

## SERIES 1280 SLIDING PATIO DOOR

TEST SIZE W x H	AAMA RATING	AIR INFILTRATION	DESIGN PRESSURE	WATER RESISTANCE	U-VALUE	SHGC	VT
123" x 95"	AW-PG50	<0.30 cfm/ft <sup>2</sup>	50 psf	10 psf	0.36-0.60	0.18-0.58	0.27-0.61

### TABLE OF CONTENT

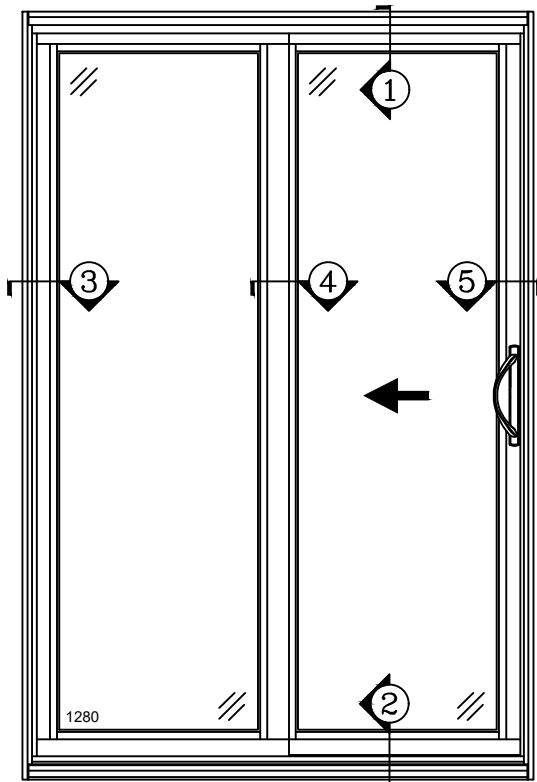
- INTRODUCTION -P1
- 2 LITE SLIDING DOOR -P2
- 3 LITE SLIDING DOOR -P3
- MULLION -P4-P5
- OPTIONAL SELECTION -P6-P7

### FEATURES

- ALUMINUM THERMAL-BREAK SLIDING PATIO DOOR
- 4-1/2" FRAME DEPTH
- DISASSEMBLED PRODUCT WITH INSTALLATION GUIDE FOR ASSEMBLY INSTRUCTION
- 1" INSULATED TEMPERED GLASS
- DOUBLE LAYER INSULATED GLASS
- HEAVY-DUTY ADJUSTABLE DUAL TANDEM STAINLESS STEEL ROLLERS
- AAMA 2604 POWDER COAT PAINT
- FIBERMESH LOCKING SCREEN

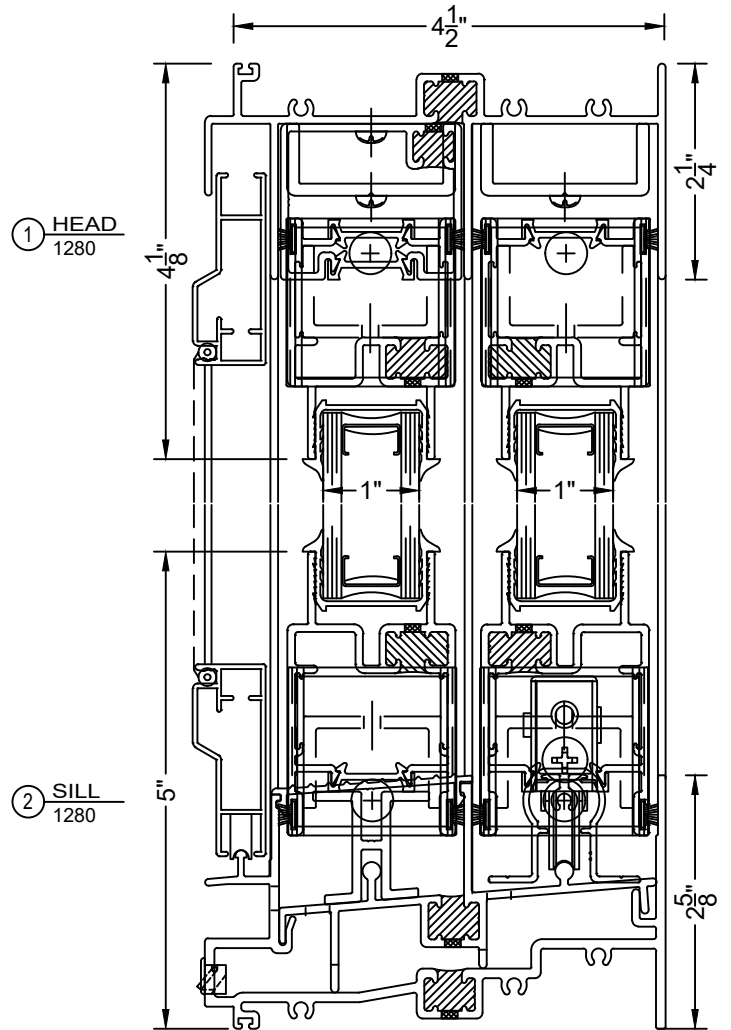
### OPTIONAL SELECTIONS

- LOW-E COATING & ARGON FILLED IGU
- 1-1/2" SLIDE ON NAILING FIN
- 3" SLIDE ON FACE FLANGE
- CUSTOM FINISH AND CUSTOM COLOR
- GRIDS
- HANDLE WITH KEY LOCK
- OTHER OPTIONAL ACCESSORIES



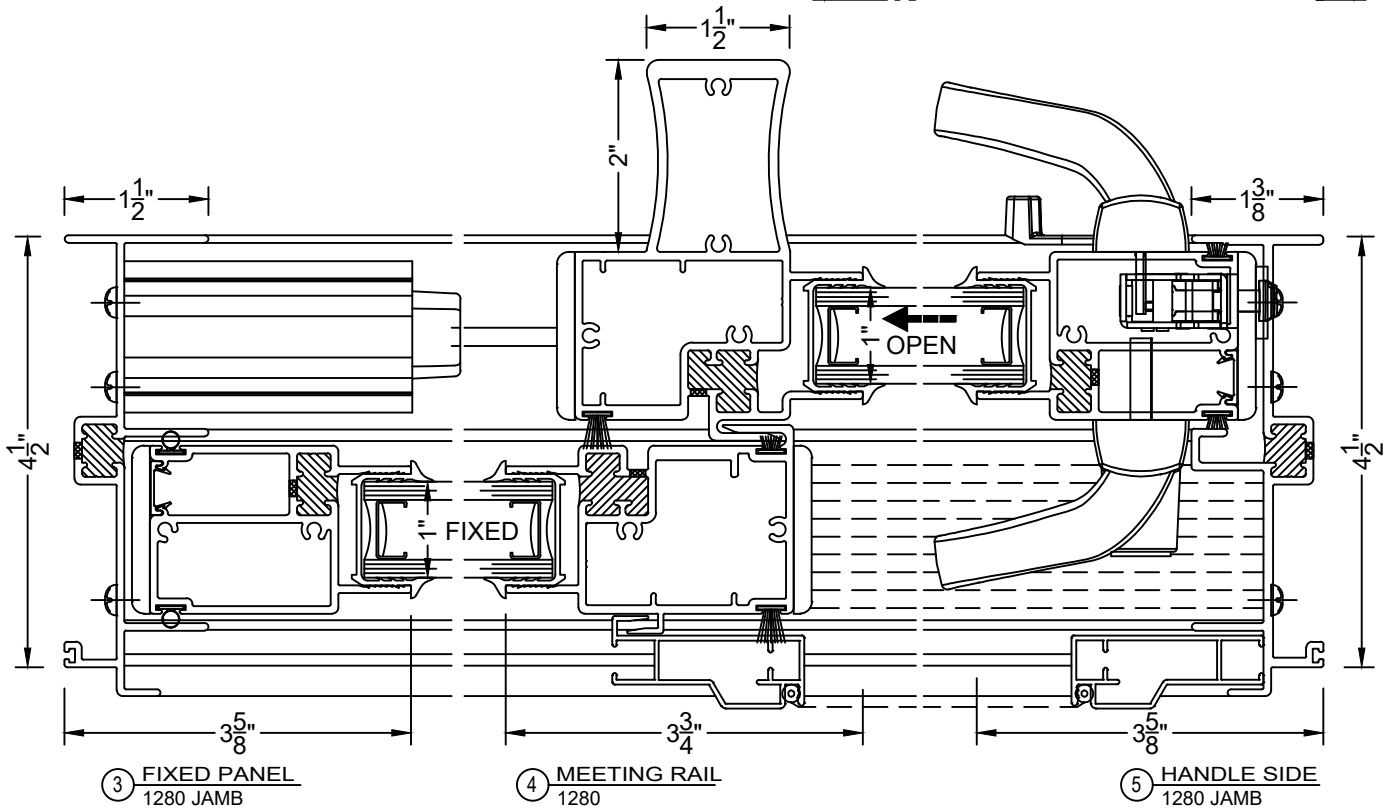
1280 2-LITE SLIDING DOOR (O-X)

FOR 32" CLEAR PATH,  
 MIN. REQUIRED 77" DOOR WIDTH  
 (CLEAR PATH = DOOR WIDTH / 2 - 6 $\frac{1}{2}$ " )



① HEAD  
1280

② SILL  
1280

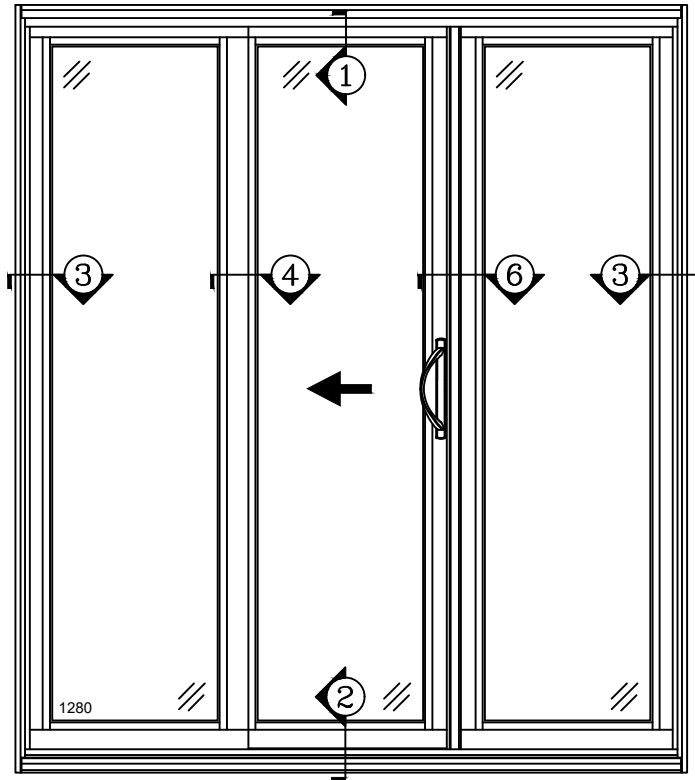


③ FIXED PANEL  
1280 JAMB

④ MEETING RAIL  
1280

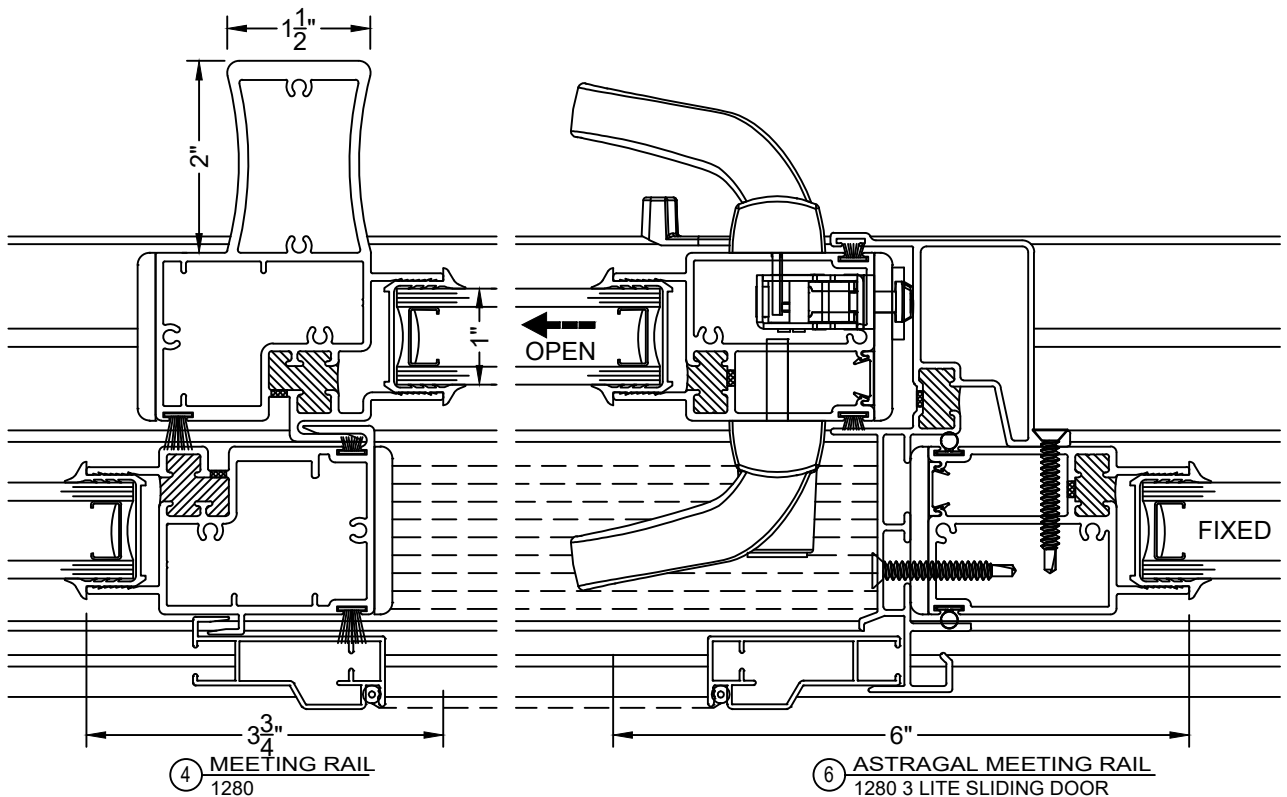
⑤ HANDLE SIDE  
1280 JAMB

VER: 2023.07

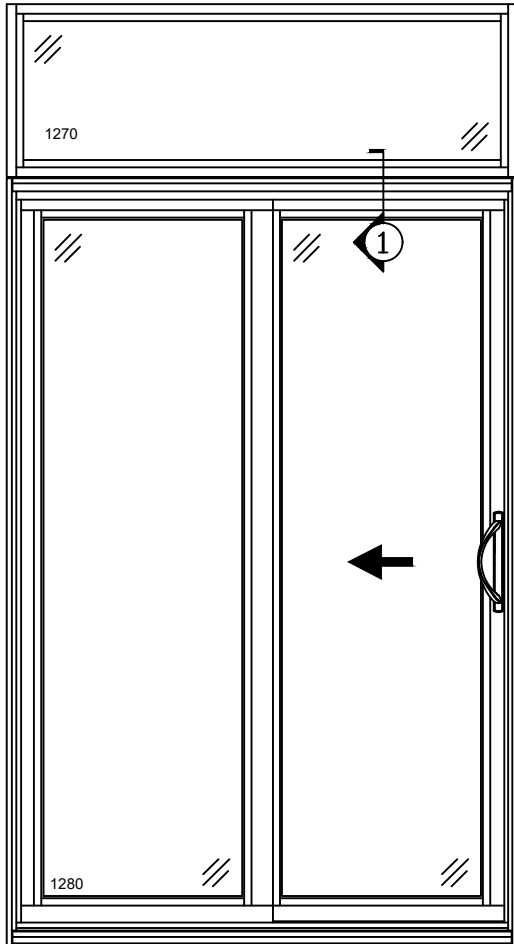


1280 3-LITE SLIDING DOOR (O-X-O)

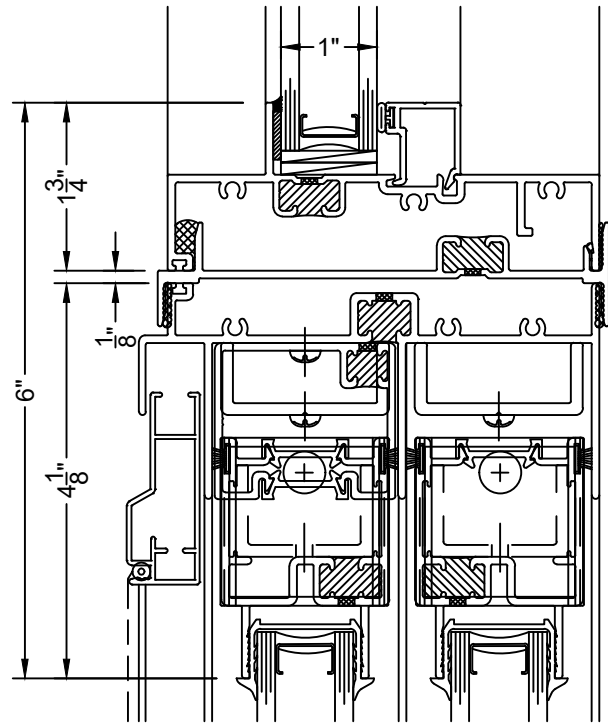
FOR 32" CLEAR PATH,  
 MIN. REQUIRED 115" DOOR WIDTH  
 (CLEAR PATH = DOOR WIDTH / 3 - 6<sup>1</sup>/<sub>4</sub>" )



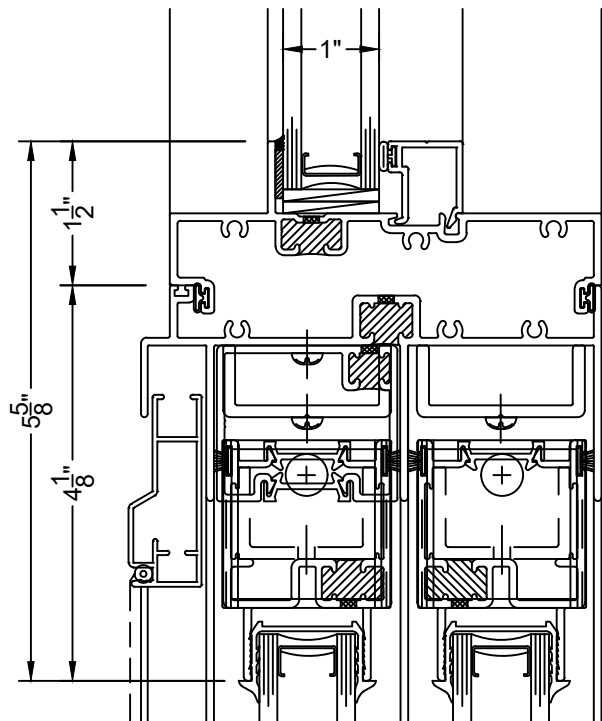
VER: 2023.07



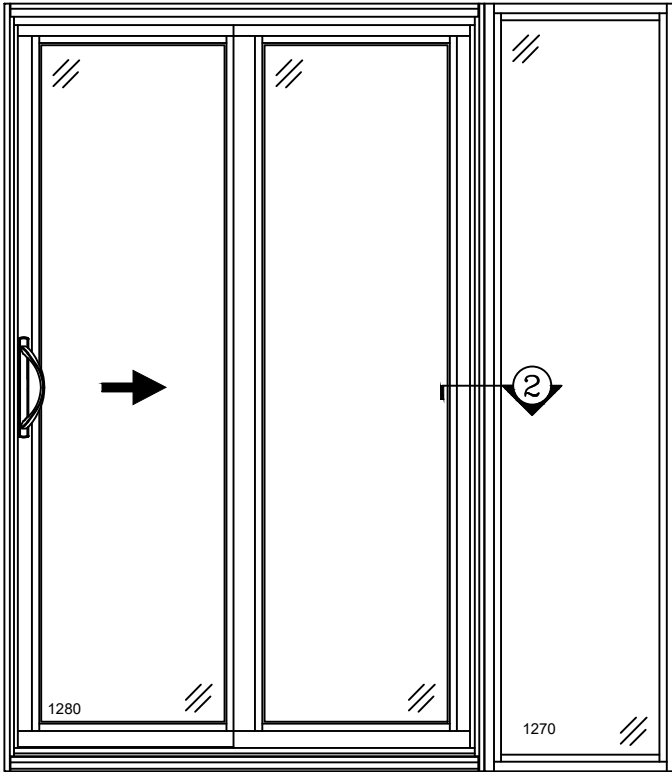
1270A TRANSOM OVER 1280



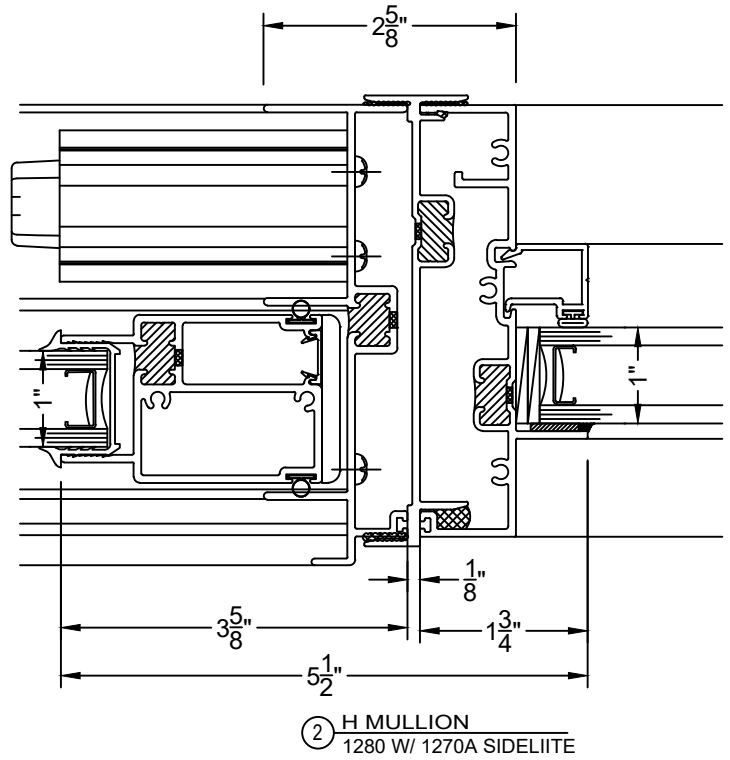
① STACK MULLION  
 1270A TRANSOM OVER 1280



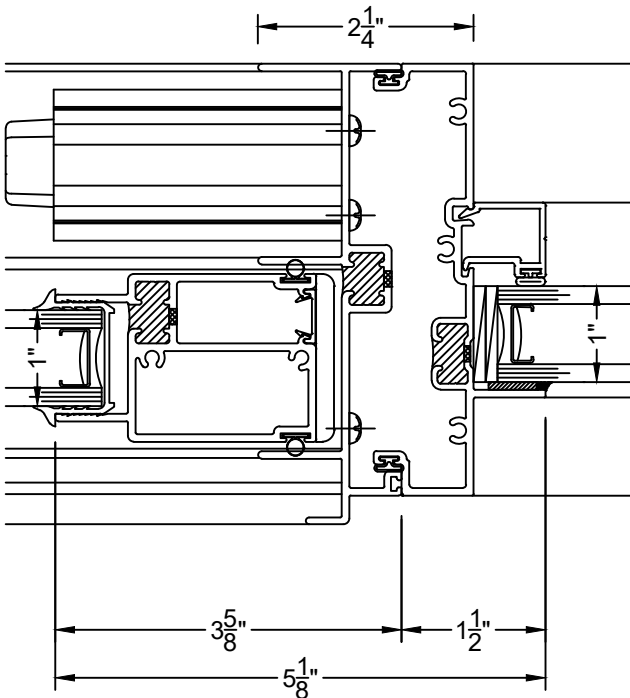
①A MALE FRAME MULLION  
 1270A TRANSOM OVER 1280



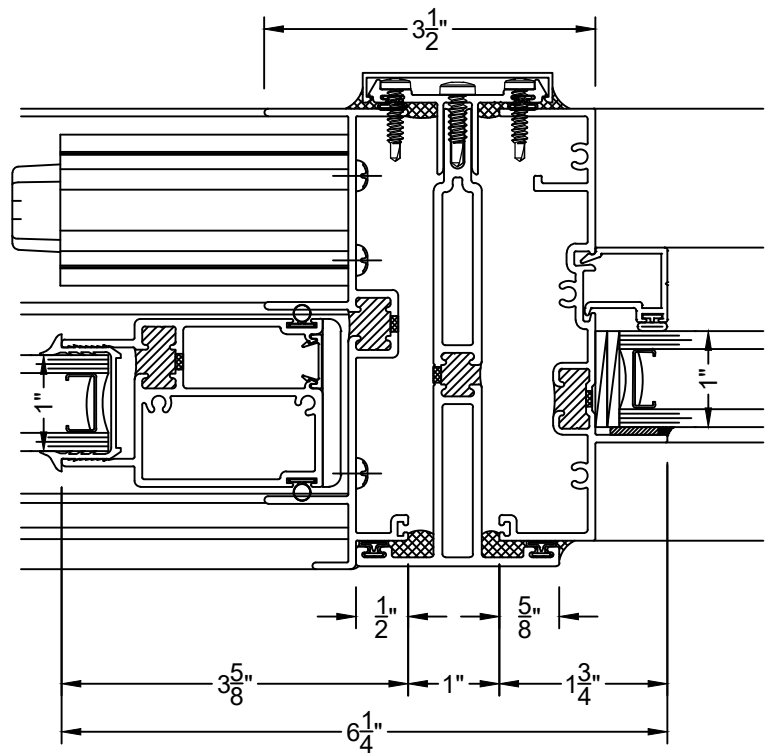
1280 W/ 1270A SIDELIITE



② H MULLION  
 1280 W/ 1270A SIDELIITE

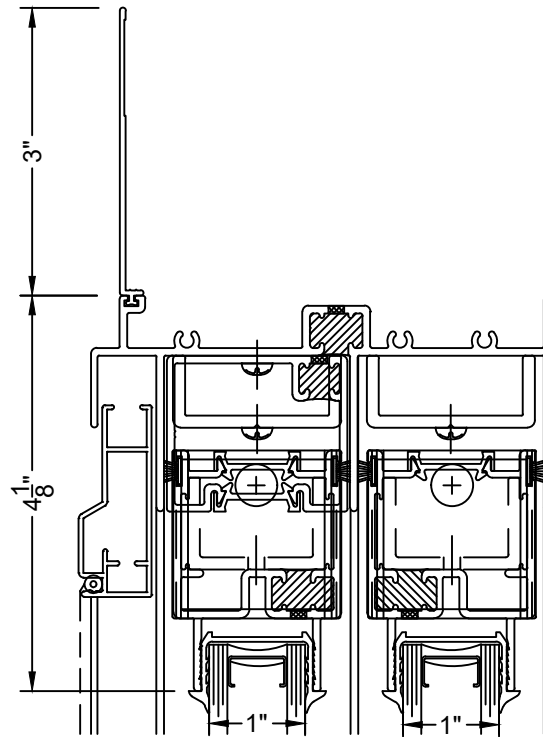


②A MALE FRAME MULLION  
 1280 W/ 1270A SIDELIITE

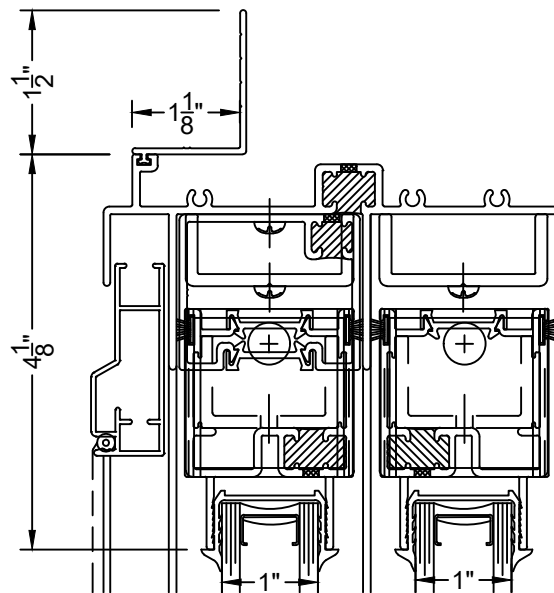


②B 3PC MULLION  
 1280 W/ 1270A SIDELIITE

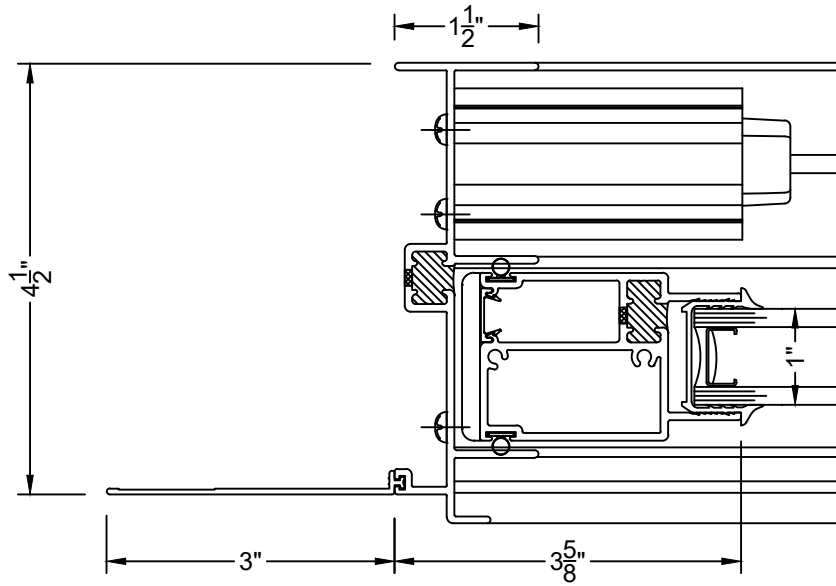
VER: 2023.07



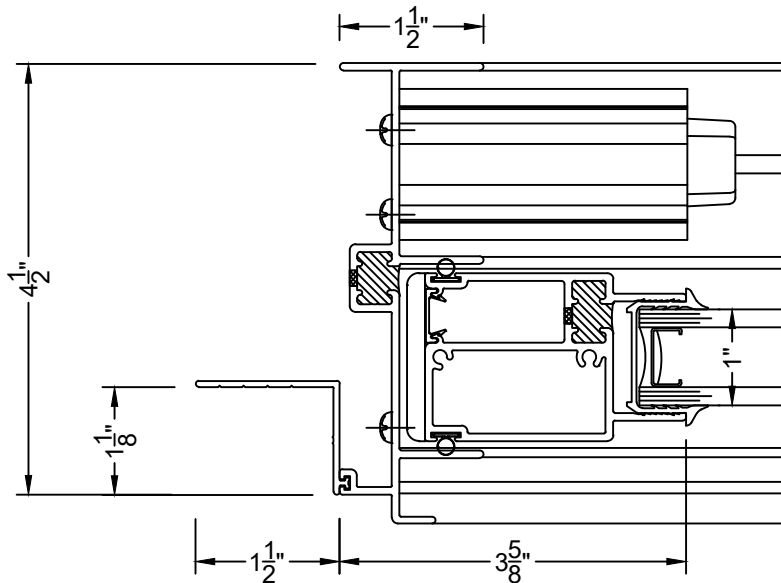
① HEAD W/ 3" SLIDE ON FLANGE  
 1280



② HEAD W/ 1-1/2" SLIDE ON NIALING FIN  
 1280



③ JAMB W/ 3" SLIDE ON FLANGE  
 1280



④ JAMB W/ 1-1/2" SLIDE ON NAILING FIN  
 1280