

SERIES 2100 FIXED WINDOWS

| TEST SIZE W x H | AAMA RATING | AIR INFILTRATION | DESIGN PRESSURE | WATER RESISTANCE | U- FACTOR | SHGC | VT |
|--|----------------|---------------------------|--------------------|---------------------|--------------|-----------|-----------|
| 60" x 72" | CW-PG65 | ≤0.10 cfm/ft ² | 65 psf | 9.75 psf | 0.30-0.54 | 0.22-0.70 | 0.37-0.72 |
| 48 ¹ / ₂ " x 84" | CW-PG90 | ≤0.10 cfm/ft ² | 90 psf | 12psf | | | |



TABLE OF CONTENT

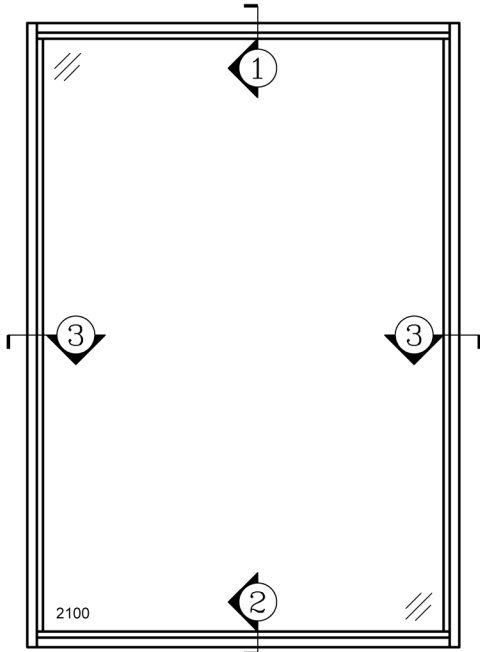
- INTRODUCTION -P1
- SECTION DETAILS -P2
- MULLION -P3-P4
- NAILING FIN -P5
- FACE FLANGE -P6-P8
- ARCHITECTURAL SHAPE -P9

FEATURES

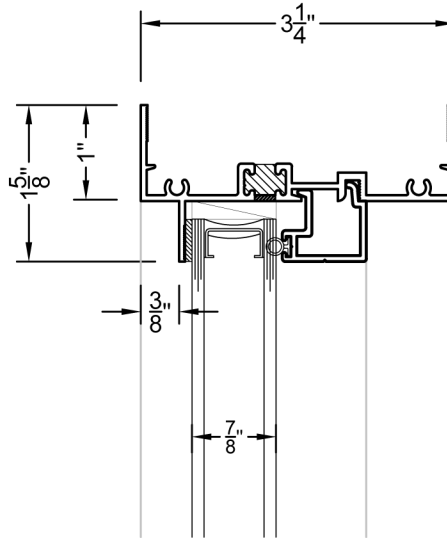
- ALUMINUM THERMAL-BREAK FIXED WINDOW
- 3-1/4" FRAME DEPTH
- 7/8" DOUBLE PANE INSULATED GLASS
- AAMA 2604 POWDER COAT PAINT

OPTIONAL SELECTIONS

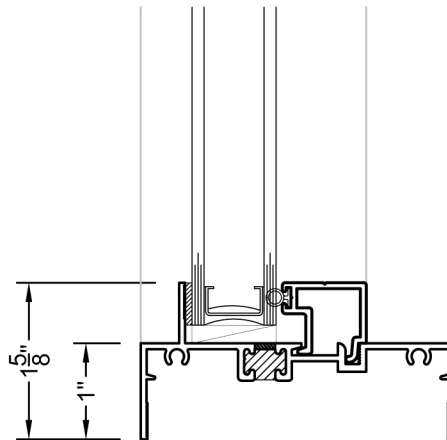
- LOW-E COATING & ARGON FILLED IGU
- 1" INSULATED GLASS
- 1-1/4" NAILING FIN (1-1/8" SETBACK)
- FACE FLANGE WITH VARIOUS SIZE
- CUSTOM FINISH AND CUSTOM COLOR
- GRIDS
- LOUVER SYSTEM
- ARCHITECTURAL SHAPES
- OTHER OPTIONAL ACCESSORIES



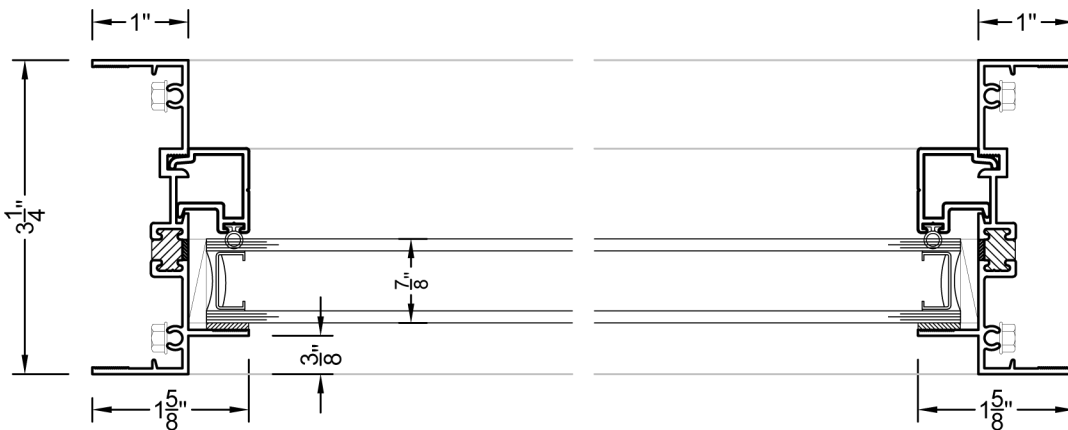
2100 PICTURE WINDOW



① HEAD
PW2100

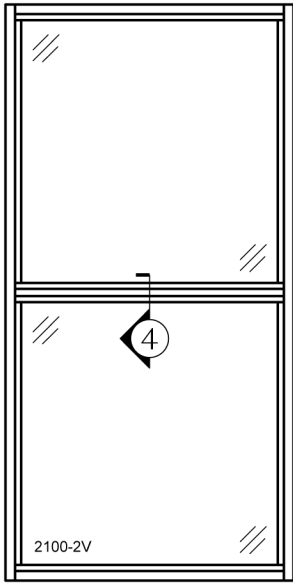


② SILL
PW2100

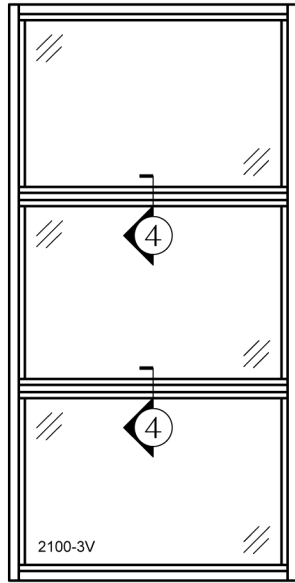


③ JAMB
PW2100

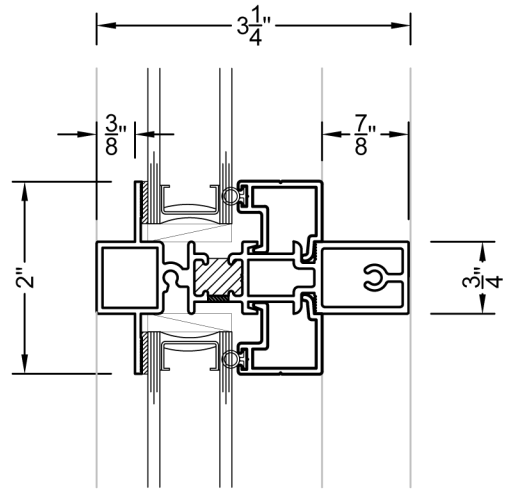
③ JAMB
PW2100



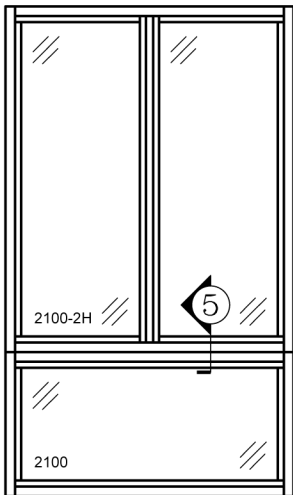
PW2100-2V VERTICAL 2 LITE



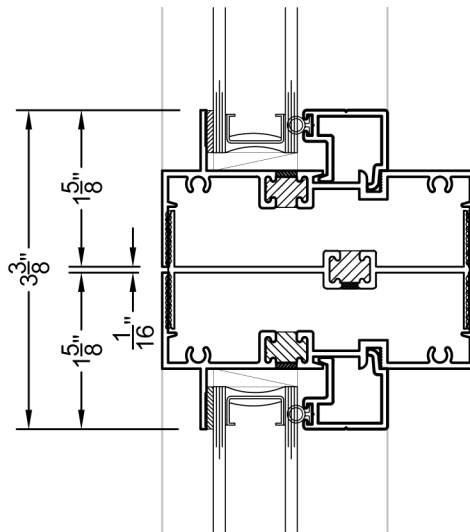
PW2100-3V VERTICAL 3 LITE



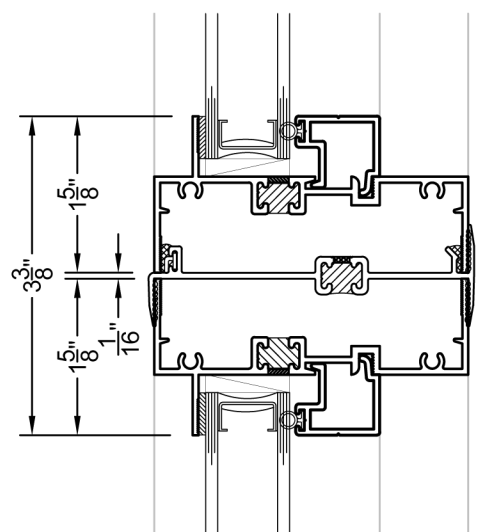
④ T IMPOST
 PW2100



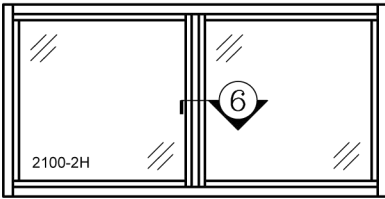
PW2100-2H OVER PW2100



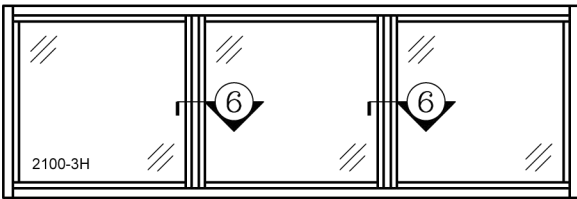
⑤ H MULLION
 PW2100 OVER PW2100



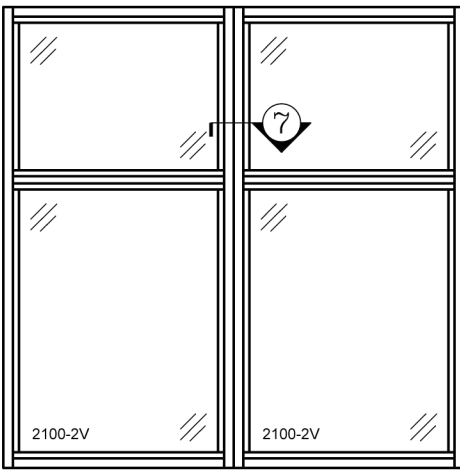
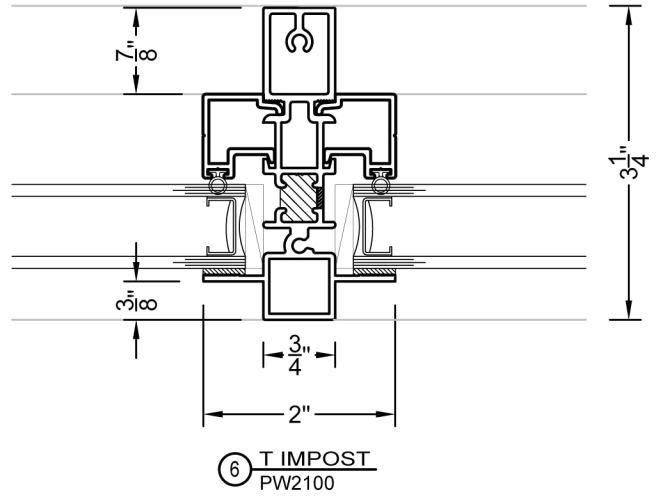
⑤A STACK MULLION
 PW2100 OVER PW2100



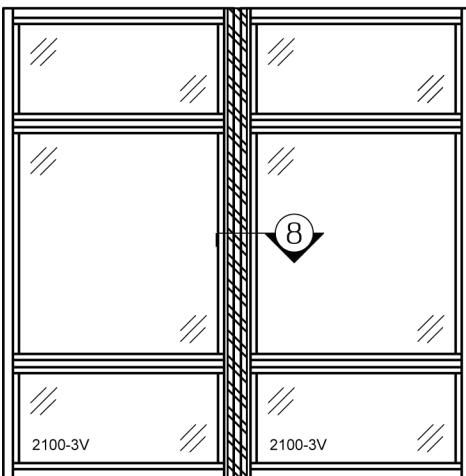
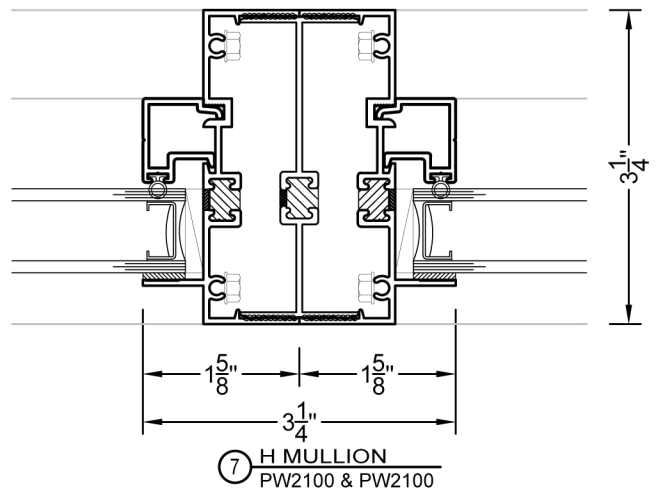
PW2100-2H HORIZONTAL 2 LITE



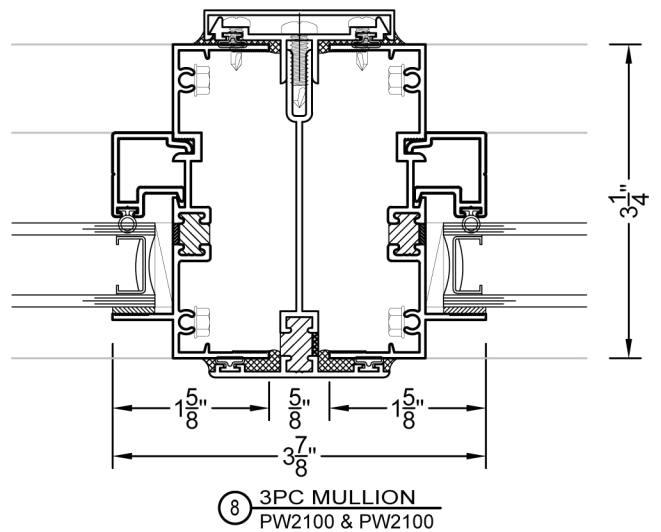
PW2100-3H HORIZONTAL 3 LITE



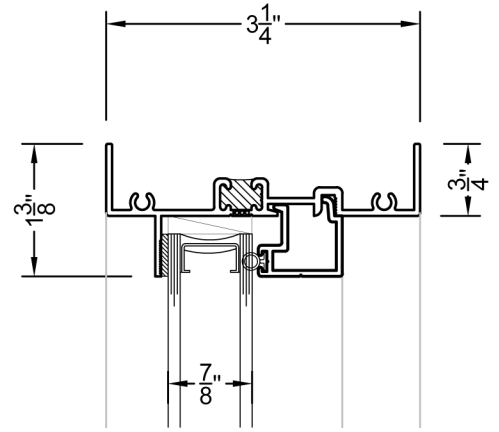
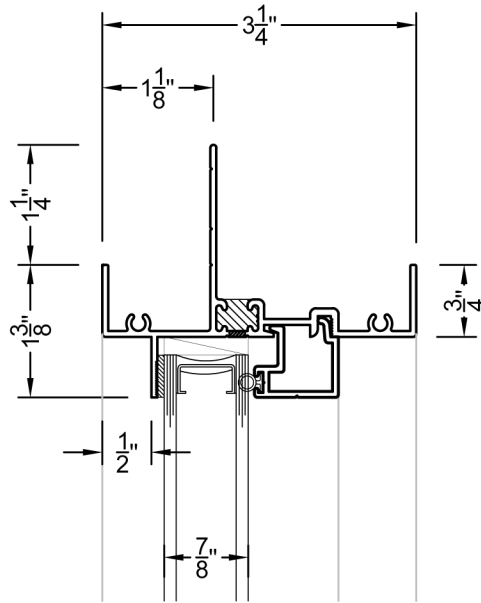
PW2100-2V & PW2100-2V WITH
 H MULLION



PW2100-3V & PW2100-3V WITH 3PC
 MULLION

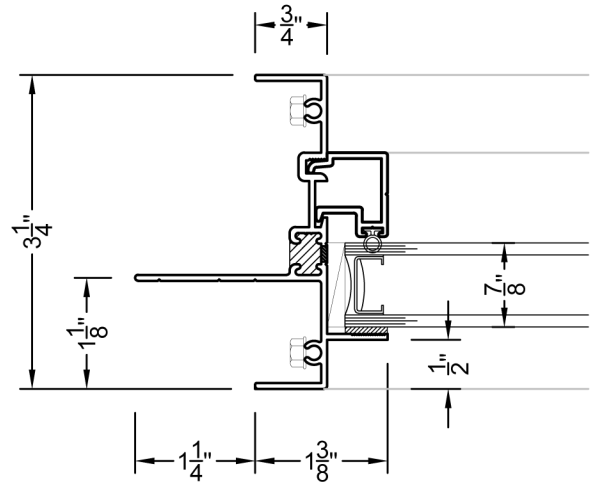
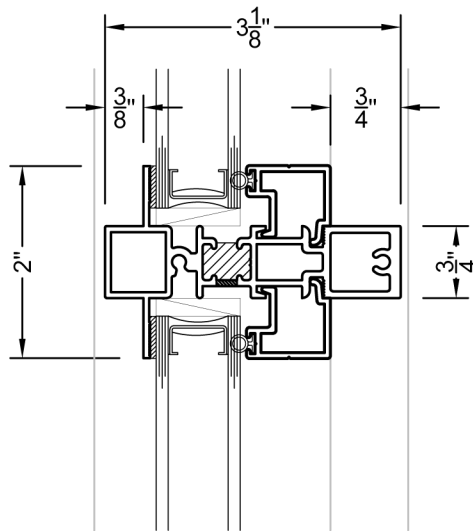


① NAILING FIN HEAD
 PW2100N



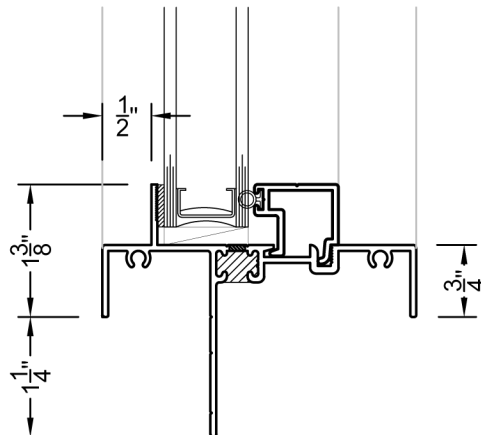
①A NAILING FRAME W/O FIN
 PW2100N

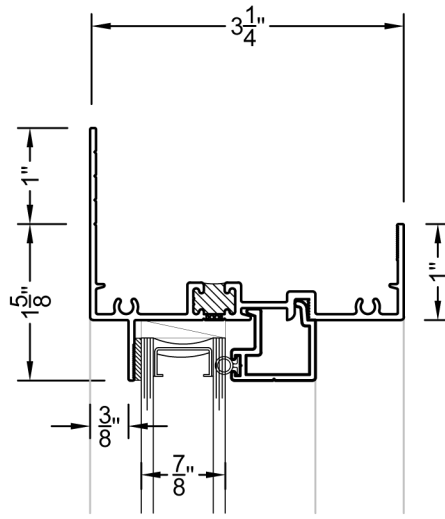
② T IMPOST
 PW2100N



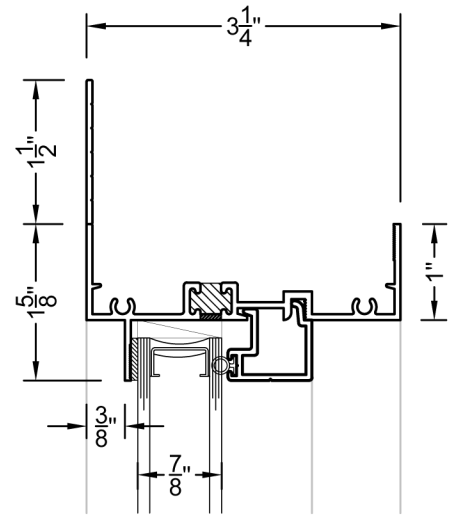
④ NAILING FIN JAMB
 PW2100N

③ NAILING FIN SILL
 PW2100N

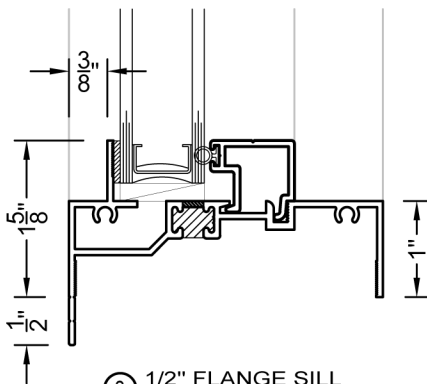




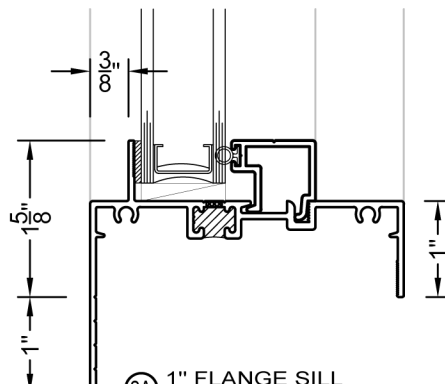
1A 1" FLANGE HEAD
PW2100



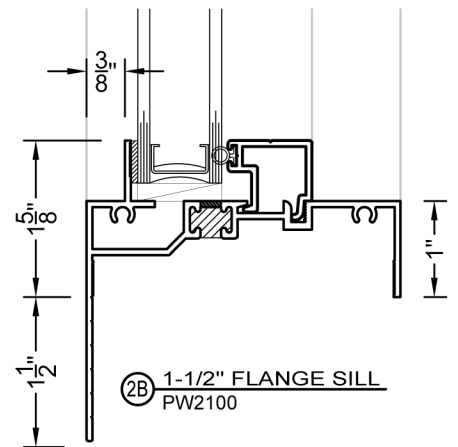
1B 1-1/2" FLANGE HEAD
PW2100



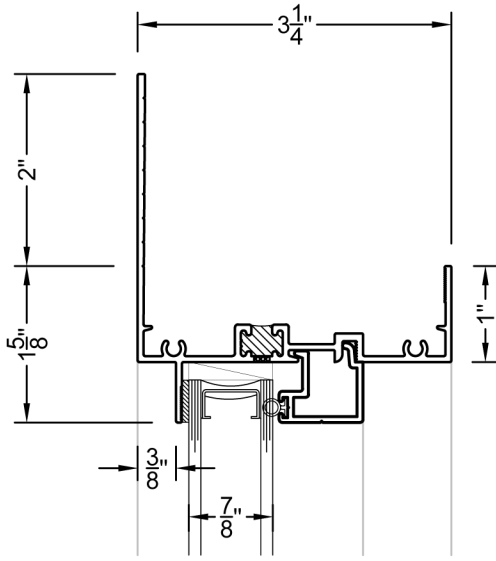
2 1/2" FLANGE SILL
PW2100



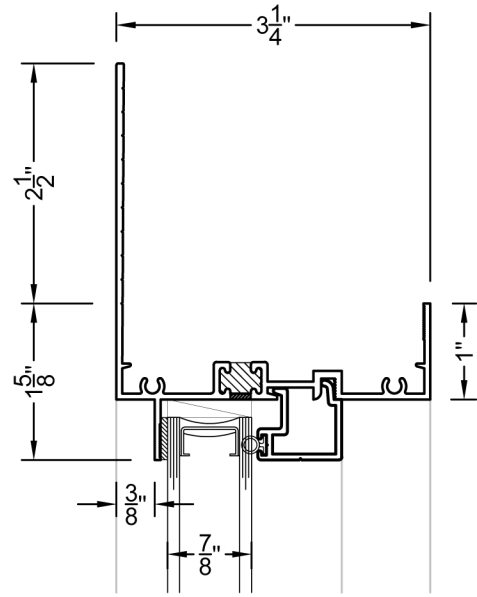
2A 1" FLANGE SILL
PW2100



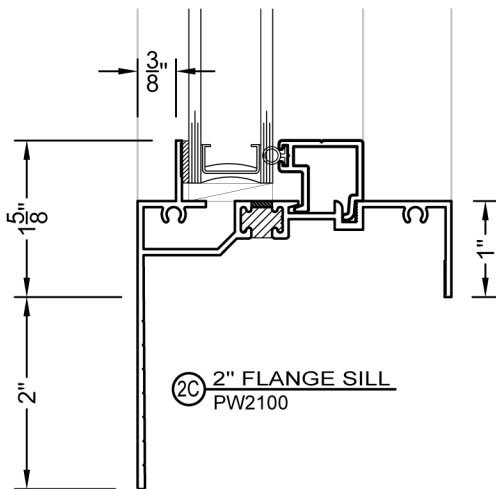
2B 1-1/2" FLANGE SILL
PW2100



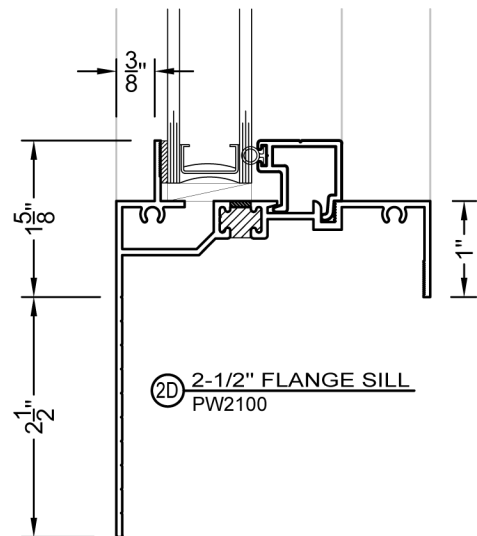
①C 2" FLANGE HEAD
PW2100



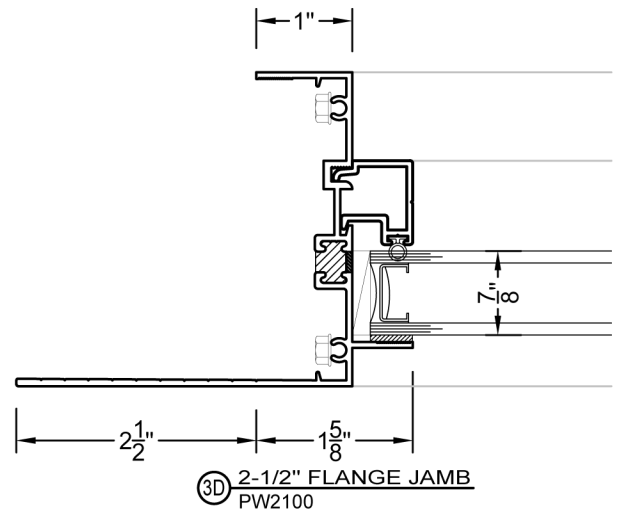
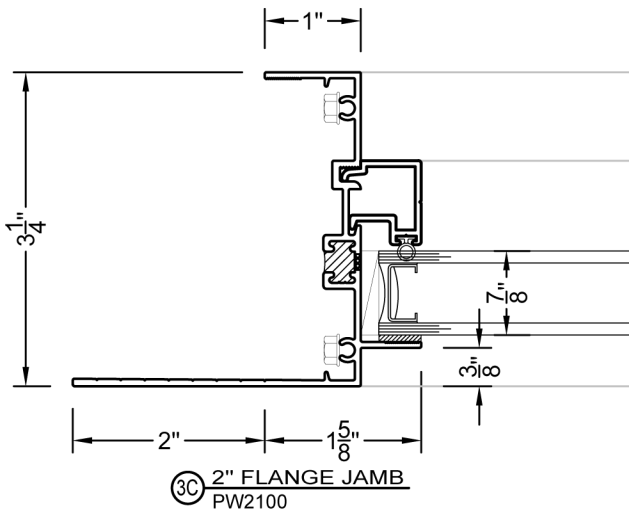
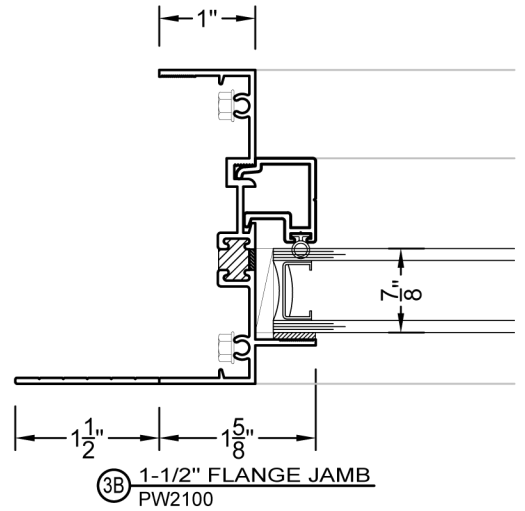
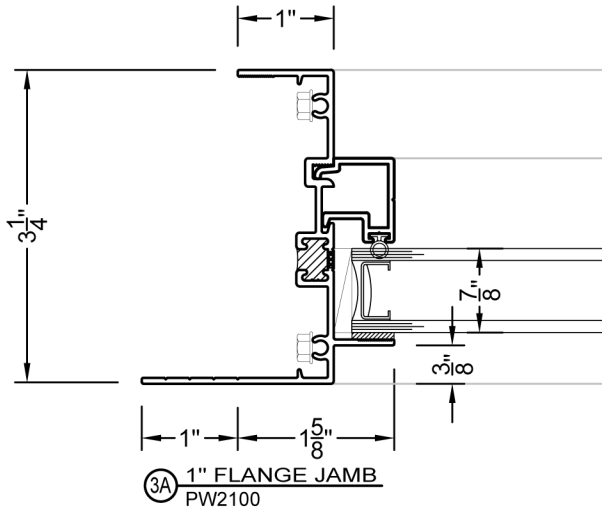
①D 2-1/2" FLANGE HEAD
PW2100

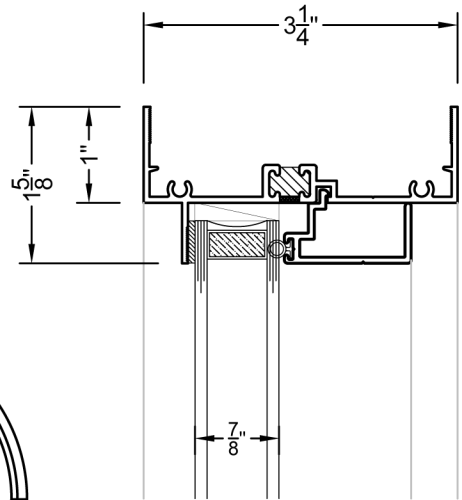
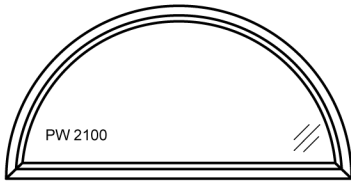


②C 2" FLANGE SILL
PW2100

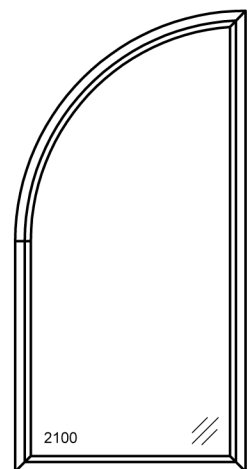
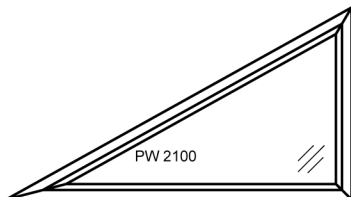
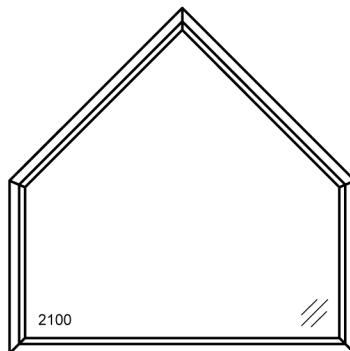
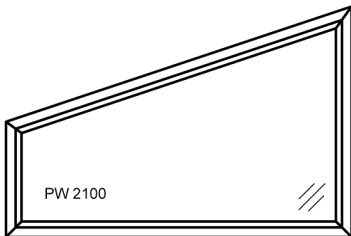
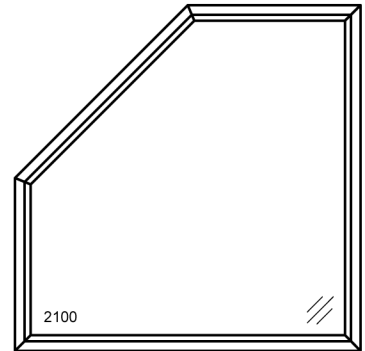
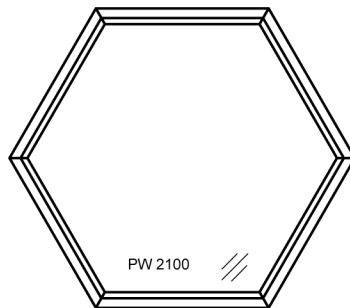
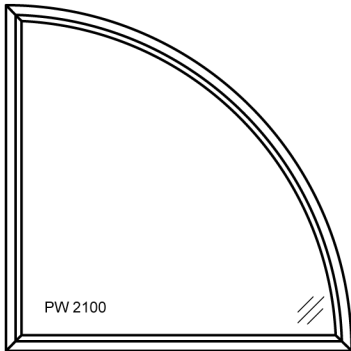
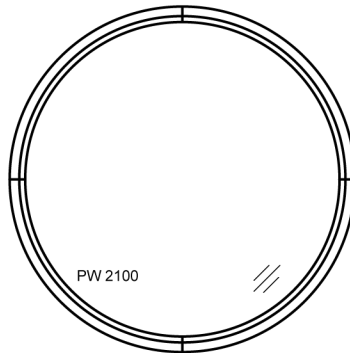
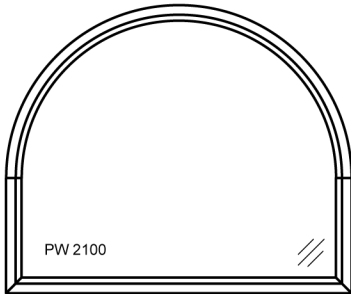


②D 2-1/2" FLANGE SILL
PW2100





① ARCHITECTURAL SHAPE
 PW2100



VER: 2020.03