

VINYL SERIES 220 3¹/₄" SLIDER WINDOWS

TEST SIZE W x H	AAMA RATING	AIR INFILTRATION	DESIGN PRESSURE	WATER RESISTANCE	U-VALUE	SHGC	VT
63" x 44"	R-PG35	≤0.30 cfm/ft ²	35 psf	5.25 psf	0.17-0.46	0.16-0.58	0.30-0.61



TABLE OF CONTENT

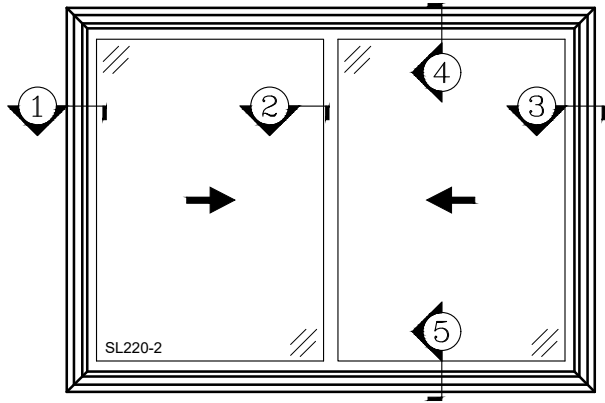
- INTRODUCTION -P1
- TWO LITE SLIDER -P2
- THREE LITE SLIDER -P3
- MULLION -P4

FEATURES

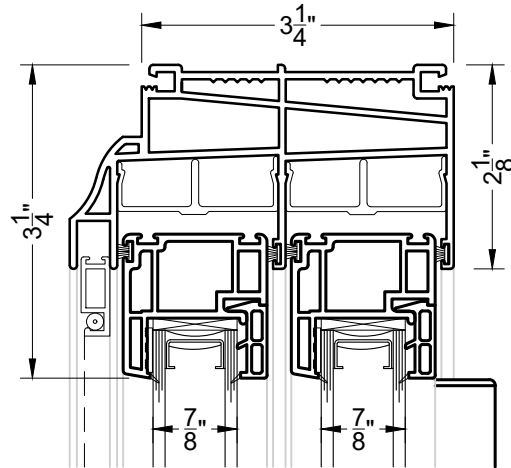
- 3-1/4" FRAME DEPTH
- 7/8" INSULATED GLASS
- SOFT COAT LOW-E & ARGON FILLED IGU
- CORROSION-RESISTANT TWO-WHEEL DUEL ADJUSTING BRASS ROLLERS
- FUSION WELDED FRAME & SASHES
- REMOVABLE SASHES - SAFE, EASY CLEANING OF BOTH SASHES
- DOUBLE-SEAL WEATHERSTRIPPING
- STRONG MULTI-CHAMBER CONSTRUCTION

OPTIONAL SELECTIONS

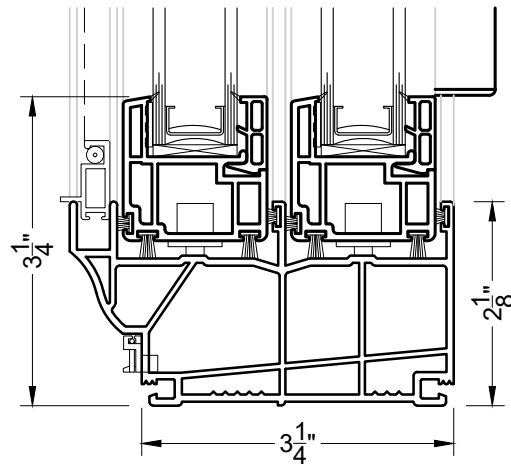
- TRIPLE-GLAZED INSULATED GLASS UNIT
- PERFORMA TC™ HIGH PERFORMANCE LOW-E UPDRAGE
- BETWEEN THE GLASS OR EXTERIOR APPLIED GRIDS
- EXTRUDED BEIGE COLOR
- PAINTED EXTERIOR CUSTOM COLOR
- NAILING FIN ATTACHMENT
- SNAP-ON J-CHANNEL



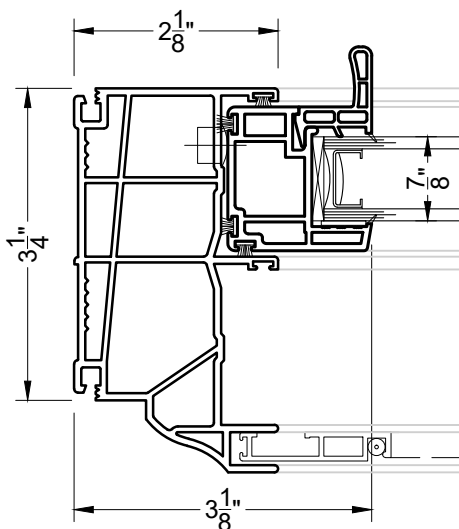
220-2 TWO-LITE SLIDER



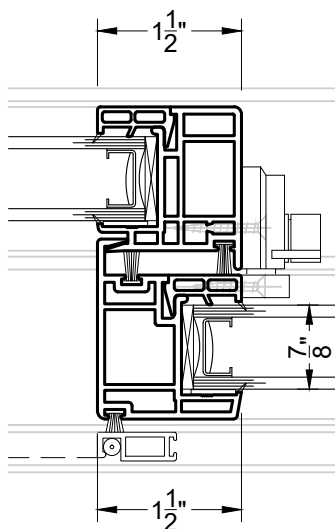
④ HEAD
SL220



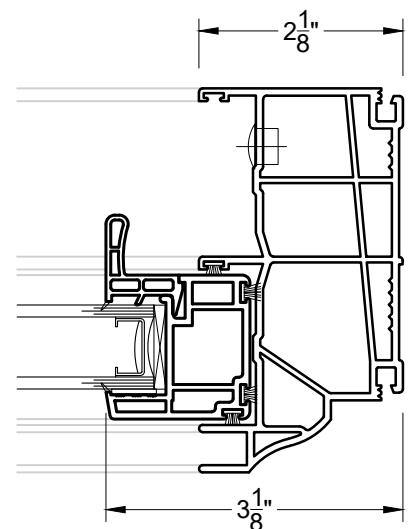
⑤ SILL
SL220



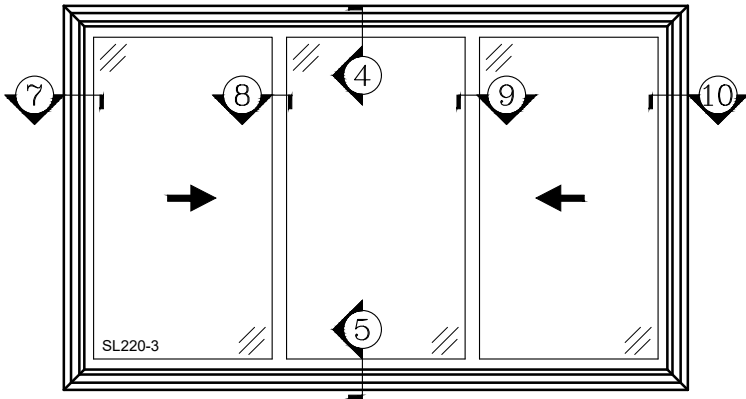
① LEFT JAMB
SL220



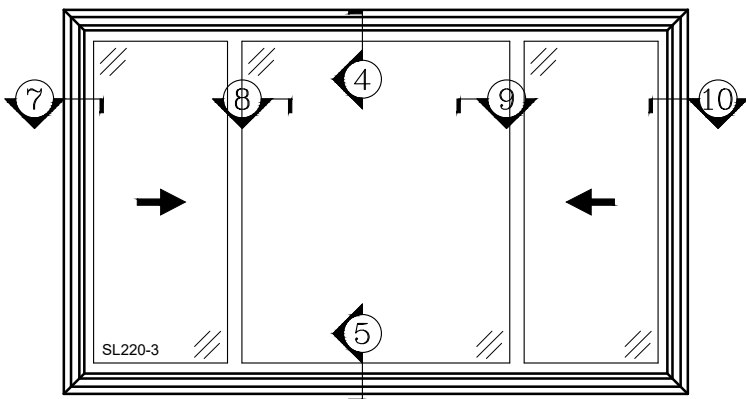
② METING RAIL
SL220



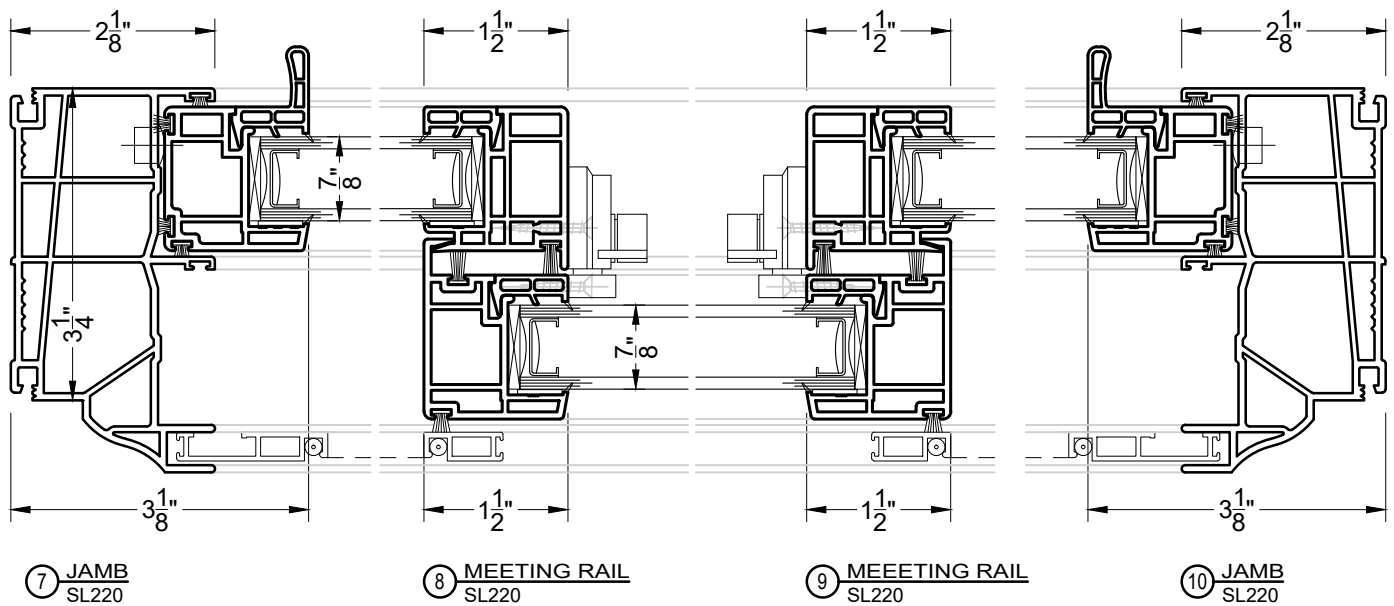
③ RIGHT JAMB
SL220



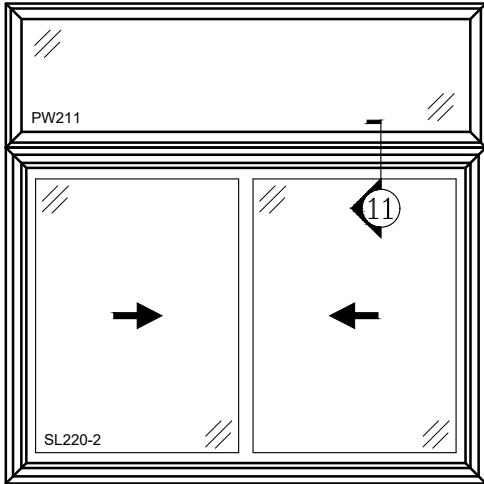
220-3 THREE-LITE SLIDER X-O-X
 (EQUAL 1/3, 1/3, 1/3)



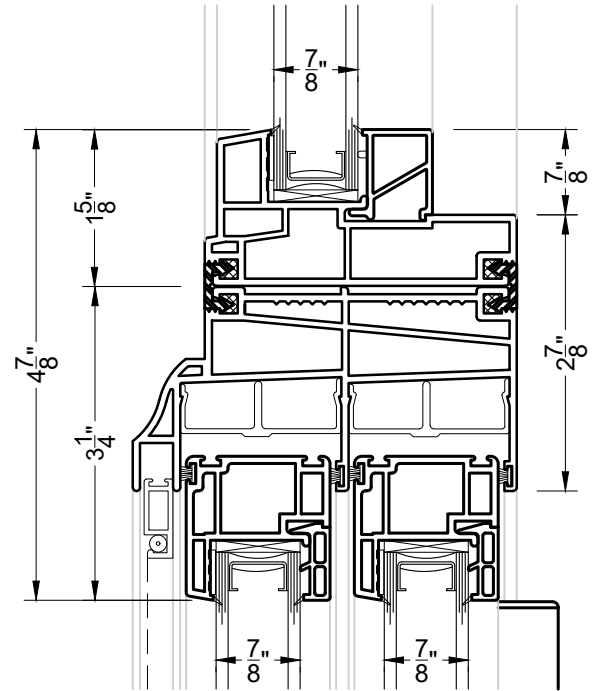
220-3 THREE-LITE SLIDER X-O-X
 (UNEQUAL)



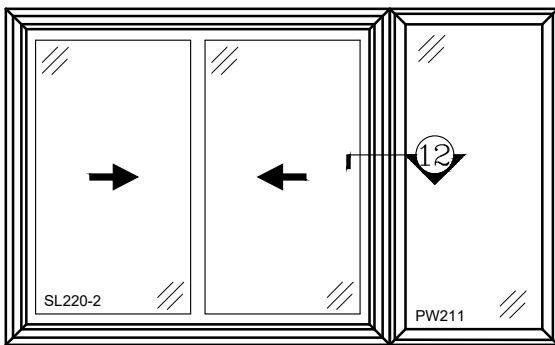
VER: 2020.08



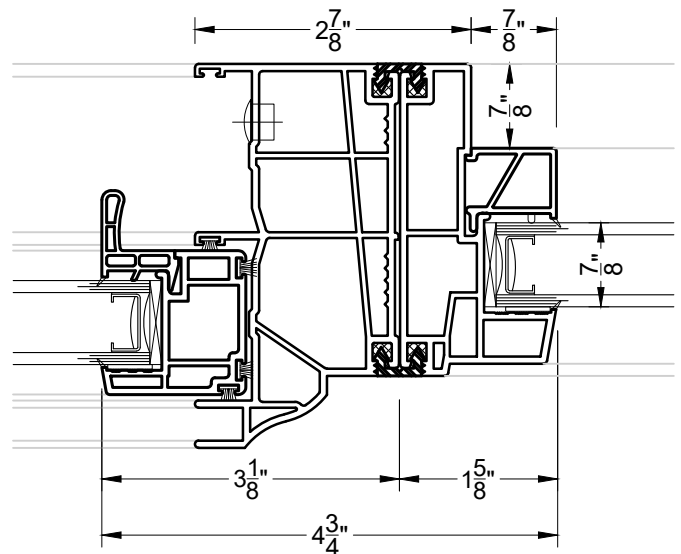
PW211 OVER 220-2 TWO-LITE SLIDER



11 0 DEGREE MULLION
 PW211 OVER SL220



220-2 TWO-LITE SLIDER & PW211



12 0 DEGREE MULLION
 SL220 & PW211