

VINYL SERIES 235 PROJECTED WINDOWS

TEST SIZE W x H	AAMA RATING	AIR INFILTRATION	DESIGN PRESSURE	WATER RESISTANCE	U-VALUE	SHGC	VT
32" x 60"	LC-PG50	≤0.30 cfm/ft ²	50 psf	6 psf	0.21-0.41	0.16-0.51	0.29-0.52



TABLE OF CONTENT

- INTRODUCTION -P1
- SECTION DETAILS -P2
- MULLION -P3-P4

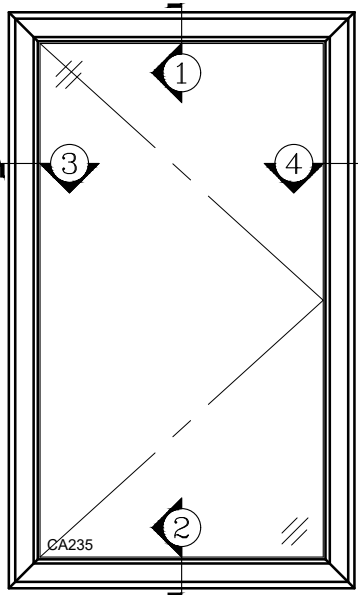


FEATURES

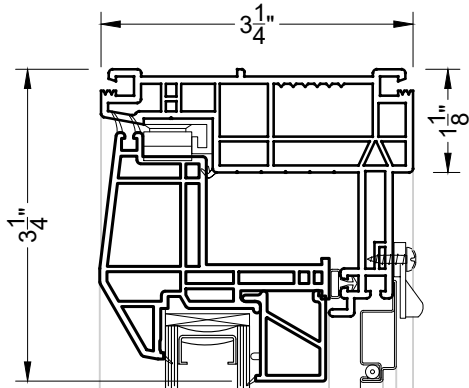
- 3 1/4' FRAME DEPTH
- 7/8" INSULATED GLASS
- SOFT COAT LOW-E & ARGON FILLED IGU
- STAINLESS STEEL HINGES
- ROTO TYPE OPERATOR
- FUSION WELDED FRAME & SASHES
- STRONG MULTI-CHAMBER CONSTRUCTION
- DESIGNER BEVELED SASH
- CONTINUOUS POLYETHYLENE RIGID SEAL

OPTIONAL SELECTIONS

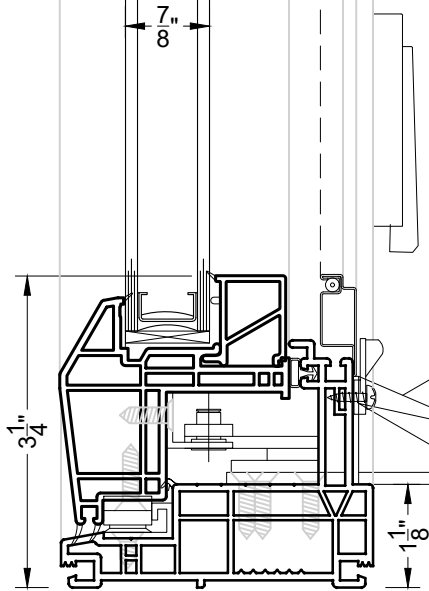
- TRIPLE-GLAZED INSULATED GLASS UNIT
- PERFORMA TC™ HIGH PERFORMANCE LOW-E UPGRADE
- BETWEEN THE GLASS OR EXTERIOR APPLIED GRIDS
- PAINTED EXTERIOR CUSTOM COLOR
- EXTRUDED BEIGE COLOR
- NAILING FIN ATTACHMENT
- SNAP-ON J-CHANNEL



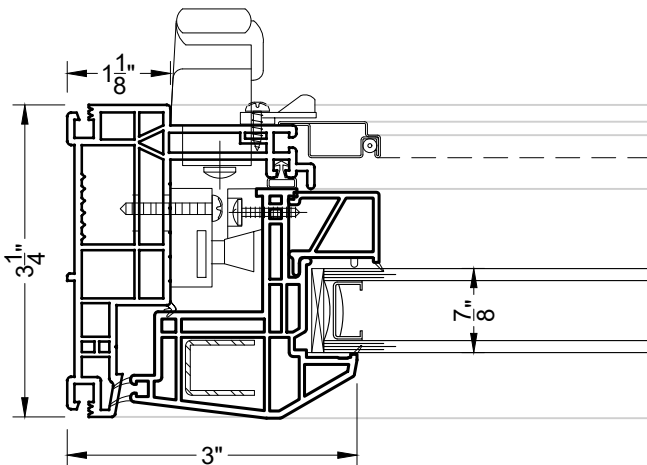
235 OUT-SWING
 CASEMENT



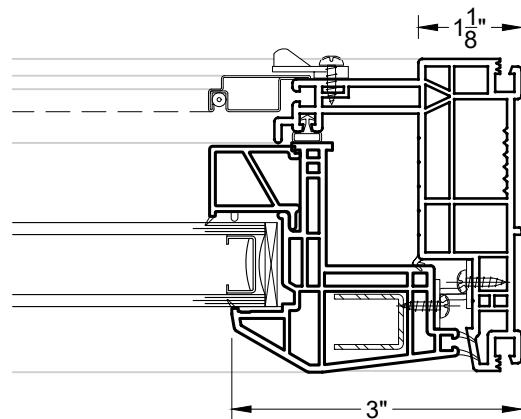
① HEAD
 CA235



② SILL
 CA235

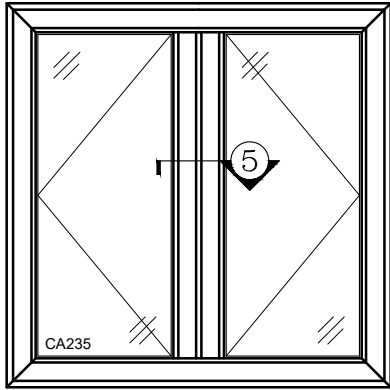


③ JAMB
 CA235

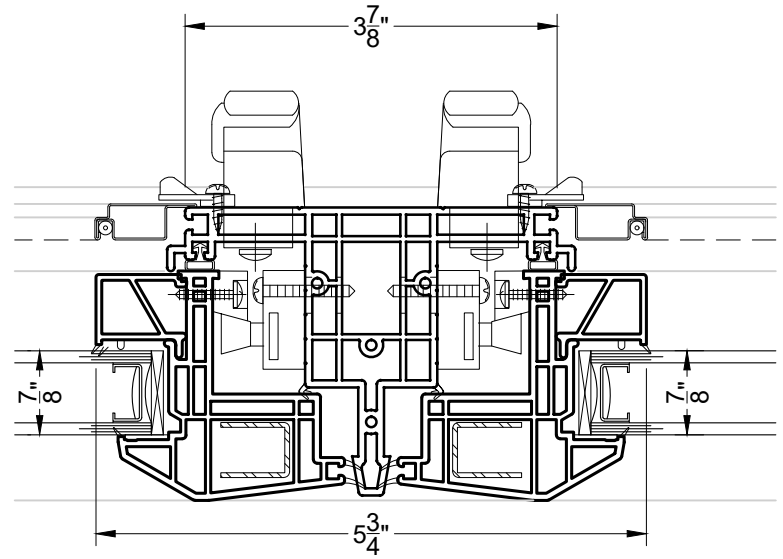


④ JAMB
 CA235

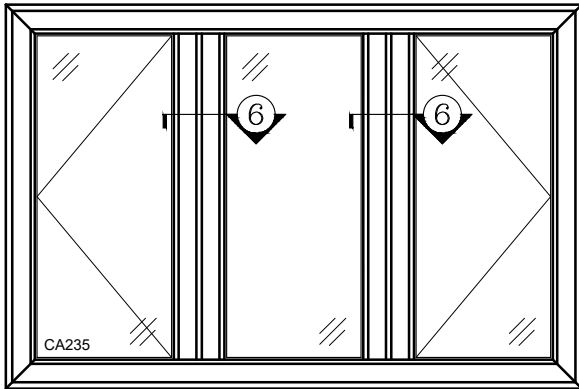
VER: 2020.08



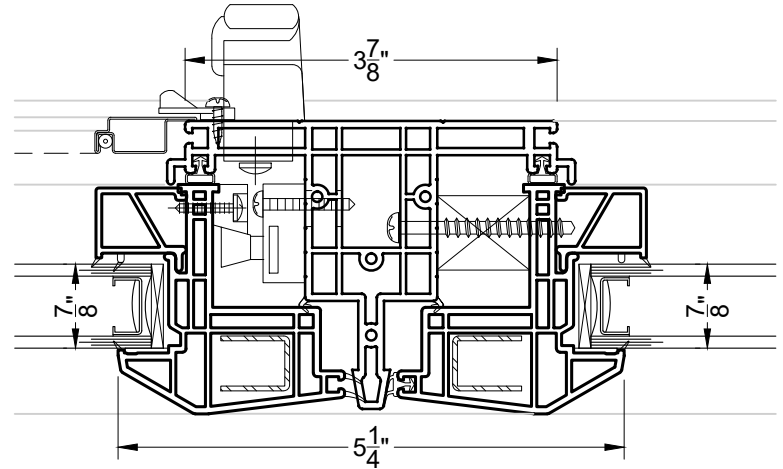
235 TWIN CASEMENT



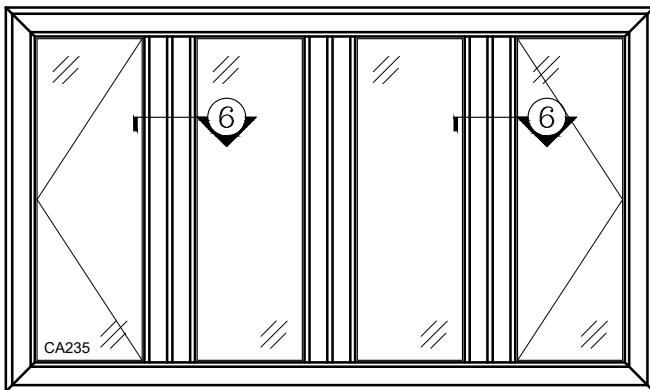
⑤ T JAMB MULLION
 CA235 & CA235



235 CASEMENT CONTINUOUS MASTER FRAME
 THREE LITE

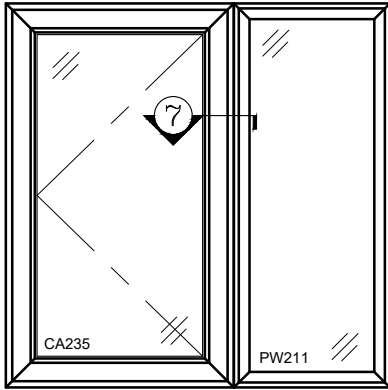


⑥ T JAMB MULLION
 CA235 & FIXED

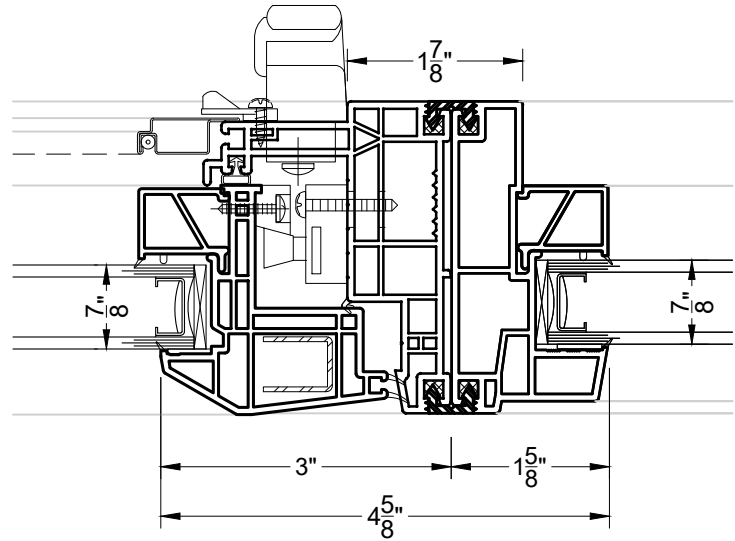


235 CASEMENT CONTINUOUS MASTER FRAME
 FOUR LITE (UP TO FIVE LITE)

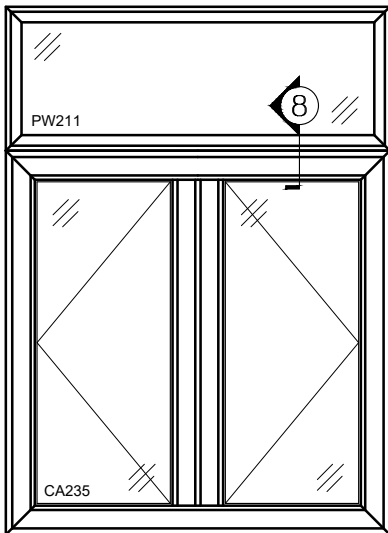
VER: 2020.08



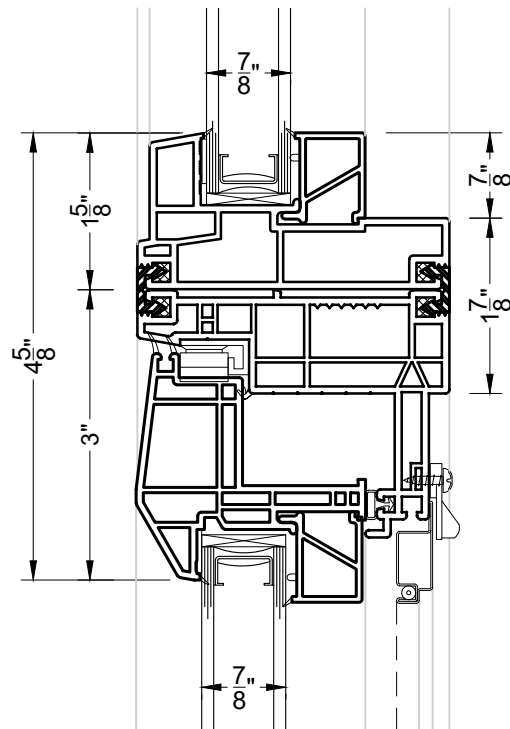
235 OUT-SWING CASEMENT
 WITH PICTURE WINDOW 211



⑦ 0 DEGREE MULLION
 CA235 & PW211



PICTURE WINDOW 211
 OVER 235 CASEMENT



⑧ 0 DEGREE MULLION
 PW211 OVER CA235