

## SERIES 300 SINGLE HUNG WINDOW

TEST SIZE W x H	AAMA RATING	AIR INFILTRATION	DESIGN PRESSURE	WATER RESISTANCE	U-VALUE	SHGC	VT
39.5" x 63"	R-PG25	≤30 cfm/ft <sup>2</sup>	25 psf	3.75 psf	0.24-0.48	0.19-0.63	0.37-0.65



### TABLE OF CONTENT

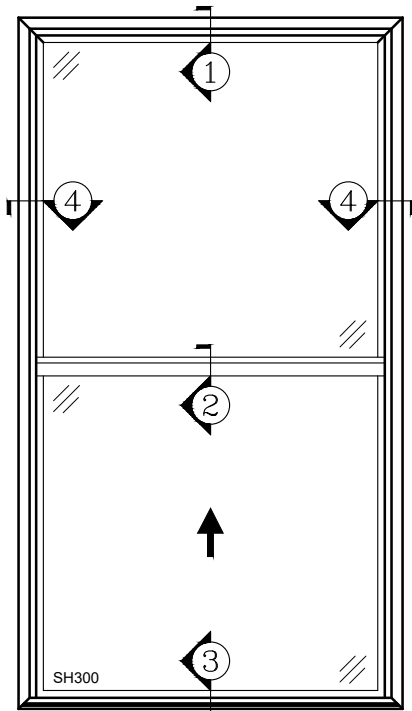
- INTRODUCTION -P1
- SECTION DETAILS -P2
- REPLACEMENT FRAME -P3
- MULLION -P3-P4

### FEATURES

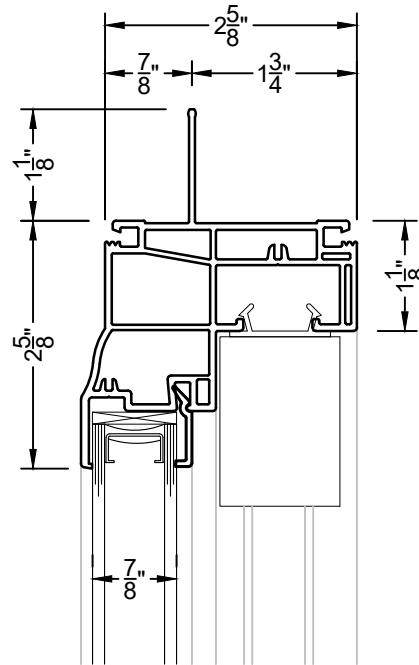
- 2-5/8" FRAME DEPTH
- 7/8" INSULATED GLASS
- SINGLE STRENGTH GLASS
- MEETING RAIL LOCK
- TILT SASH WITH TILT LATCH
- CONTINUOUS LIFT HANDLE ON BOTTOM SASH
- SLOPED SILL
- CONSTANT FORCE COIL BALANCE
- DOUBLE-SEAL WEATHERSTRIPPING
- SEALED UPPER SASH
- INTEGRAL NAILING FIN

### OPTIONAL SELECTIONS

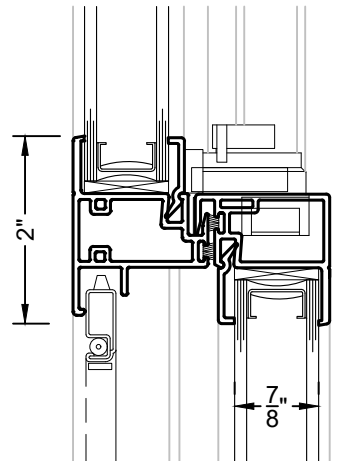
- LOW-E COATING & ARGON FILLED IGU
- CUSTOM FINISH AND CUSTOM COLORS
- SPIRAL OR BLOCK & TACKLE BALANCE
- HALF SCREEN
- LIMIT STOPS
- INSTALLATION SCREWS
- GRIDS
- DUAL VENT LOCK
- OTHER OPTIONAL ACCESSORIES



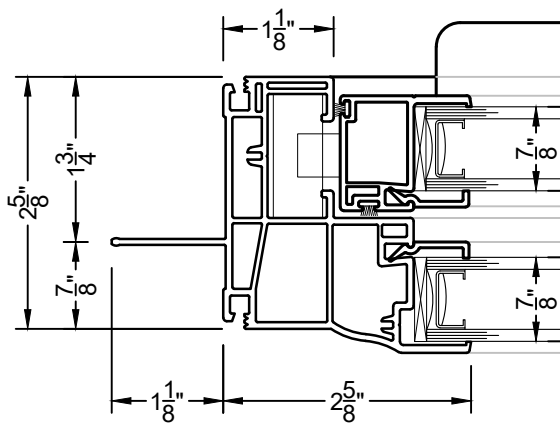
300 SINGLE HUNG



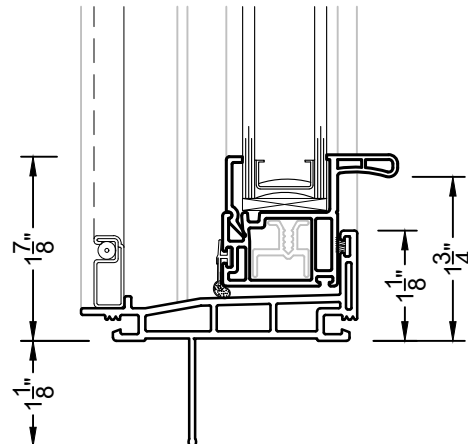
① HEAD  
SH300



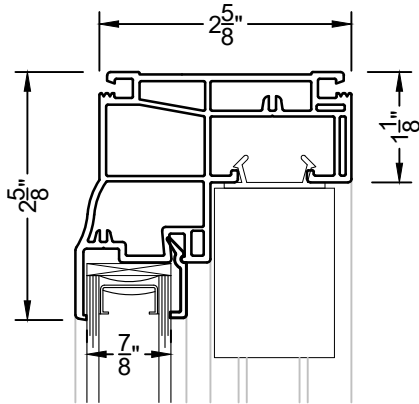
② MEETING RAIL  
SH300



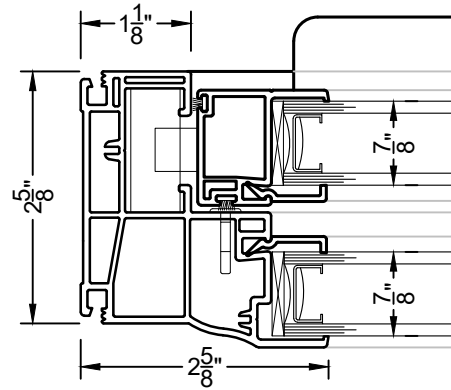
④ JAMB  
SH300



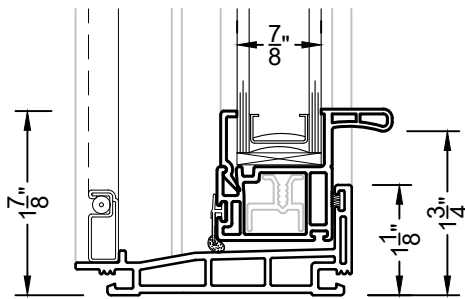
③ SILL  
SH300



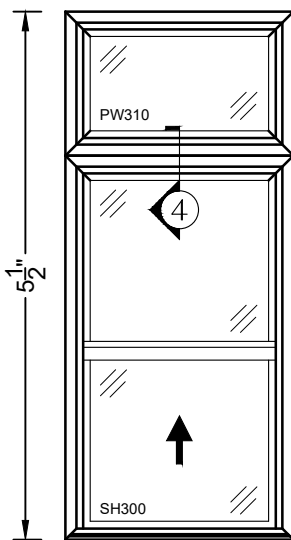
① **REPLACEMENT HEAD**  
SH300R



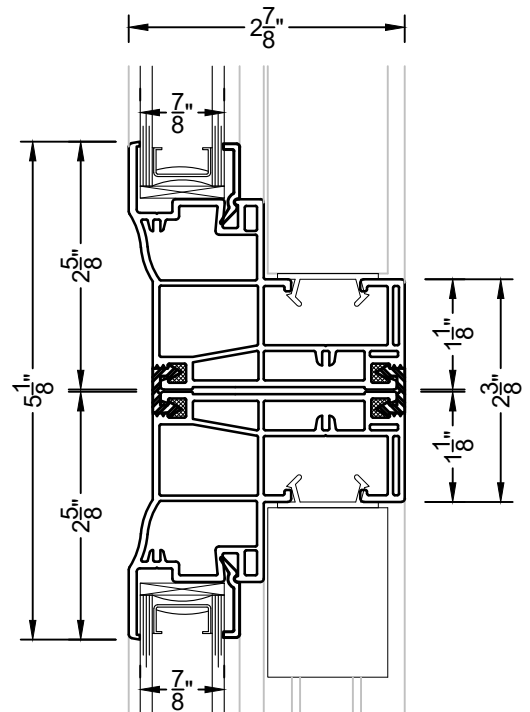
③ **REPLACEMENT JAMB**  
SH300R



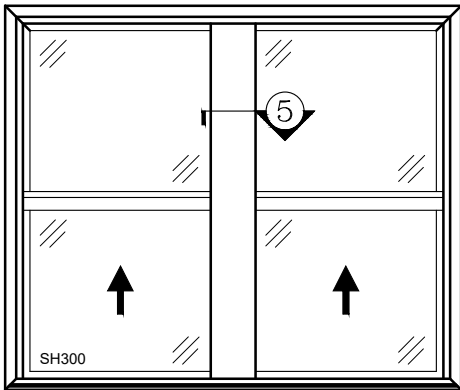
② **REPLACEMENT SILL**  
SH300R



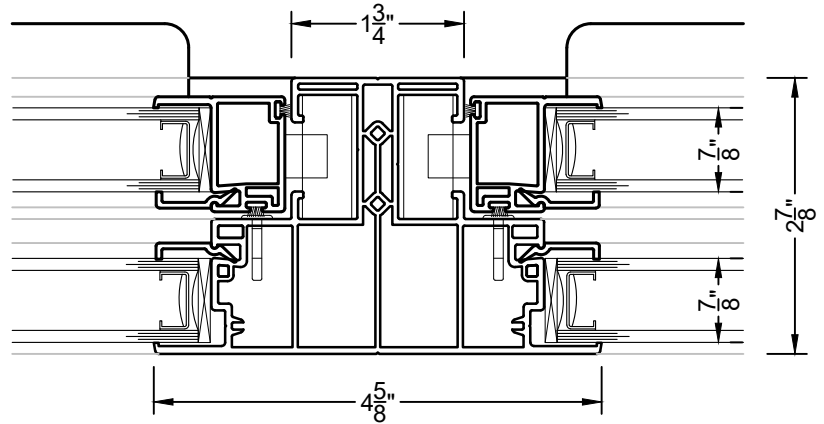
DH300 & PW310



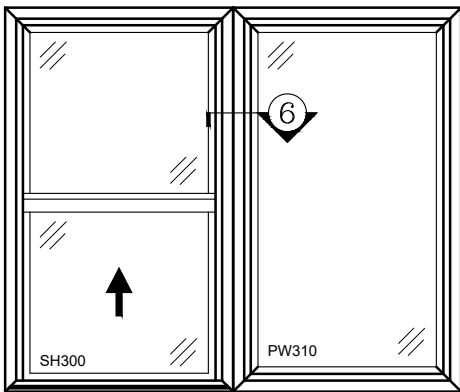
④ **0 DEGREE MULLION**  
PW310 OVER SH300



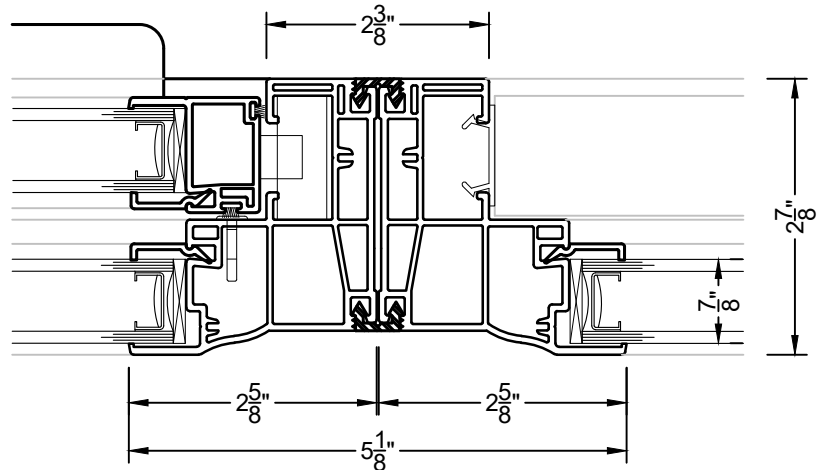
TWIN SH300



⑤ INTERMEDIATE JAMB  
 SH300



DH300 & PW310



⑥ 0 DEGREE MULLION  
 SH300 & PW310