

SERIES 400 DOUBLE HUNG WINDOW

TEST SIZE W x H	AAMA RATING	AIR INFILTRATION	DESIGN PRESSURE	WATER RESISTANCE	U-VALUE	SHGC	VT
39.5" x 63"	R-PG20	≤0.30 cfm/ft ²	20 psf	3.0 psf	0.23-0.48	0.19-0.61	0.36-0.64
44" x 75"	LC-PG30	≤0.30 cfm/ft ²	30 psf	4.5 psf			



TABLE OF CONTENT

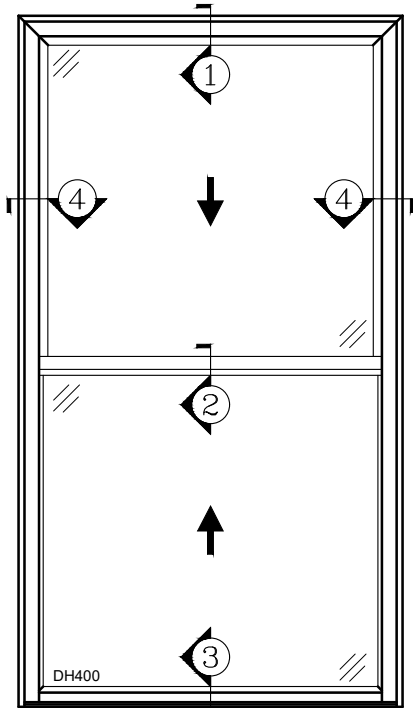
- INTRODUCTION -P1
- SECTION DETAILS -P2
- MULLION -P3-P4

FEATURES

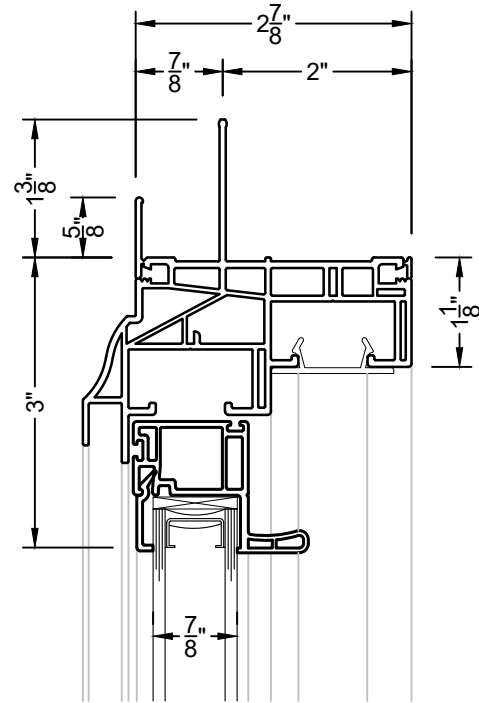
- 2-7/8" FRAME DEPTH
- 7/8" INSULATED GLASS
- SINGLE STRENGTH GLASS
- MEETING RAIL LOCK
- DUAL VENT LOCK
- TILT SASH WITH TILT LATCH
- CONTINUOUS LIFT HANDLE ON BOTTOM SASH
- SLOPED SILL
- CONSTANT FORCE COIL BALANCE
- DOUBLE-SEAL WEATHERSTRIPPING
- INTEGRAL NAILING FIN
- INTEGRAL J-CHANNEL

OPTIONAL SELECTIONS

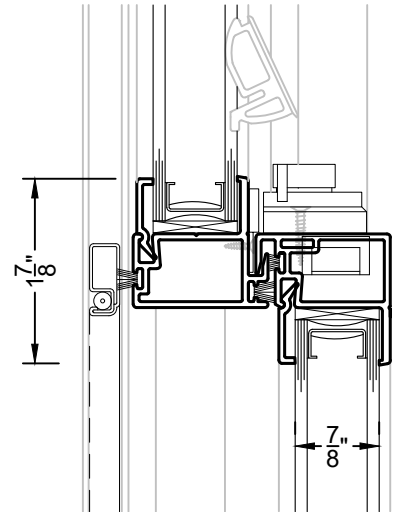
- LOW-E COATING & ARGON FILLED IGU
- CUSTOM FINISH AND CUSTOM COLORS
- SPIRAL OR BLOCK & TACKLE BALANCE
- HALF OR FULL SCREEN
- LIMIT STOPS
- INSTALLATION SCREWS
- GRIDS
- OTHER OPTIONAL ACCESSORIES



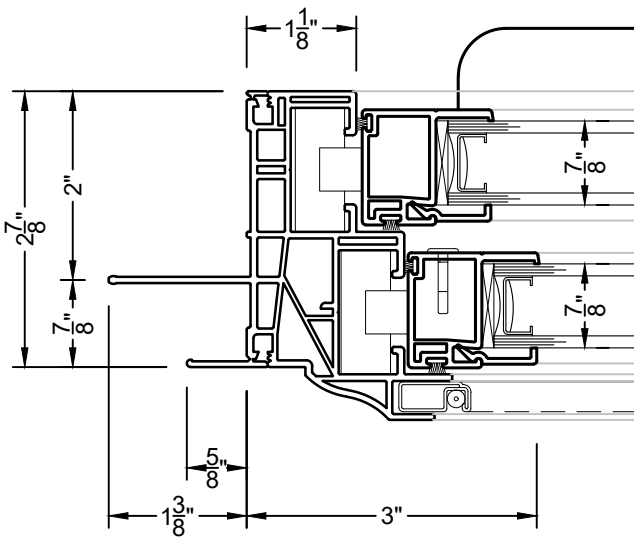
DH400



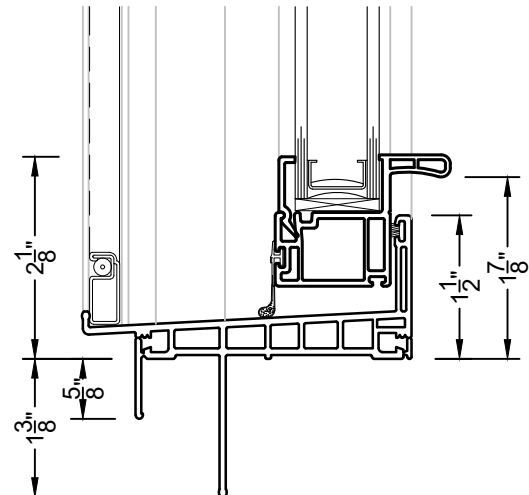
① HEAD
DH400



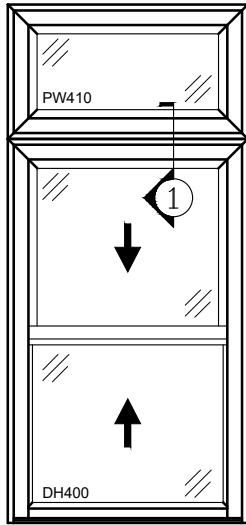
② MEETING RAIL
DH400



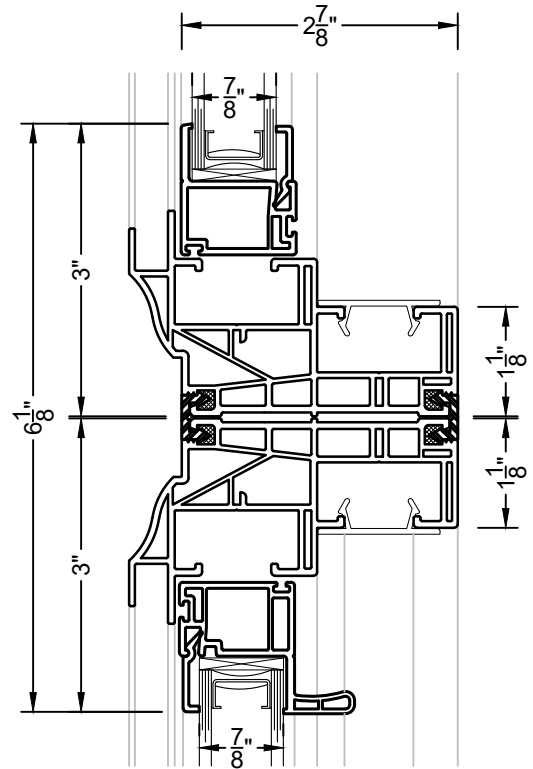
④ JAMB
DH400



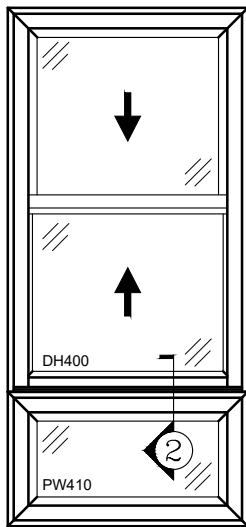
③ SILL
DH400



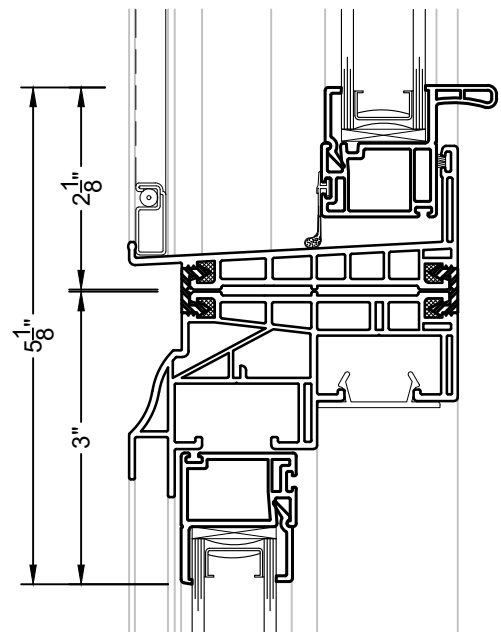
PW410 OVER DH400



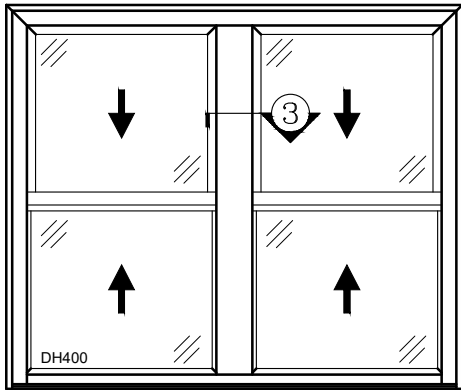
① 0 DEGREE MULLION
 PW410 OVER DH400



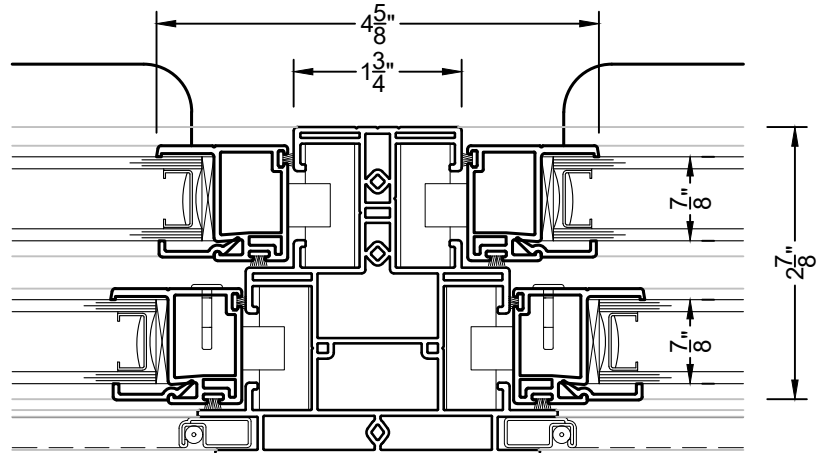
DH400 OVER PW410



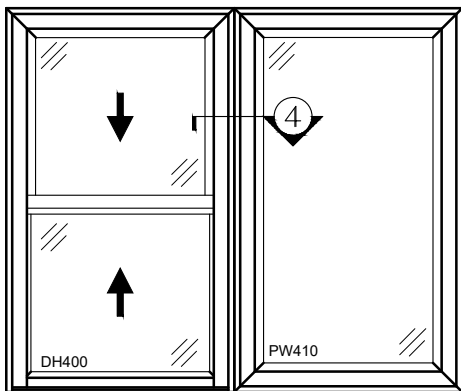
② 0 DEGREE MULLION
 DH400 OVER PW410



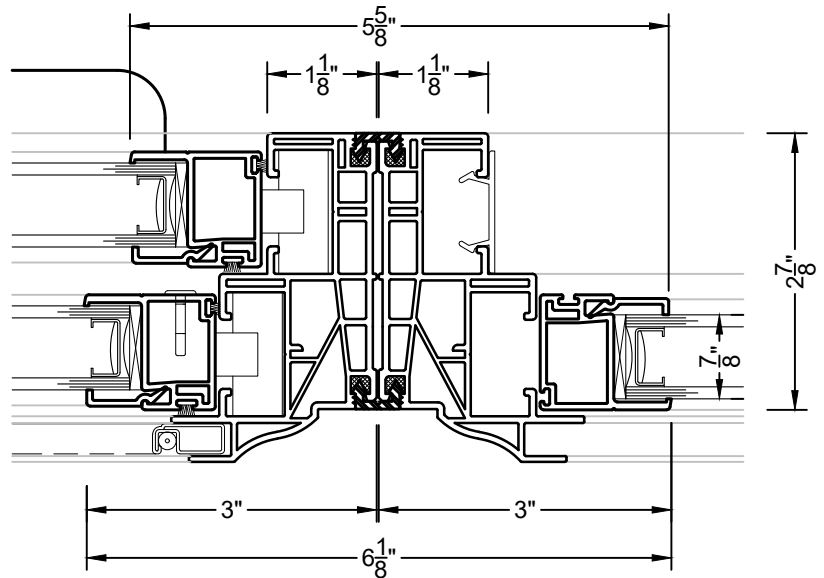
TWIN DH400



③ INTERMEDIATE JAMB
 TWIN DH400



DH400 & PW410



④ 0 DEGREE MULLION
 DH400 & PW410