

VINYL SERIES 420 2⁷/₈" SLIDER WINDOWS

TEST SIZE W x H	AAMA RATING	AIR INFILTRATION	DESIGN PRESSURE	WATER RESISTANCE	U-VALUE	SHGC	VT
71" x 56.25"	LC-PG25	≤0.30 cfm/ft ²	25 psf	3.76 psf	0.25-0.48	0.19-0.60	0.43-0.63

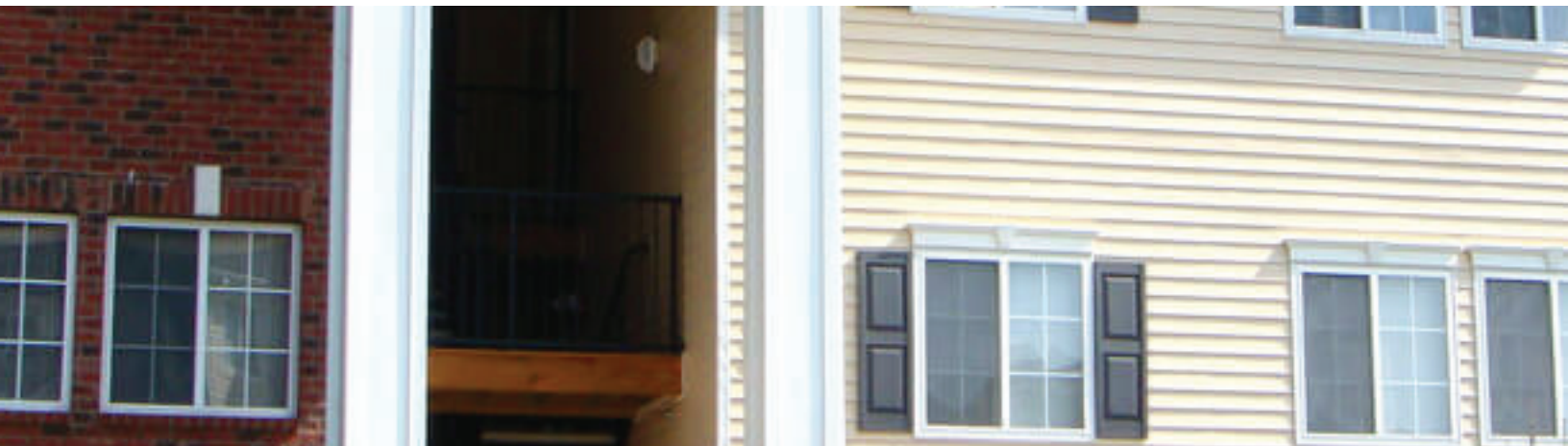


TABLE OF CONTENT

- INTRODUCTION -P1
- TWO LITE SLIDER -P2
- THREE LITE SLIDER -P3
- MULLION -P4

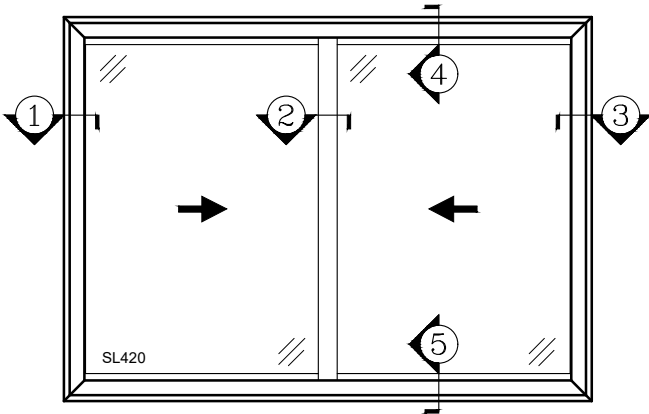
FEATURES

- 2-7/8" FRAME DEPTH
- 7/8" INSULATED GLASS
- SOFT COAT LOW-E & ARGON FILLED IGU
- CORROSION-RESISTANT TWO-WHEEL BRASS ROLLERS
- FUSION WELDED FRAME & SASHES
- REMOVABLE SASHES - SAFE, EASY CLEANING OF BOTH SASHES
- DOUBLE-SEAL WEATHERSTRIPPING
- INTEGRAL NAILING FIN
- INTEGRAL J-CHANNEL

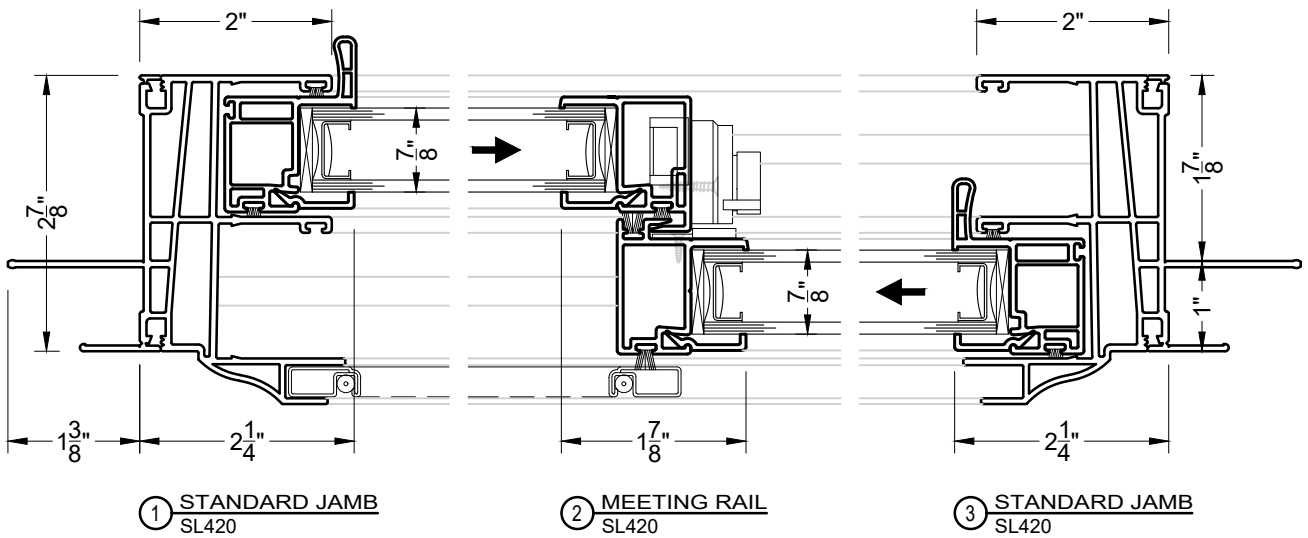
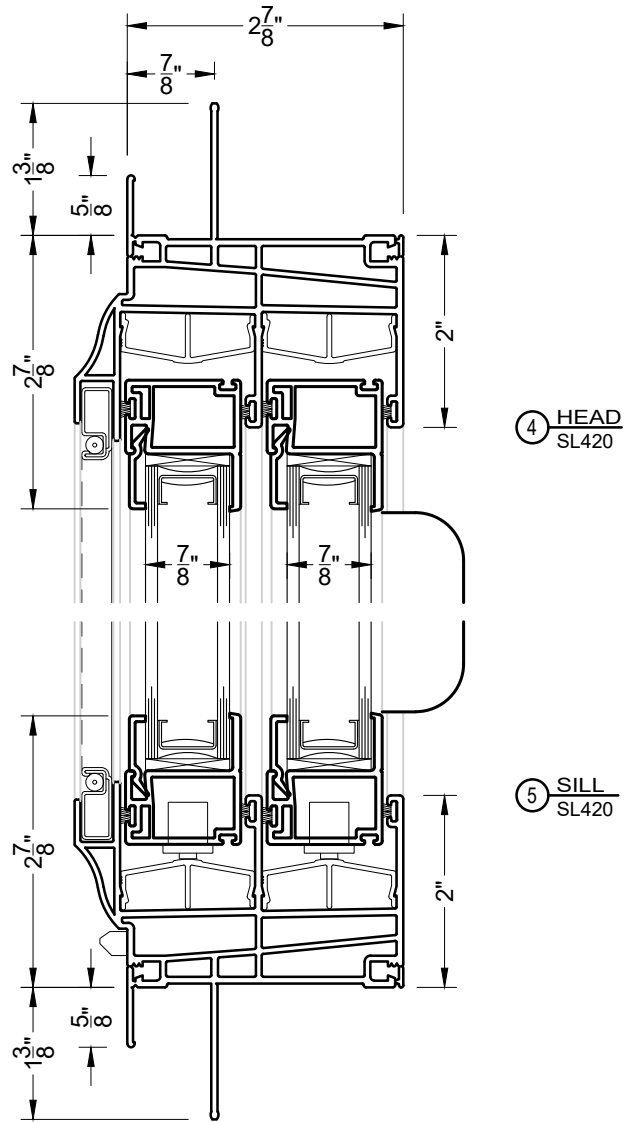


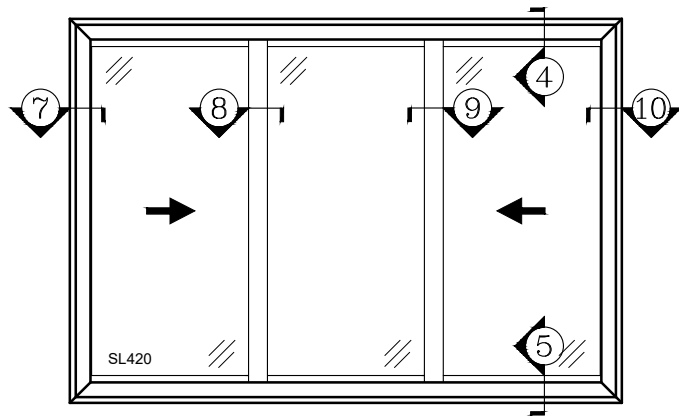
OPTIONAL SELECTIONS

- TRIPLE-GLAZED INSULATED GLASS UNIT
- PERFORMA TC™ HIGH PERFORMANCE LOW-E UPGRADE
- BETWEEN THE GLASS OR EXTERIOR APPLIED GRIDS
- EXTRUDED BEIGE COLOR
- PAINTED EXTERIOR CUSTOM COLOR

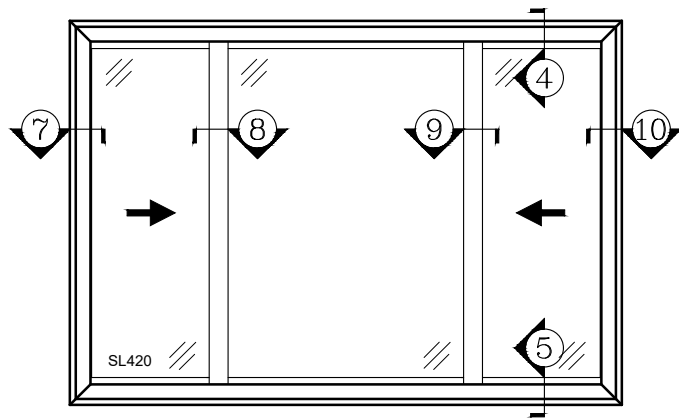


420-2 TWO-LITE SLIDER

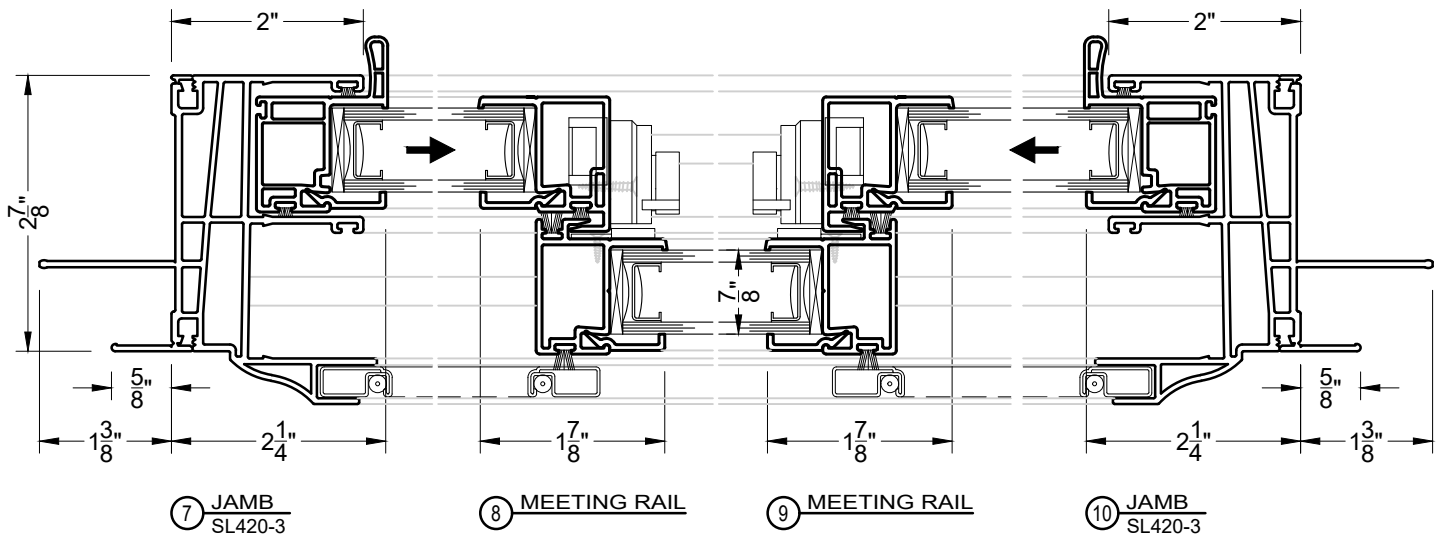




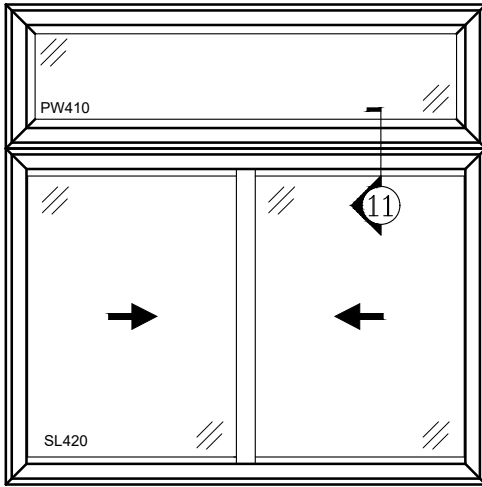
420-3 THREE-LITE SLIDER X-O-X
 (EQUAL 1/3, 1/3, 1/3)



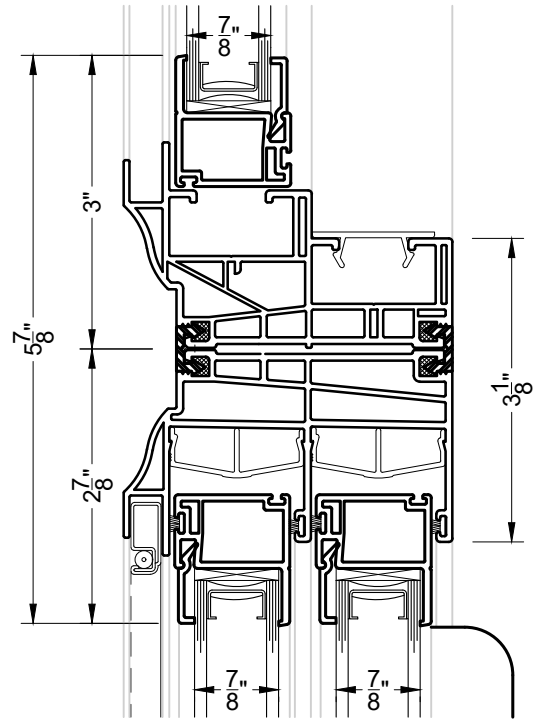
420-3 THREE-LITE SLIDER X-O-X (UNEQUAL)



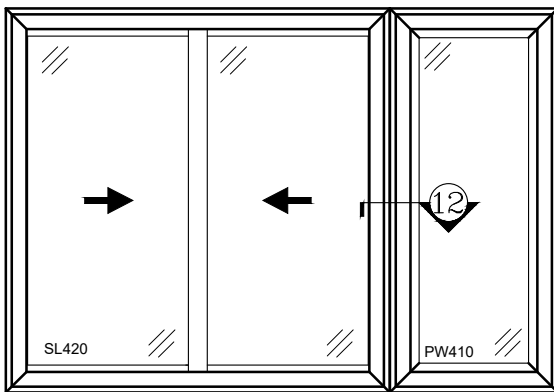
VER: 2020.08



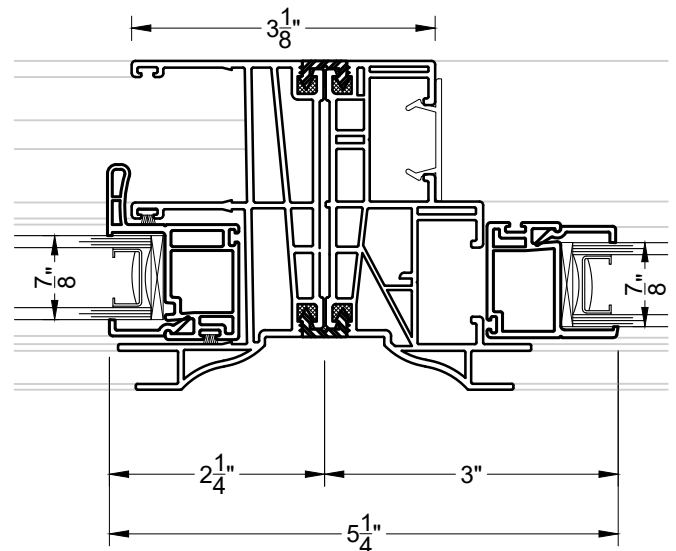
PW410 OVER 420-2 TWO-LITE SLIDER



11 0 DEGREE MULLION
 PW410 OVER SL420



420-2 TWO-LITE SLIDER & PW410



12 0 DEGREE MULLION
 SL420 & PW410