

SERIES 5500 DOUBLE HUNG WINDOWS

TEST SIZE W x H	AAMA RATING	AIR INFILTRATION	DESIGN PRESSURE	WATER RESISTANCE	U- FACTOR	SHGC	VT
60" x 99"	CW-PG60	≤0.30 cfm/ft ²	60 psf	9 psf	0.38-0.65	0.31-0.59	0.27-0.59



TABLE OF CONTENT

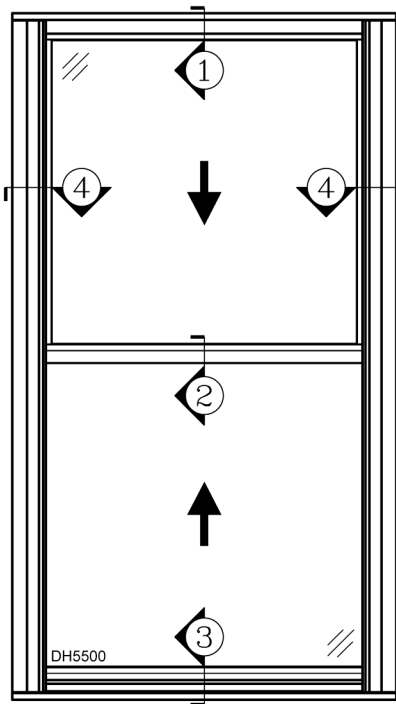
- INTRODUCTION -P1
- SECTION DETAILS -P2
- MULLION -P3-P5
- FACE FLANGE -P6

FEATURES

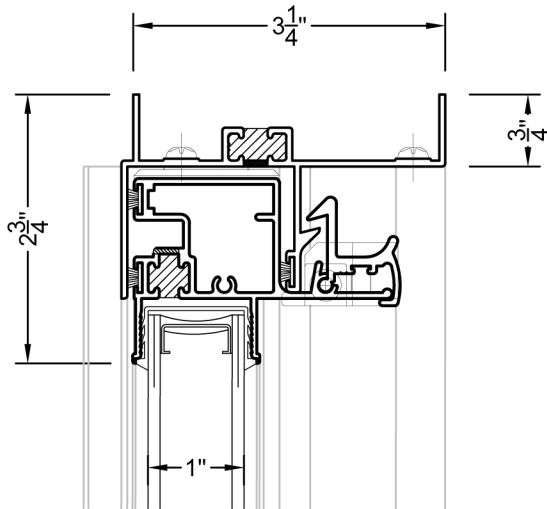
- ALUMINUM THERMAL-BREAK DOUBLE HUNG TILT WINDOW
- 3-1/4" FRAME DEPTH
- 1" DOUBLE PANE INSULATED GLASS
- AAMA 2604 POWDER COAT PAINT
- HEAVY-DUTY EXTRUSION
- UNEQUAL SIGHTLINE DESIGN
- POCKET SILL
- ANTI-BOW PIN
- CUSTODIAL LOCK TILT LATCHES
- FULL WIDTH ANTI DRIFT CLIP LOCKS ON BOTH SASHES
- SPIRAL BALANCES
- HALF SCREEN

OPTIONAL SELECTIONS

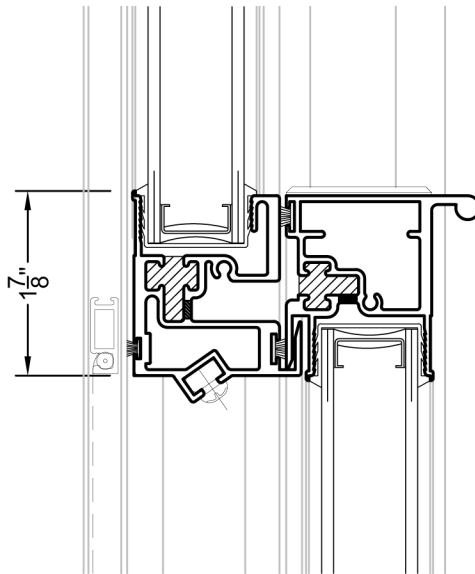
- LOW-E COATING & ARGON FILLED IGU
- FACE FLANGE WITH VARIOUS SIZE
- CUSTOM FINISH AND CUSTOM COLORS
- GRIDS
- BLOCK & TACKLE OR ULTRA LIFT BALANCES
- OTHER OPTIONAL ACCESSORIES
- VINYL OR METAL SASH STOP
- FULL SCREEN



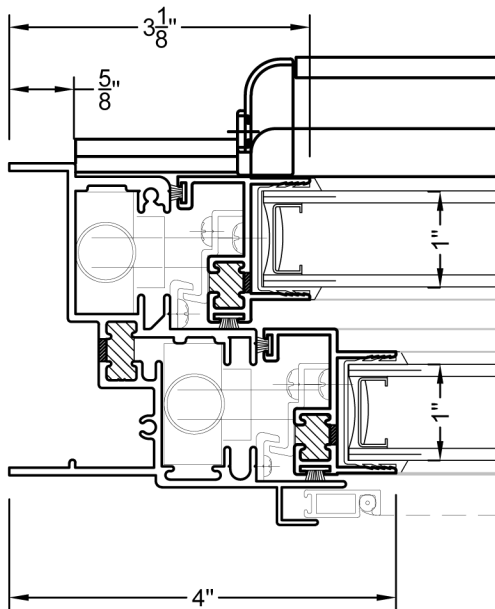
5500 DOUBLE HUNG



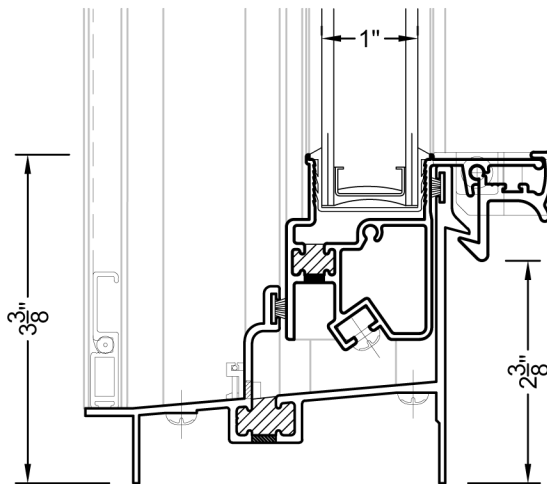
① HEAD
DH5500



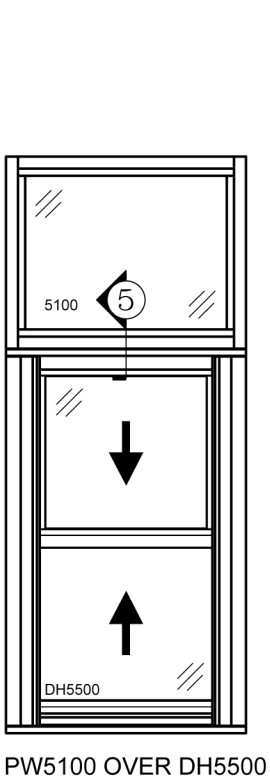
② MEETING RAIL
DH5500



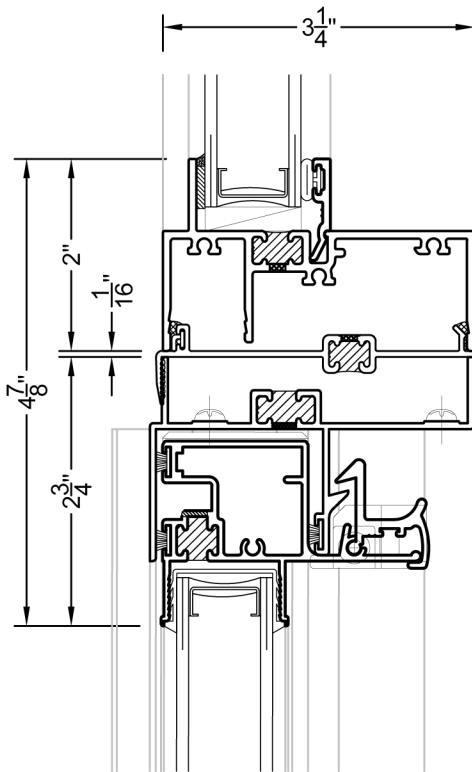
④ JAMB
DH5500



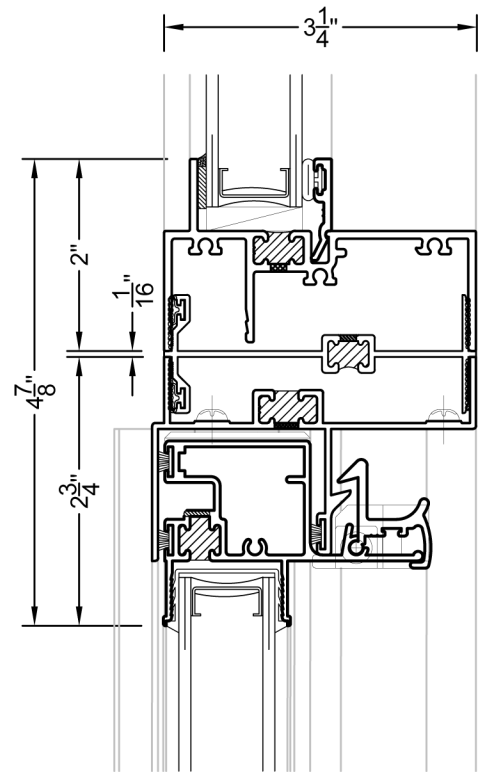
③ SILL
DH5500



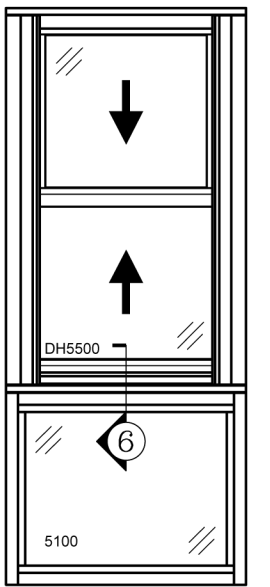
PW5100 OVER DH5500



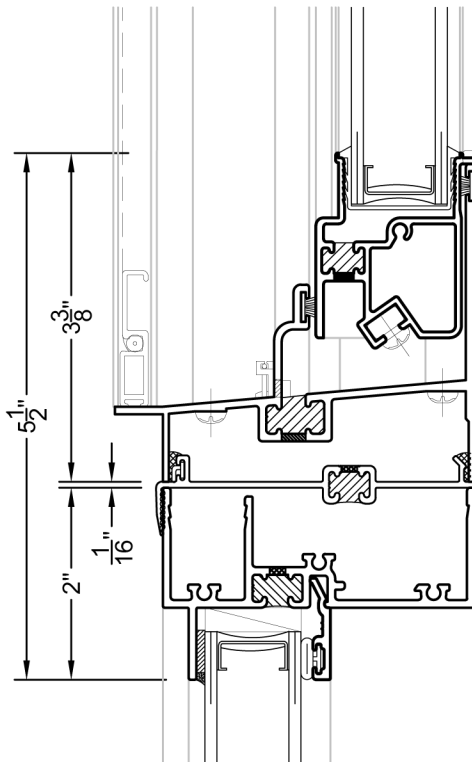
5 STACK MULLION
 PW5100 OVER DH5500



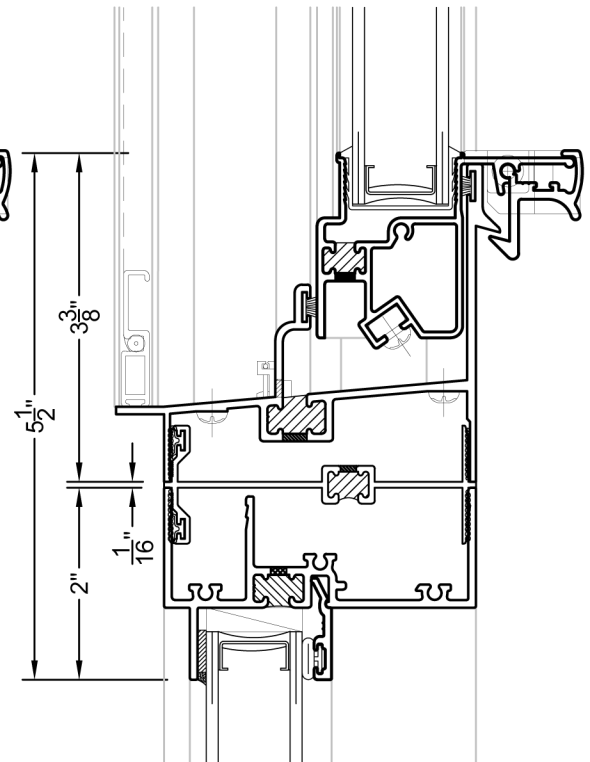
5A H MULLION
 PW5100 OVER DH5500



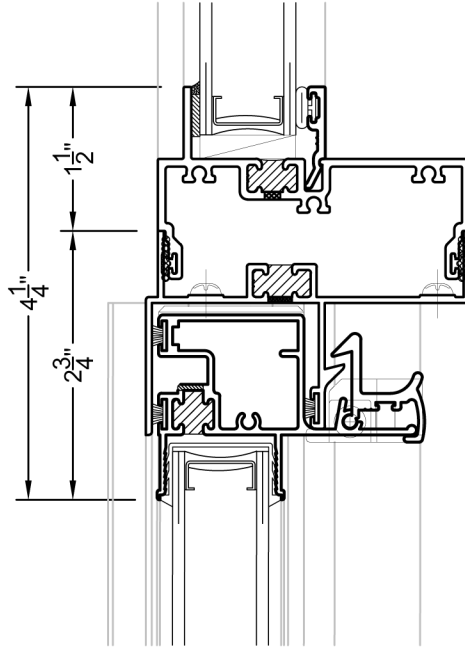
DH5500 OVER PW5100



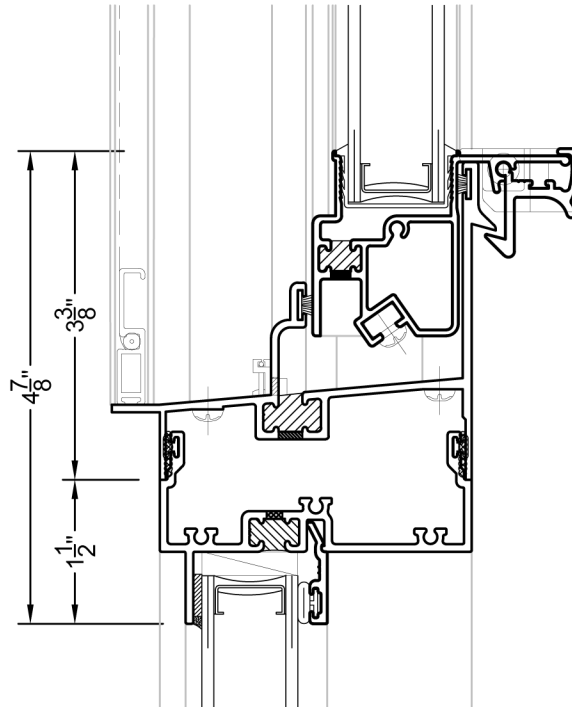
6 STACK MULLION
 DH5500 OVER PW5100



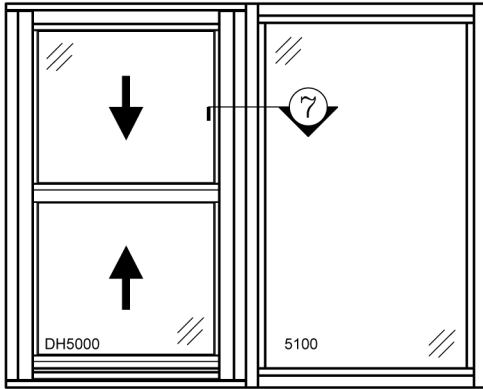
6A H MULLION
 DH5500 OVER PW5100



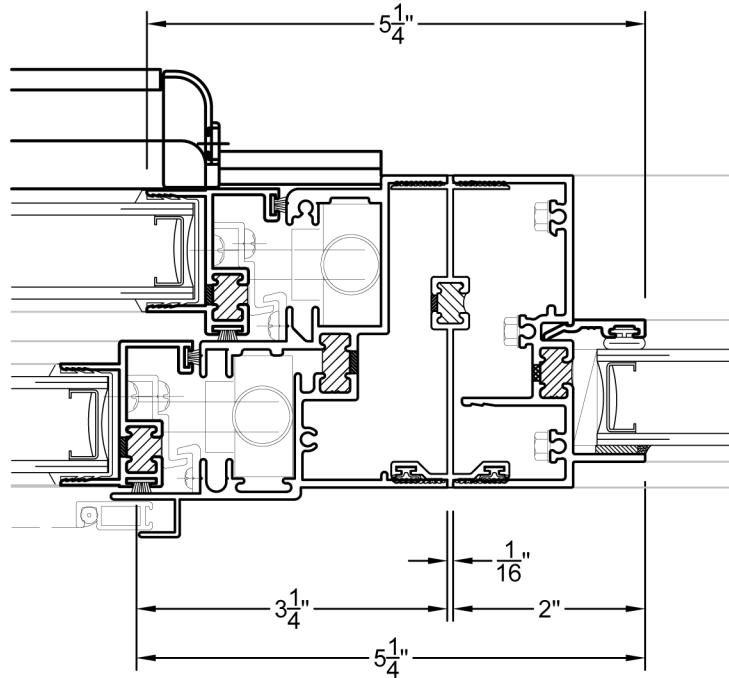
6B MALE FRAME MULLION
 PW5100 MALE OVER DH5500



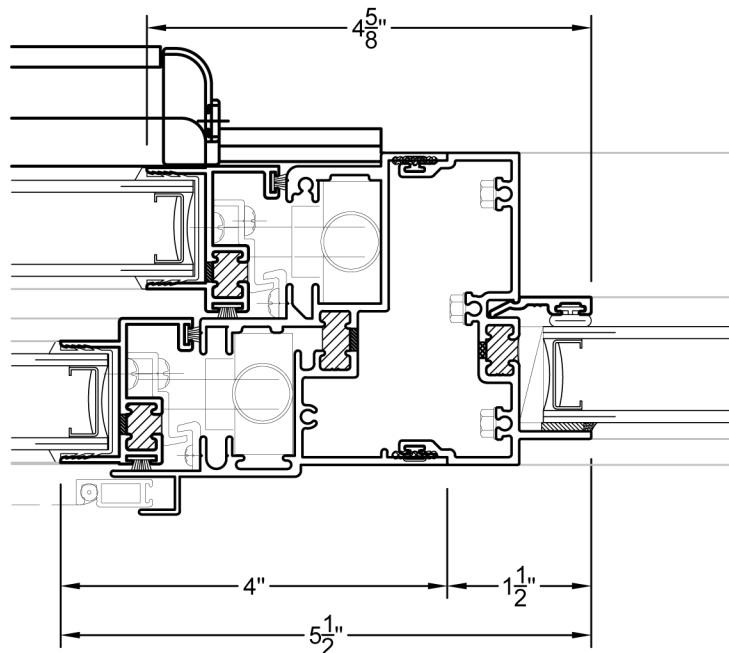
6B MALE FRAME MULLION
 DH5500 OVER PW5100 MALE



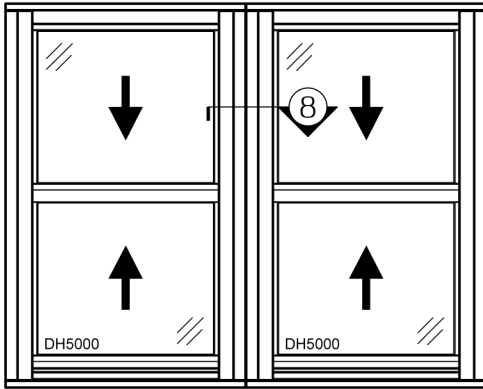
DH5000 & PW5100



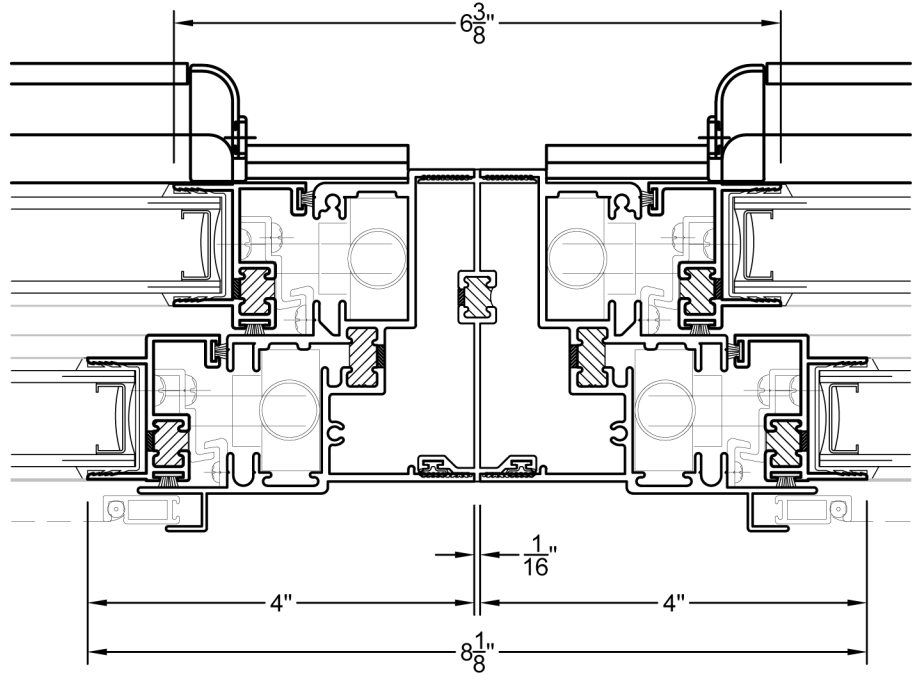
⑦ H MULLION
 DH5000 & PW5100



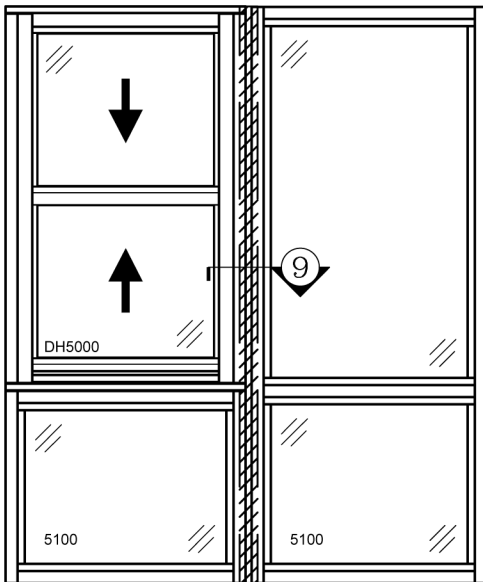
⑦A MALE FRAME MULLION
 DH5000 & 5100 MALE



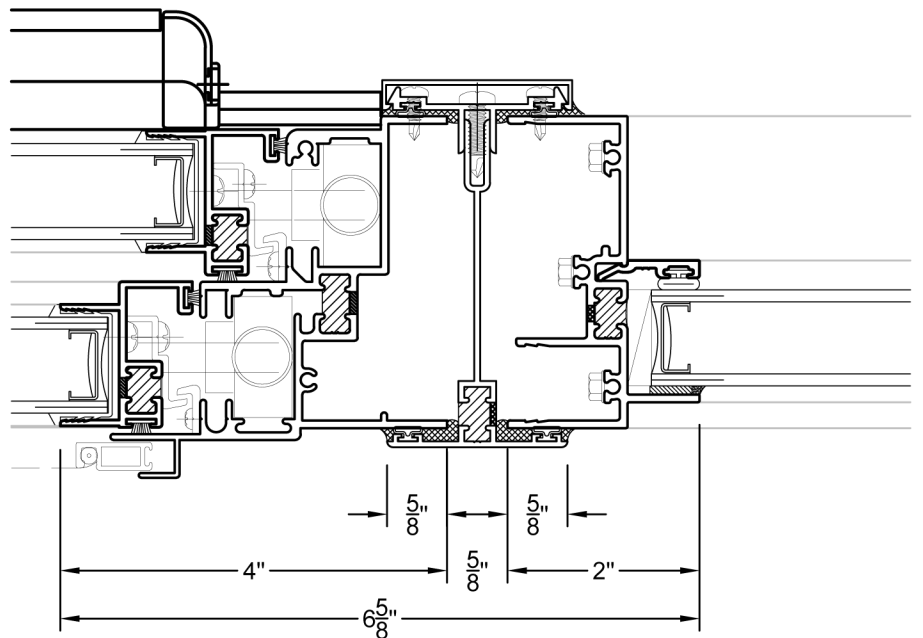
DH5000 & DH5000



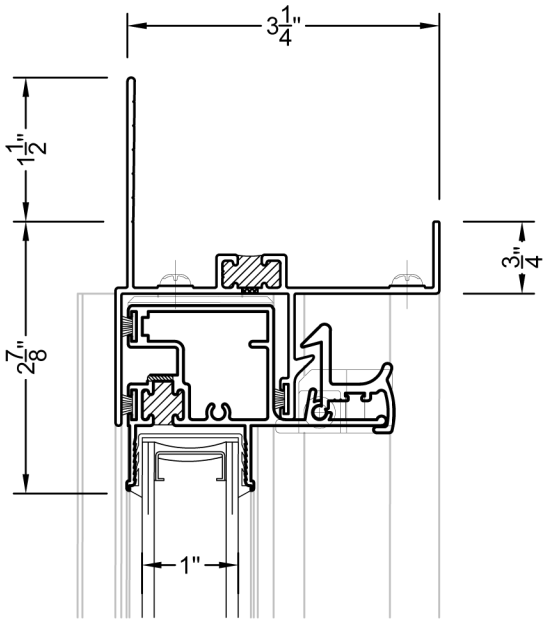
8 H MULLION
 DH5000 & DH5000



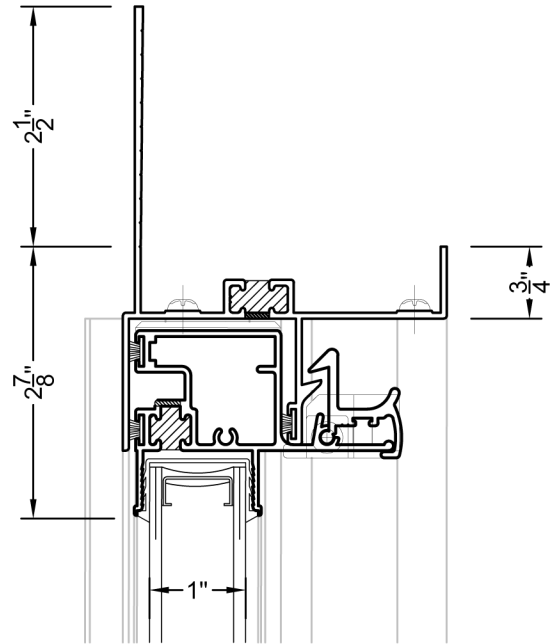
DH5000 OVER PW5100 &
 PW5100-2V W/ 3PC MULLION



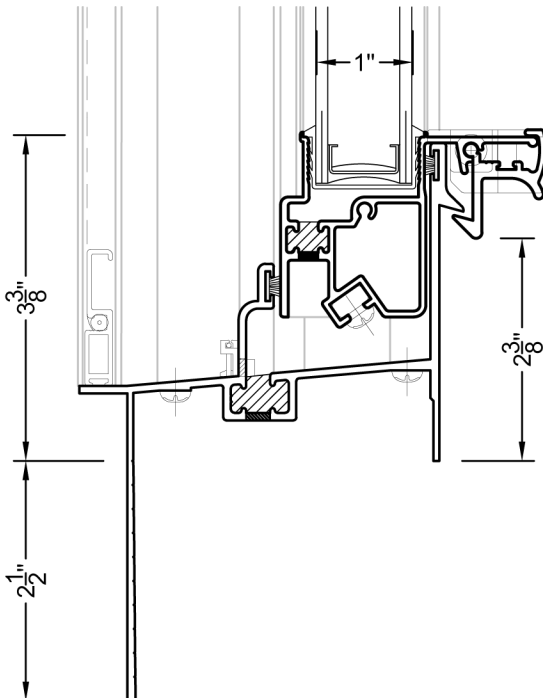
9 3PC MULLION
 DH5000 & PW5100



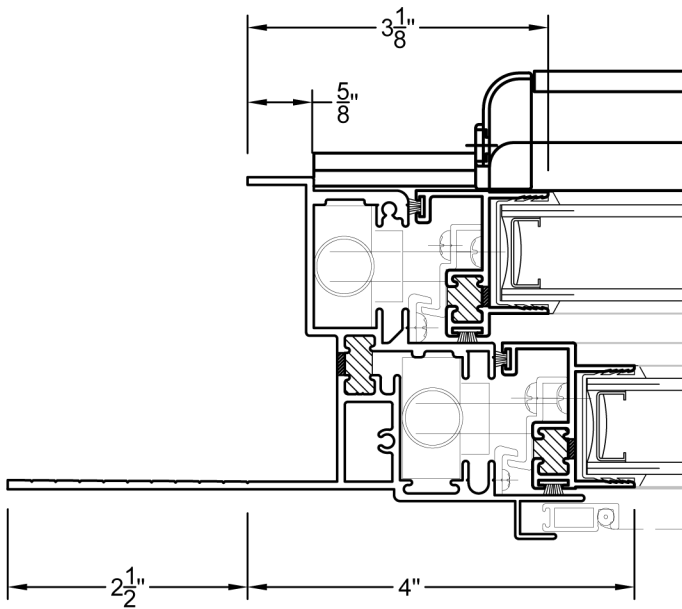
① 1-1/2" FACE FLANGE HEAD
 DH5500



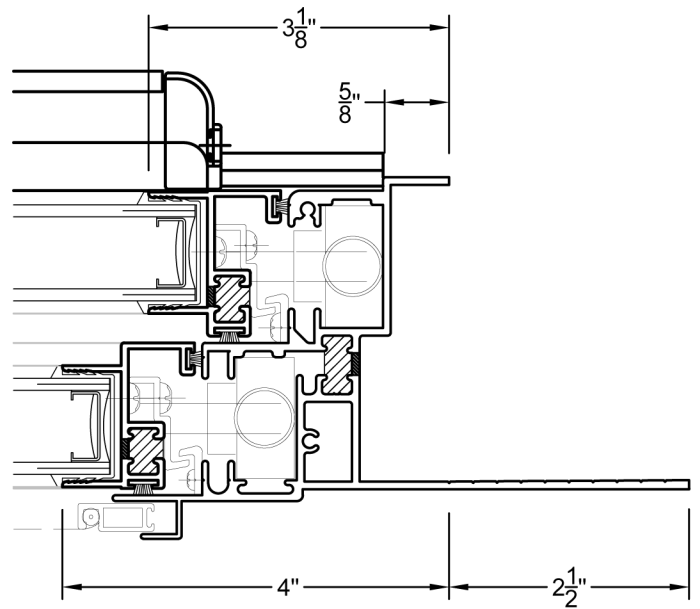
①A 2-1/2" FACE FLANGE HEAD
 DH5500



② 2-1/2" FACE FLANGE SILL
 DH5500



③ 2-1/2" FACE FLANGE JAMB
DH5500



③ 2-1/2" FACE FLANGE JAMB
DH5500