

**SERIES 8580 IN-SWING CASEMENT
 SERIES 8530 PROJECT-IN WINDOWS**

TEST SIZE W X H	AAMA RATING	AIR INFILTRATION	DESIGN PRESSURE	WATER RESISTANCE	U- FACTOR	SHGC	VT
36"X60" (SERIES 8580)	AW-PG100	≤0.30 cfm/ft ²	100 psf	12 psf	0.42-0.62	0.17-0.51	0.23-0.52
60"X36" (SERIES 8520)	AW-PG100	≤0.30 cfm/ft ²	100 psf	12 psf			



TABLE OF CONTENT

8500 OUT-SWING CASEMENT WINDOW (PAGE 2-14)

2⁵/₈" FRAME (PAGE 2-10)

- SECTION DETAILS -P2
- OPERATOR -P3
- MASTER FRAME -P4-P7
- MULLION -P8-P9
- NAILING FIN -P10
- FACE FLANGE -P11

3¹/₄" FRAME (PAGE 11-14)

- SECTION DETAILS -P12
- MULLION -P13-P14
- FACE FLANGE -P15

8520 PROJECT-OUT WINDOW (PAGE 15-26)

2⁵/₈" FRAME (PAGE 12-22)

- SECTION DETAILS -P16
- OPERATOR -P17
- MASTER FRAME -P18-P22
- MULLION -P23-P24
- NAILING FIN -P25
- FACE FLANGE -P26

3¹/₄" FRAME (PAGE 23-26)

- SECTION DETAILS -P27
- MULLION -P28-P29
- FACE FLANGE -P30

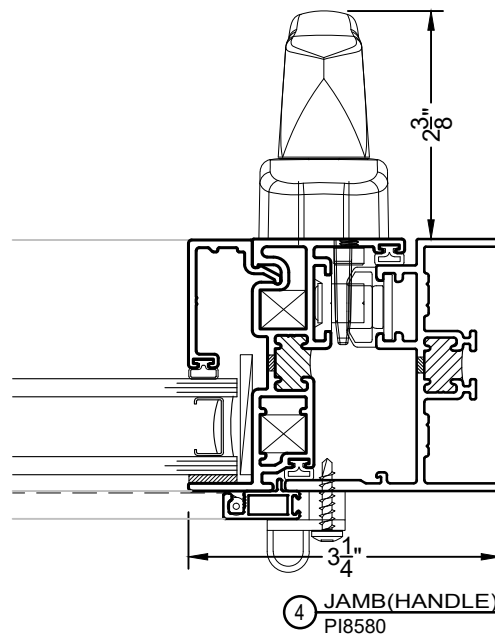
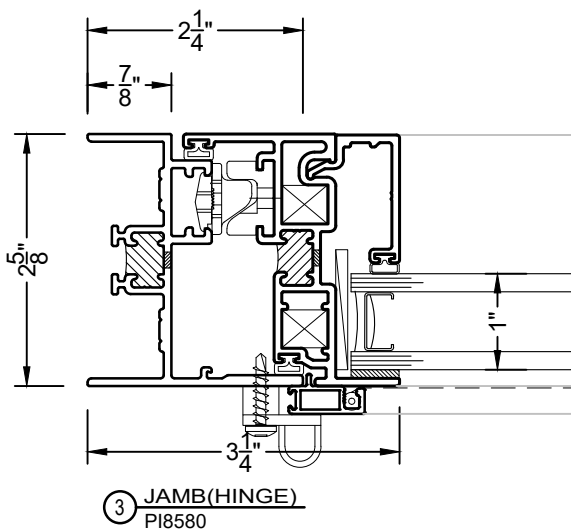
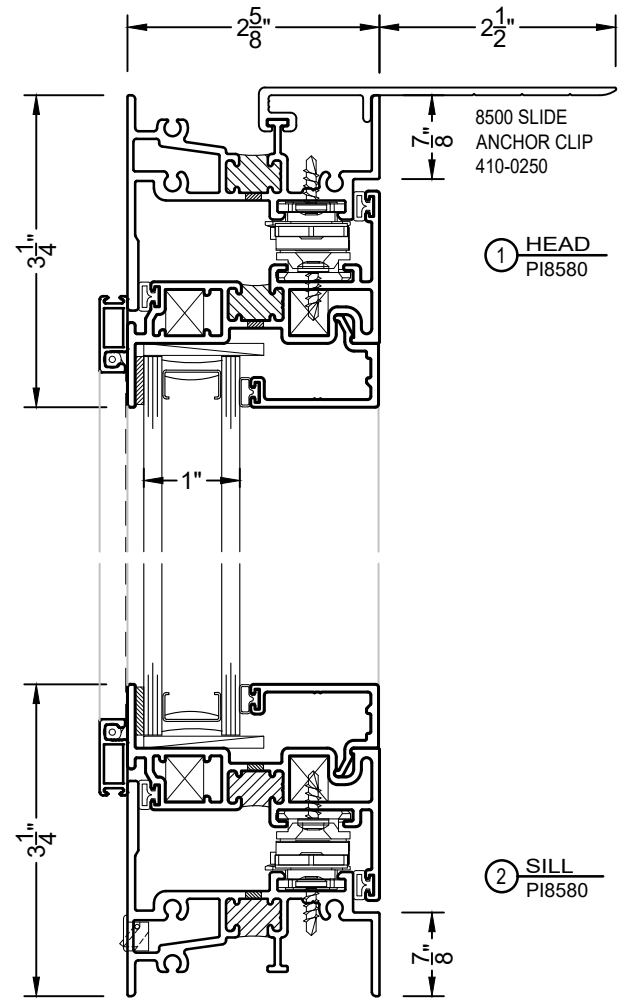
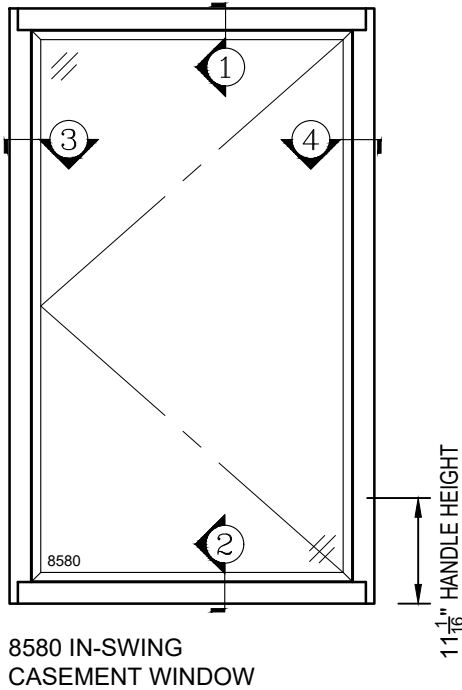
FEATURES

- ALUMINUM THERMAL-BREAK OUT-SWING / PROJECT OUT WINDOW
- 2-5/8" FRAME DEPTH
- 1" DOUBLE PANE INSULATED GLASS
- AAMA 2604 POWDER COAT PAINT
- HEAVY DUTY EXTRUSION
- EURO-STYLE FRAME & SASH
- EURO-STYLE MULTI-LOCKING POINT SYSTEM
- CONCEALED HEAVY DUTY STAINLESS STEEL 4-BAR HINGES
- LEVER LOCKING HANDLE FOR 8580 IN-SWING
- CAM HANDLE FOR 8520 PROJECT IN WINDOW
- FULL SCREEN

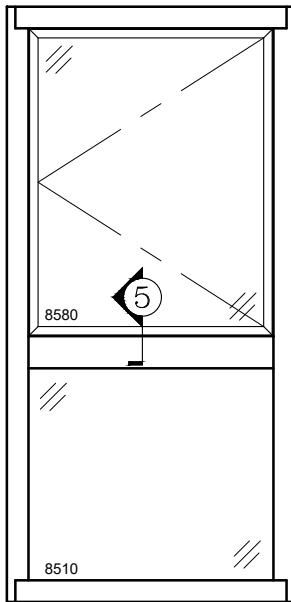
OPTIONAL SELECTIONS

- LOW-E COATING & ARGON FILLED IGU
- CUSTOM FINISH AND CUSTOM COLOR
- CONTINUOUS MATER FRAME DESIGN
- 1-1/4" INSULATED GLASS
- 3-1/4" FRAME DEPTH
- 1-1/2" FACE FLANGE
- 1-1/2" NAILING FIN (2⁵/₈" FRAME ONLY)
- GRIDS
- ADA HANDLE
- OTHER OPTIONAL ACCESSORIES

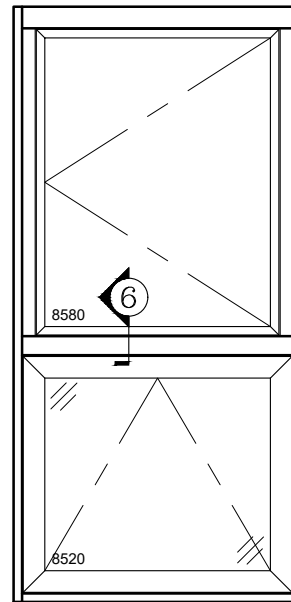
2⁵/₈" FRAME DEPTH



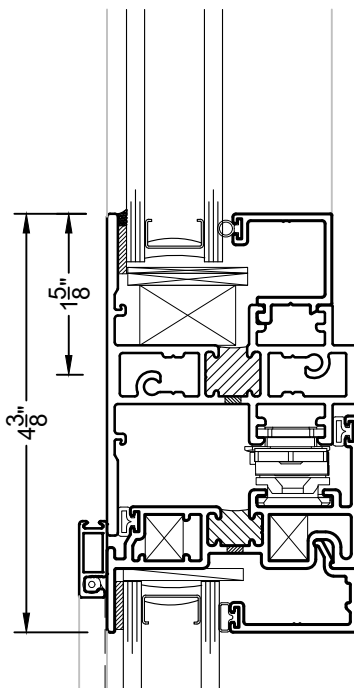
VER: 2020.03



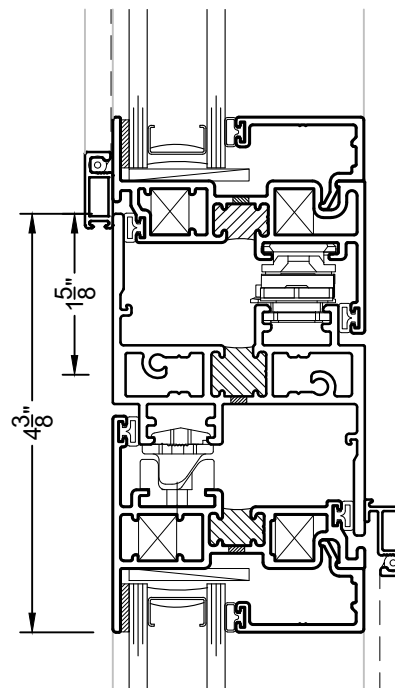
PW8580-2V CASEMENT
 OVER FIXED



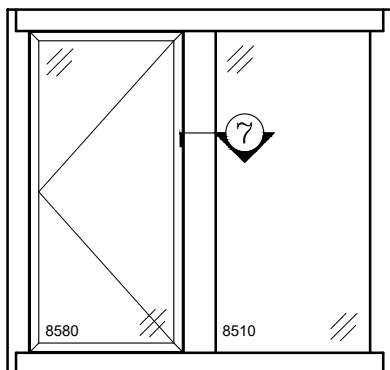
PW8580-2V CASEMENT
 OVER FIXED



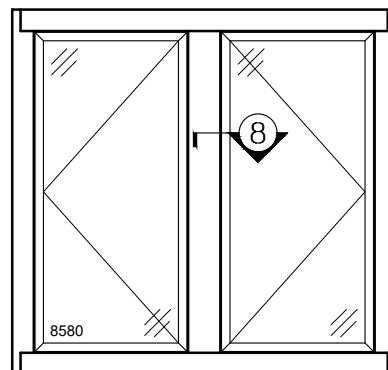
⑤ T-IMPOST
 IC OVER FX



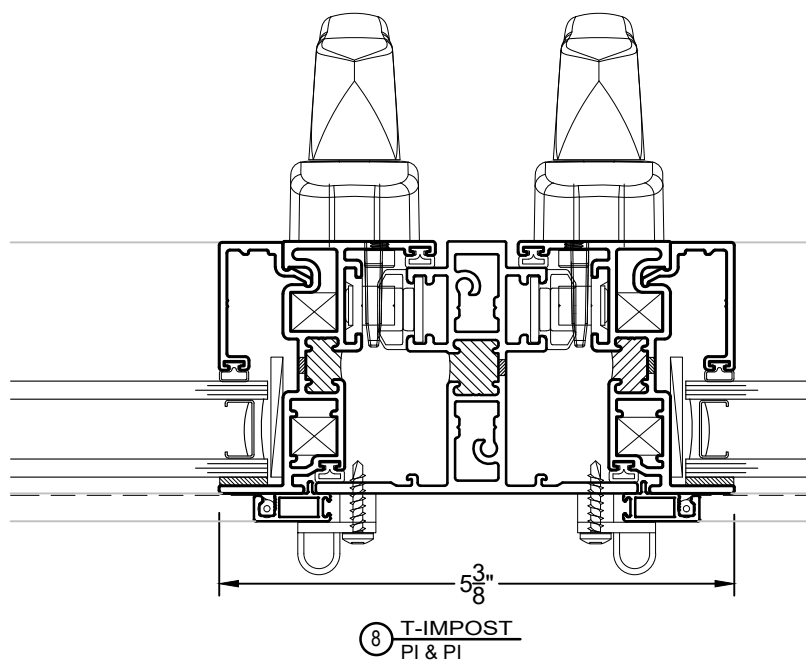
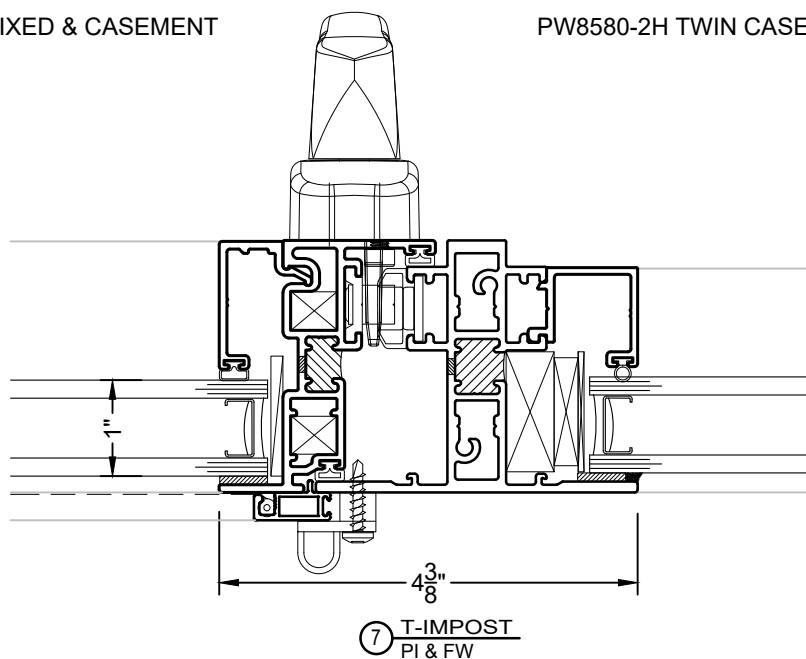
⑥ Z-IMPOST
 IC OVER PO



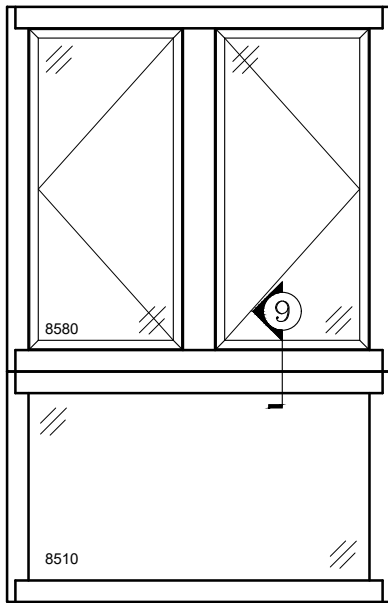
PW8580-2H FIXED & CASEMENT



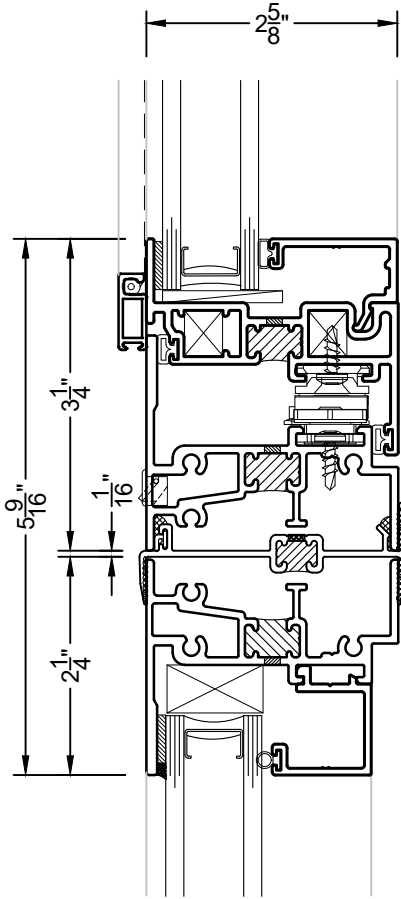
PW8580-2H TWIN CASEMENT



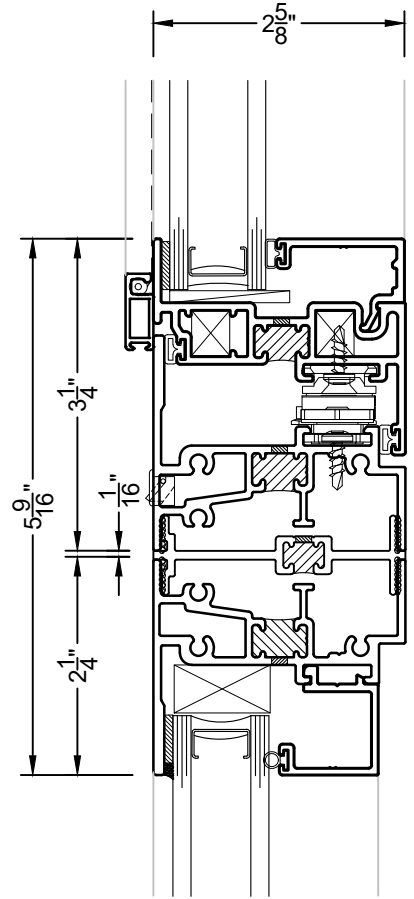
VER: 2020.03



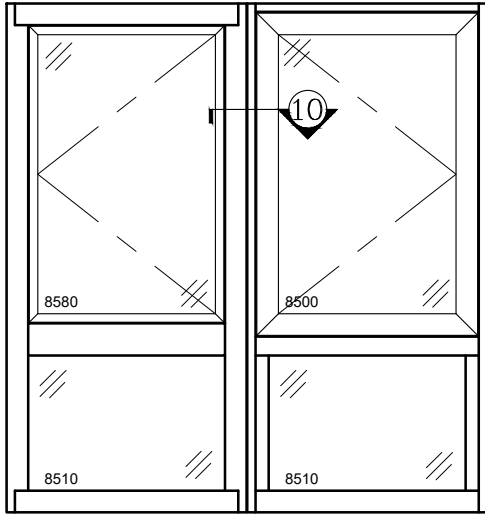
PW8580-2H OVER PW8510



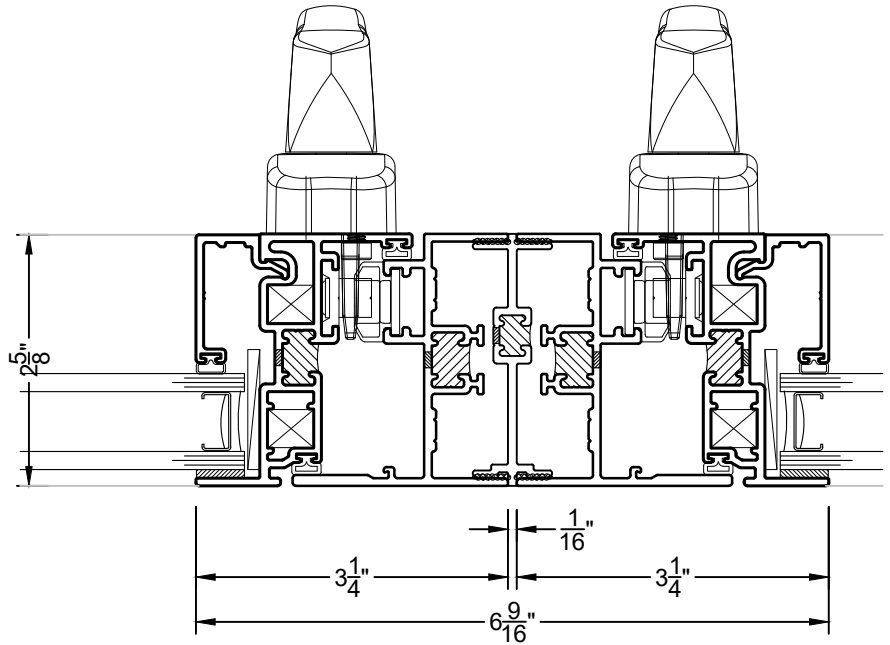
13 STACK MULLION
 PI8580 OVER PW8510



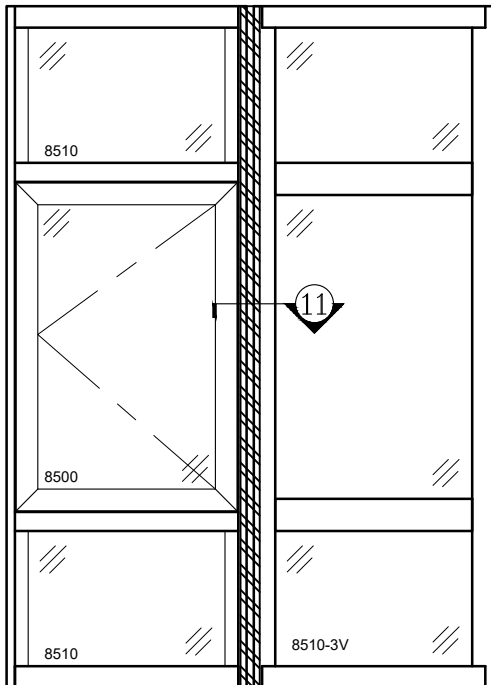
13A H MULLION
 PI8580 OVER PW8510



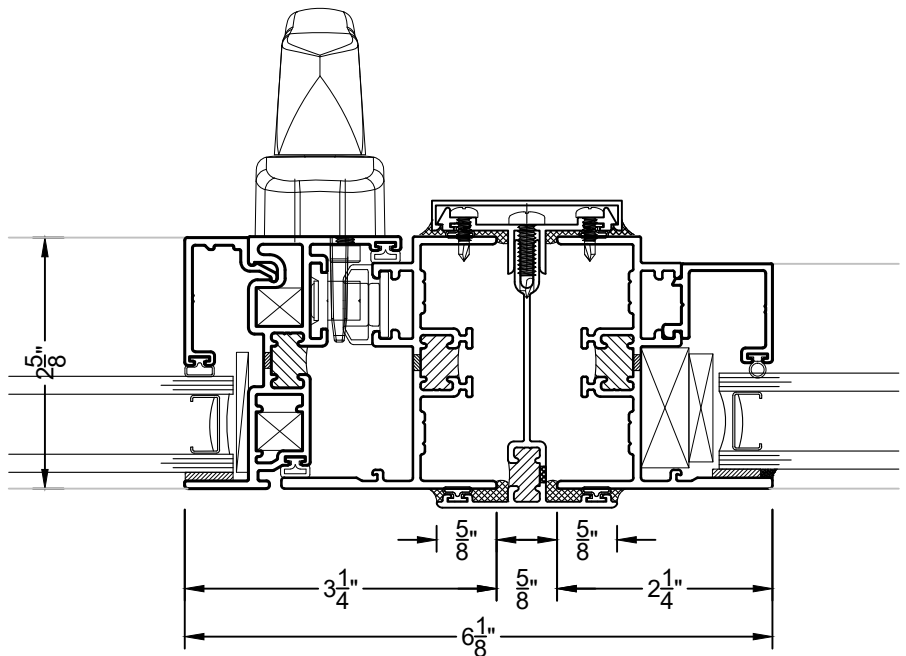
PW8580-2V & PW8500-2V WITH H MULLION



10 H MULLION
 PI8580 & PI8580

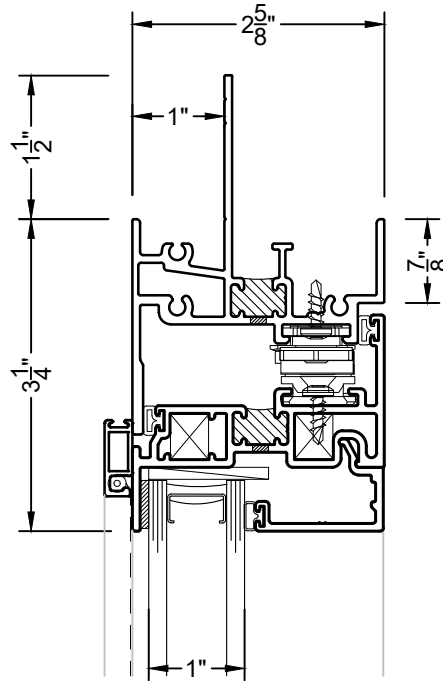


PW8580-3V & PW8510-3V
 WITH 3PC MULLION

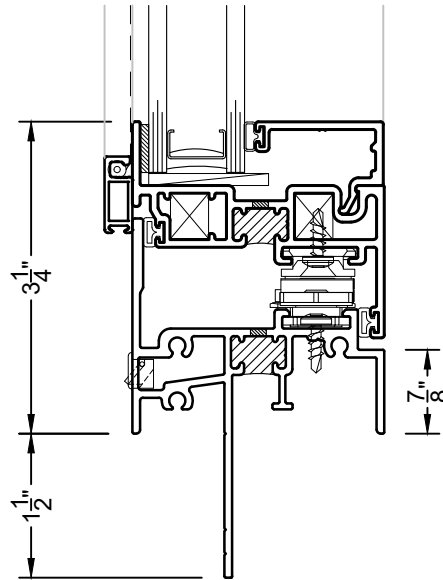


11 3PC MULLION
 PI8580 & PW8510

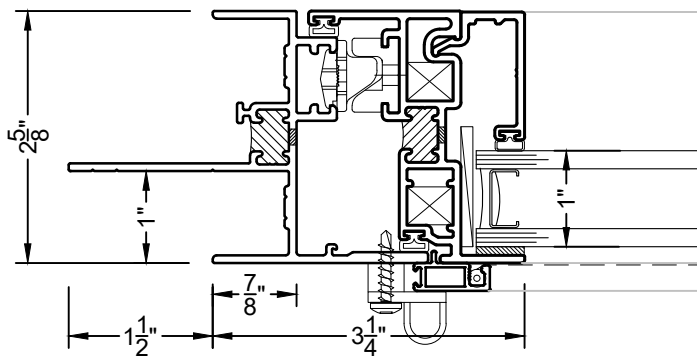
VER: 2020.03



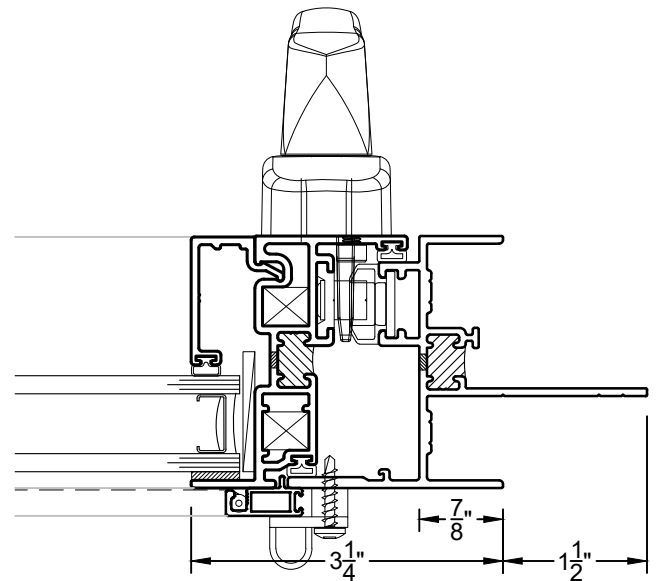
① NAILING FIN HEAD
 PI8580



② NAILING FIN SILL
 PI8580

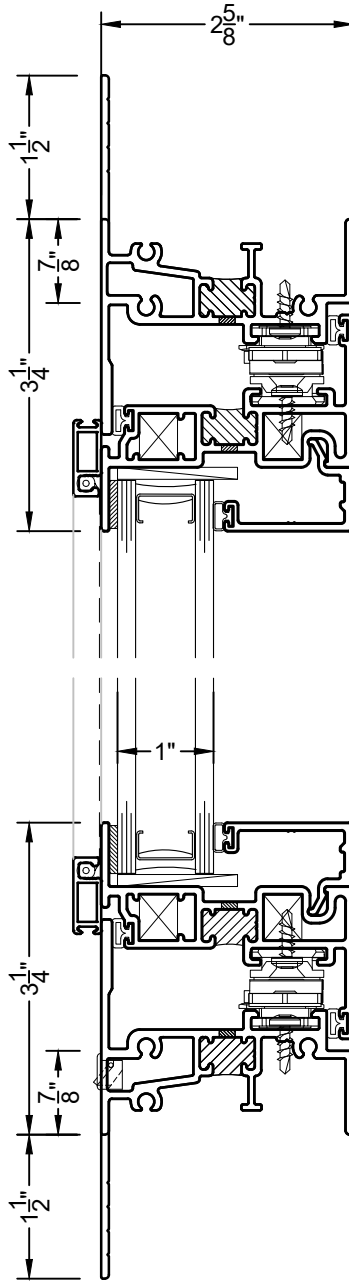


③ NAILING FIN JAMB
 PI8580



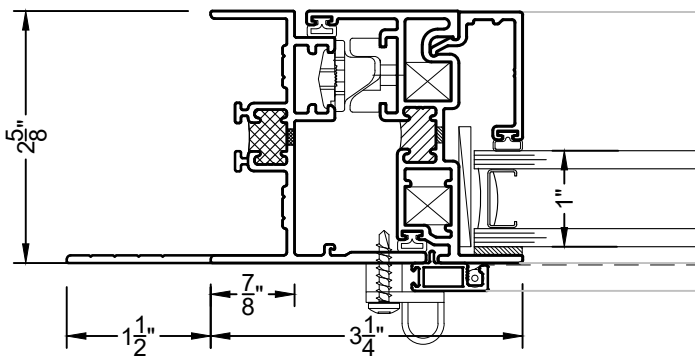
③ NAILING FIN JAMB
 PI8580

VER: 2020.03

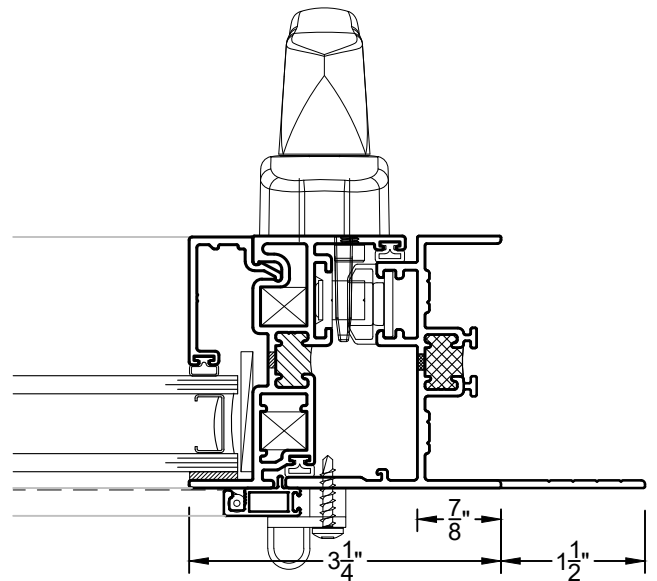


① 1-1/2" FLANGE HEAD
PI8580

② 1-1/2" FLANGE SILL
PI8580



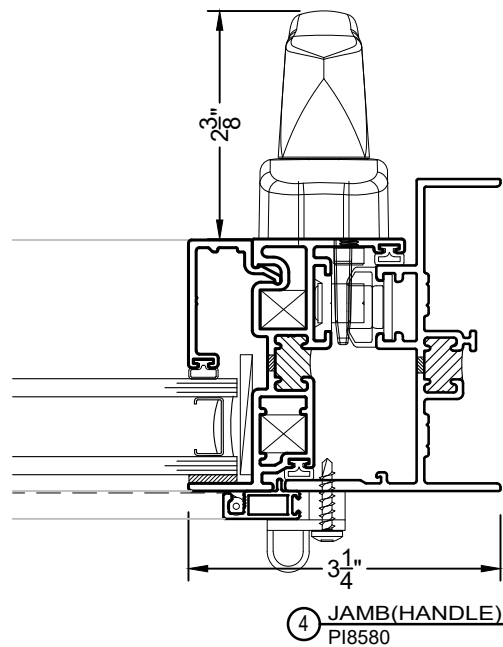
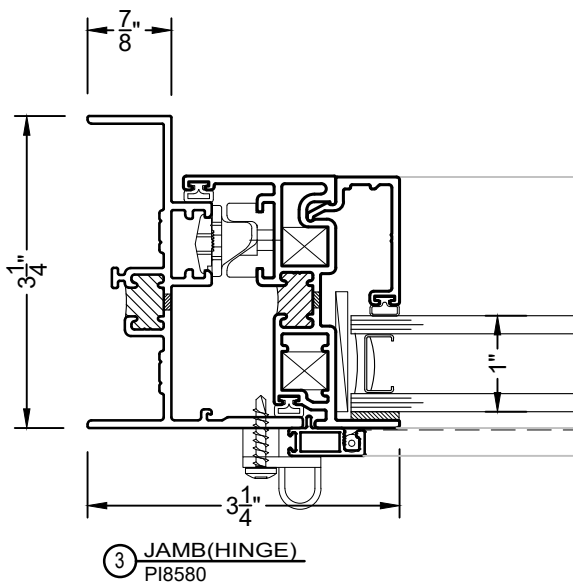
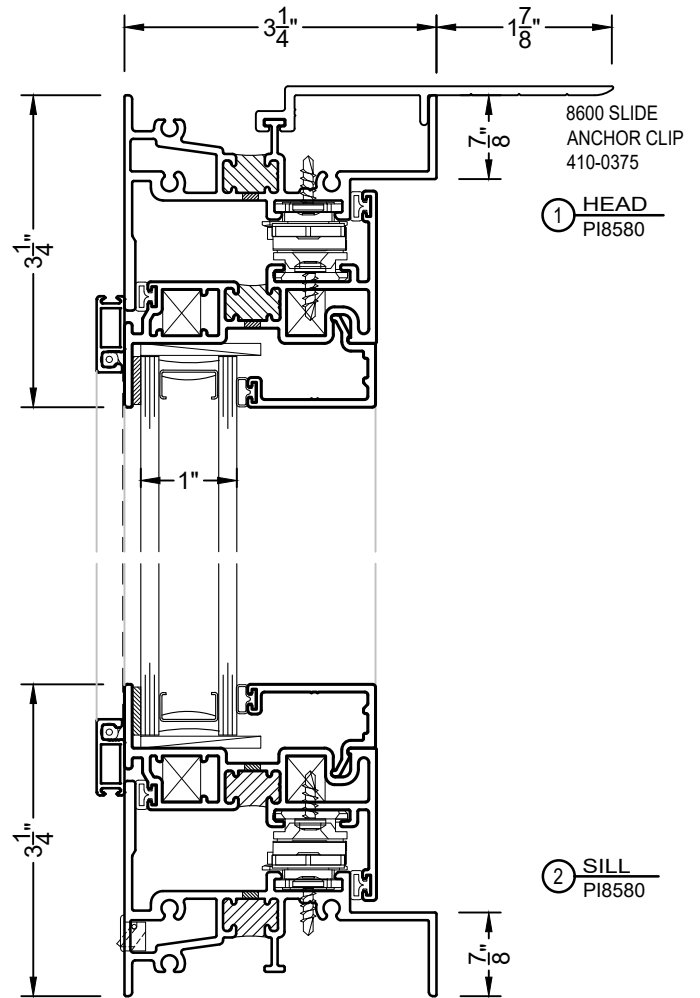
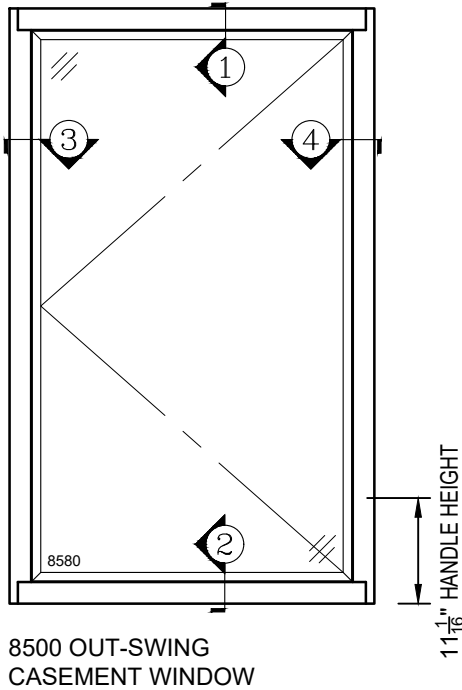
③ NAILIN FIN JAMB
PI8580



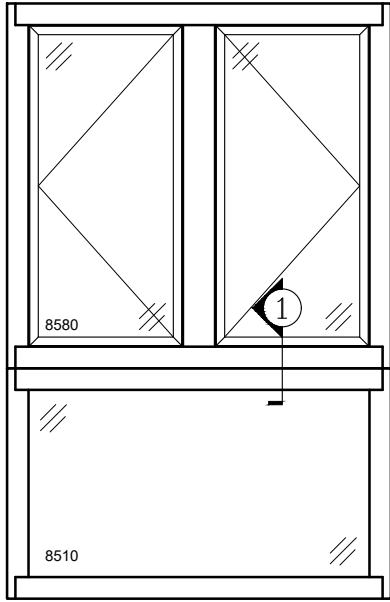
③ NAILIN FIN JAMB
PI8580

VER: 2020.03

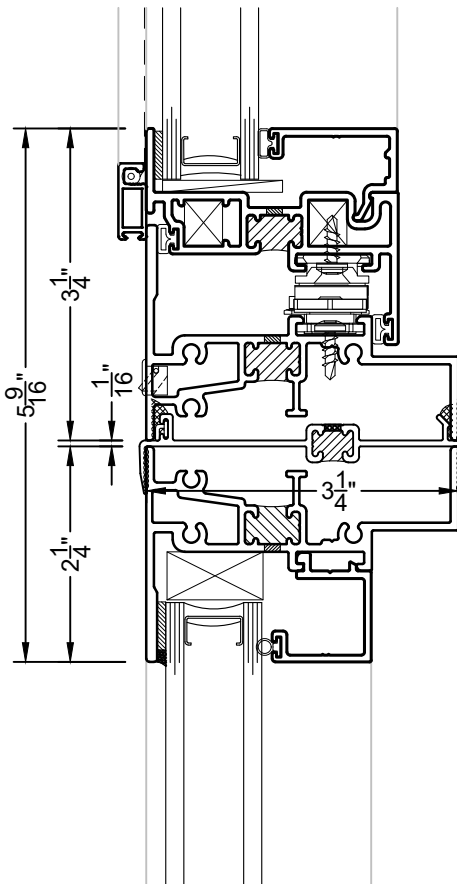
3 1/4" FRAME DEPTH



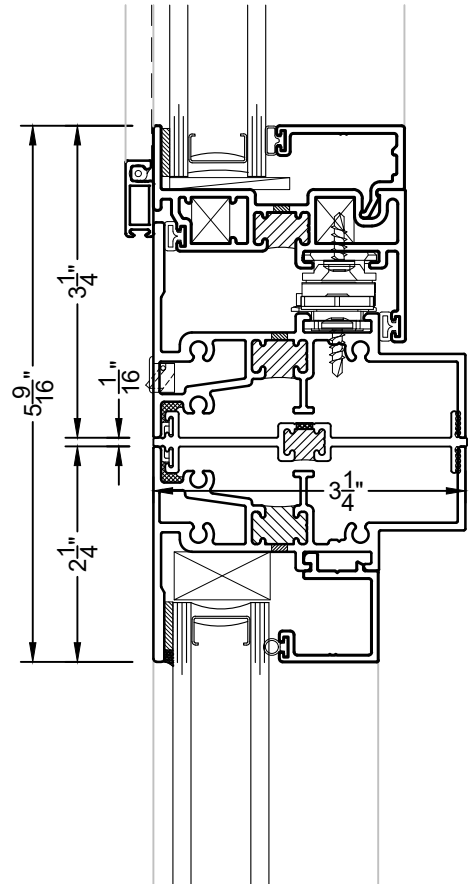
VER: 2020.03



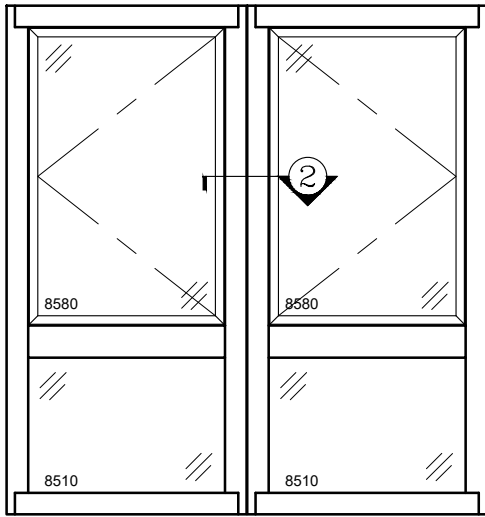
PW8580-2H OVER PW8510



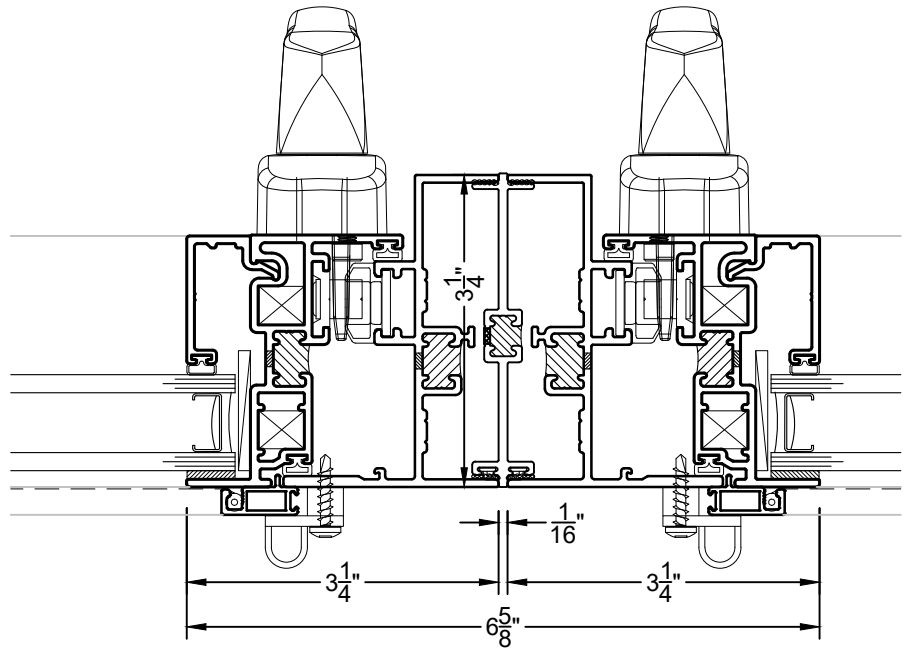
① STACK MULLION
 PI8580 OVER PW8510



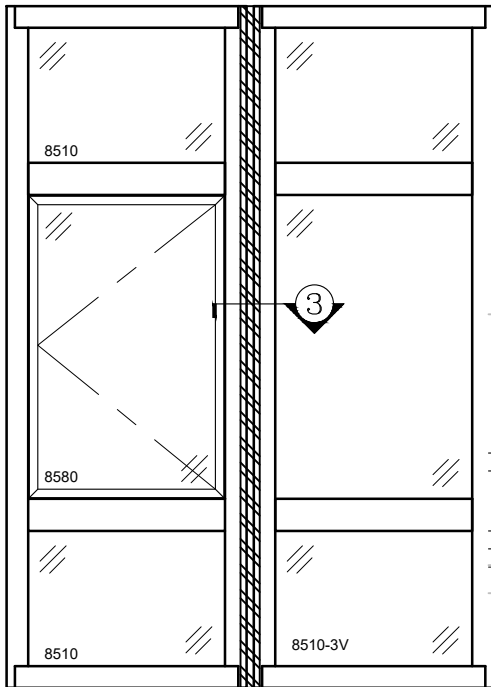
①A H MULLION
 PI8580 OVER PW8510



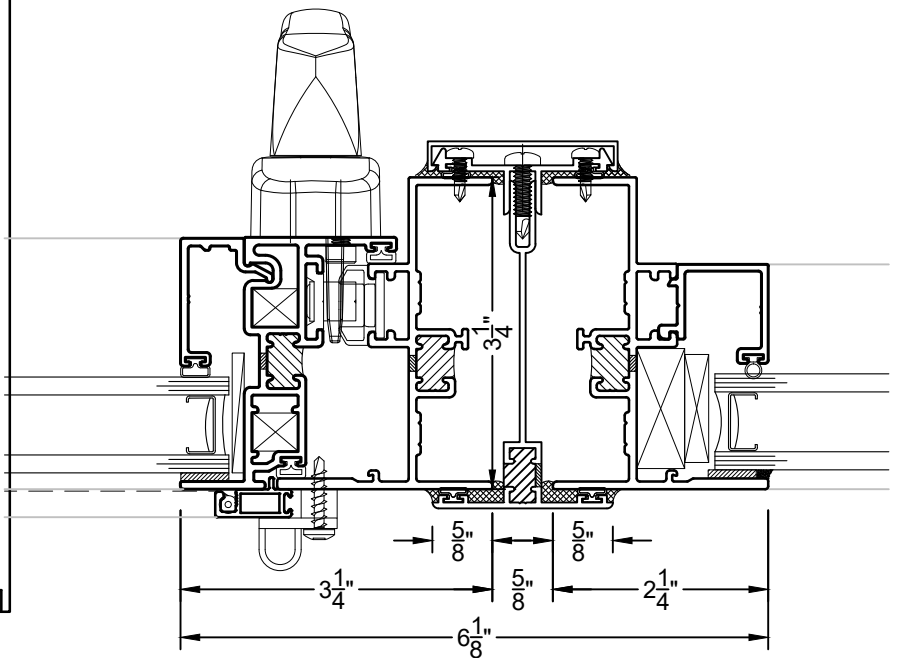
PI8580-2V & PI8580-2V WITH H MULLION



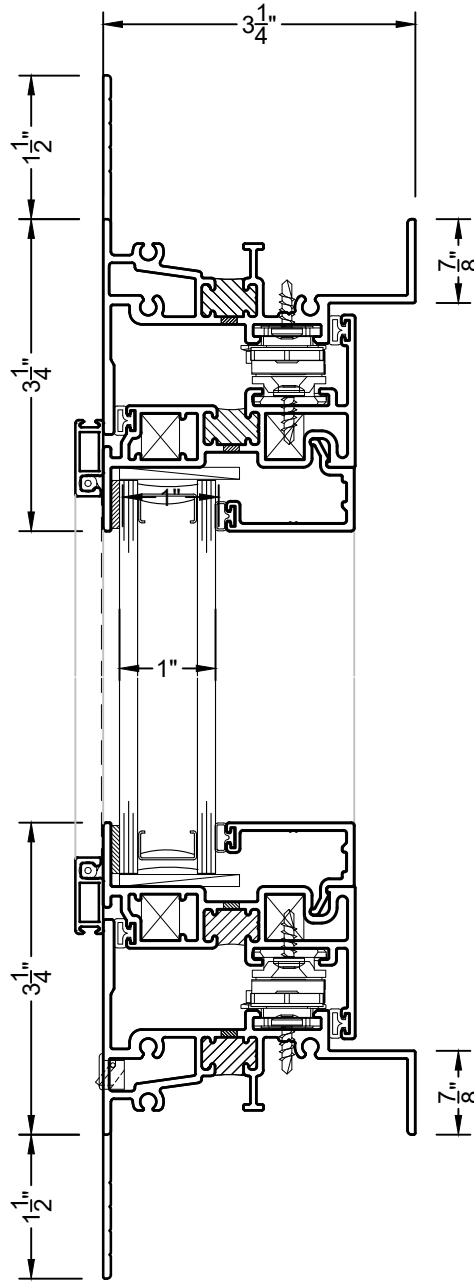
② H MULLION
 PI8580 & PI8580-2V



PI8580-3V & PW8510-3V
 WITH 3PC MULLION

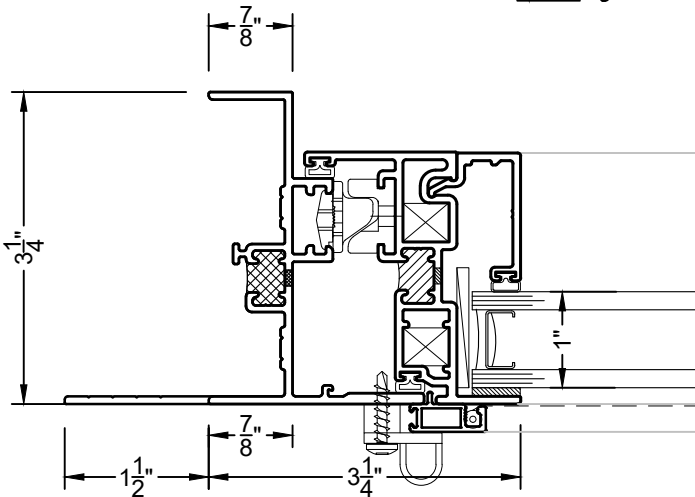


③ 3PC MULLION
 PI8580 & PW8510

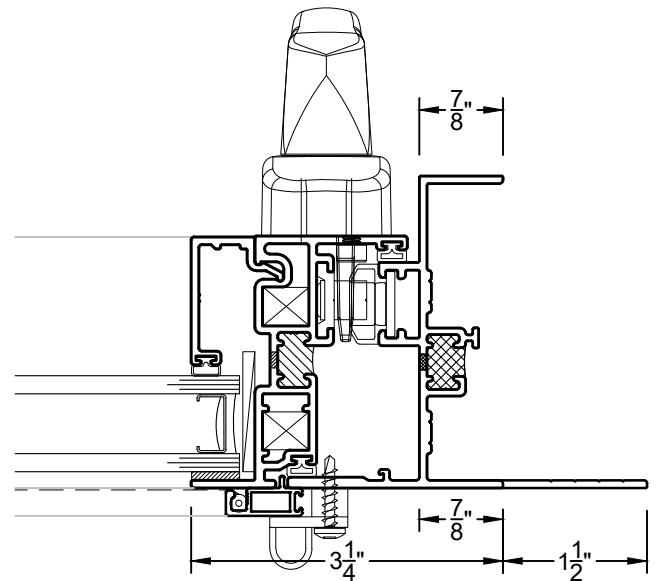


① 1-1/2" FLANGE HEAD
PI8580

② 1-1/2" FLANGE SILL
PI8580



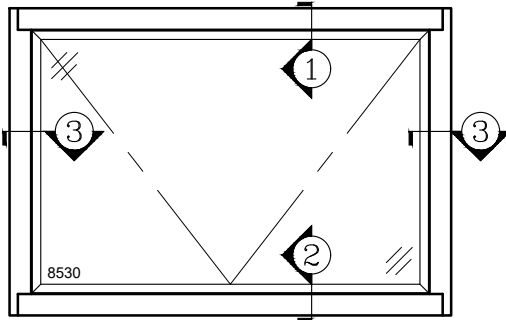
③ NAILFIN FIN JAMB
PI8580



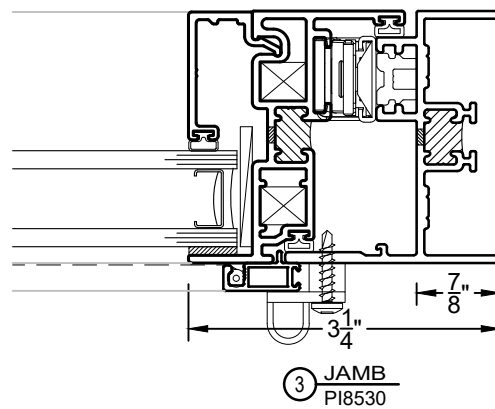
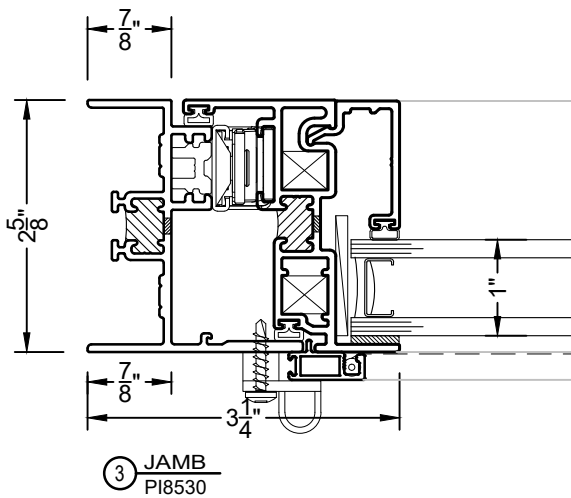
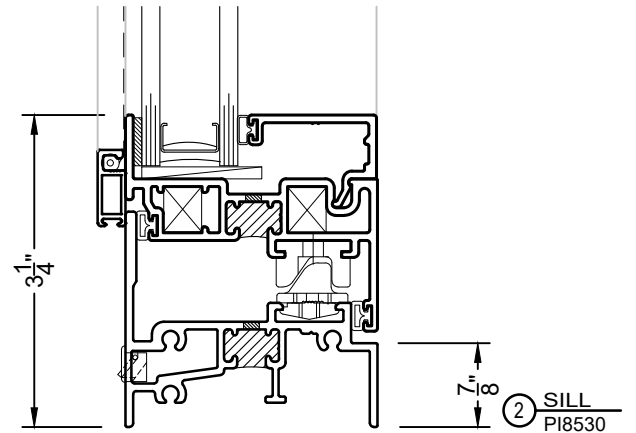
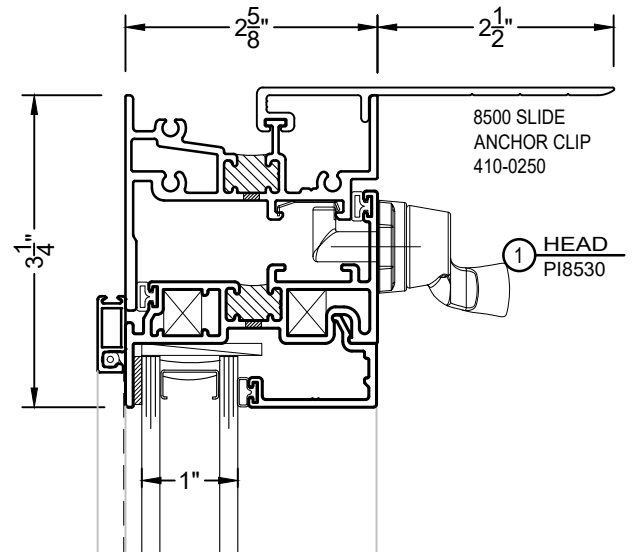
③ NAILFIN FIN JAMB
PI8580

VER: 2020.03

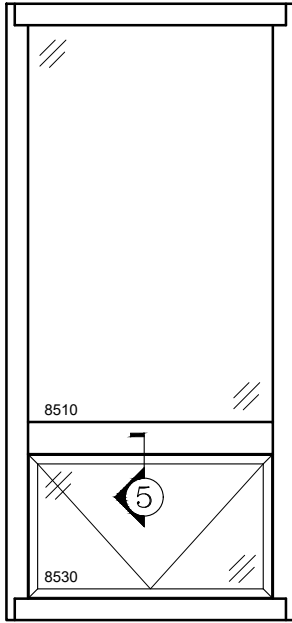
2⁵/₈" FRAME DEPTH



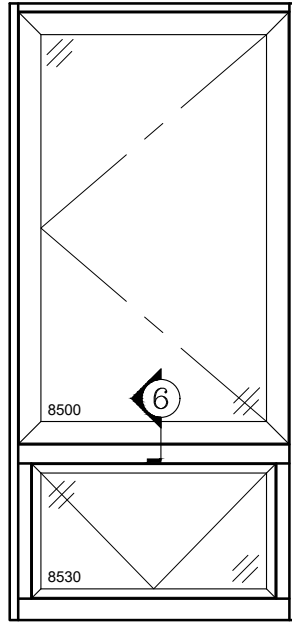
8530 PROJECT-IN WINDOW



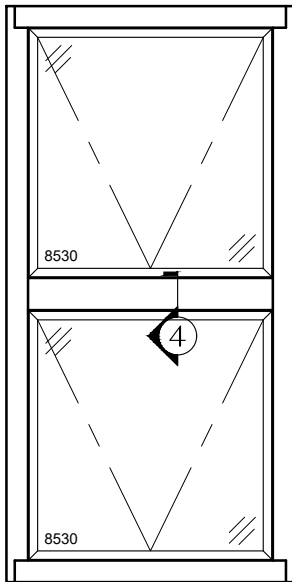
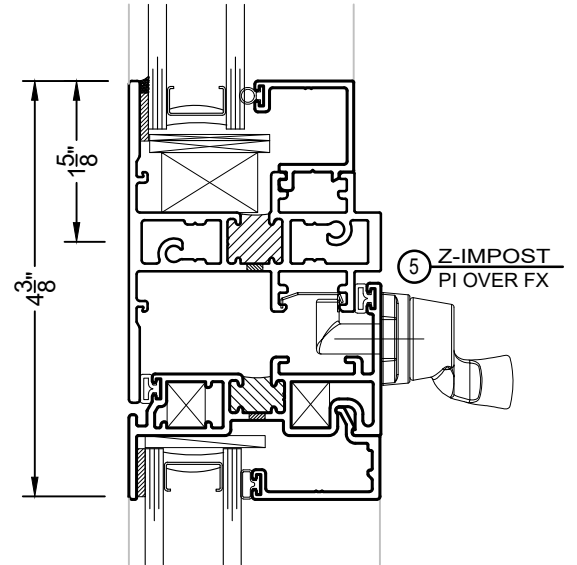
VER: 2020.03



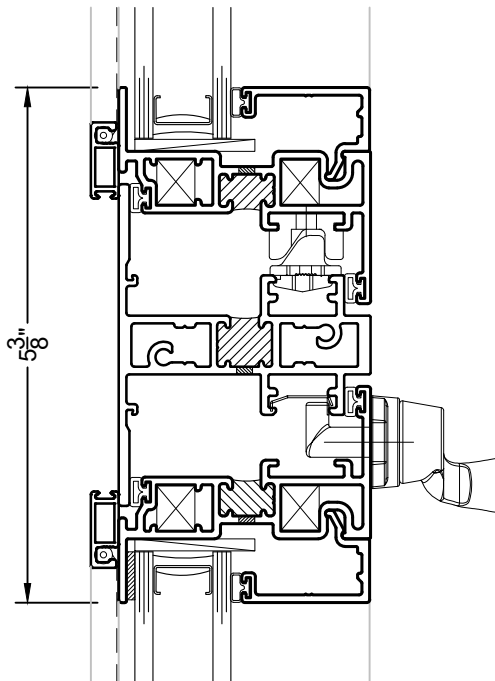
PI8530-2V
 FX OVER PI



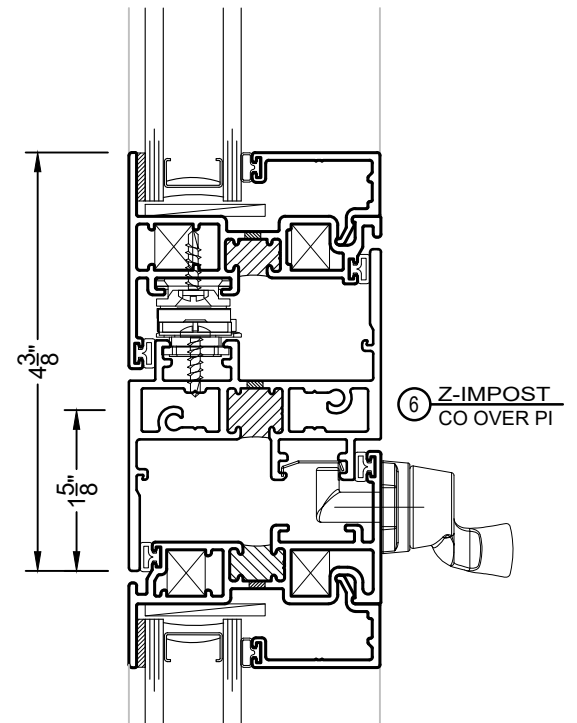
CO8500 OVER PI8530



PI8530-2V
 PI OVER PI OVER PI

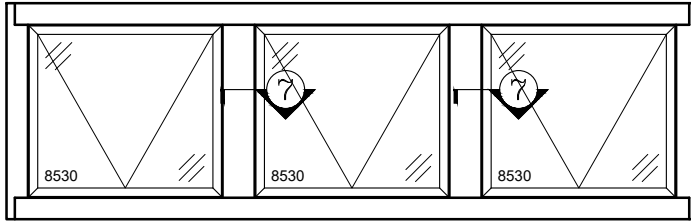


4 T-IMPOST
 PI OVER PI

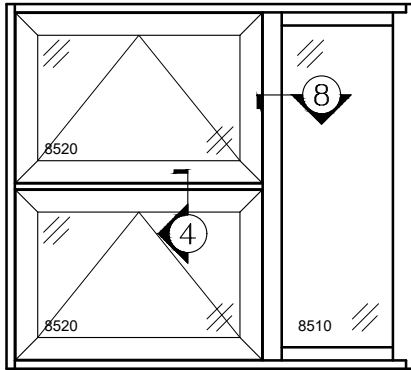


6 Z-IMPOST
 CO OVER PI

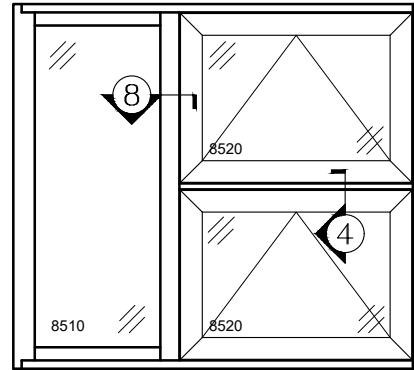
VER: 2020.03



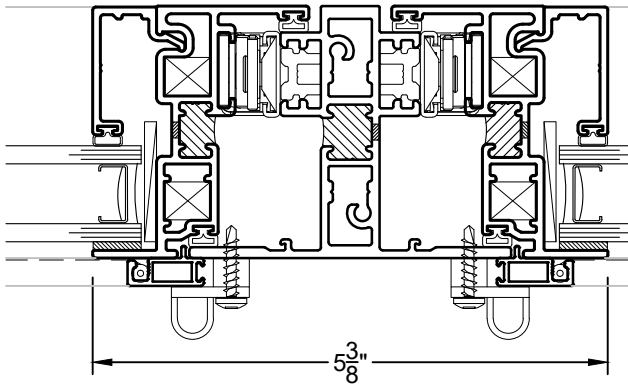
PI8530-2H PI & PI & PI



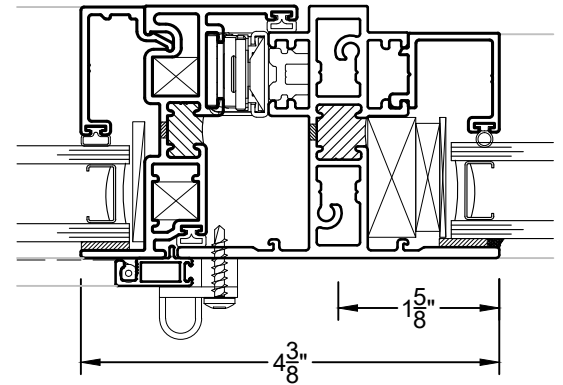
8530 THREE LITE
 PI OVER PI & FX



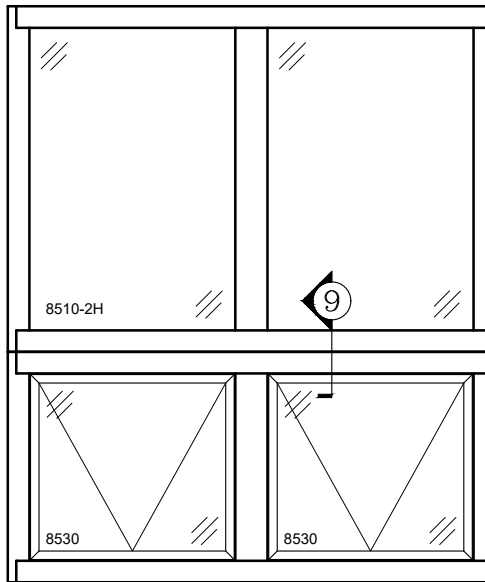
8500 THREE LITE
 FX & PI OVER PI



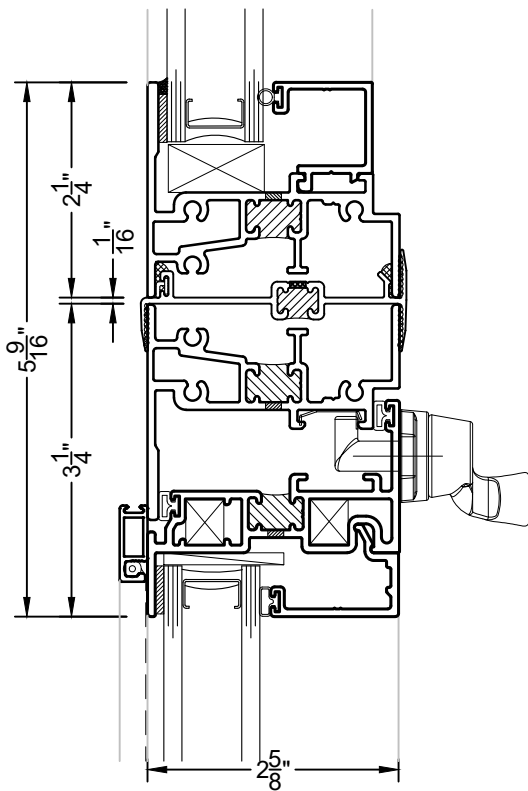
⑦ T-IMPOST
 PI-PI



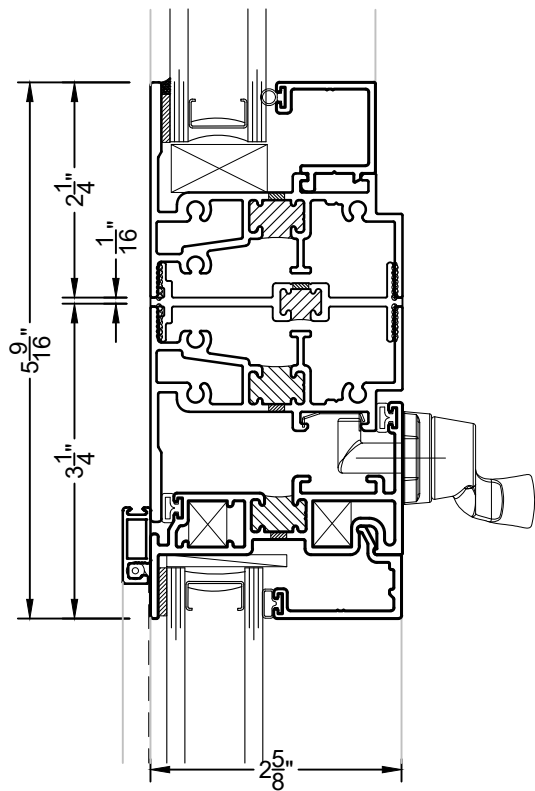
⑧ T-IMPOST
 PI-PI



PW8510-2H OVER PI8530-2H

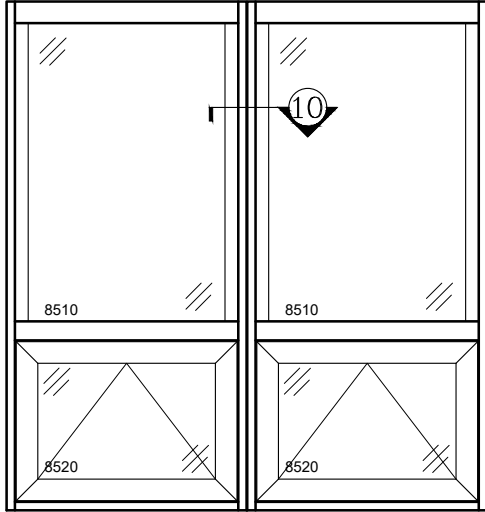


9 STACK MULLION
 PW8510 OVER PI8530

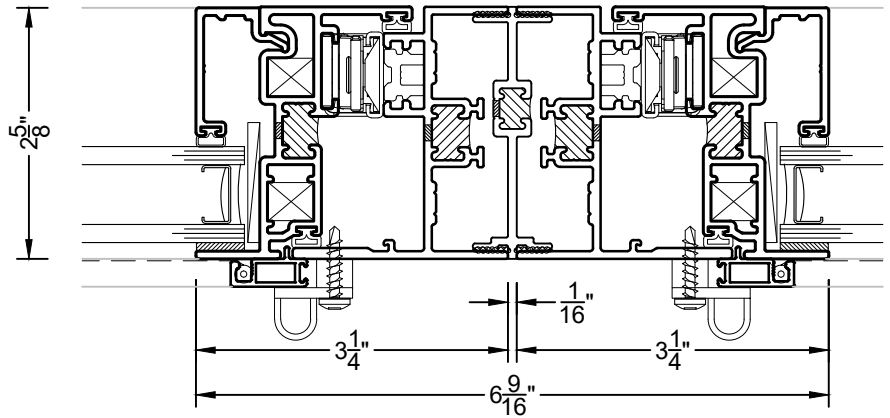


9A H MULLION
 PW8510 OVER PI8530

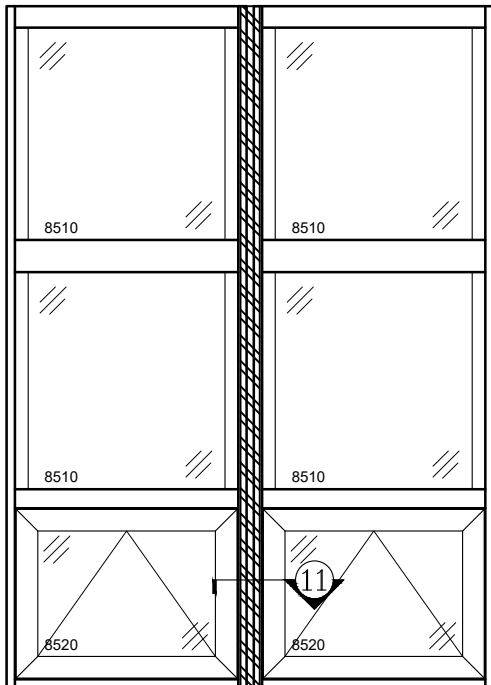
VER: 2020.03



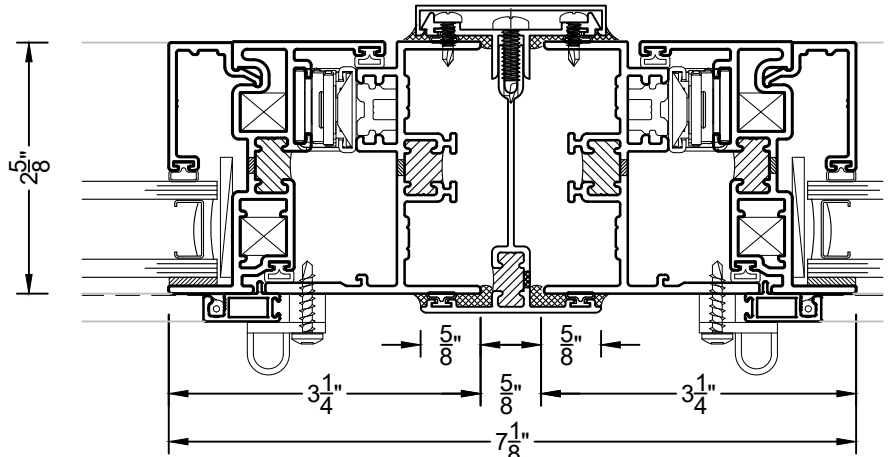
PI8530-2V & PI8530-2V WITH H MULLION



⑩ H MULLION
 PI8530 & PI8530

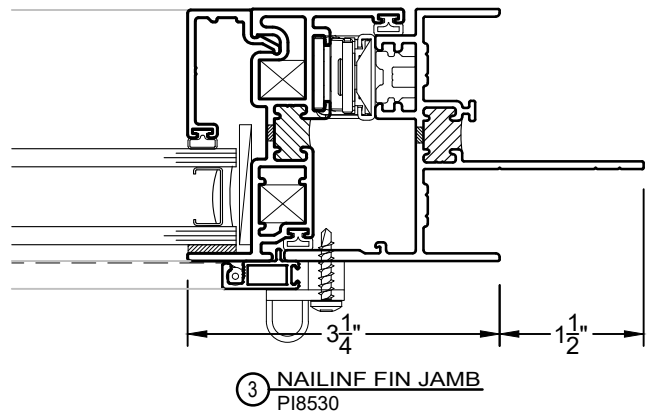
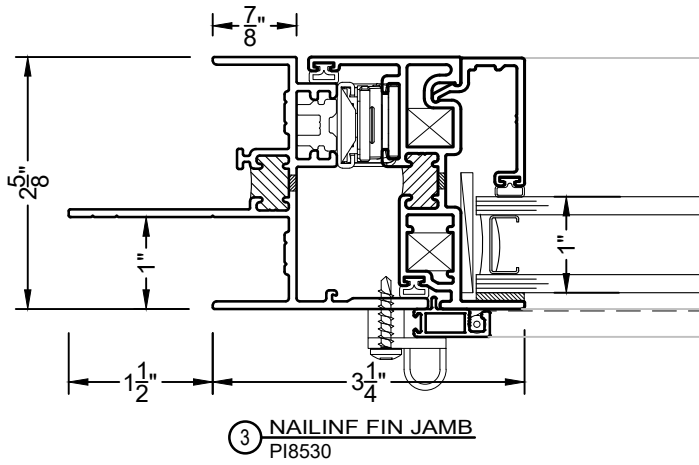
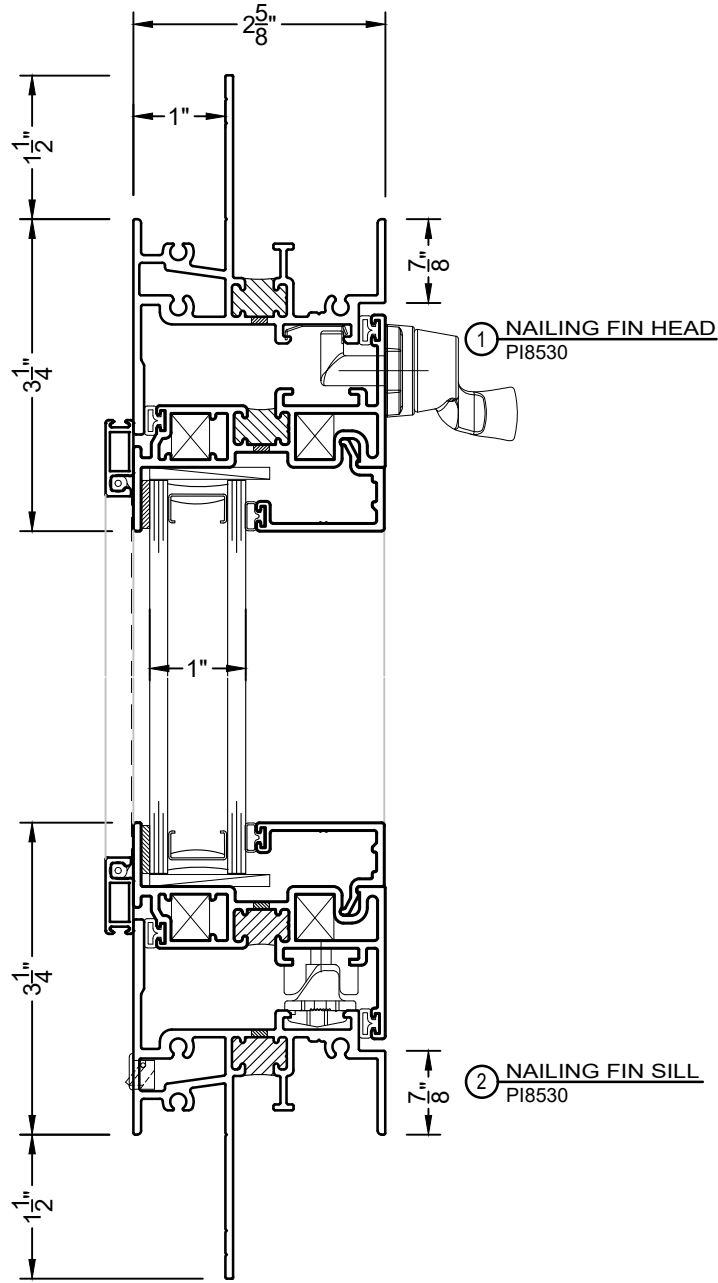


PI8530-3V & PI8530-3V WITH 3PC MULLION

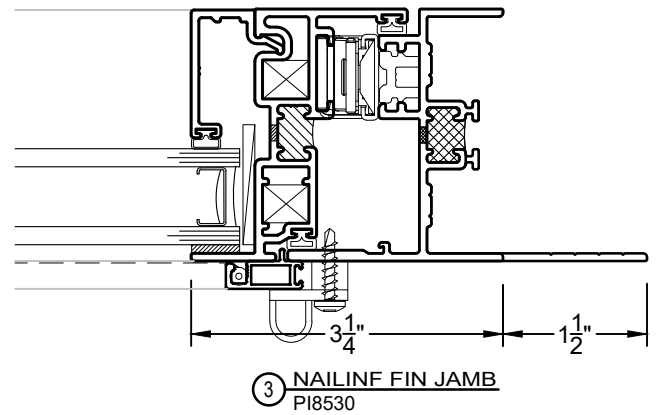
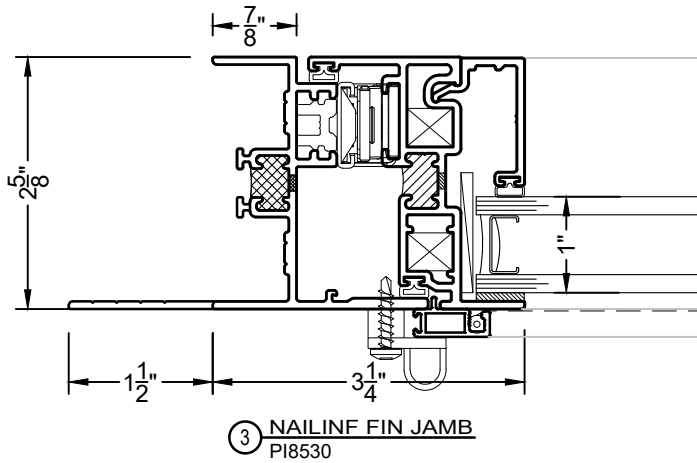
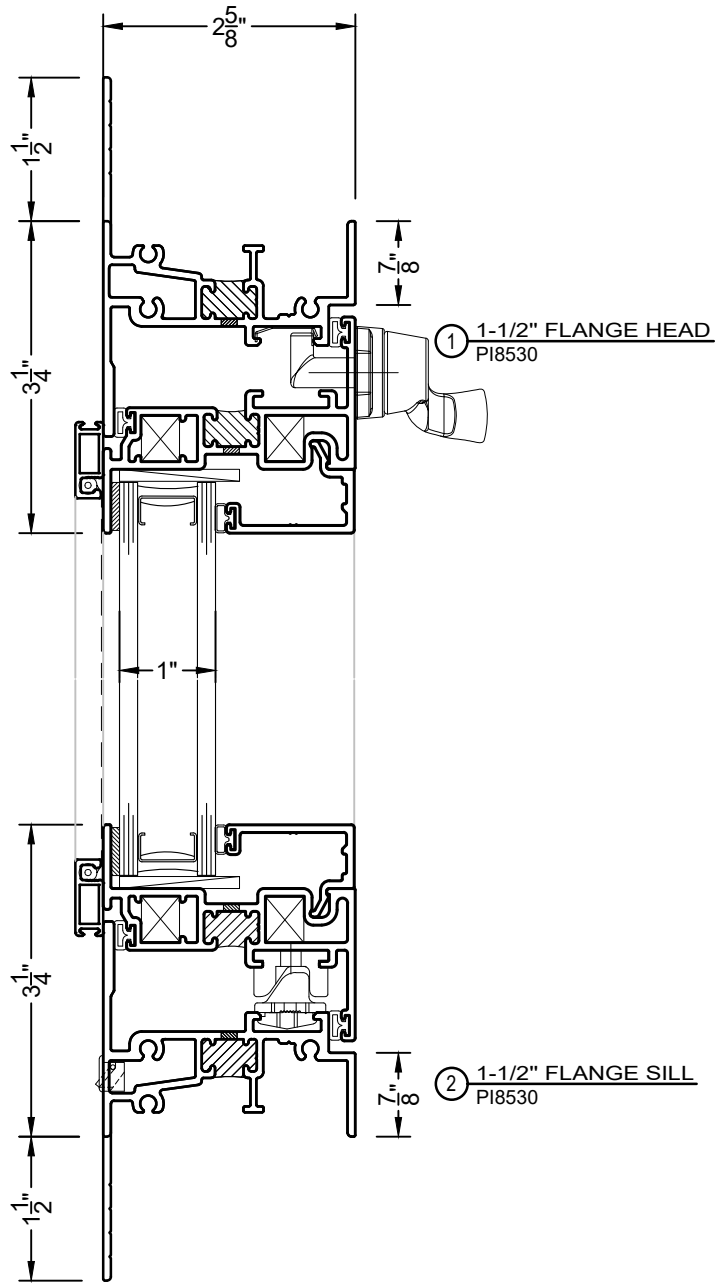


⑪ 3PC MULLION
 PI8530 & PI8530

VER: 2020.03

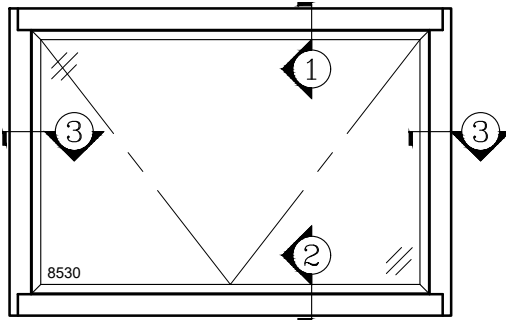


VER: 2020.03

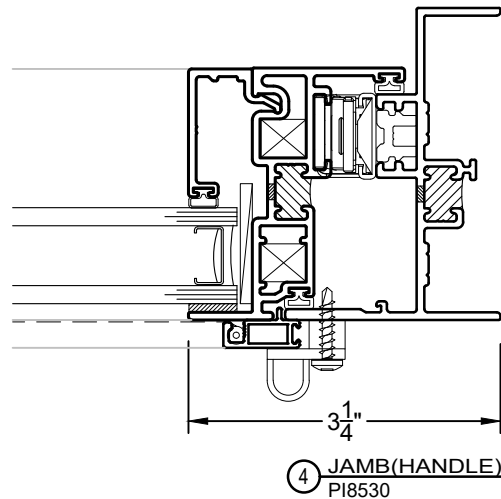
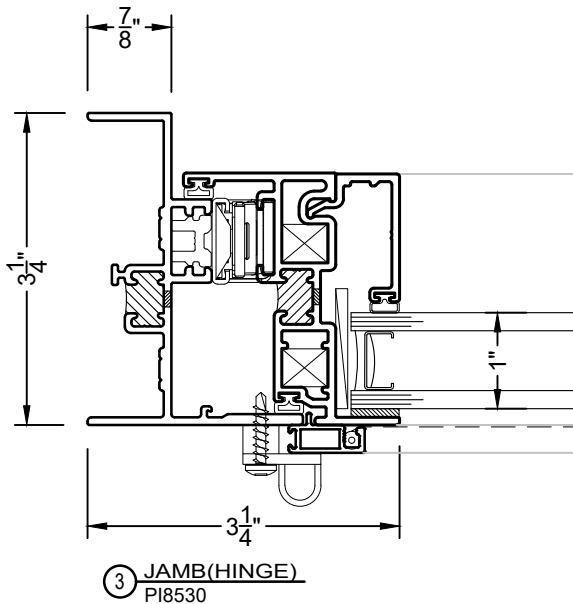
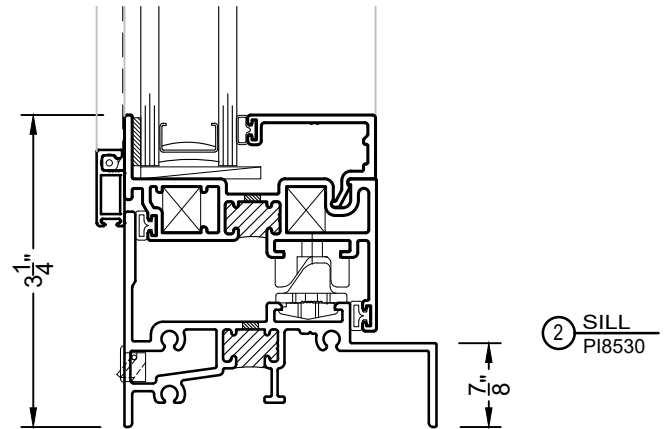
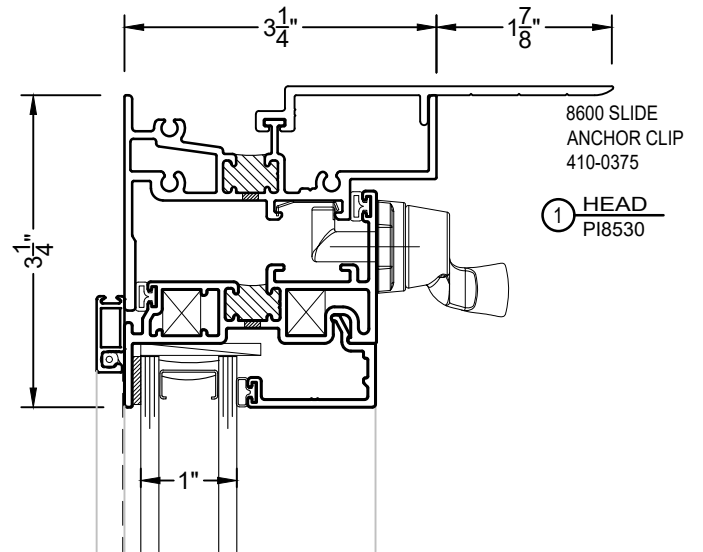


VER: 2020.03

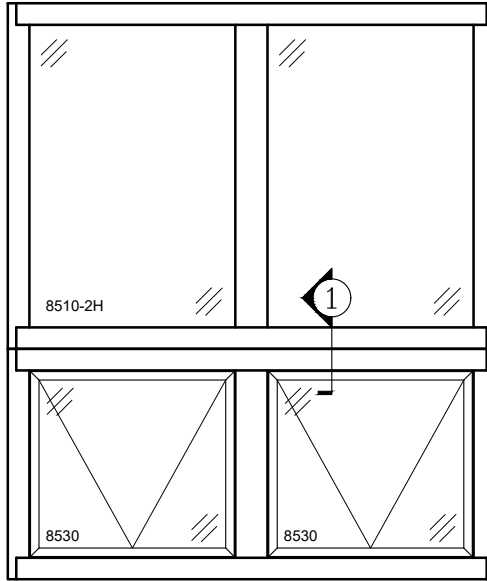
3 1/4" FRAME DEPTH



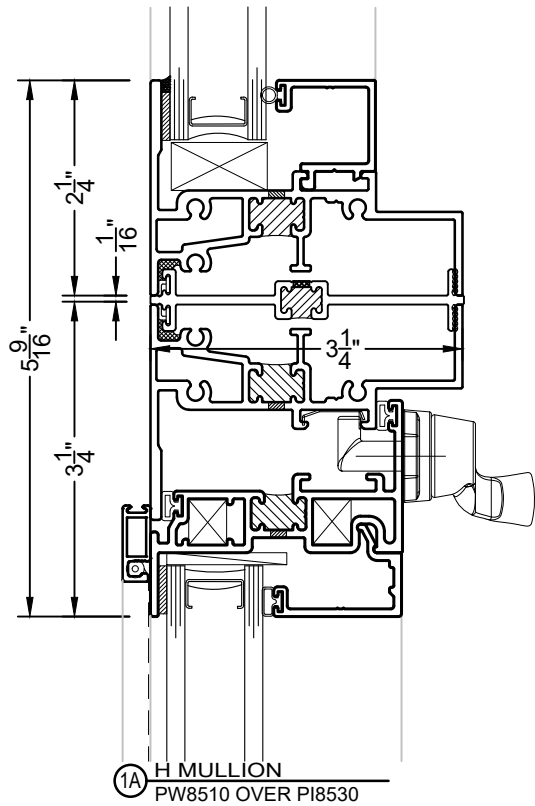
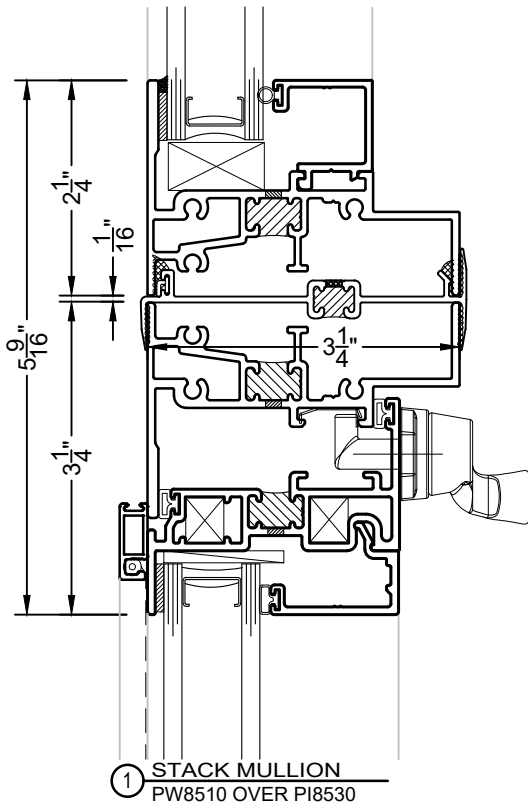
8530 PROJECT-IN WINDOW

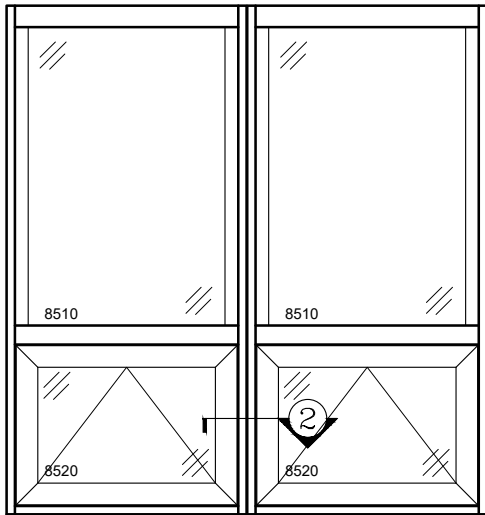


VER: 2020.03

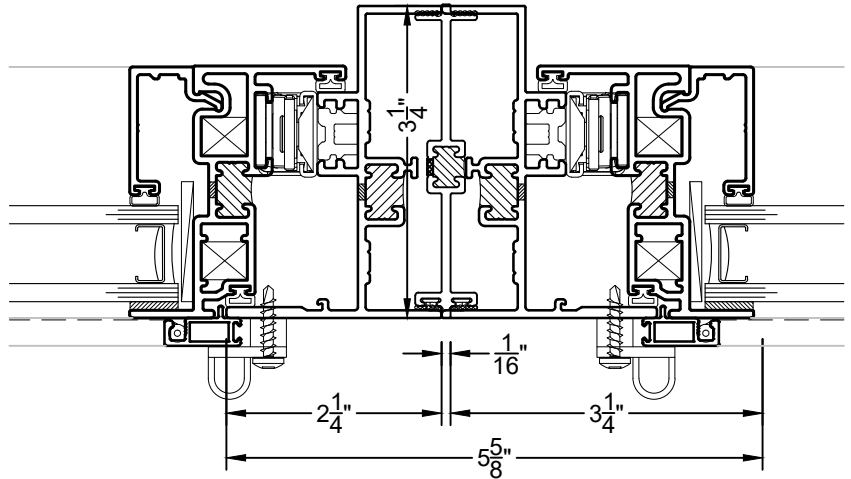


PW8510-2H OVER PI8530-2H

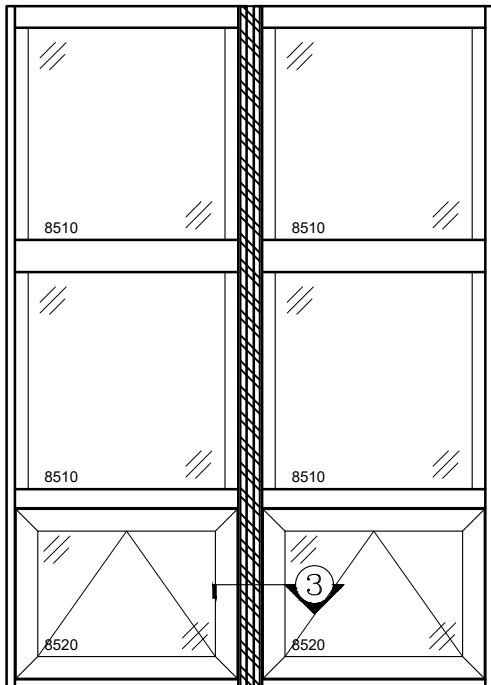




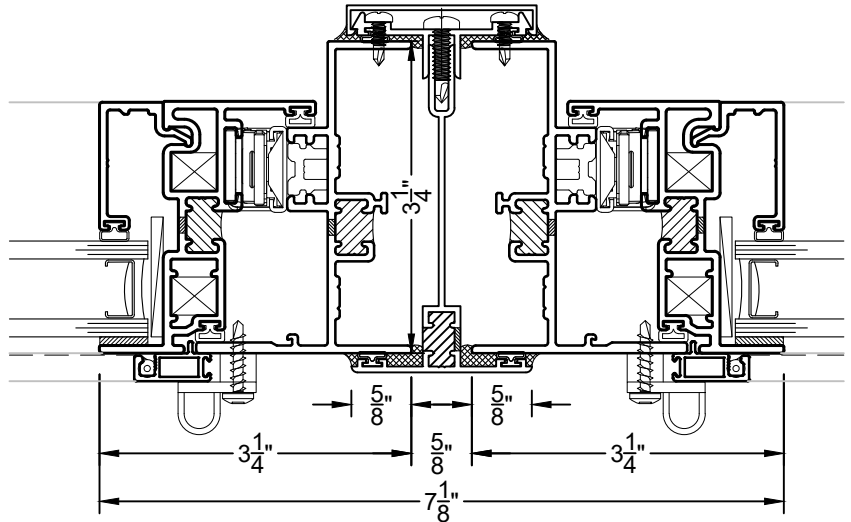
PI8530-2V & PI8530-2V WITH H MULLION



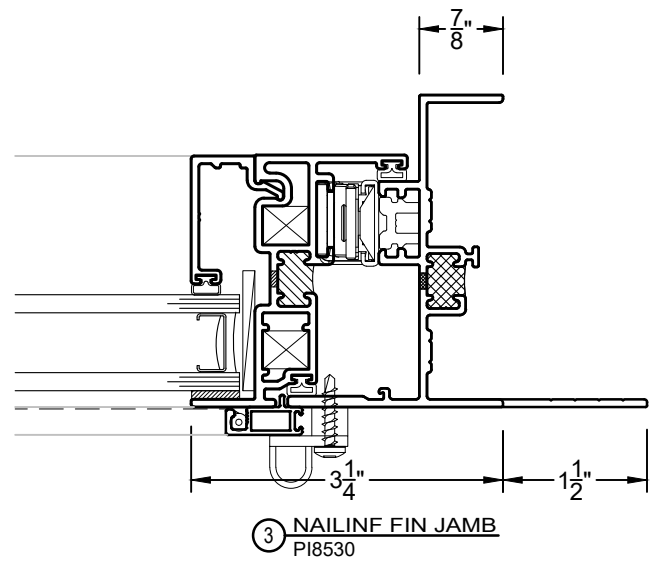
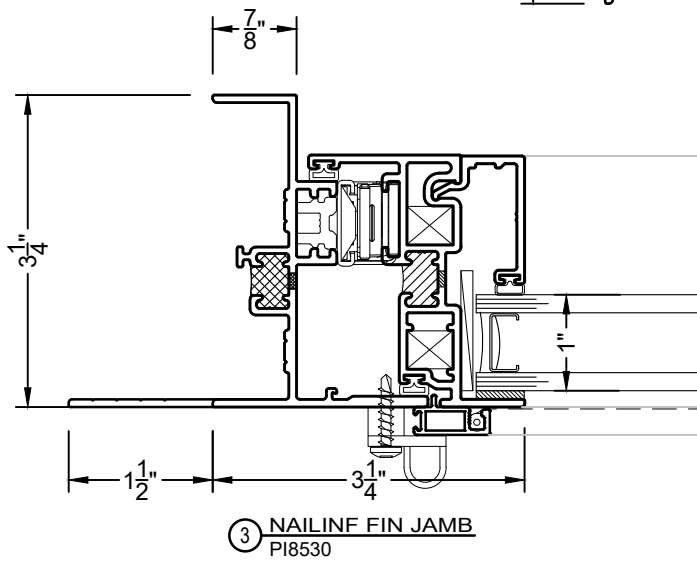
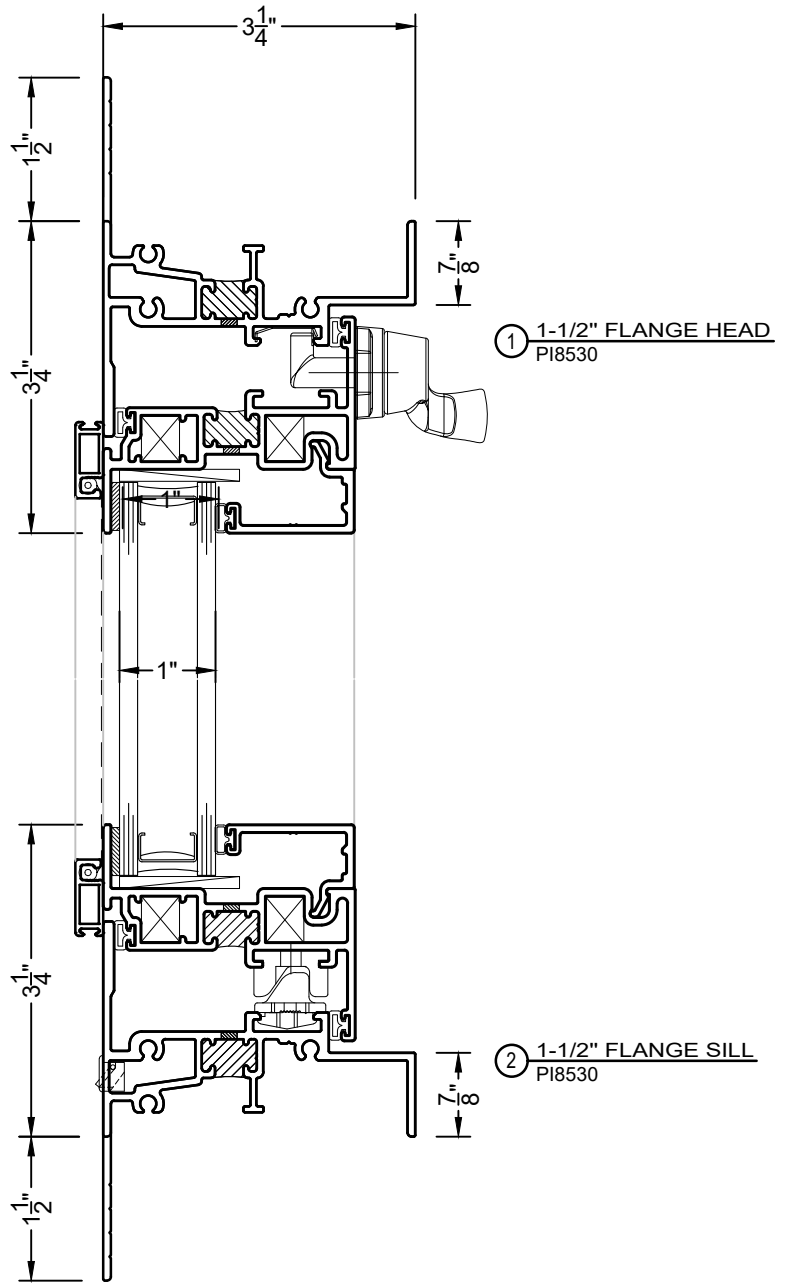
② H MULLION
 PI8530 & PI8530



PI8530-3V & PI8530-3V
 WITH 3PC MULLION



③ 3PC MULLION
 PI8530 & PI8530



VER: 2020.03