

**SERIES 8800 IN-SWING
 SERIES 8830 PROJECT-IN WINDOWS**

TEST SIZE W X H	AAMA RATING	AIR INFILTRATION	DESIGN PRESSURE	WATER RESISTANCE	U- FACTOR	SHGC	VT
48" x 80"	AW-PG80	≤0.30 cfm/ft ²	80 psf	12 psf	0.37-0.53	0.17-0.48	0.36-0.51
36" x 60"	AW-PG100	≤0.30 cfm/ft ²	100 psf	12 psf			



TABLE OF CONTENT

8800 IN-SWING CASEMENT WINDOW (PAGE 2-10)

- 2⁵/₈" FRAME (PAGE 2-7)
 - SECTION DETAILS -P2
 - MULLION -P3-P6
 - APPLIED ON FLANGE -P7
 - ANCHOR CLIP -P7
- 3¹/₄" FRAME (PAGE 8-10)
 - SECTION DETAILS -P8
 - MULLION -P9-P10

8830 PROJECT IN WINDOW (PAGE 11-16)

- 2⁵/₈" FRAME (PAGE 11-13)
 - SECTION DETAILS -P11
 - MULLION -P12-P13
- 3¹/₄" FRAME (PAGE 14-16)
 - SECTION DETAILS -P14
 - MULLION -P15-P16

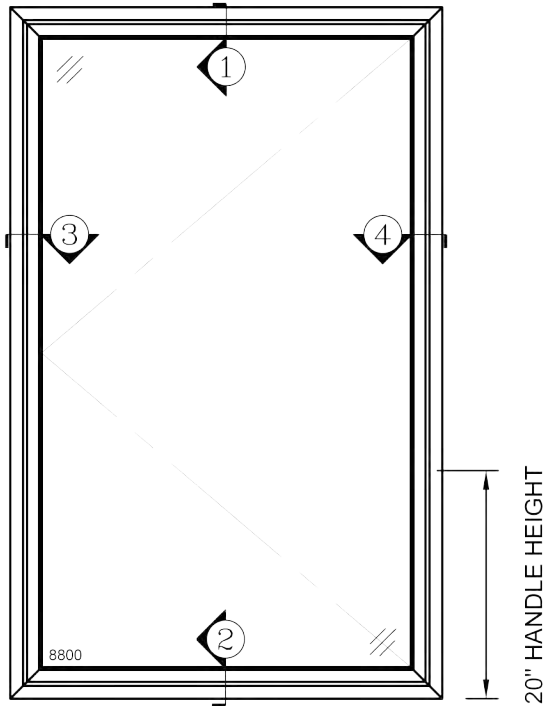
FEATURES

- ALUMINUM THERMAL-BREAK IN-SWING / PROJECT IN WINDOW
- 2-5/8" FRAME DEPTH
- 1-1/4" DOUBLE PANE INSULATED GLASS
- AAMA 2604 POWDER COAT PAINT
- HEAVY DUTY EXTRUSION
- POLYAMIDE THERMAL BARRIER
- EUROPEAN-STYLE FRAME & CORNER KEYS
- CONCEALED HEAVY DUTY STAINLESS STEEL 4-BAR HINGES
- TRIPLE GASKET SEAL
- PRESSURE-EQUALIZED DESIGN
- ZERO-SIGHTLINE SASH
- LEVER HANDLE ON INTERIOR SASH

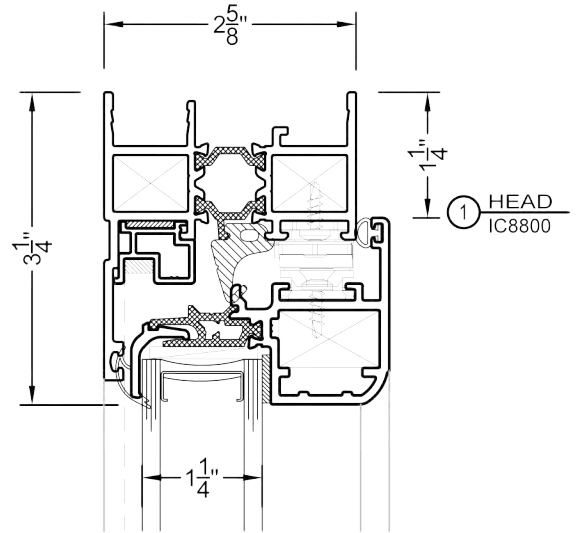
OPTIONAL SELECTIONS

- LOW-E COATING & ARGON FILLED IGU
- CUSTOM FINISH AND CUSTOM COLOR
- 3-1/4" FRAME DEPTH
- GRIDS
- 1-1/4" OR 3-1/4" APPLIED ON FACE FLANGE ON 2-5/8" FRAME ONLY
- BUTT HINGE
- FULL SCREEN
- LIMIT DEVICES
- EXTENDED LEVER HANDLE
- OTHER OPTIONAL ACCESSORIES

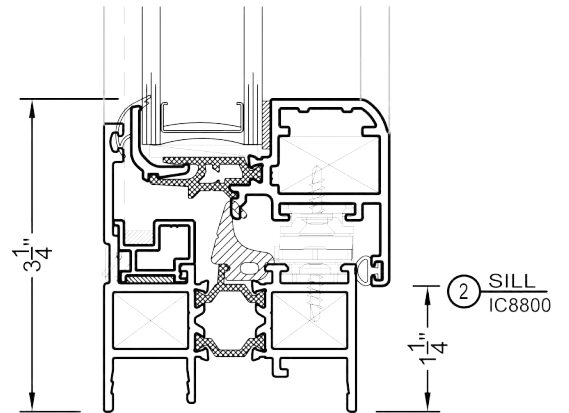
2⁵/₈" FRAME DEPTH



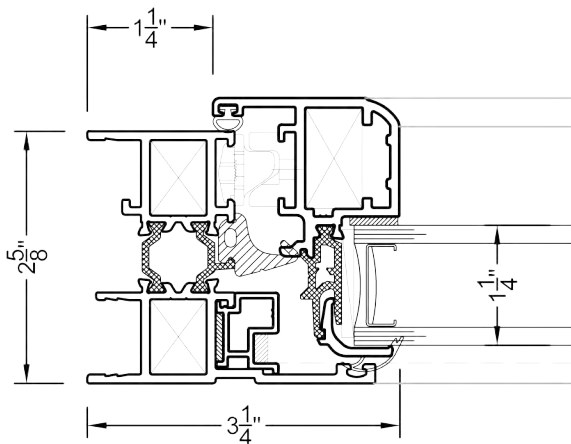
8800 IN-SWING CASEMENT WINDOW



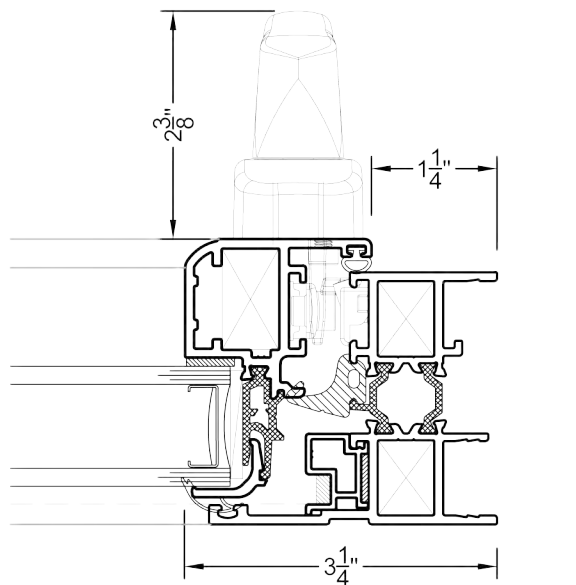
① HEAD
IC8800



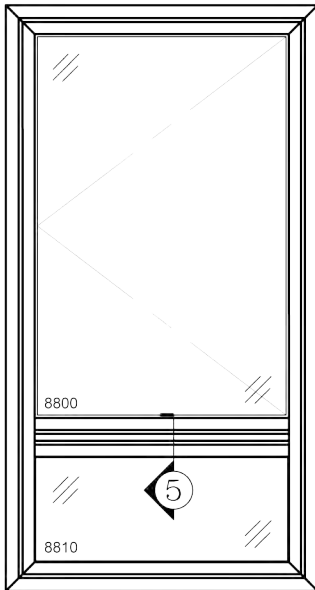
② SILL
IC8800



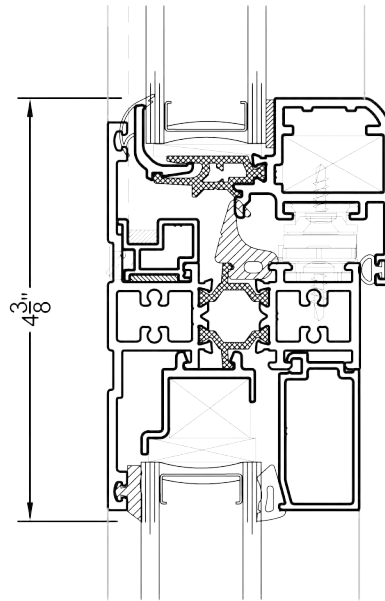
③ JAMB(HINGE)
IC8800



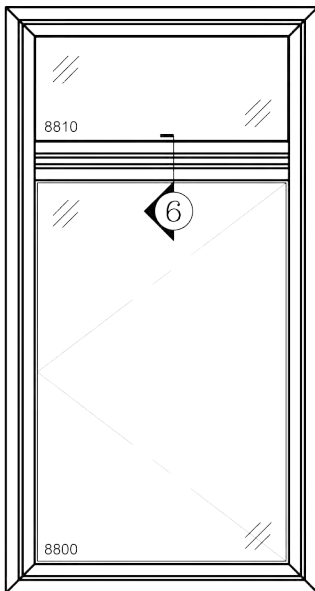
④ JAMB(HANDLE)
IC8800



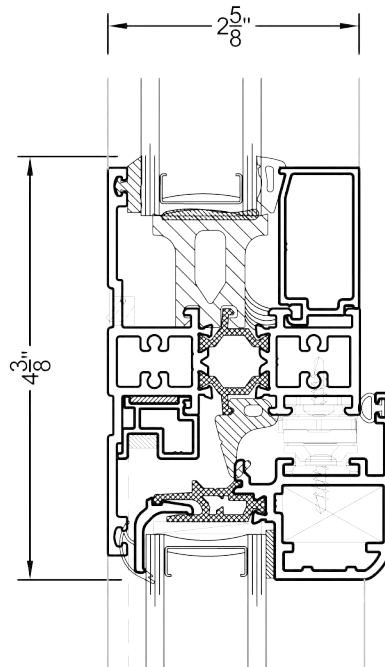
PW8800-2V CASEMENT OVER FIXED



5 T IMPOST
 IC8800 OVER PW8810

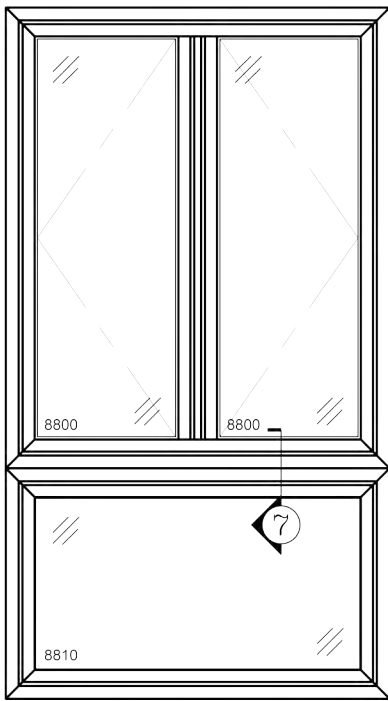


PW8800-2V FIXED OVER CASEMENT

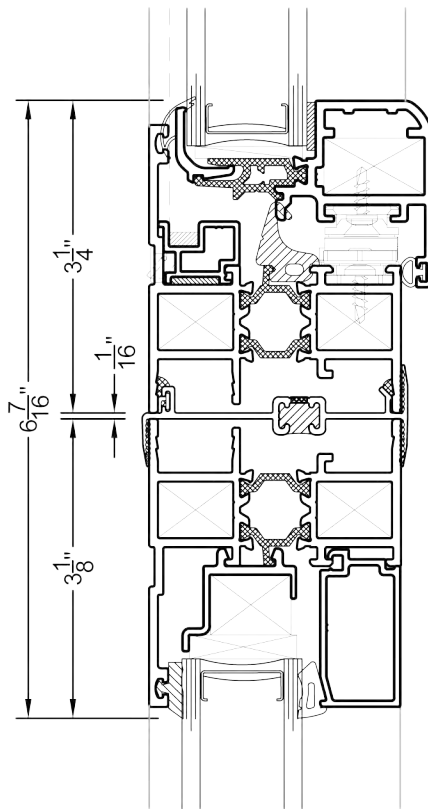


6 T IMPOST
 PW8810 OVER IC8800

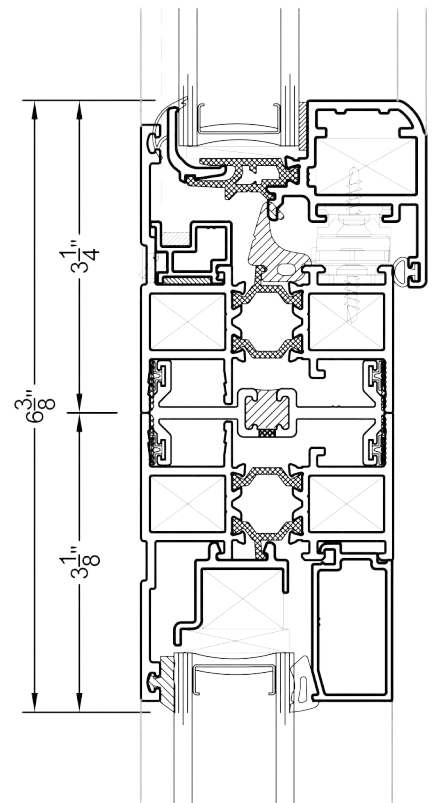
VER: 2020.03



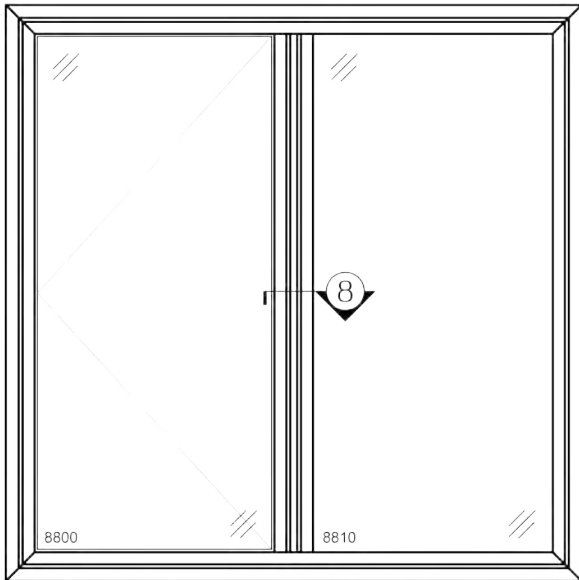
IC8800-2H OVER PW8810



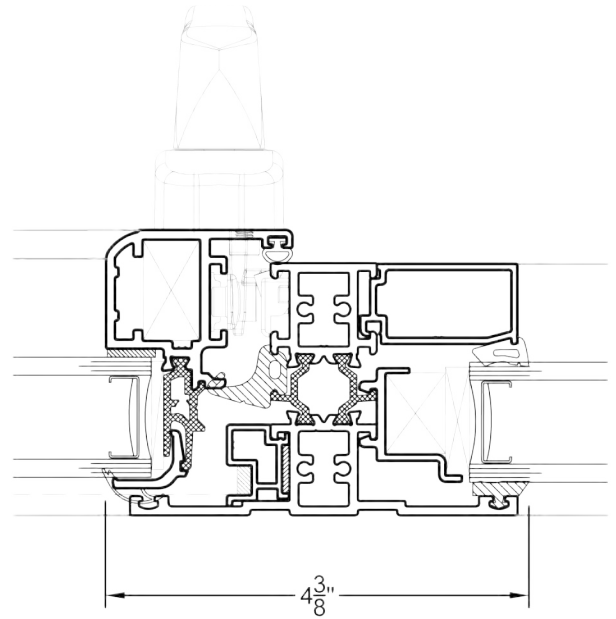
⑦ STACK MULLION
 IC8800 OVER PW8810



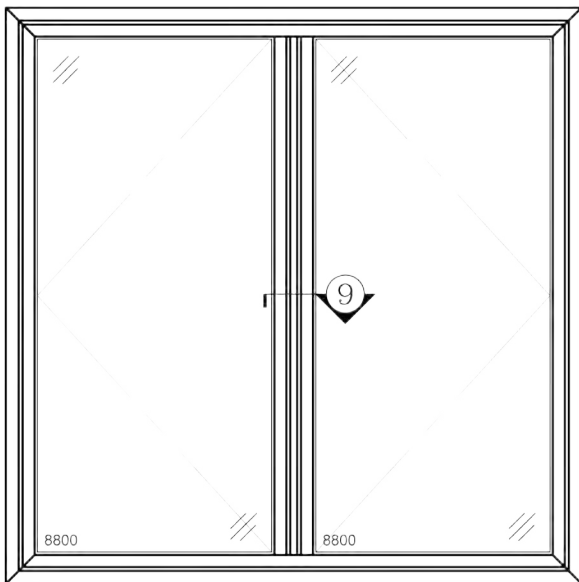
⑦A H MULLION
 IC8800 OVER PW8810



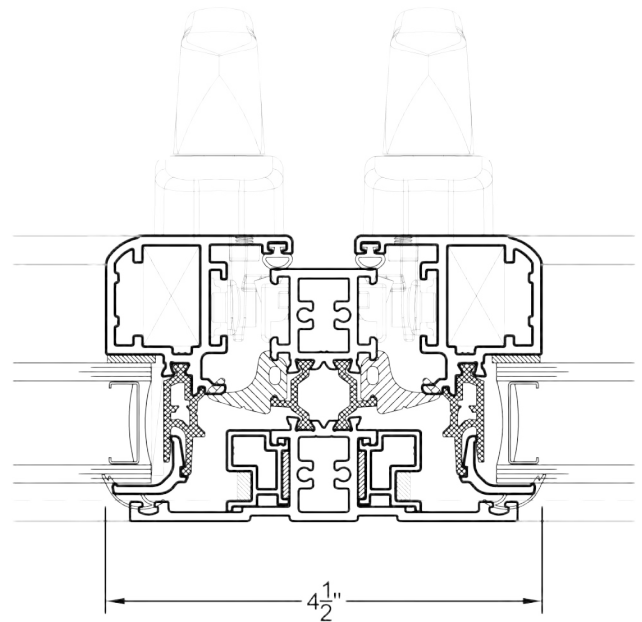
PW8800-2H CASEMENT-FIXED WINDOW



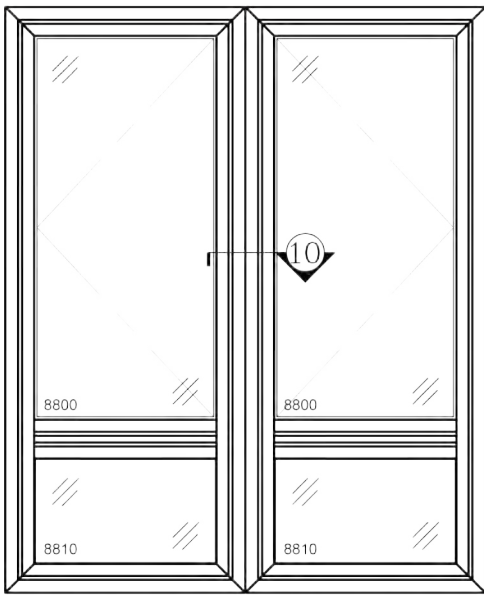
8 T IMPOST
 IC8800 & PW8810



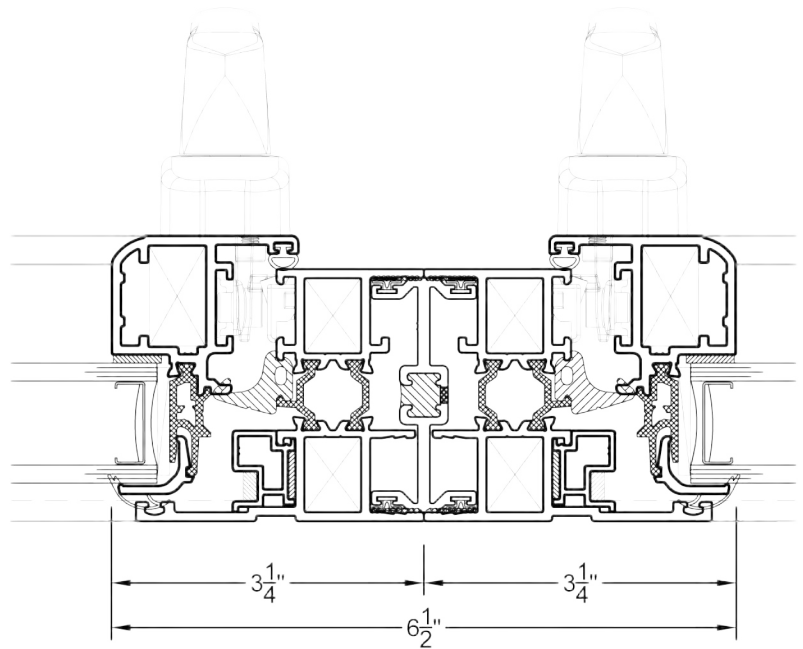
PW8800-2H TWIN CASEMENT



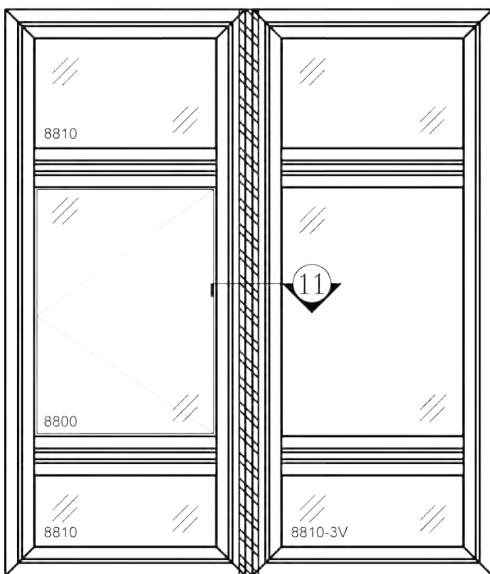
9 T IMPOST
 IC8800 & IC8800



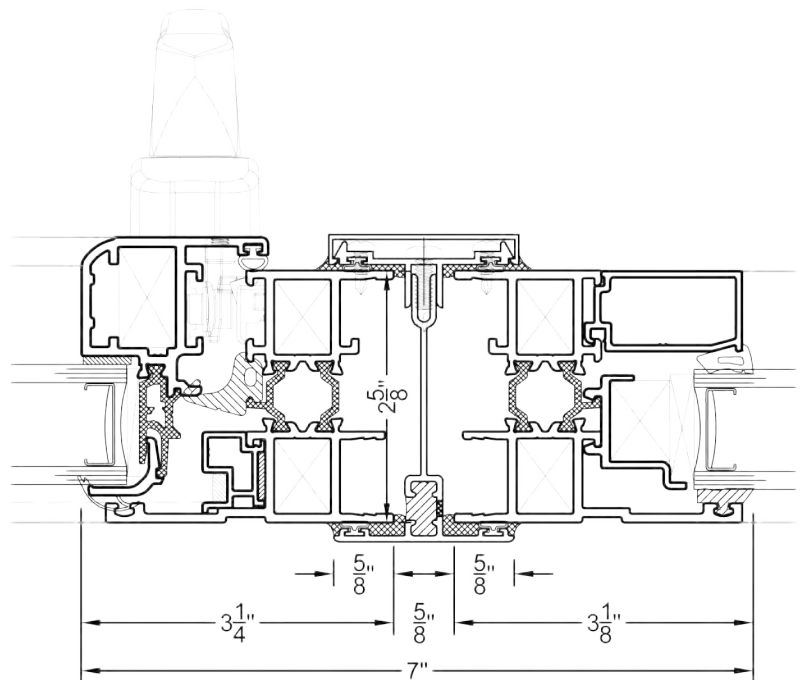
PW8800-2V & PW8800-2V WITH H MULLION



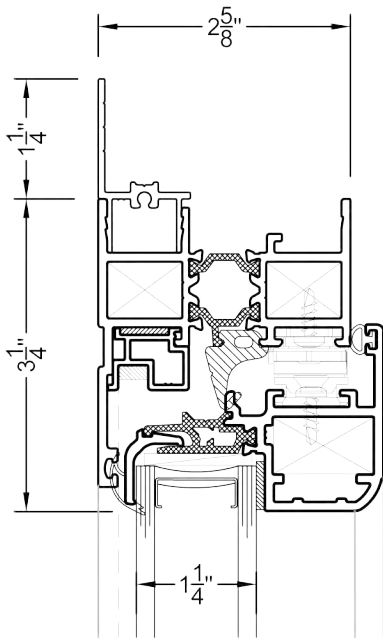
⑩ H MULLION
 IC8800 & IC8800



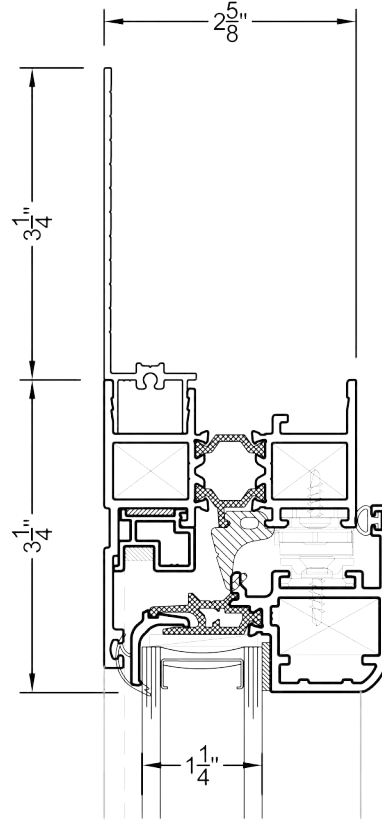
PW8800-3V & PW8810-3V
 WITH 3PC MULLION



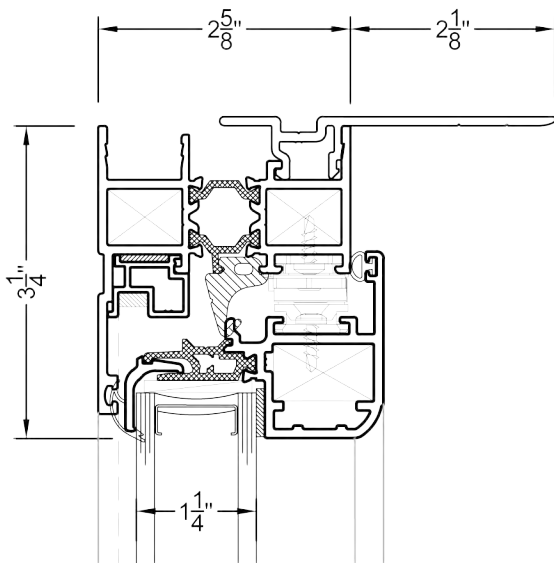
⑪ 3PC MULLION
 IC8800 & PW8810



① HEAD W/ 1-1/4" APPLIED ON FLANGE
 IC8800

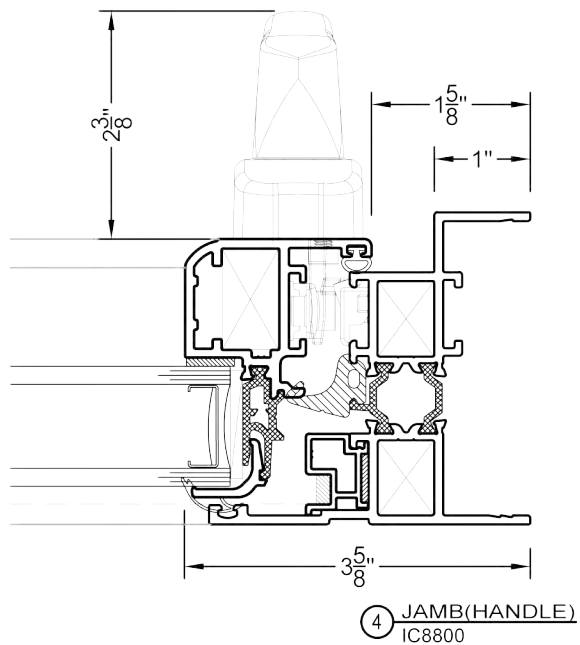
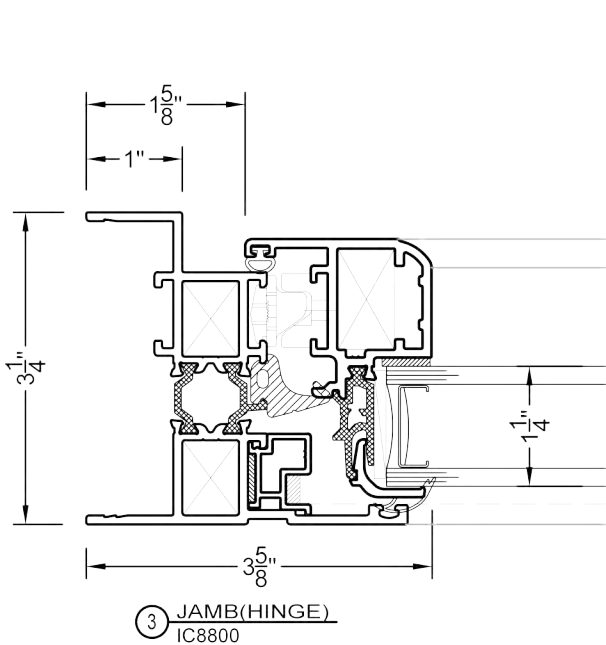
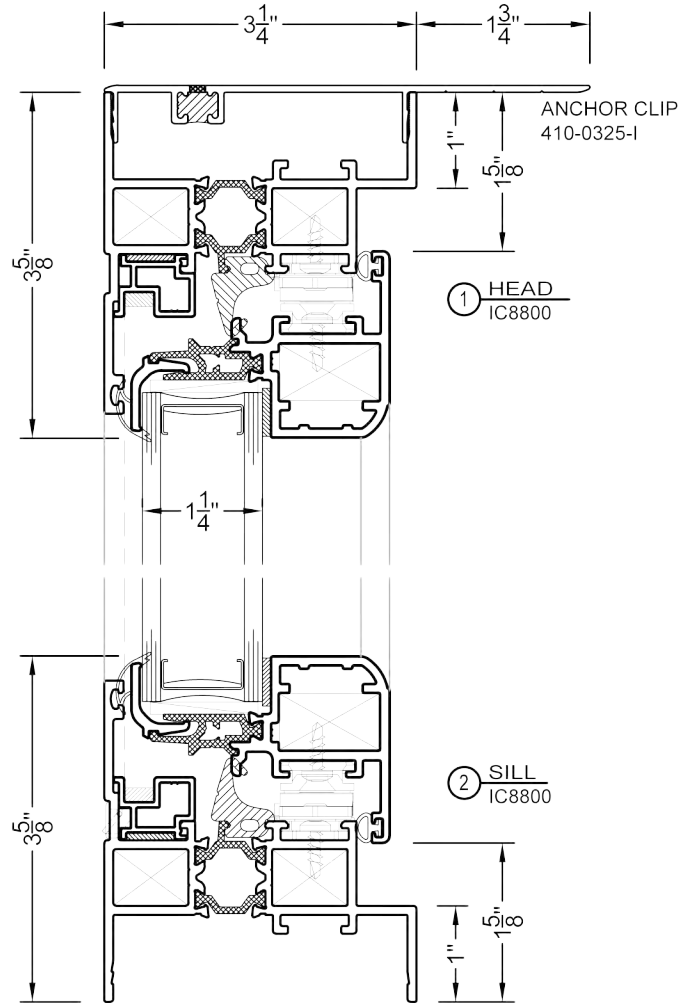
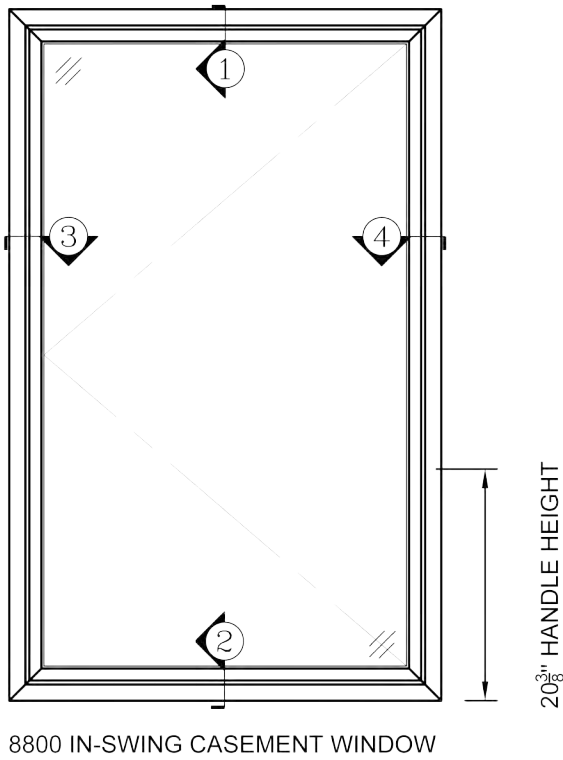


①B HEAD W/ 3-1/4" APPLIED ON FLANGE
 IC8800

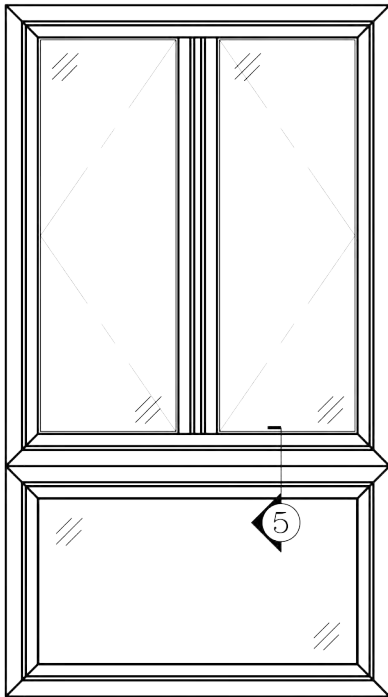


② HEAD W/ SNAP ON ANCHOR CLIP
 IC8800

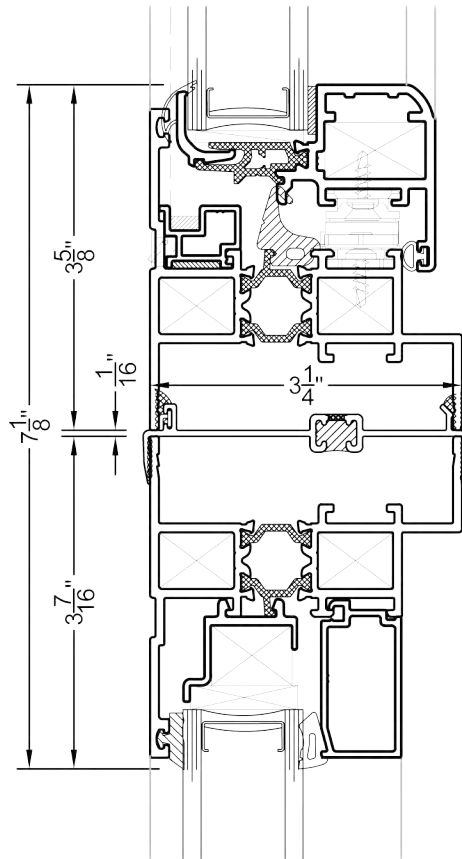
3 1/4" FRAME DEPTH



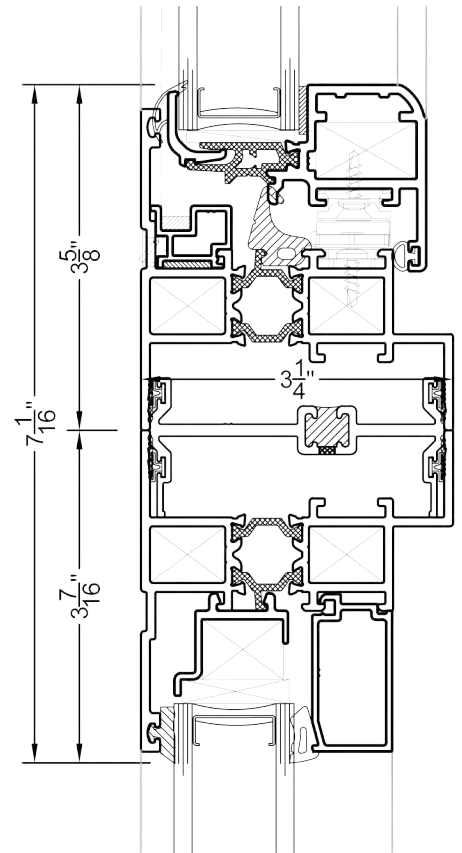
VER: 2020.03



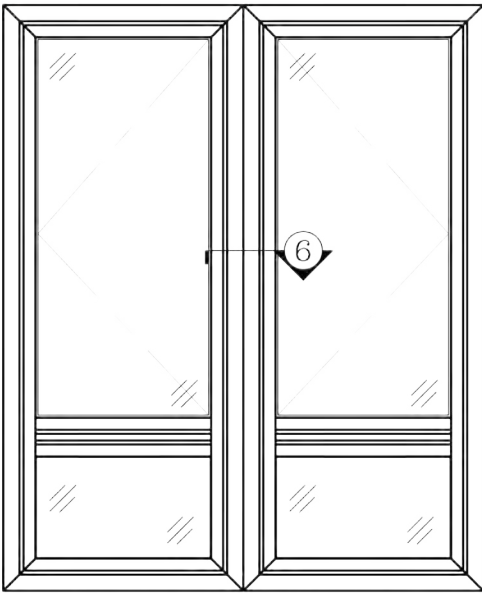
IC8800-2H OVER PW8810



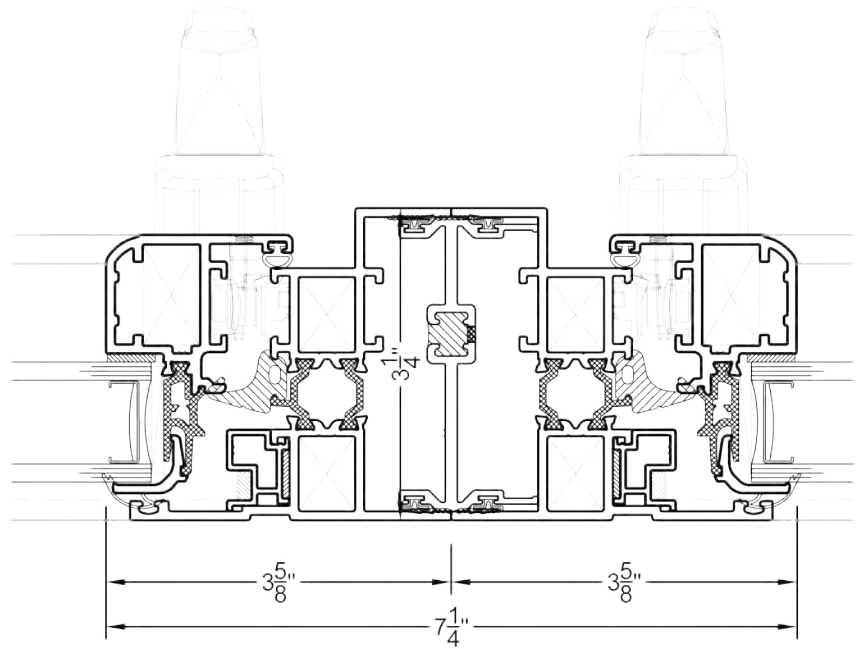
5 STACK MULLION
 IC8800 OVER PW8810



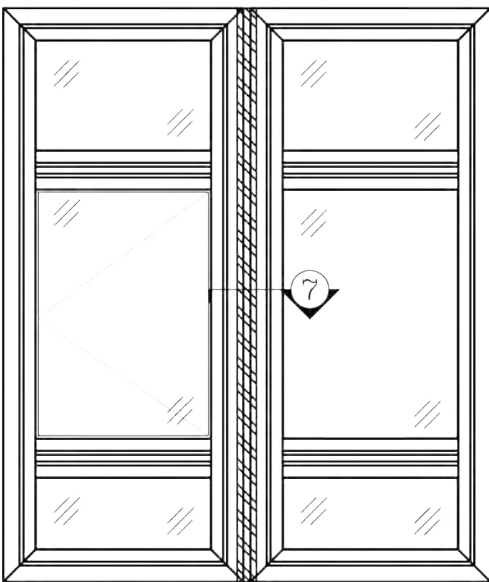
5A H MULLION
 IC8800 OVER PW8810



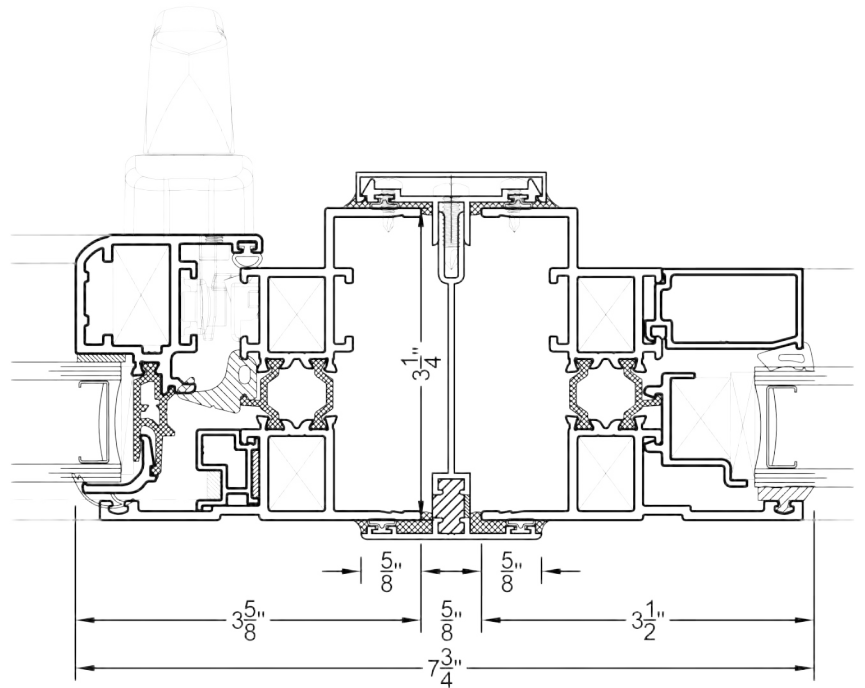
PW8800-2V & PW8800-2V WITH H MULLION



⑥ H MULLION
 IC88100 & IC8800

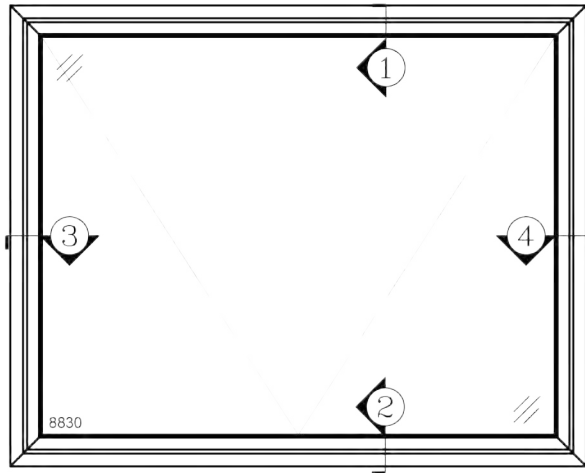


PW8800-3V & PW8810-3V
 WITH 3PC MULLION

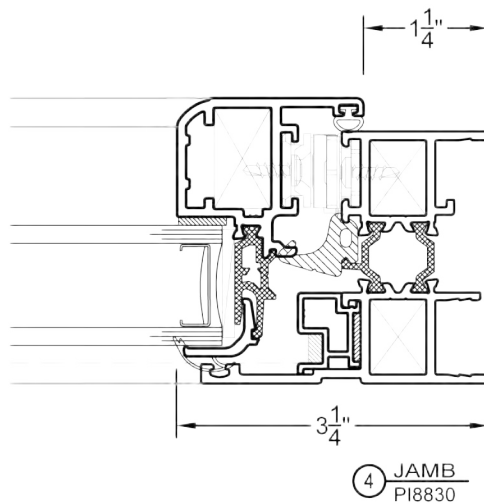
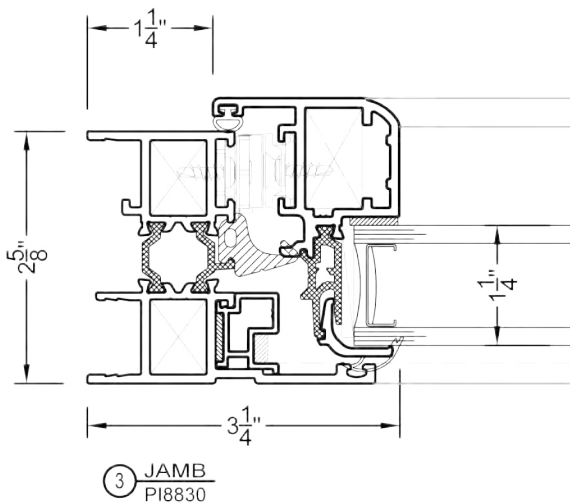
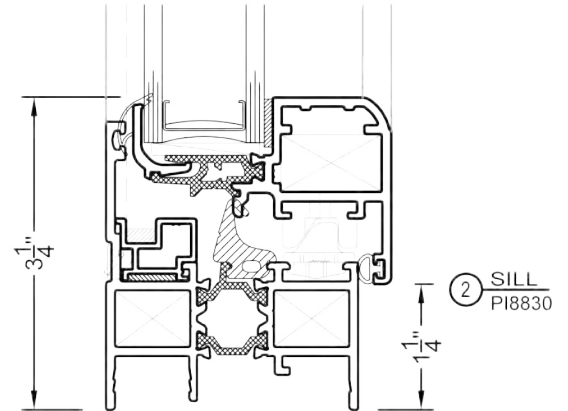
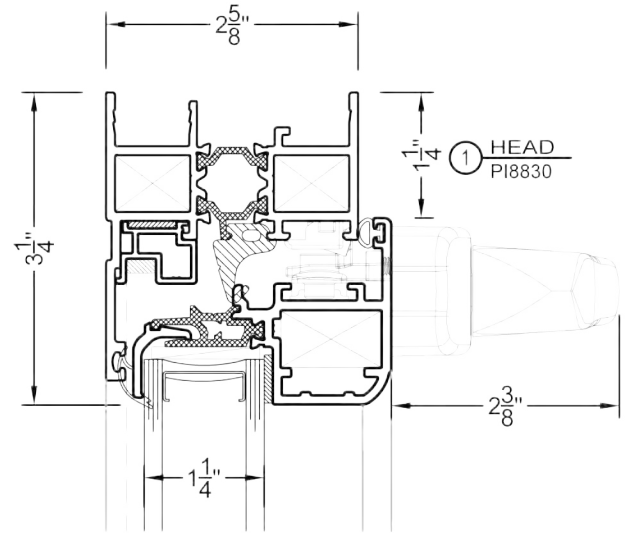


⑦ 3PC MULLION
 IC8800 & PW8810

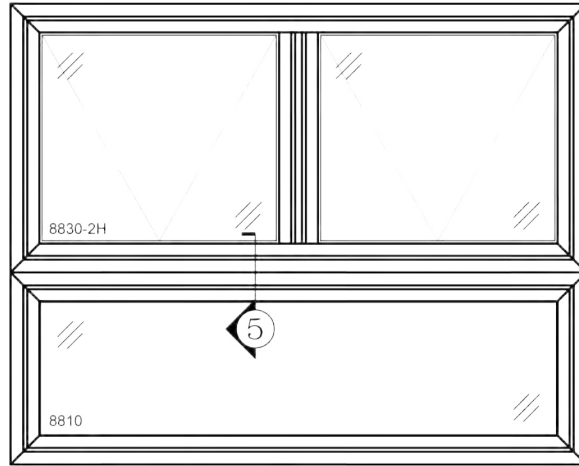
2⁵/₈" FRAME DEPTH



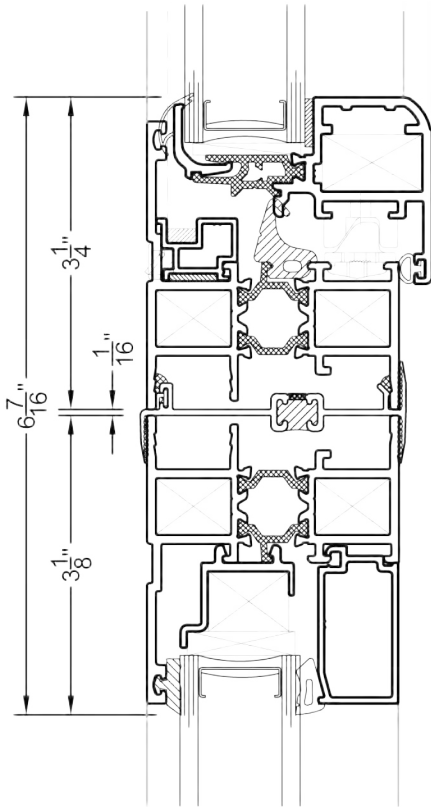
8830 PROJECT IN WINDOW



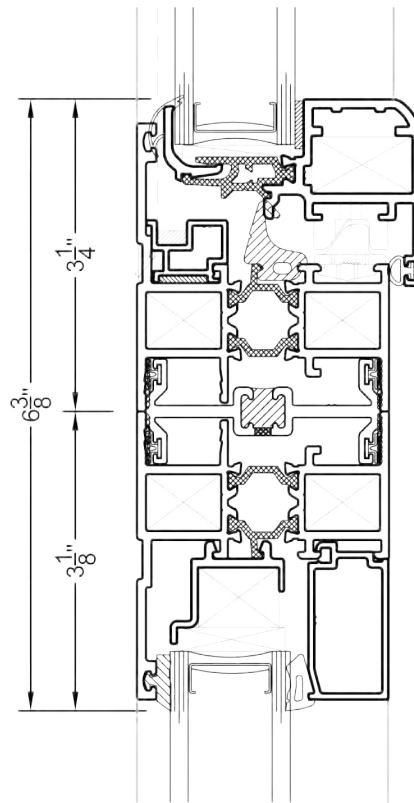
VER. 2020.03



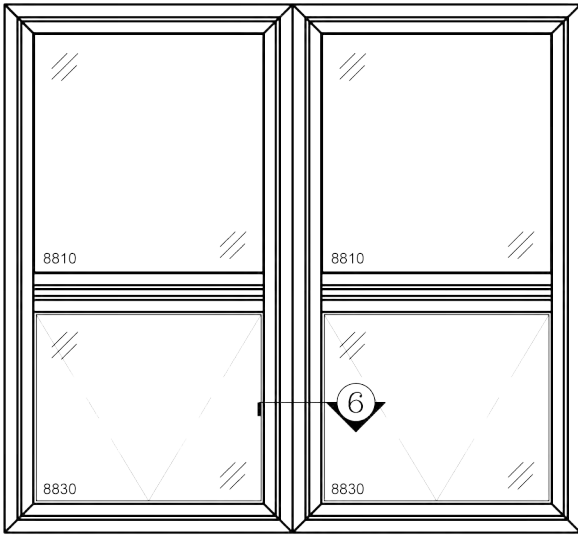
PI8830-2H OVER PW8810



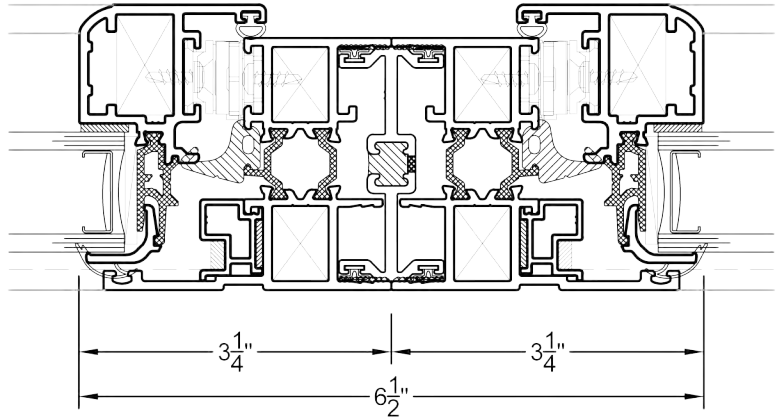
5 STACK MULLION
 PI8830 OVER PW8810



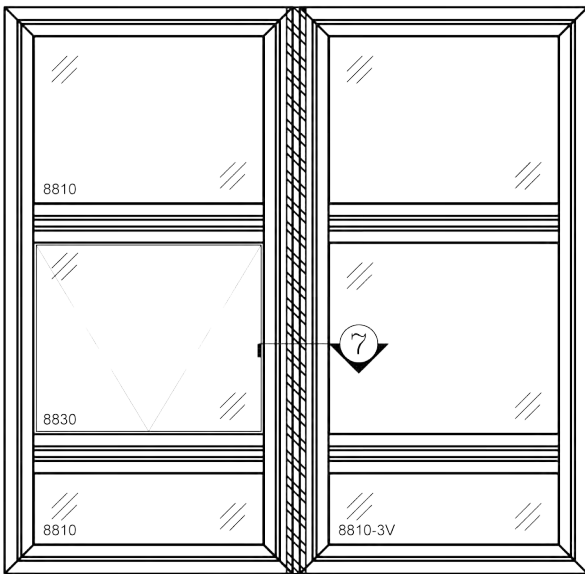
5A H MULLION
 PI8830 OVER PW8810



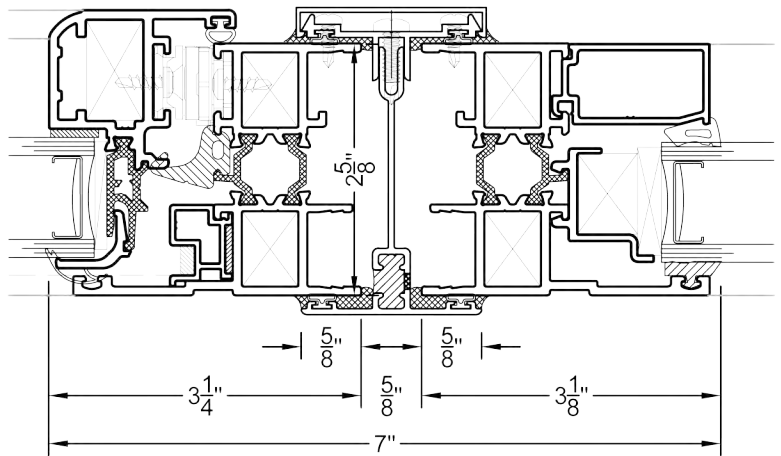
PW8830-2V & PW8830-2V WITH H MULLION



⑥ H MULLION
 PW8830 & PW8830

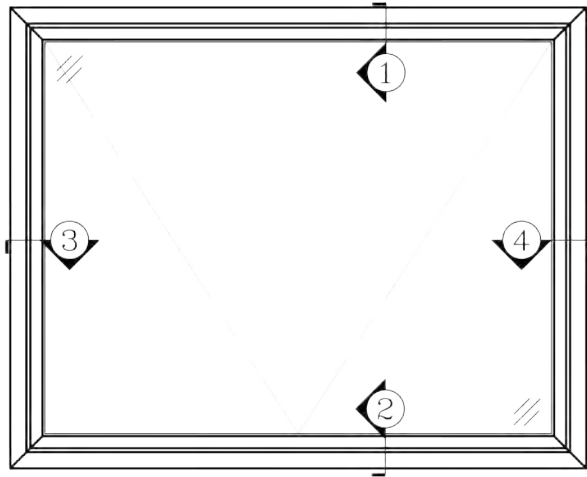


PW8830-3V & PW8810-3V
 WITH 3PC MULLION

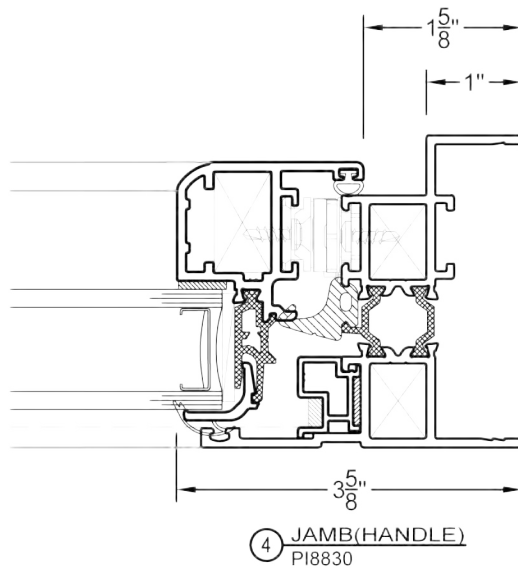
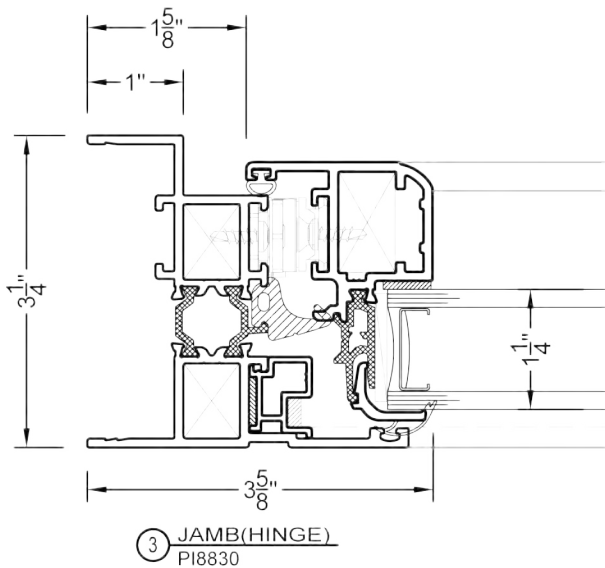
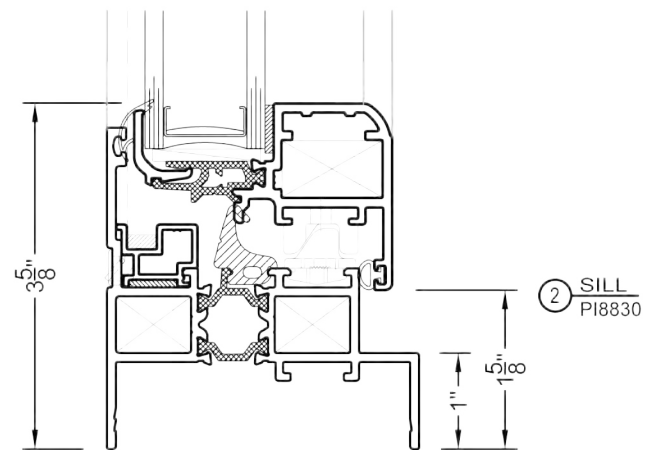
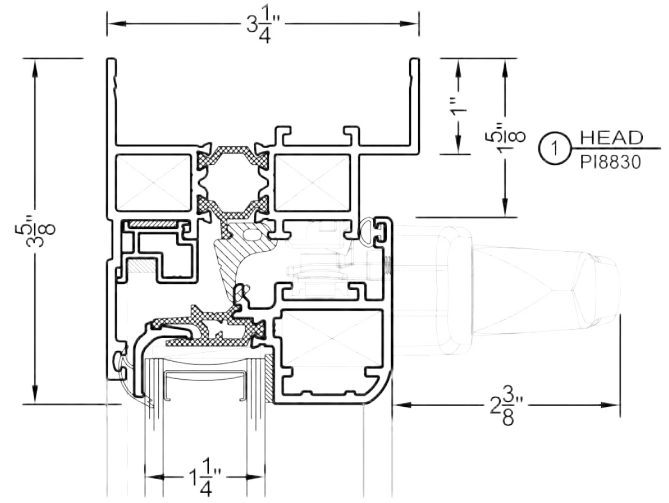


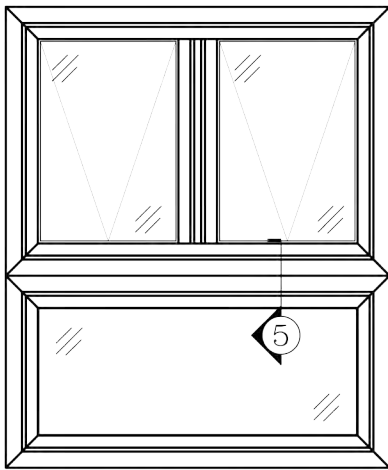
⑦ 3PC MULLION
 P18830 & PW8810

3 1/4" FRAME DEPTH (OPTIONAL)

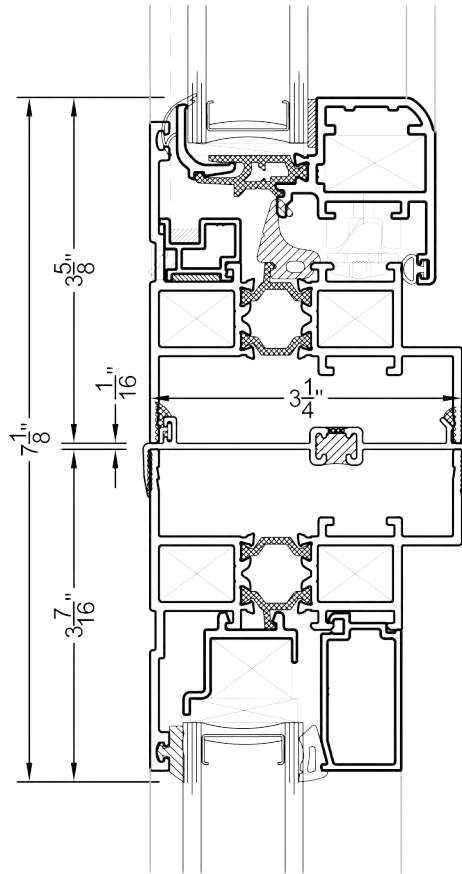


8830 PROJECT IN WINDOW

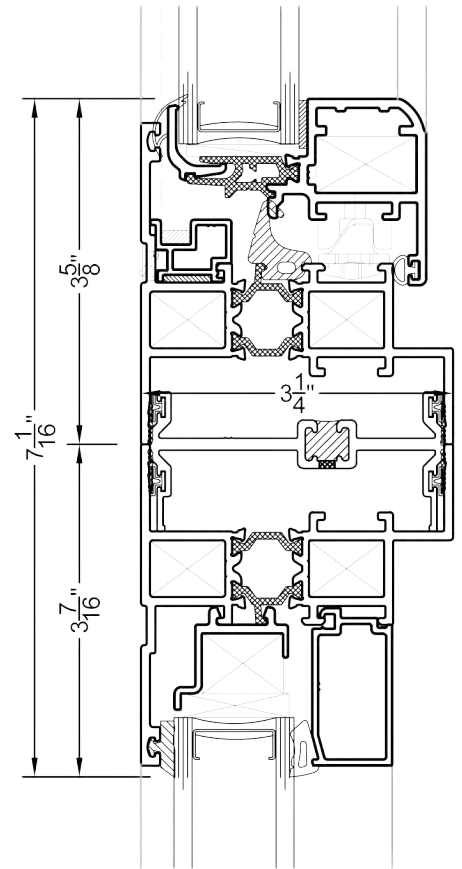




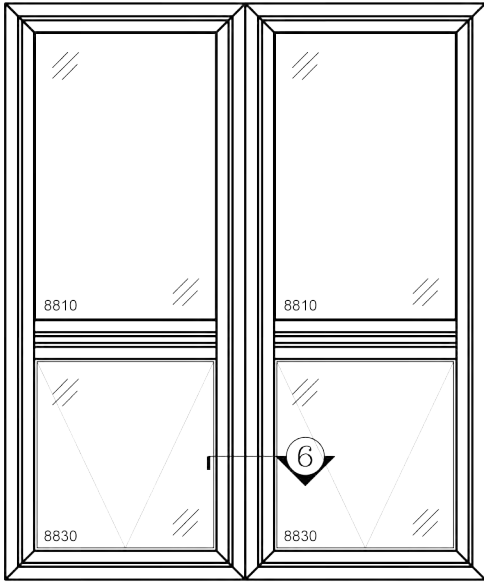
PI8830-2H OVER PW8810



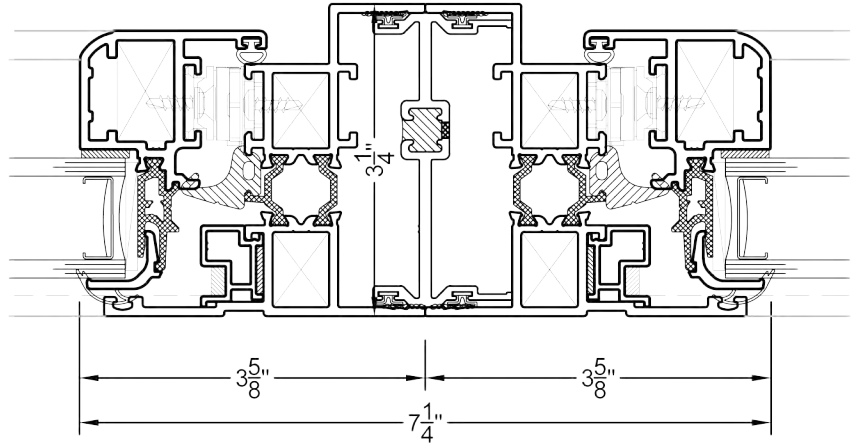
5 STACK MULLION
 PW8810 OVER PW8810



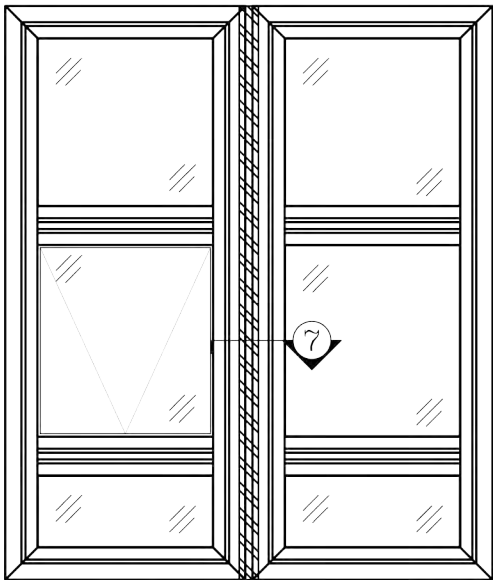
5A H MULLION
 PW8810 OVER PW8810



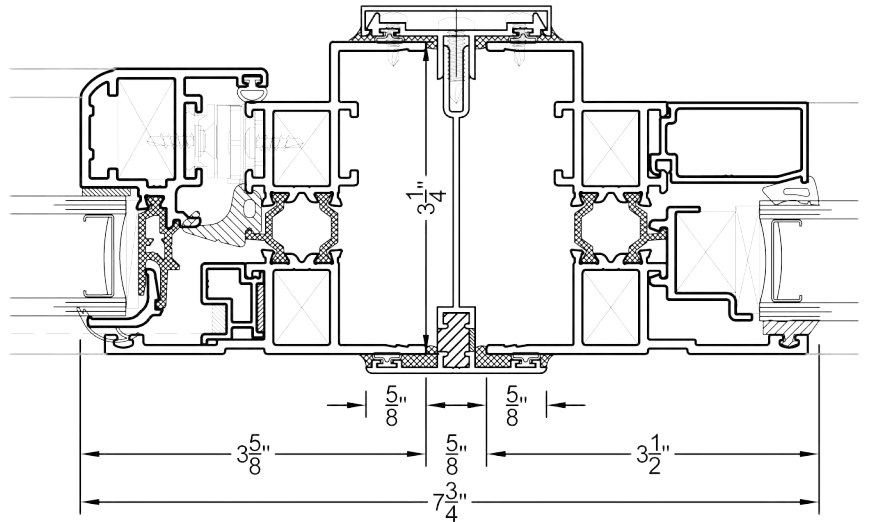
PI8830-2V & PI8830-2V WITH H MULLION



⑥ H MULLION
 PI8830 & PI8830



PI8830-3V & PW8810-3V WITH H MULLION



⑦ 3PC MULLION
 PI8830 & PW8810