

SERIES 9200 TURN & TILT, IN-SWING, FIXED AND PROJECT-IN WINDOW

TYPE	TEST SIZE W X H	AAMA RATING	AIR INFILTRATION	STRUCTURAL LOAD	WATER RESISTANCE	U- FACTOR	SHGC	OITC
IN-SWING	36" x 60"	AW-PG100	≤0.20 cfm/ft ²	100 psf	15 psf	0.23-0.50	0.17-0.58	25-35
IN-SWING	48" x 80"	AW-PG75	≤0.20 cfm/ft ²	75 psf	12 psf			
TURN& TILT	60" x 99"	AW-PG70*	≤0.20 cfm/ft ²	70 psf	12 psf			
FIXED	60" x 99"	AW-PG75	≤0.10 cfm/ft ²	75 psf	12 psf	0.22-0.48	0.17-0.58	25-35
PROJECT-IN	60" x 36"	AW-PG85	≤0.20 cfm/ft ²	85 psf	12 psf	0.23-0.50	0.17-0.58	25-35

TABLE OF CONTENT

- TURN & TILT -P2
- IN-SWING -P3
- FIXED -P4
- PROJECT-IN -P5
- MULLION -P6-P11
- ADDITIONAL FRAMES -P12
- OPTIONAL ANCHOR CLIP -P13
- ADDITIONAL IGU -P14
- HANDLE OPTIONS -P15

FEATURES

- ALUMINUM POLYAMIDE THERMAL BARRIER WINDOW
- 3-1/4" FRAME DEPTH
- 1" DOUBLE PANE INSULATED GLASS
- AAMA 2604 POWDER COAT PAINT
- EUROPEAN-STYLE FRAME & CORNER KEYS
- CONCEALED HEAVY DUTY CHIC HINGES
- TRIPLE EPDM GASKET SEAL
- PRESSURE-EQUALIZED DESIGN
- ZERO-SIGHTLINE SASH
- MINIMALIST HANDLE DESIGN
- MICRO VENTILATION FOR TURN & TILT

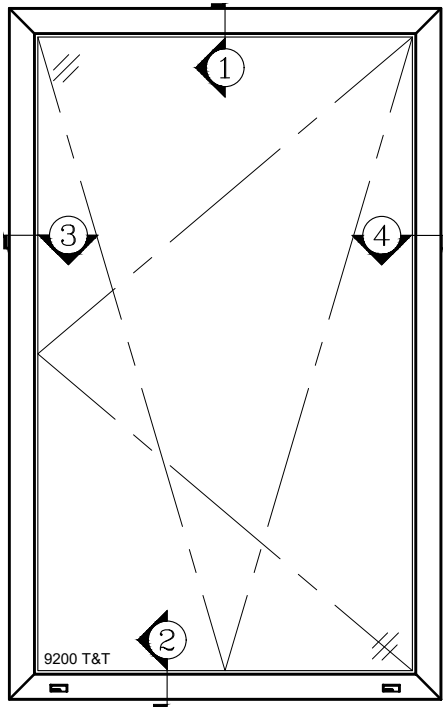
OPTIONAL SELECTIONS

- LOW-E COATING & ARGON FILLED IGU
- CUSTOM FINISH AND CUSTOM COLOR
- 1-1/4" OR 1-1/2" IGU
- GRIDS
- FULL FLEX SCREEN
- LIMIT DEVICES (NYC DOH)
- EXTENDED LEVER HANDLE
- REMOVABLE HANDLE OPTION
- OTHER OPTIONAL ACCESSORIES

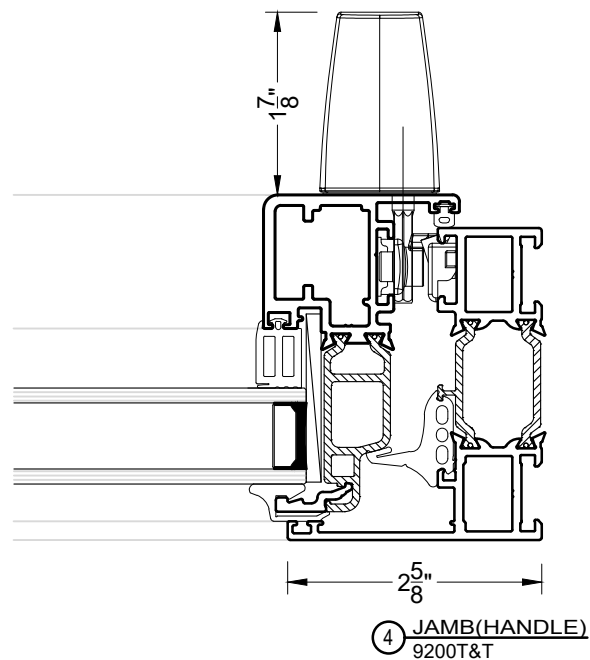
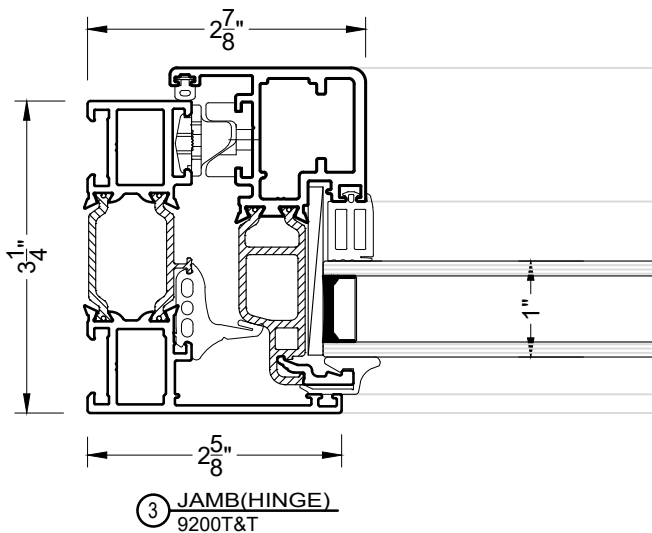
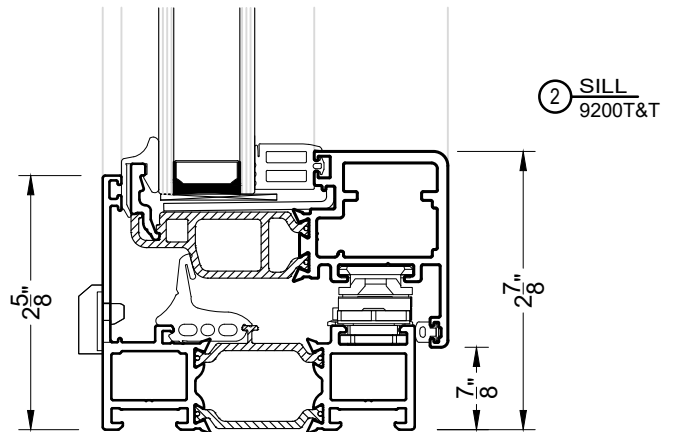
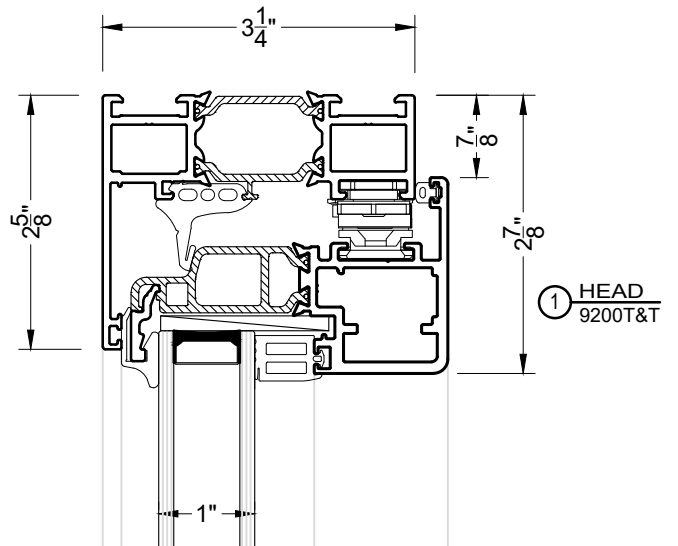
VER: 2023.10

TESTING RESULT IS PENDING .
 PLEASE CONTACT YOUR SALES REP.
 FOR MORE INFORMATION

TILT & TURN

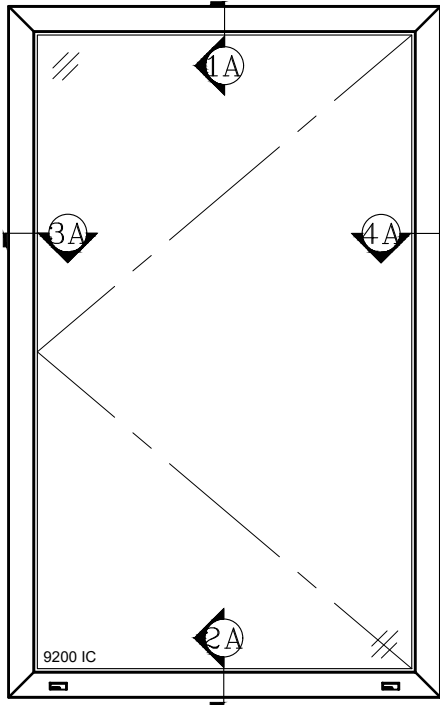


9200 TURN & TILT WINDOW

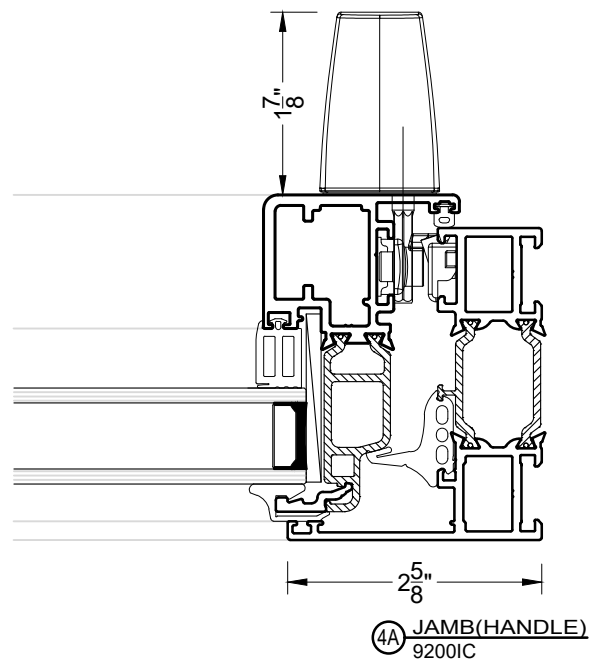
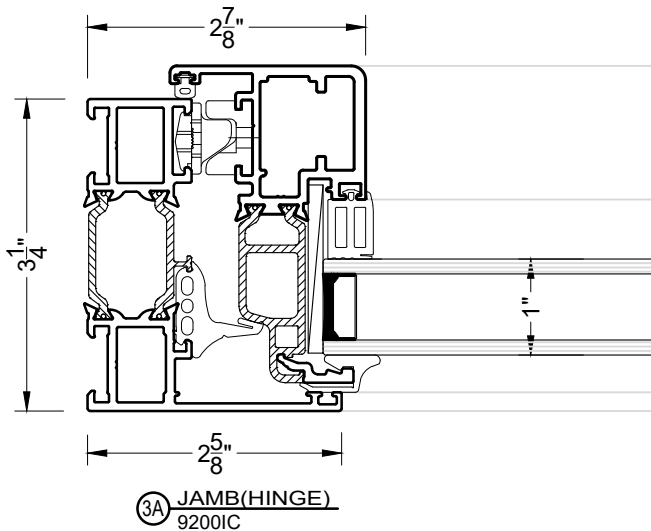
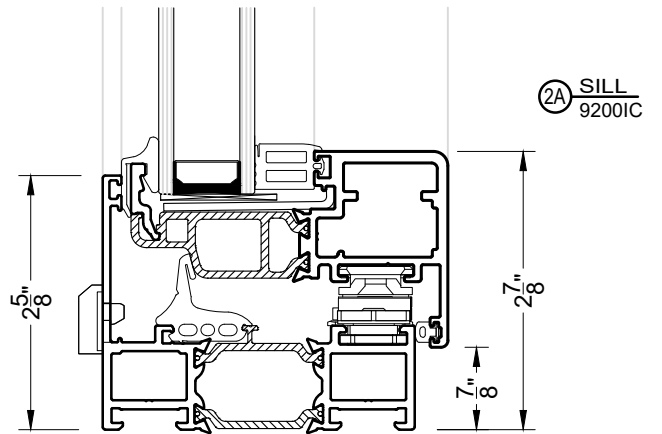
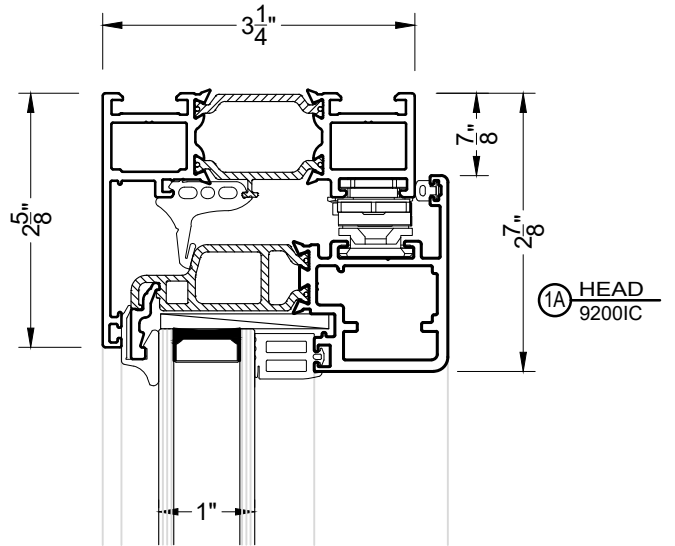


VER: 2023.10

IN-SWING

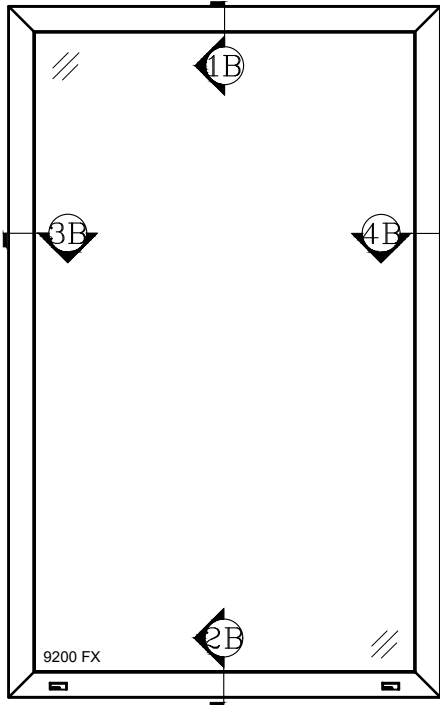


9200 IN-SWING WINDOW

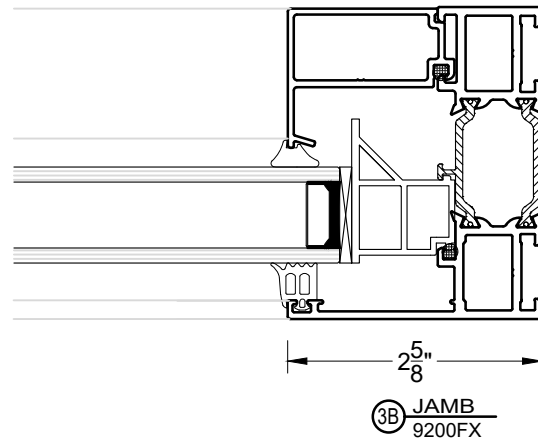
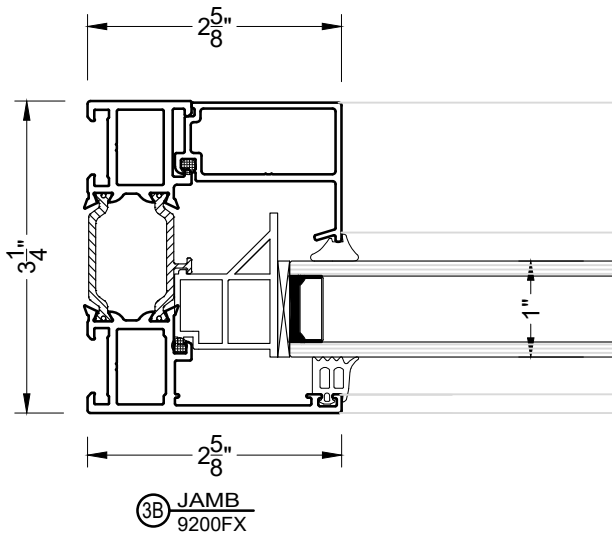
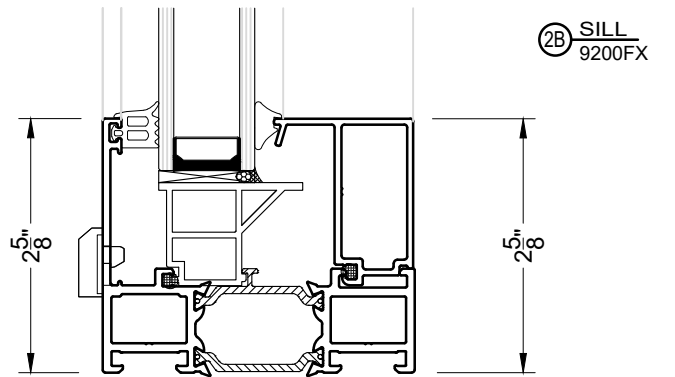
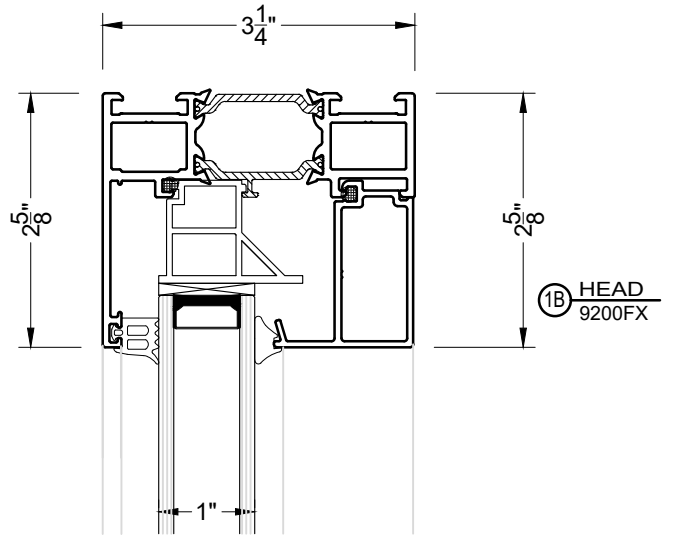


VER: 2023.10

FIXED

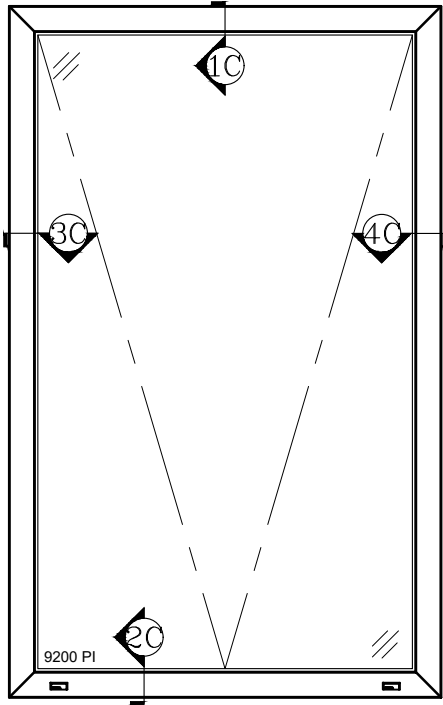


9200 FIXED WINDOW

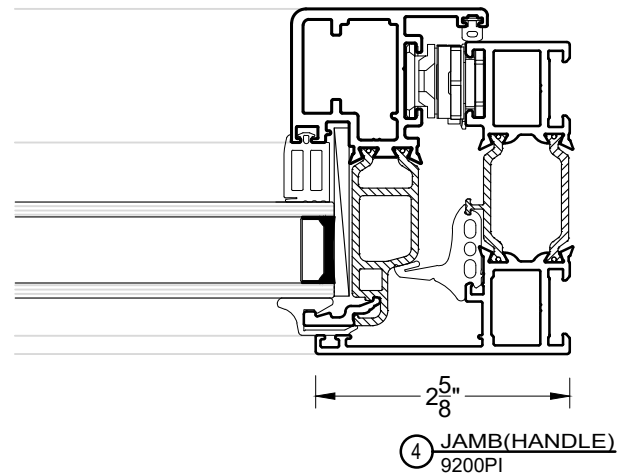
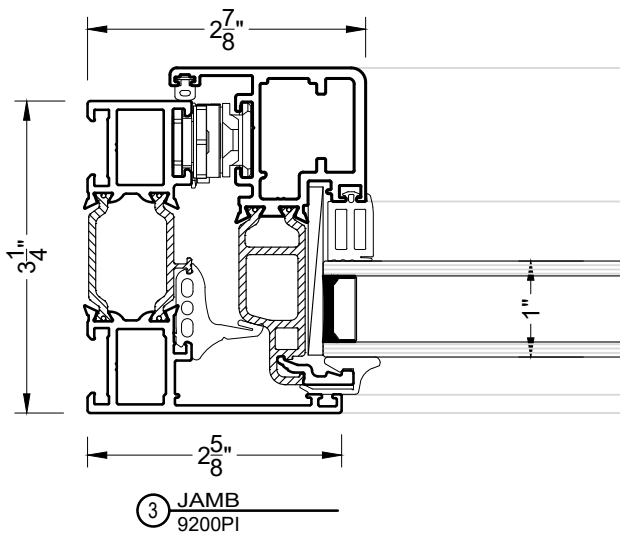
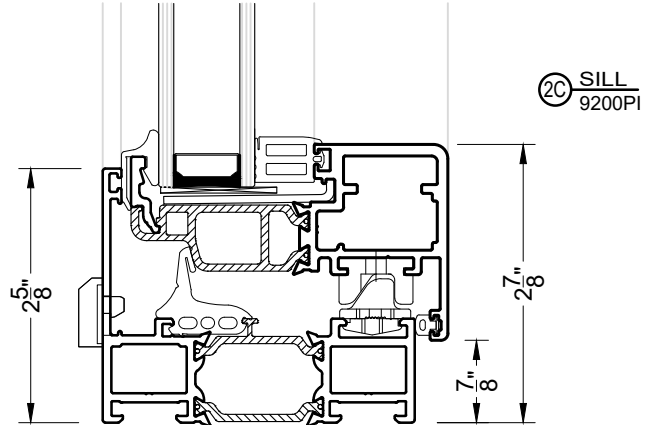
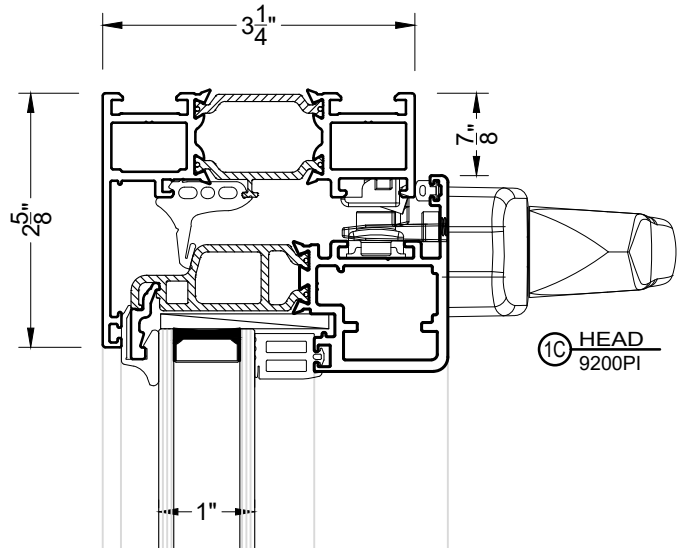


VER: 2023.10

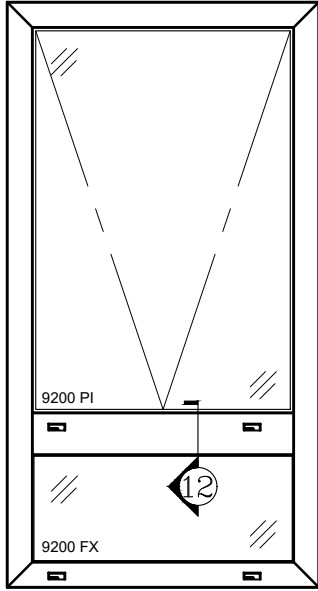
PROJECT-IN



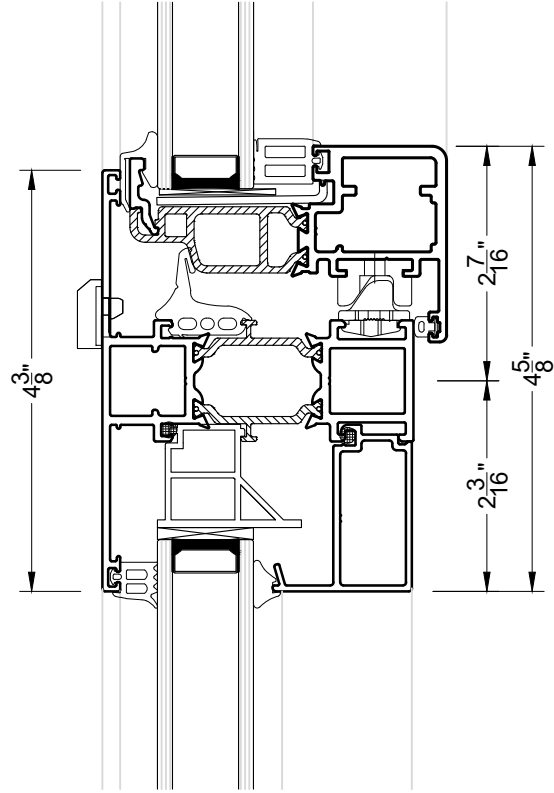
9200 PROJECT-IN WINDOW



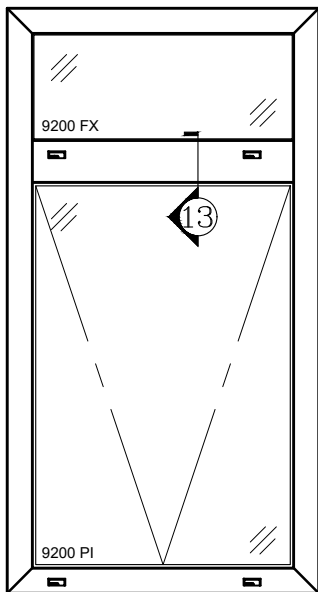
VER: 2023.10



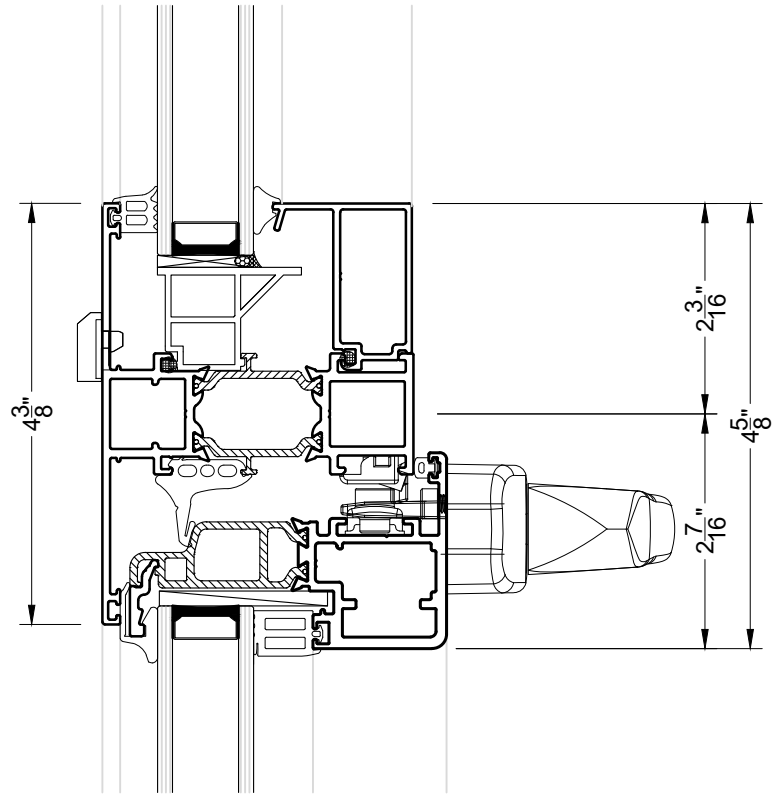
9200 PI OVER IC



12 T IMPOST
 9200 PI OVER FX

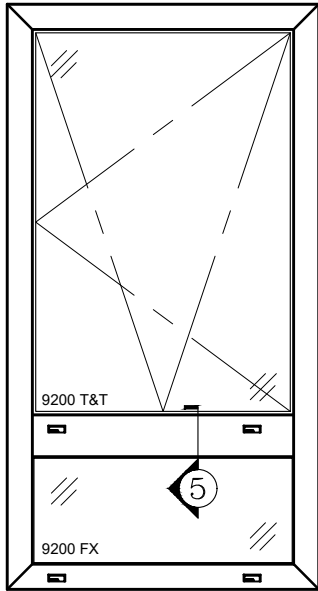


9200 FX OVER PI

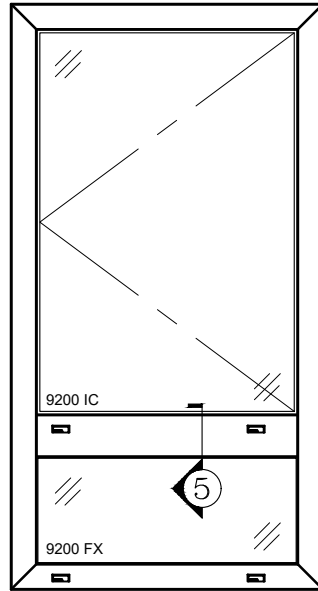


13 T IMPOST
 9200 FX OVER PI

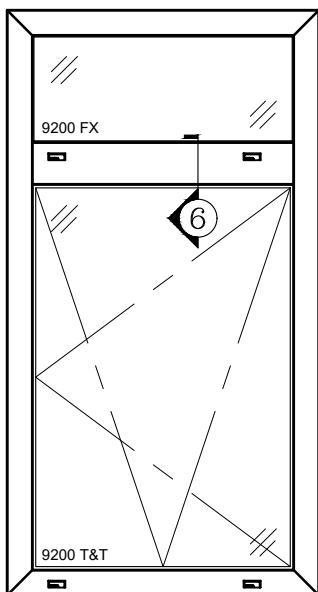
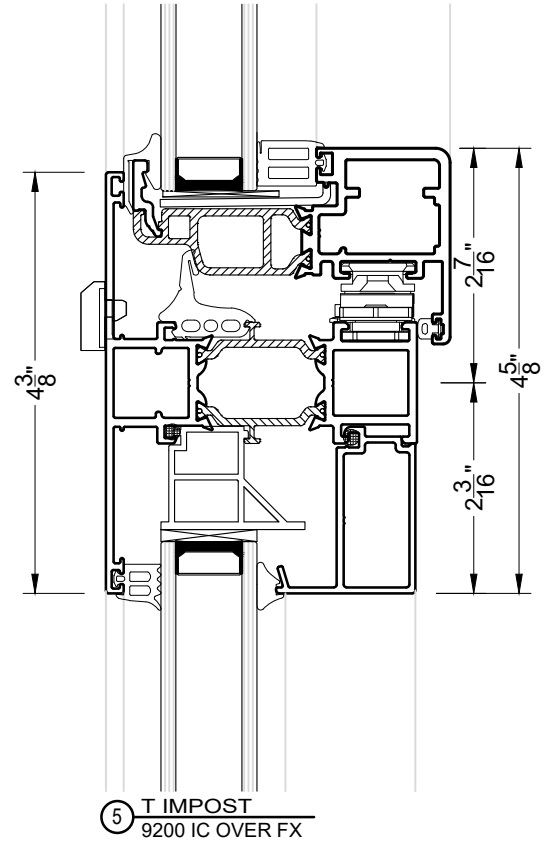
VER: 2023.10



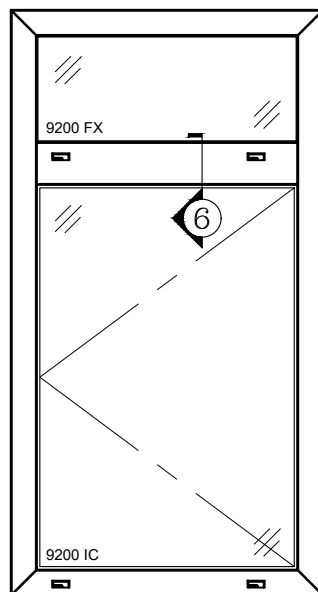
9200 T&T OVER IC



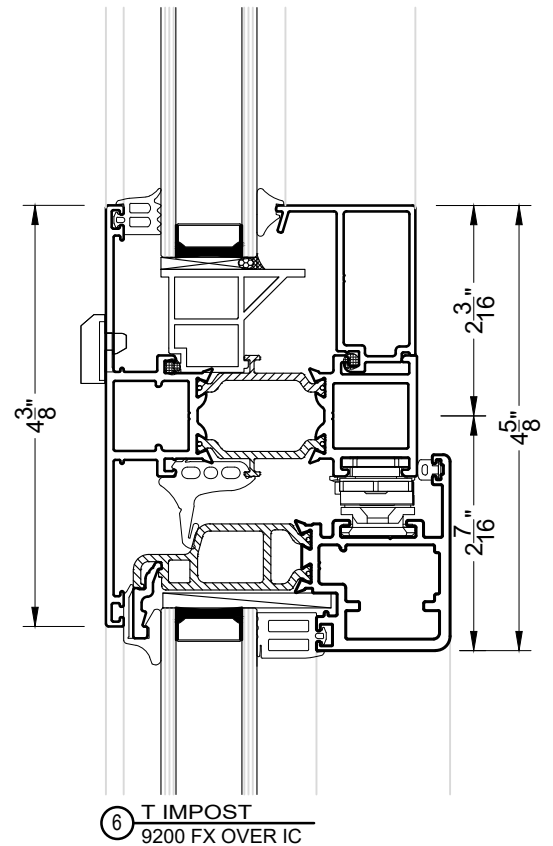
9200 IC OVER FX



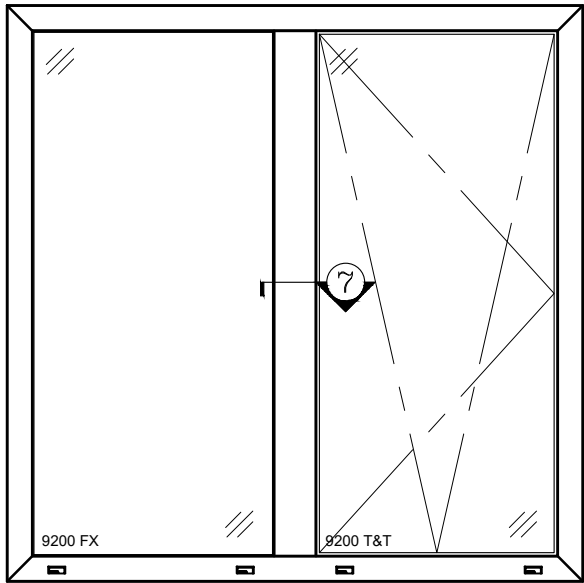
9200 FX OVER T&T



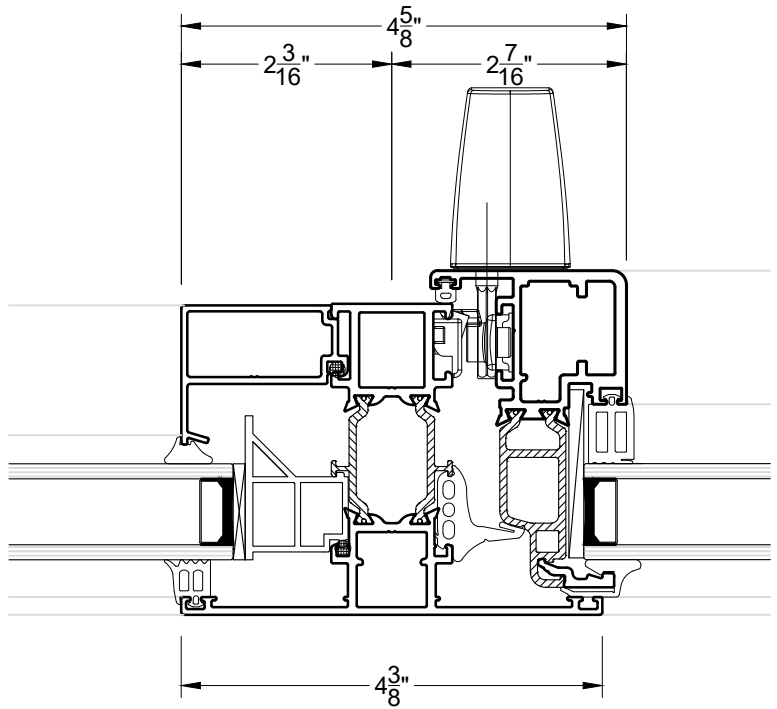
9200 FX OVER IC



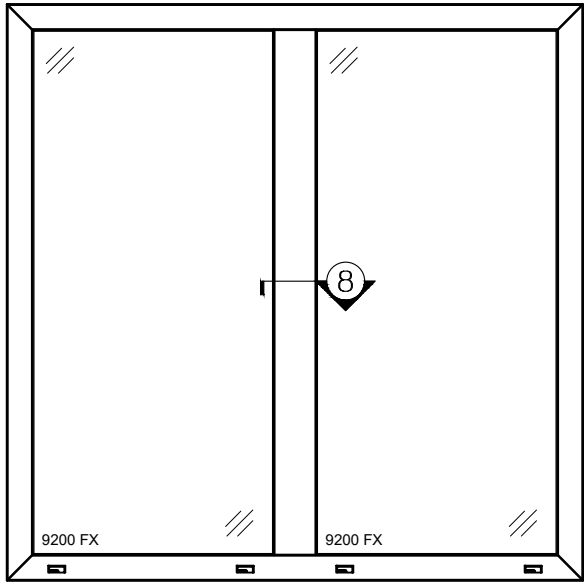
VER: 2023.10



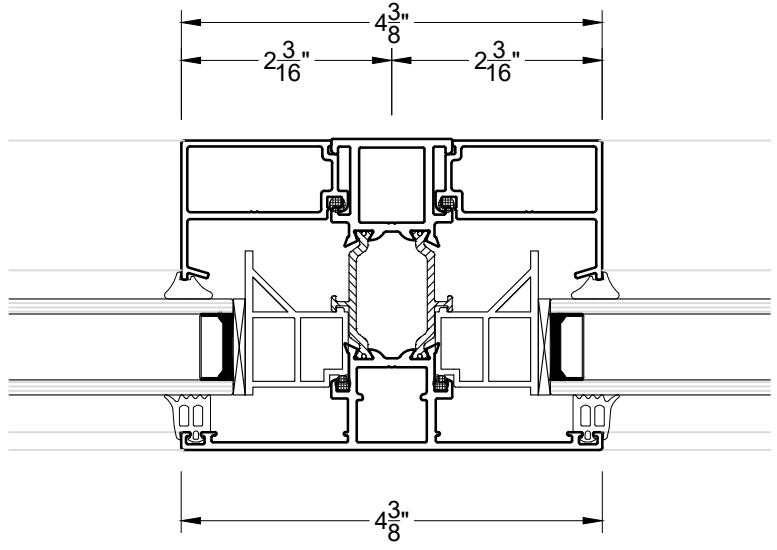
9200 T&T & FX



7 T IMPOST
 9200 TT & FX

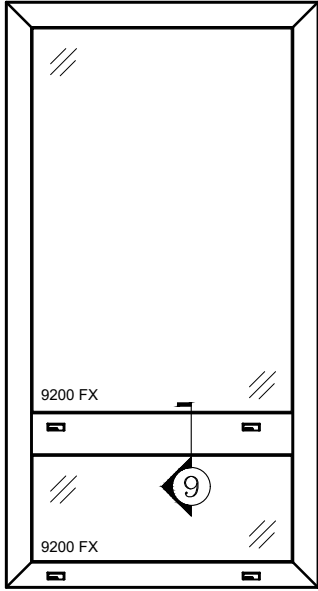


9200 FX & FX

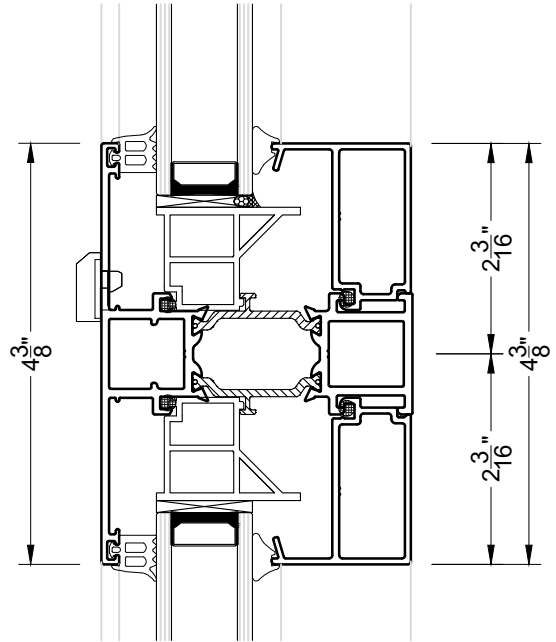


8 T IMPOST
 9200 FX & FX

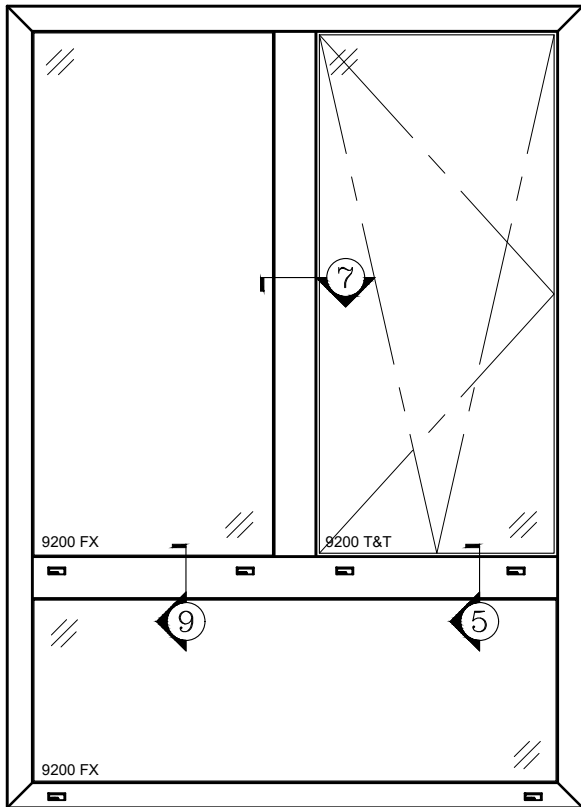
VER: 2023.10



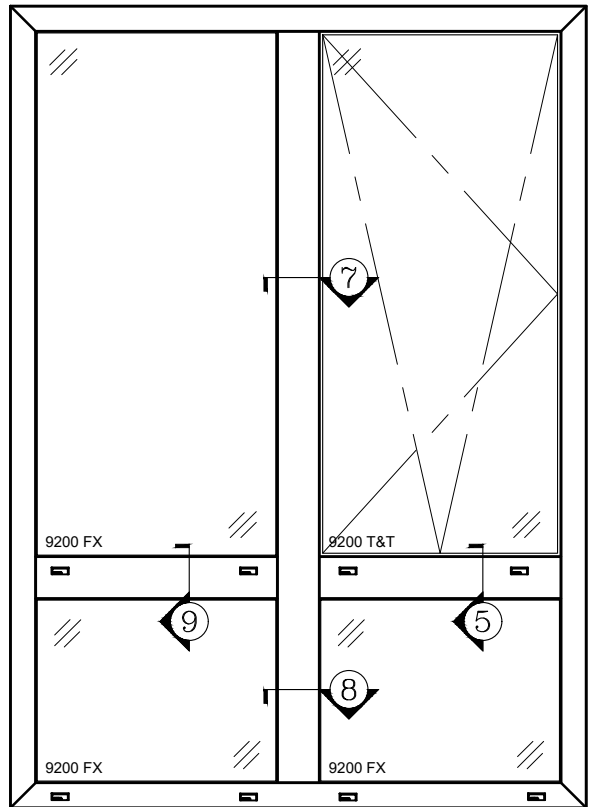
9200 FX OVER FX



9 T IMPOST
 9200 FX OVER FX

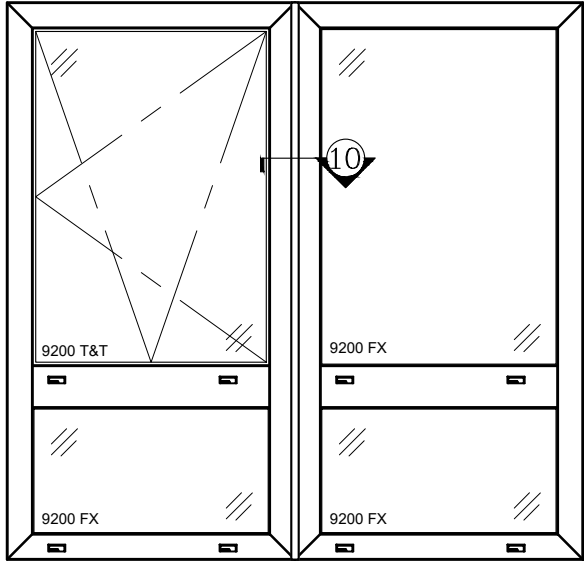


9200 T&T & FX OVER FX

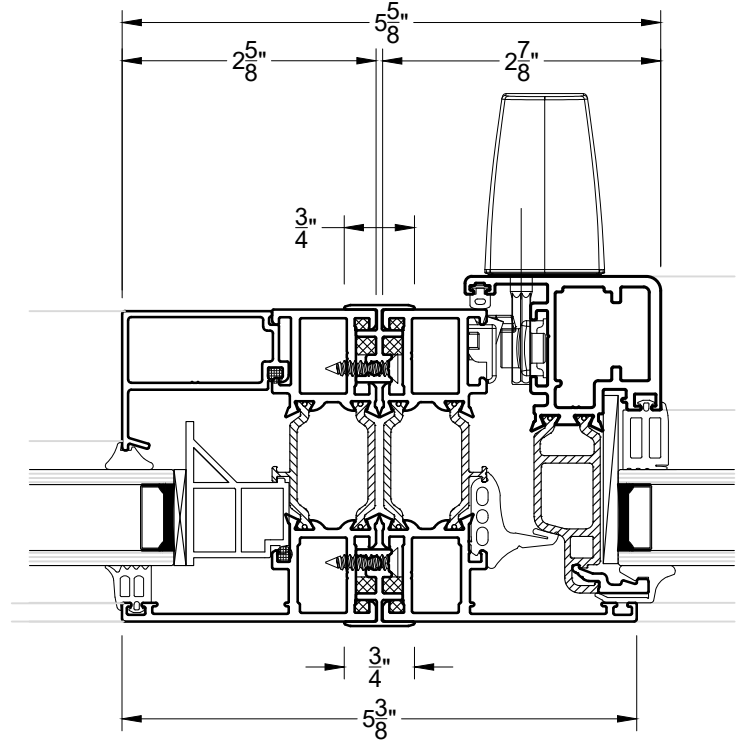


9200 T&T & FX OVER FX & FX

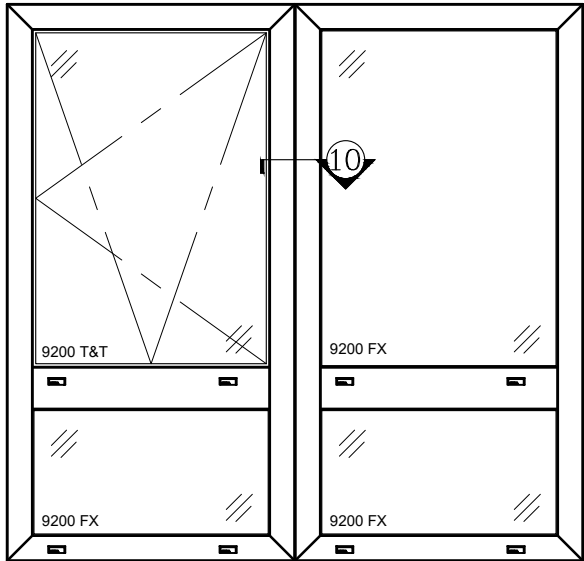
VER: 2023.10



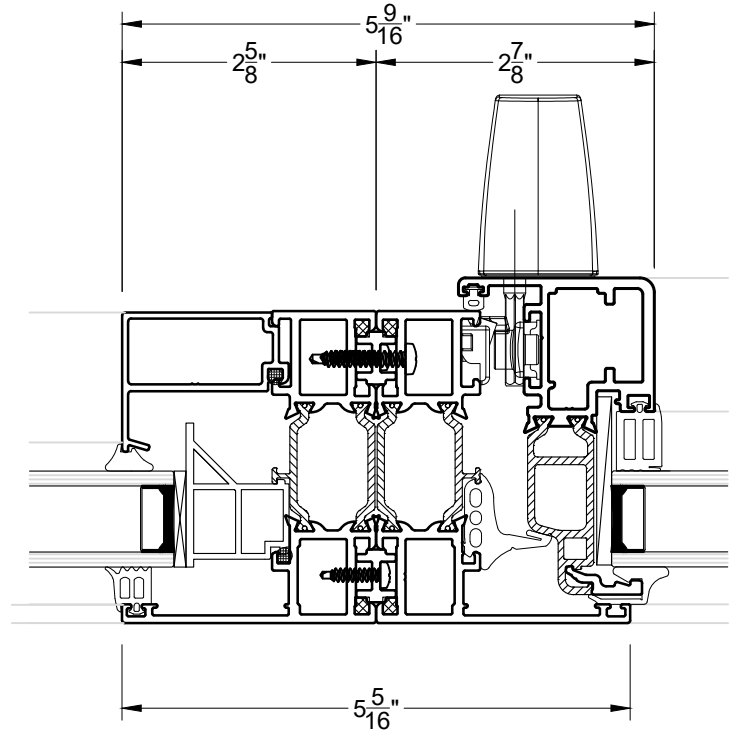
9200 T&T OVER FX & FX OVER WITH H MULLION



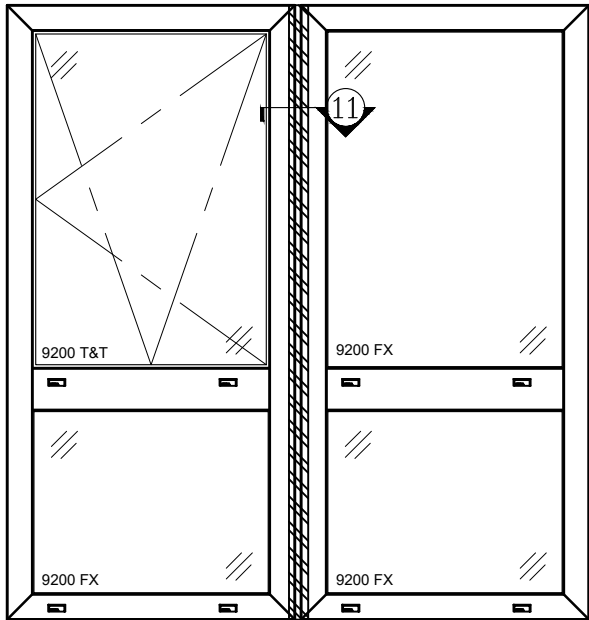
⑩ EXTERIOR MULLION
 9200 TT & FX



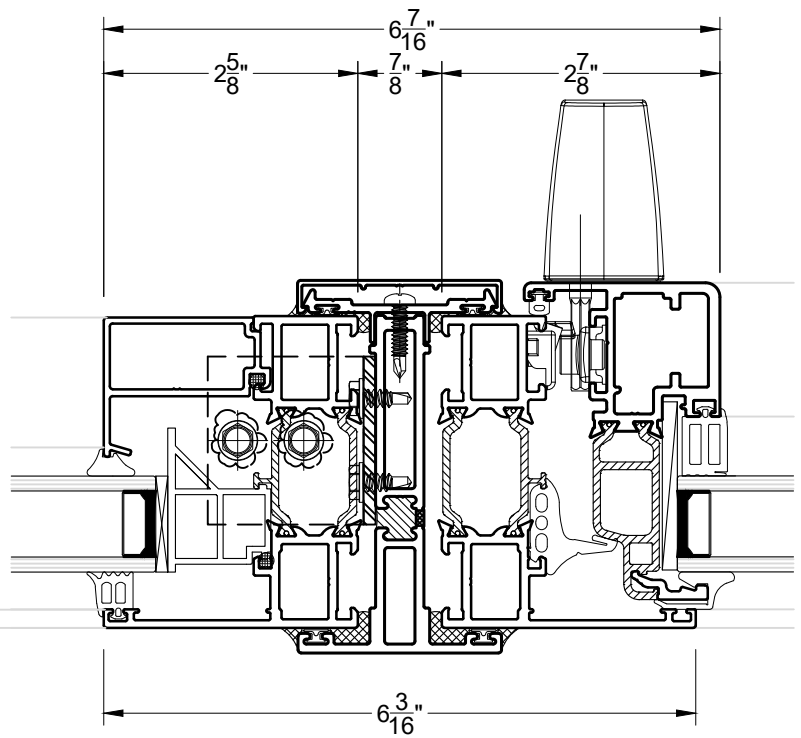
9200 T&T OVER FX & FX OVER WITH H MULLION



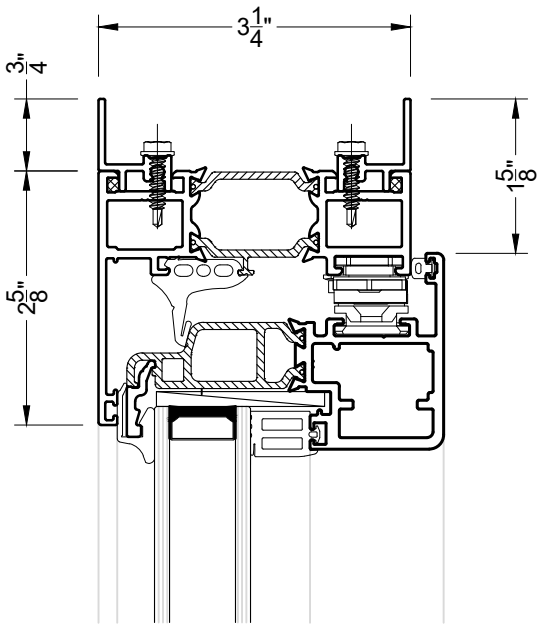
⑪ INTERIOR MULLION
 9200 TT & FX



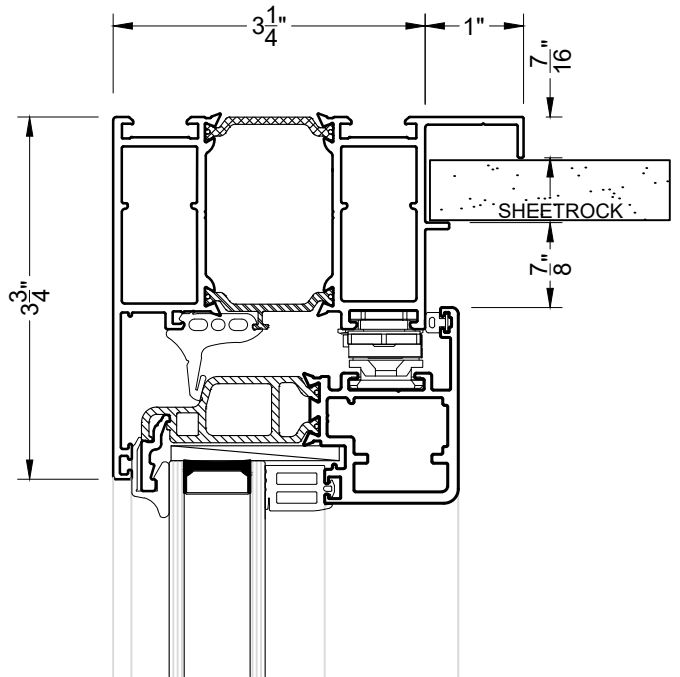
9200 T&T OVER FX & FX OVER WITH 3PC MULLION



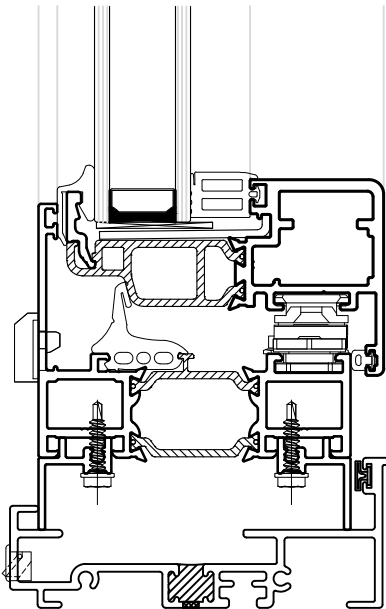
12 3PC MULLION
 9200 TT & FX



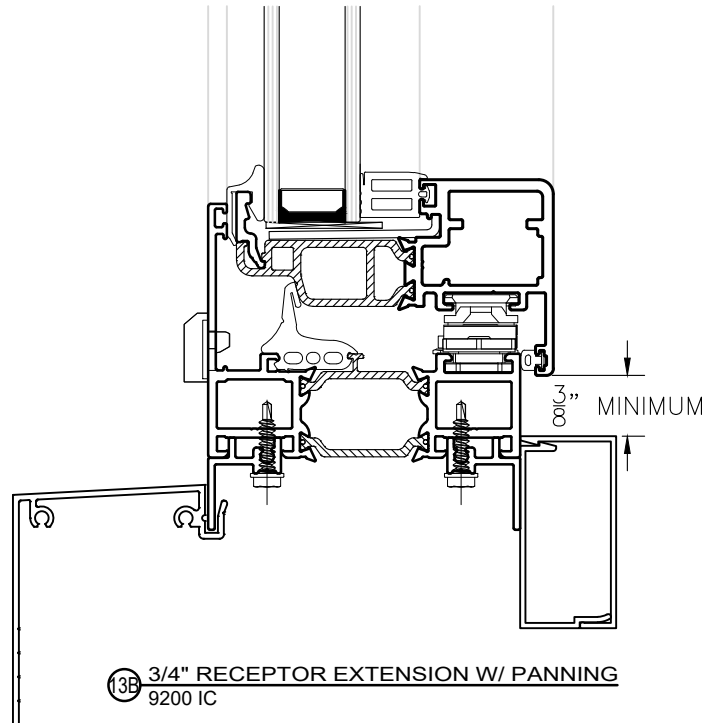
13 3/4" RECEPTOR EXTENSION
9200 IC



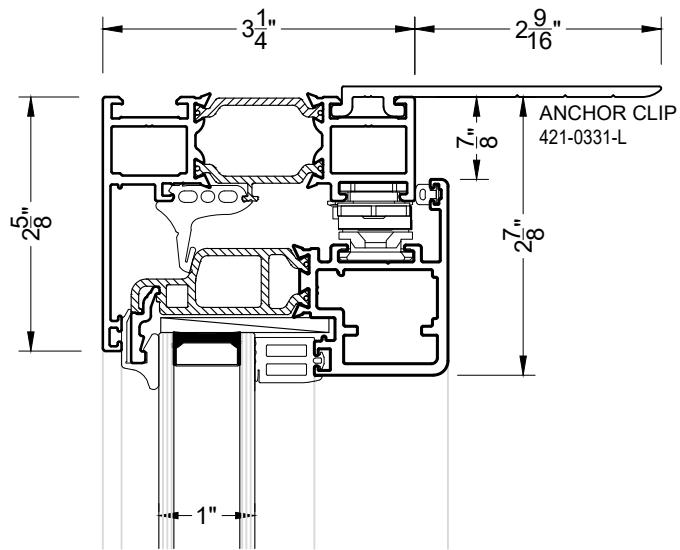
14 RETAINER FRAME
9200 IC

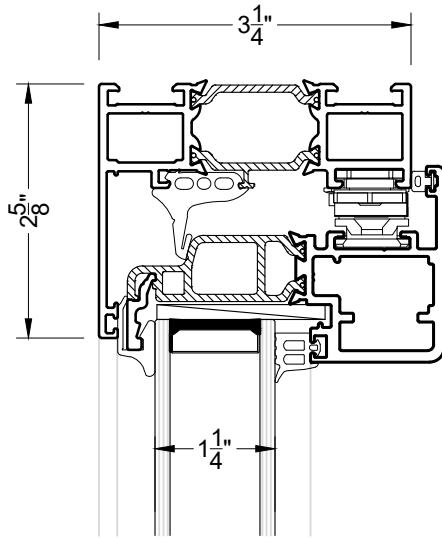


13C 3/4" RECEPTOR EXTENSION W/ SUBSILL
9200 IC

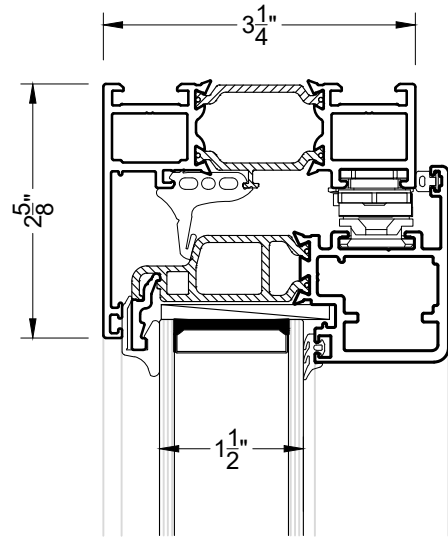


13B 3/4" RECEPTOR EXTENSION W/ PANNING
9200 IC

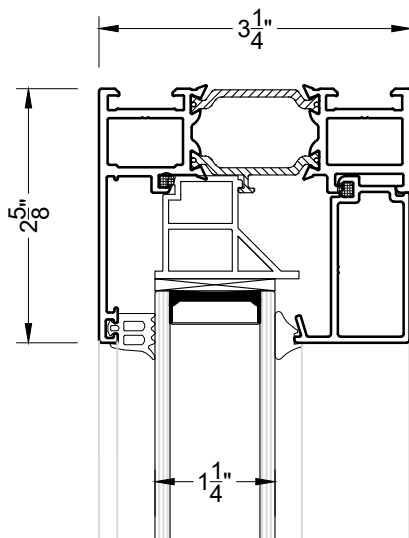




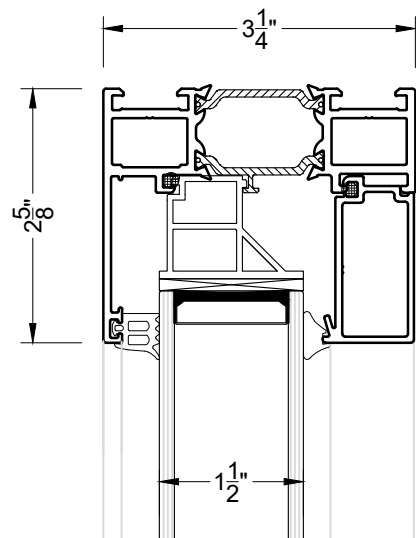
① HEAD W/ 1.25" IGU
 9200 IC



① HEAD W/ 1.5" IGU
 9200 IC

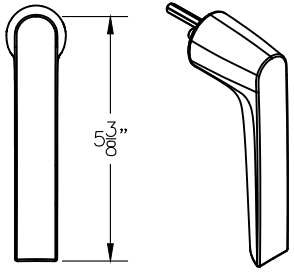


① HEAD W/ 1.25" IGU
 9200 IC

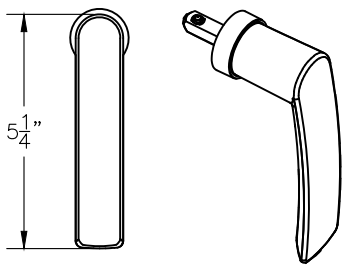


① HEAD W/ 1.5" IGU
 9200 IC

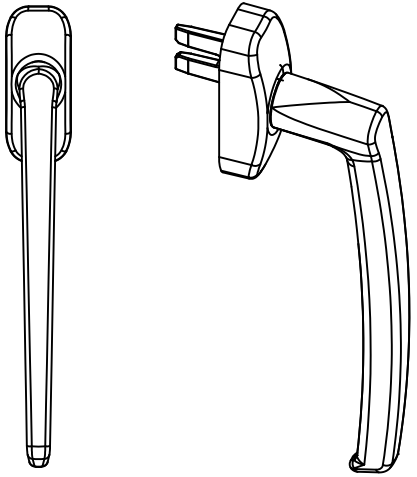
NP HANDLE



REMOVABLE HANDLE



EXTENDED EURO HANDLE



*KEYED HANDLE OPTIONS AVAILABLE FOR NP & REMOVABLE STYLE HANDLE

HANDLE POSITIONS AND OPERATION

