

8800 Evolution Series

Experience excellence with Crystal's Evolution product line, certified with the esteemed AAMA AW-Class Structural Rating—the pinnacle recognition from the AAMA for window products. This line epitomizes the fusion of performance and elegance, delivering an array of advantages:

- Effortless cleaning and ventilation
- Unrivaled structural integrity
- Enhanced thermal efficiency through an innovative thermal barrier



With its distinctive exterior profile, complemented by European-style hardware, and the unparalleled versatility of two-tone custom color options, **Evolution** product line elevates the most refined and innovative architectural designs.

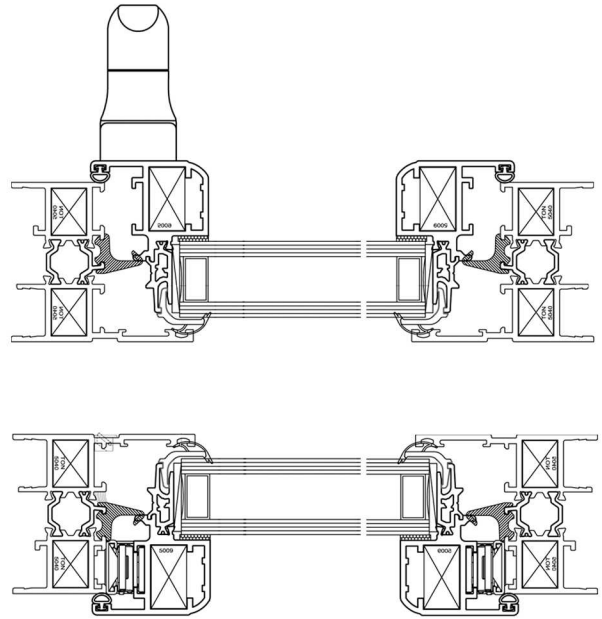
Crystal[®]
WINDOW & DOOR

Crafted with Passion, Built to Perform™

8800 Evolution Series

Product Features

- . 2⁵/₈" Frame Depth
(Upgraded Option of 8900 with 3¹/₄" Frame Depth)
- . AAMA Rating: AW-PG100
- . 1¹/₄" Overall IGU
- . **Energy Struct+Glazing**
- . Structurally Glazed Sash
- . European-Style Frame and Sash
- . Concealed 4-Bar Hinges
- . Triple Gasket Seal
- . Pressure Equalized Design
- . Zero Sightline Sash
- . European-Style Corner Keys



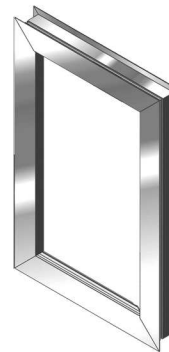
Speak to your Crystal representative regarding the wide array of accessories for anchorage, esthetics, and enhanced performances

Product Performance

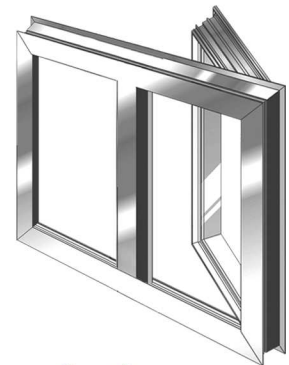
Product	8800
Style	In-Swing Casement
Frame Depth	2+5/8"
Overall IGU Depth	1+1/4"
AAMA Rating	AW-PG100
Whole Window U-Value*	0.37
Water (psf)	15
Uniform Load (psf)	127.5
Wall Thickness	0.093"

* with ESG package

Evolution Product Family



8810f
Fixed



**Continuous
Master Frame
Combo Units**

Crystal Window & Door Systems, Ltd.

NYC, NY (HQ) 31-10 Whitestone Expressway, Flushing, NY 11354 | Tel: 800.472.9988/718.961.7300 | Fax: 718.460.4594
SCRANTON, PA 204 Franklin Valley Rd., Dalton, PA 18414 | Tel: 570.276.8000 | Fax: 570.563.5313
CLEVELAND, OH 29299 Clemens Rd. 1-B, Westlake, OH 44145 | Tel: 440.871.8694 | Fax: 440.871.8690
ST. LOUIS, MO 300 Axminister Dr., Fenton, MO 63026 | Tel: 636.305.7880 | Fax: 636.305.7881
CHICAGO, IL 1300 W. 35th st. Chicago, IL 60609 | Tel: 773.376.6688/888.280.3288 | Fax: 773.376.6868
RIVERSIDE, CA 1850 Atlanta Ave., Riverside, CA 92507 | Tel: 951.779.9300 | Fax: 951.779.6300
DALLAS, TX 454 W. Mockingbird Ln, Dallas, TX | Tel: 469.248.3012 | Fax: 469.248.2978
TORONTO, ON 30 West Pearce Street, Richmond Hill, ON, L4B 1E3 | Tel: 905.889.9883 | Fax: 905.889.5891

SCAN ME



Crystal
WINDOW & DOOR



Follow us on:

MANUFACTURER RESERVES THE RIGHT TO CHANGE PRODUCT DESIGNS, SPECIFICATIONS, DETAILS AND PRICING AT ANY TIME WITHOUT PRIOR NOTIFICATION.
© 2024-2025 Crystal Window & Door Systems, Ltd. All Rights Reserved. Printed in USA.
REF V8800 0822