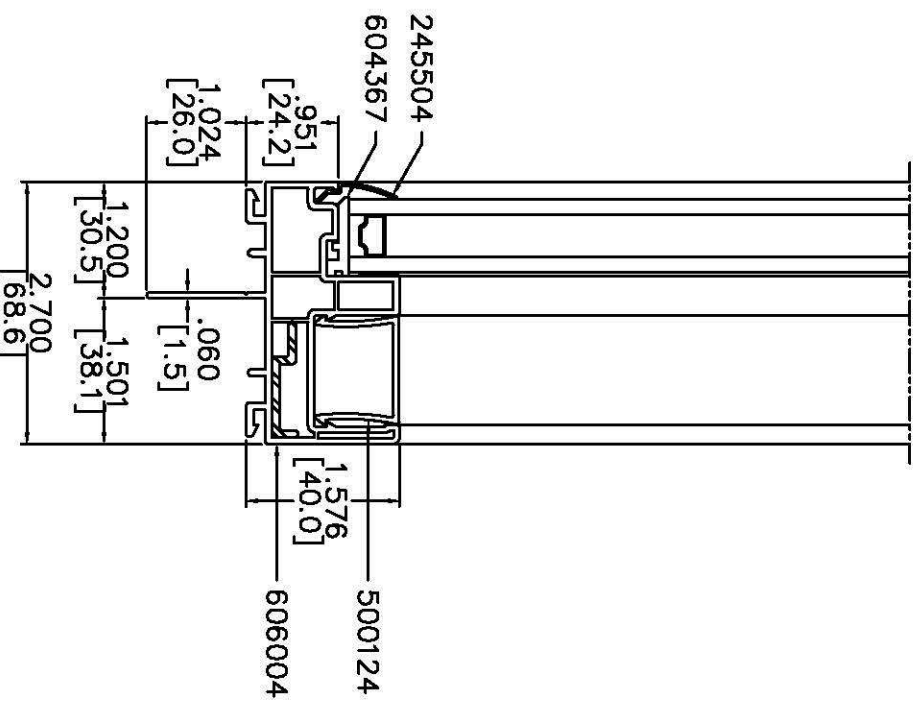


Section:
B-B

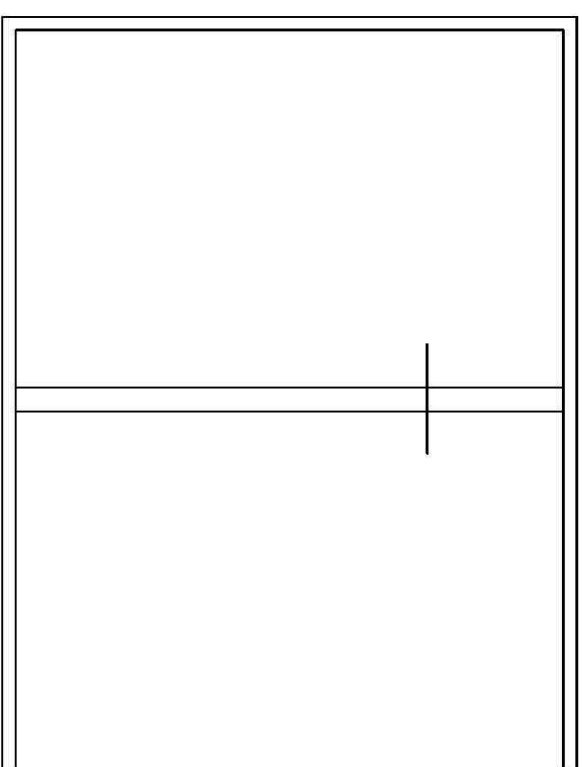


B

A

A

B



A

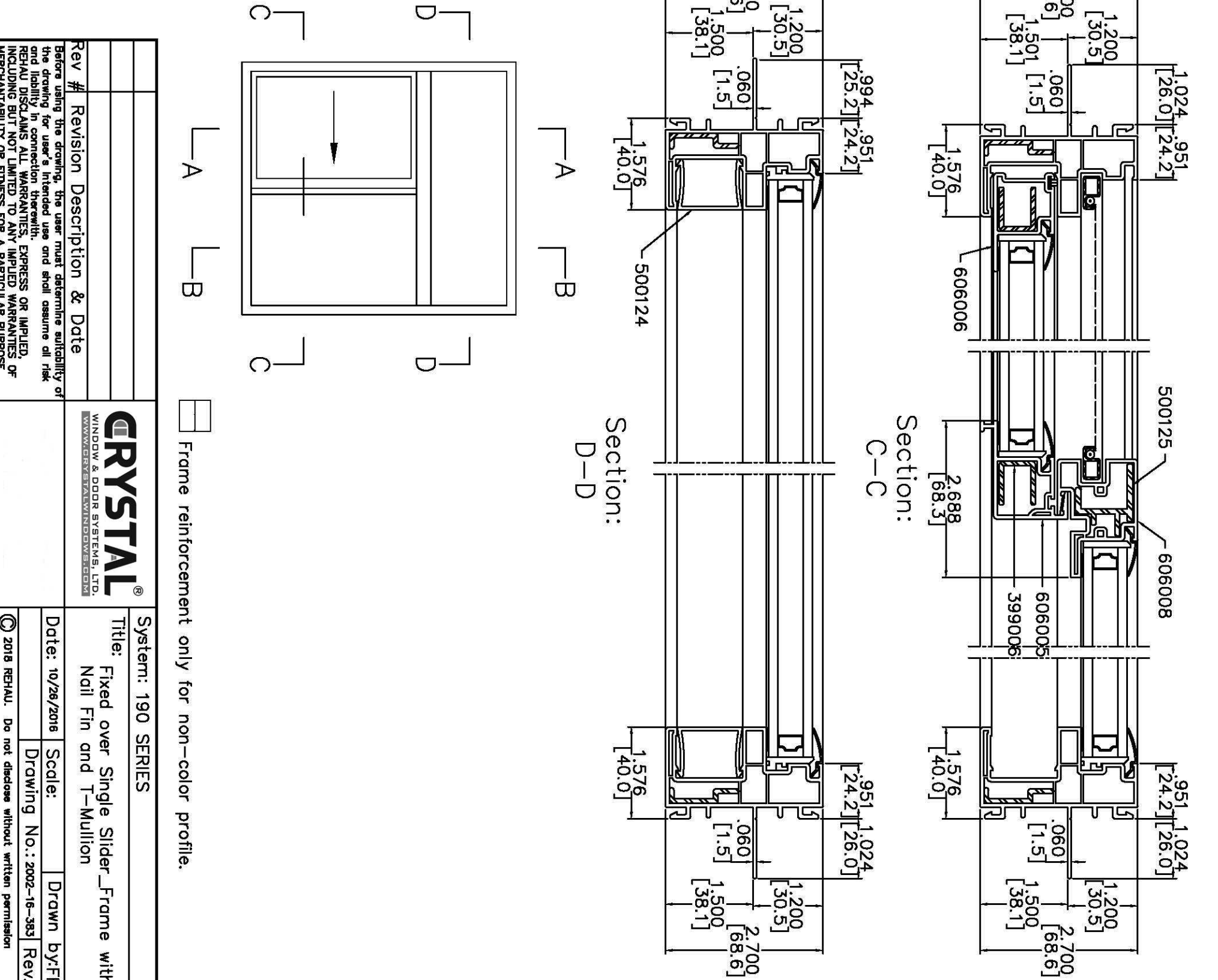
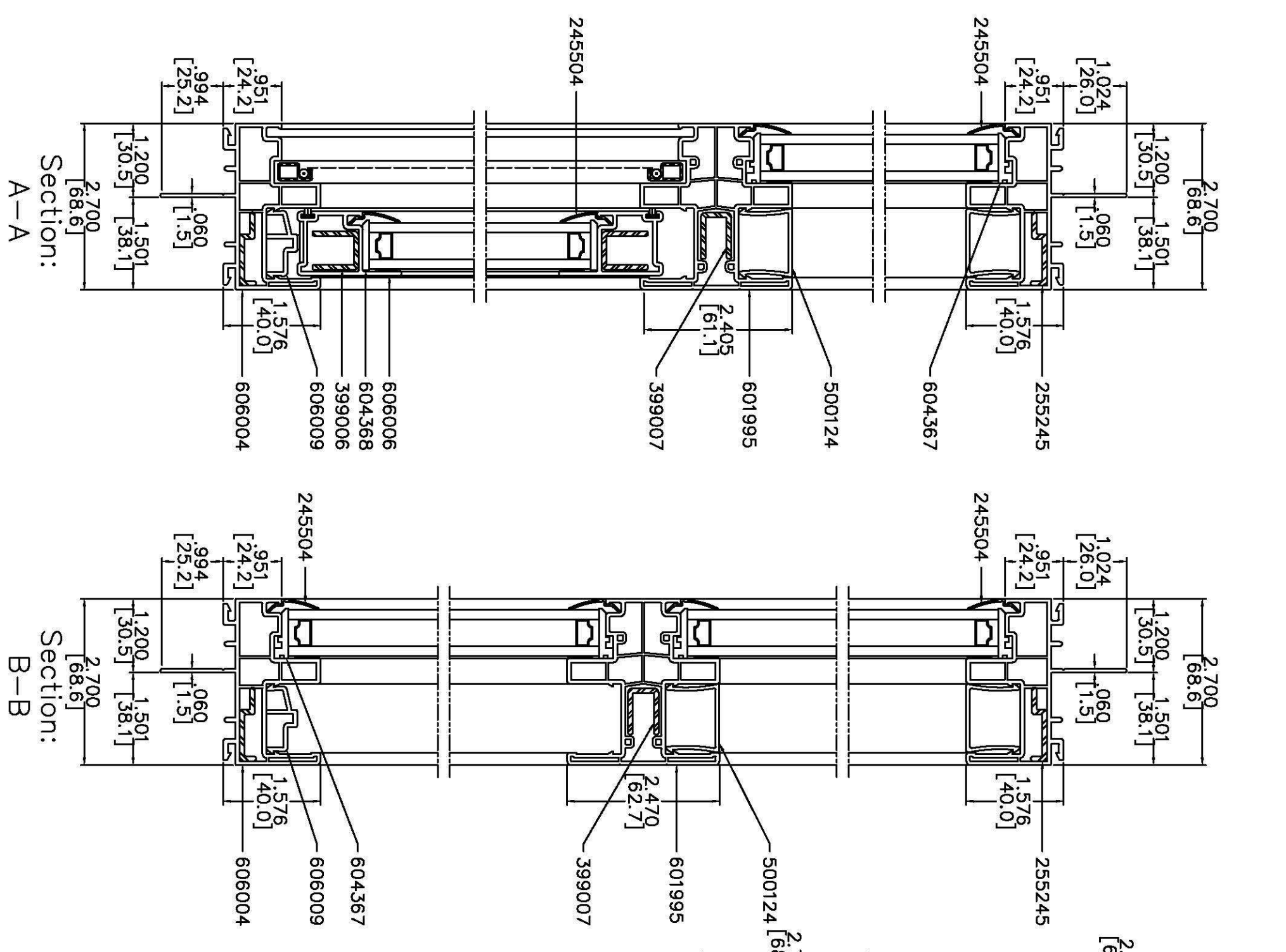
A



Frame reinforcement only for non-color profile.

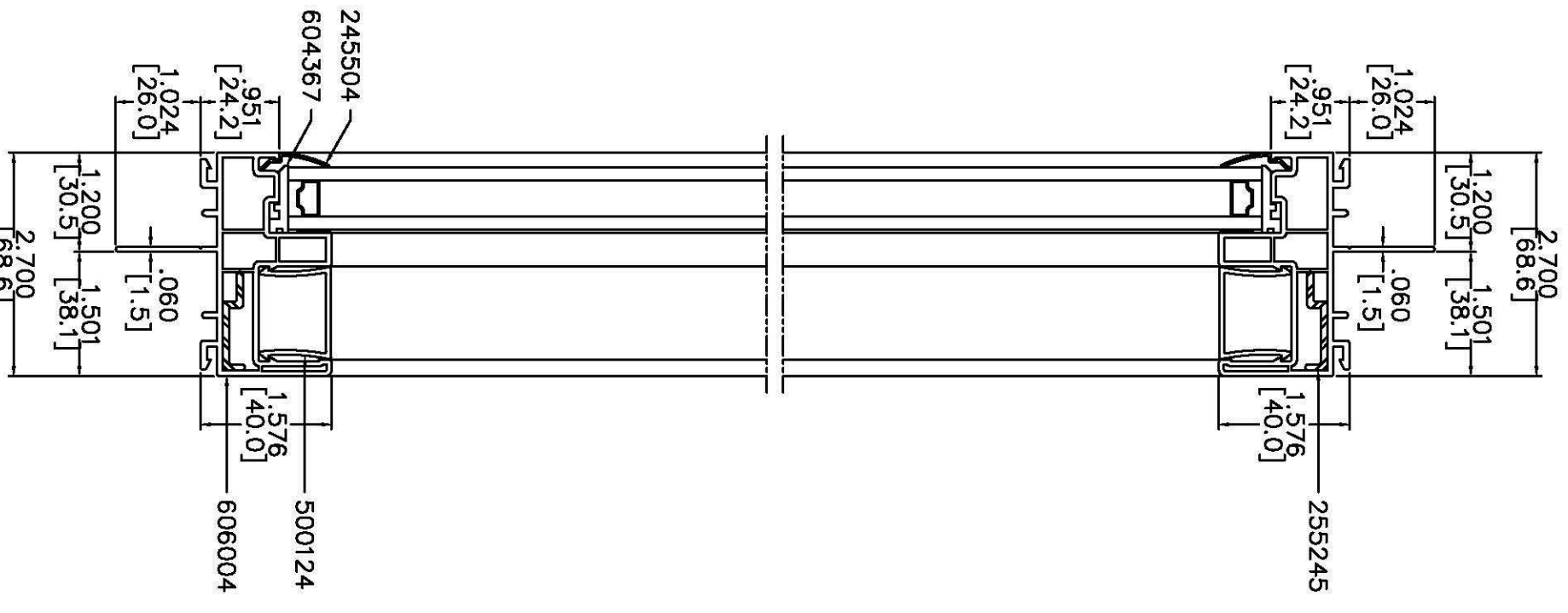
<p>Before using the drawing, the user must determine suitability of the drawing for user's intended use and shall assume all risk and liability in connection therewith. REHAU DISCLAIMS ALL WARRANTIES, EXPRESS OR IMPLIED, INCLUDING BUT NOT LIMITED TO ANY IMPLIED WARRANTIES OF MERCHANTABILITY OR FITNESS FOR A PARTICULAR PURPOSE.</p>		<p>CRYSTAL WINDOW & DOOR SYSTEMS, LTD. WWW.CRYSTALWINDOWS.COM</p>	
<p>Rev #</p>	<p>Revision Description & Date</p>	<p>System: 190 SERIES</p>	<p>Title: Double Fixed Frame with Nail Fin and T-Mullion</p>
<p>Date: 10/28/2018</p>	<p>Scale:</p>	<p>Drawn by: FHS</p>	<p>Rev.:</p>
<p>© 2018 REHAU. Do not disclose without written permission</p>			

Section:
A-A

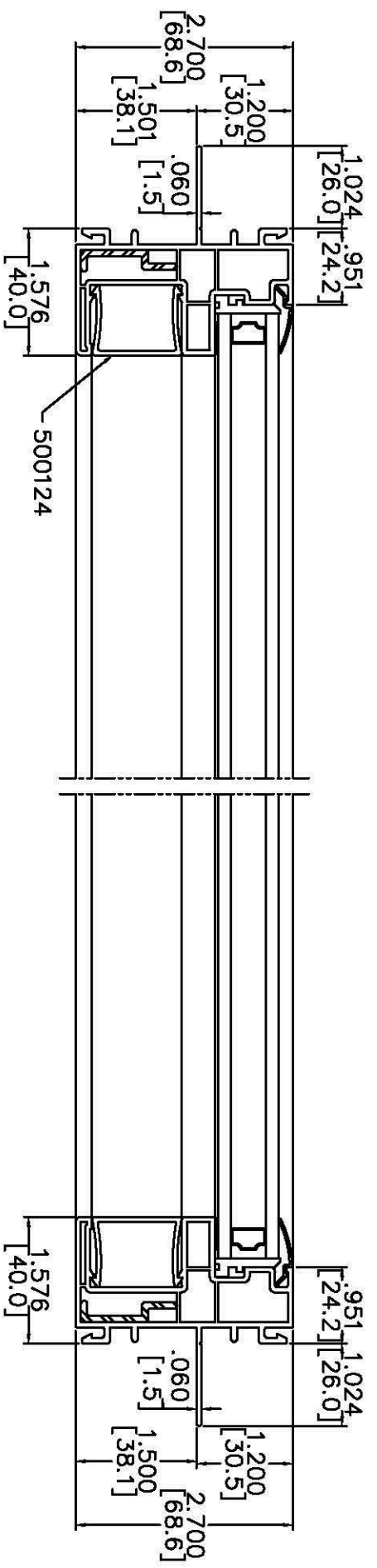


Revision Description & Date		System: 190 SERIES
Rev #		
<p>Before using the drawing, the user must determine suitability of the drawing for user's intended use and shall assume all risk and liability in connection therewith. EXPRESS OR IMPLIED, REHAU DISCLAIMS ALL WARRANTIES, INCLUDING BUT NOT LIMITED TO ANY IMPLIED WARRANTIES OF MERCHANTABILITY OR FITNESS FOR A PARTICULAR PURPOSE.</p>		
<p>CRYSTAL® WINDOW & DOOR SYSTEMS, LTD. WWW.CRYSTALWINDOW.COM</p>		Title: Fixed over Single Slider Frame with Nail Fin and T-Mullion
Date: 10/26/2016	Scale:	Drawn by:FHS
© 2016 REHAU. Do not disclose without written permission	Drawing No.: 2002-16-363	Rev.:

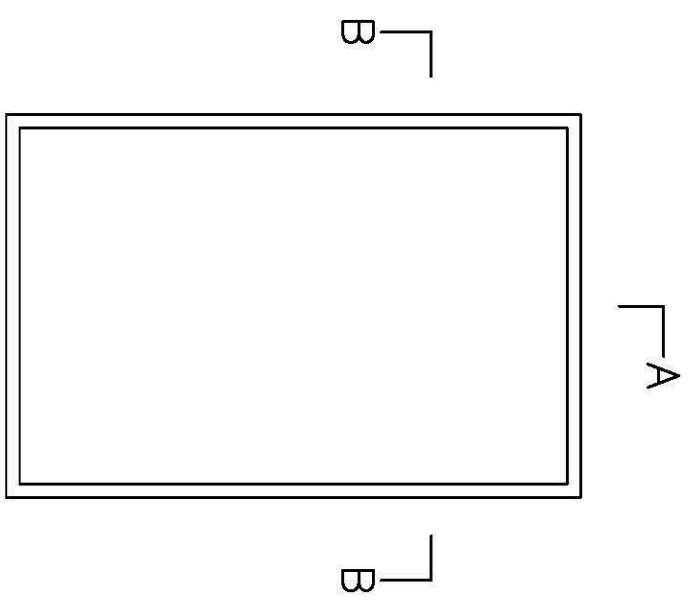
Frame reinforcement only for non-color profile.

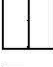


Section:
A-A

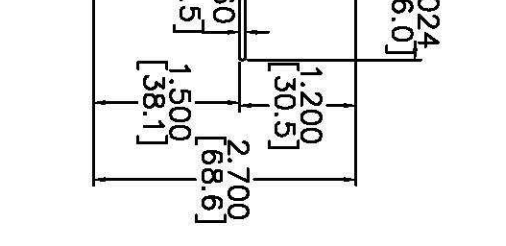
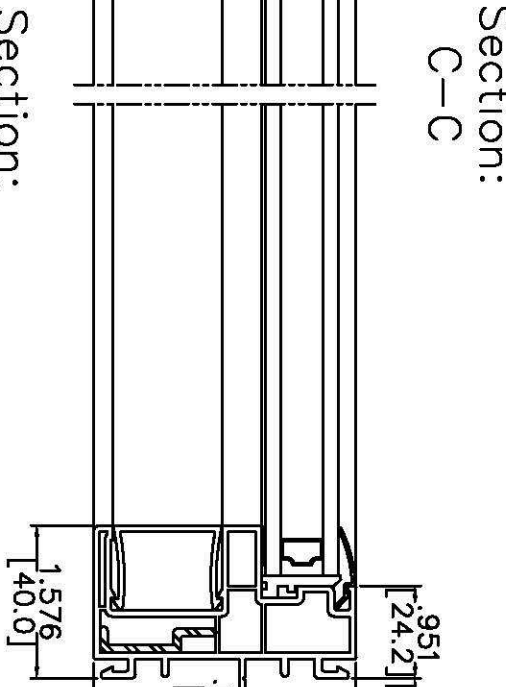
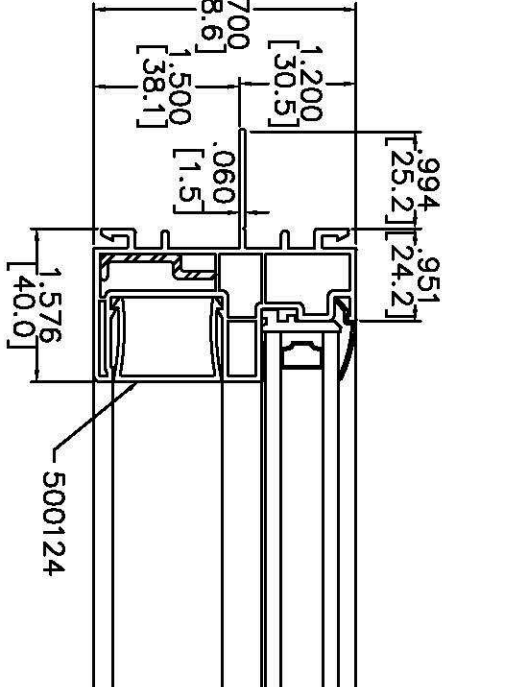
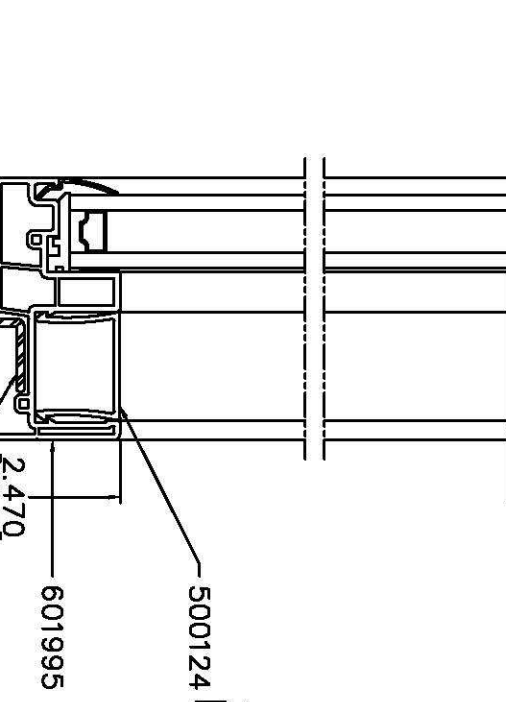
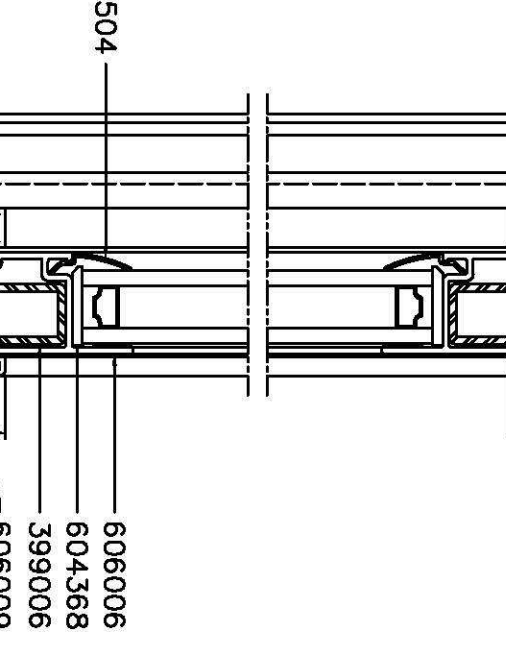
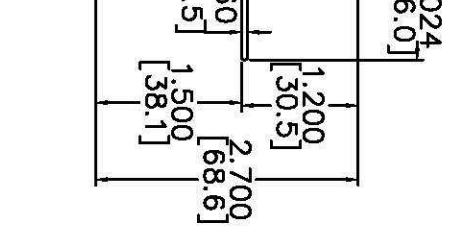
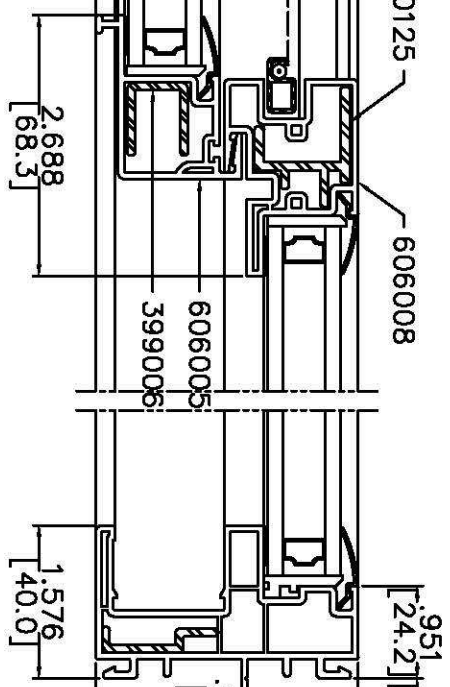
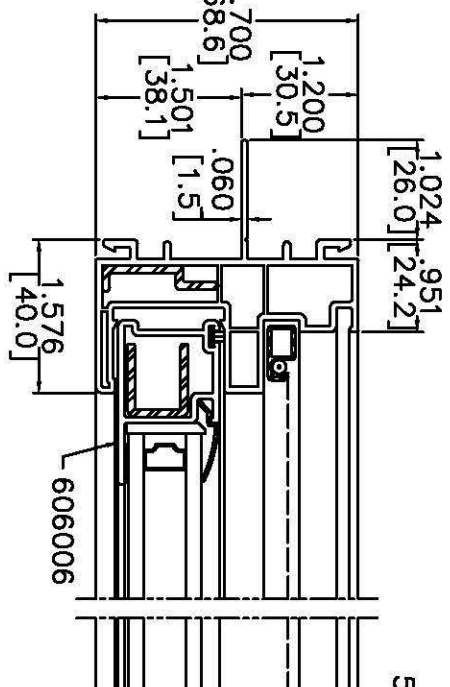
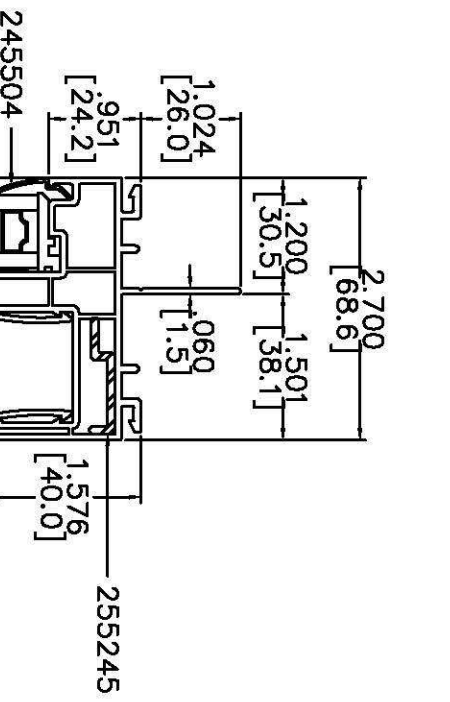
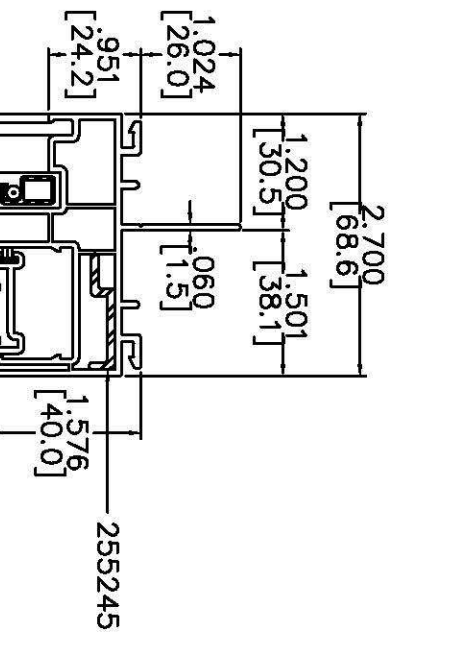
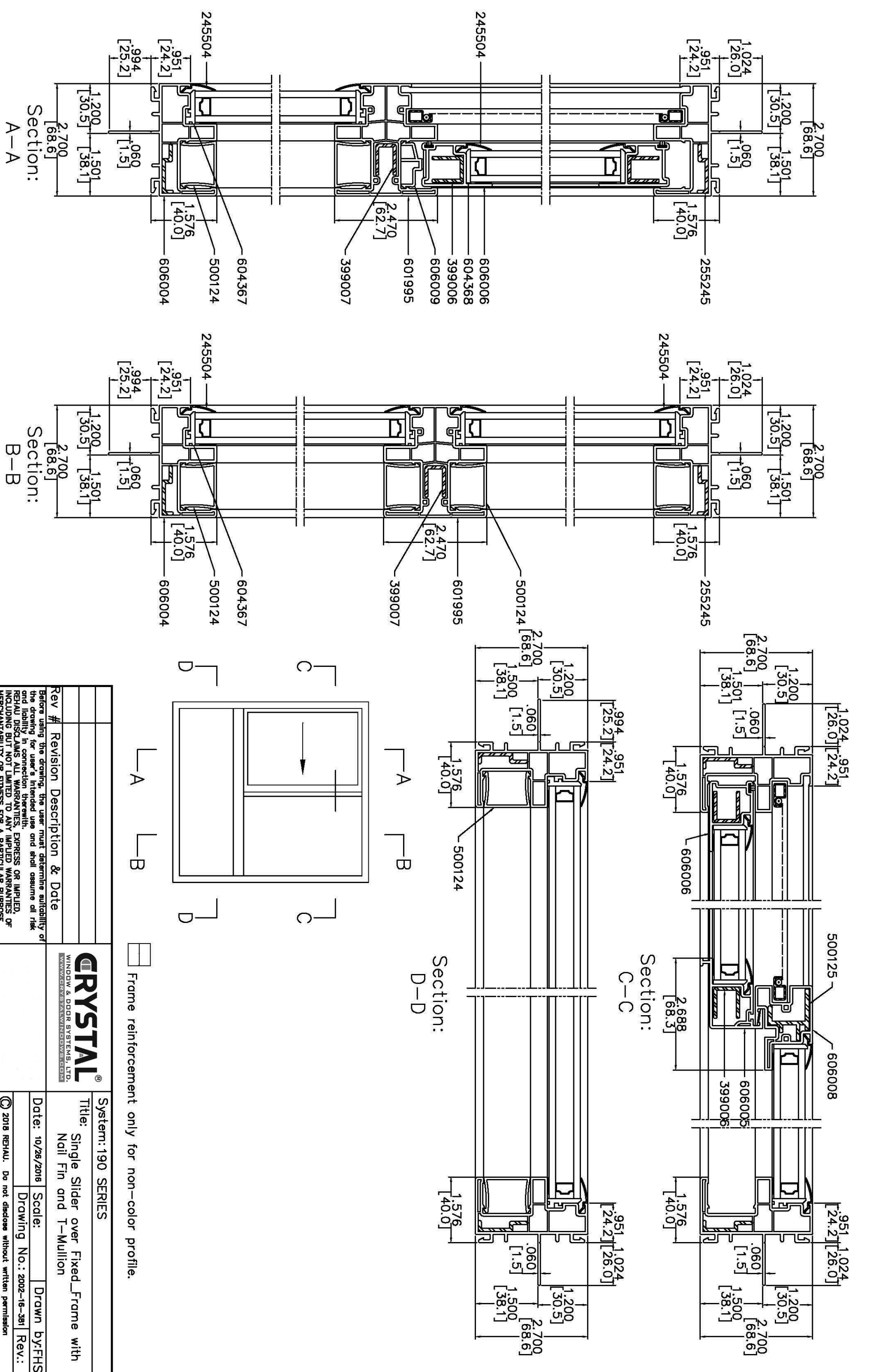


Section:
B-B



 Frame reinforcement only for non-color profile.

CRYSTAL <small>WINDOW & DOOR SYSTEMS, LTD. WWW.CRYSTALWINDOW.COM</small>		System: 190 SERIES Title: Fixed_Frame with Nail Fin	
Rev # Revision Description & Date <small>Before using the drawing, the user must determine suitability of the drawing for user's intended use and shall assume all risk and liability in connection therewith. REHAU DISCLAIMS ALL WARRANTIES, EXPRESS OR IMPLIED, INCLUDING BUT NOT LIMITED TO ANY IMPLIED WARRANTIES OF MERCHANTABILITY OR FITNESS FOR A PARTICULAR PURPOSE.</small>	Date: 10/26/2016 Scale:	Drawn by: FHS Drawing No.: 2002-16-361 Rev.:	© 2016 REHAU. Do not disclose without written permission.



Section: A-A

Section: B-B

Section: C-C

Section: D-D

Frame reinforcement only for non-color profile.



Revision #		Revision Description & Date	

Before using the drawing, the user must determine suitability of the drawing for user's intended use and shall assume all risk and liability in connection therewith. REHAU DISCLAIMS ALL WARRANTIES, EXPRESS OR IMPLIED, INCLUDING BUT NOT LIMITED TO ANY IMPLIED WARRANTIES OF MERCHANTABILITY OR FITNESS FOR A PARTICULAR PURPOSE.

CRYSTAL [®] WINDOW & DOOR SYSTEMS, LTD. <small>MARKING: REHAU / REHAU WINDOORSYSTEMS</small>	System: 190 SERIES
Title: Single Slider over Fixed Frame with Nail Fin and T-Mullion	Date: 10/28/2016
Scale:	Drawn by: FHS
Drawing No.: 2002-16-381	Rev.:
© 2016 REHAU. Do not disclose without written permission.	