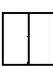



Section:  
B-B

Section:  
C-C

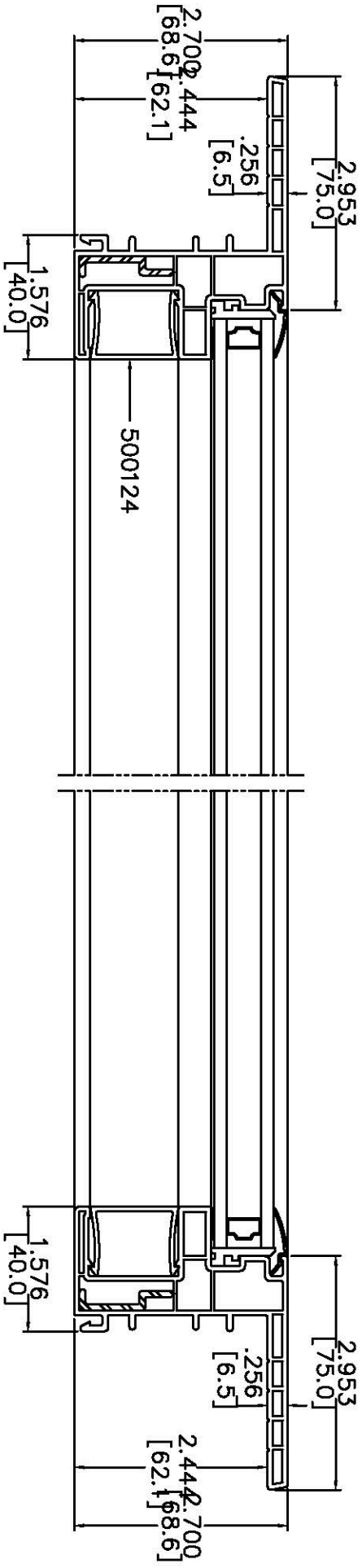
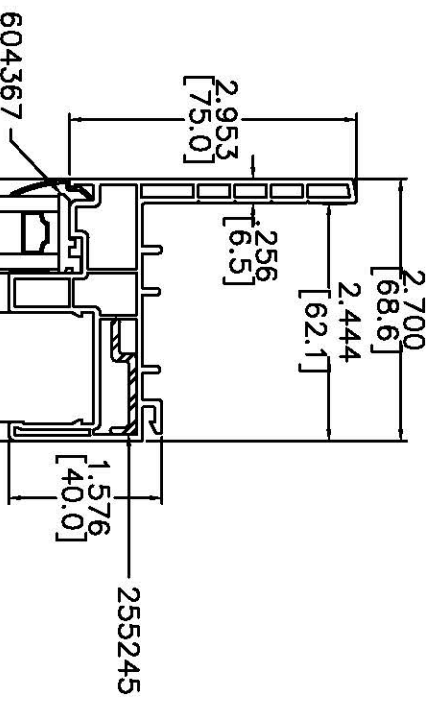
 Frame reinforcement only for non-color profile.

Rev #	Revision Description & Date

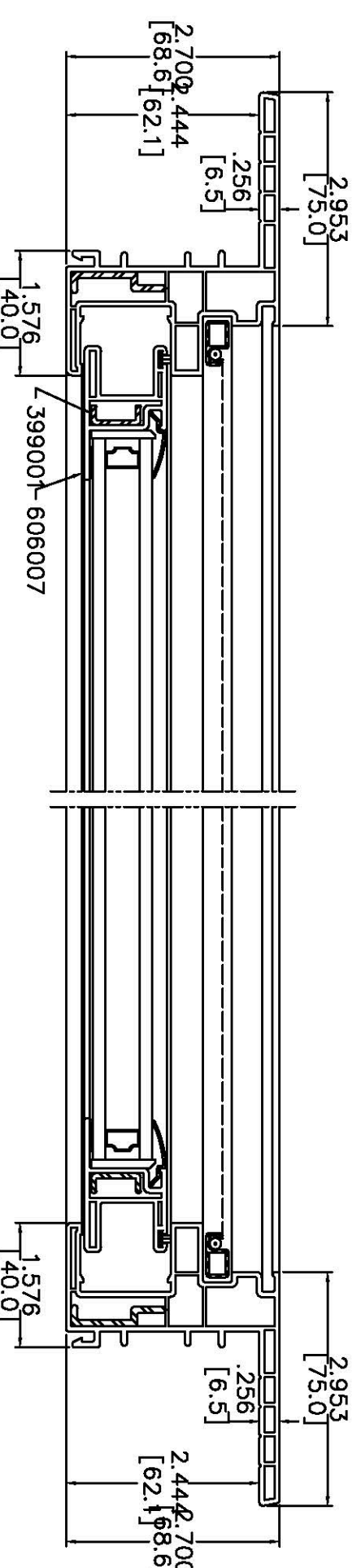
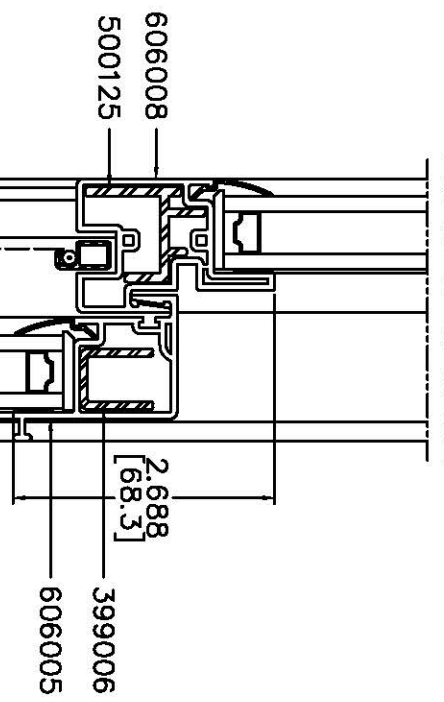
Before using the drawing, the user must determine suitability of the drawing for user's intended use and shall assume all risk and liability in connection therewith. EXPRESS OR IMPLIED, REHAU DISCLAIMS ALL WARRANTIES, EXPRESS OR IMPLIED, INCLUDING BUT NOT LIMITED TO ANY IMPLIED WARRANTIES OF MERCHANTABILITY OR FITNESS FOR A PARTICULAR PURPOSE.

	
WINDOW & DOOR SYSTEMS, LTD. WWW.CRYSTALWINDOWS.COM	
System: 190 SERIES	
Title: Single Hung Frame with Nail Fin	
Date: 10/26/2016	Scale:      Drawn by: FHS
Tel: (703) 777-5255	Drawing No.: 2002-16-365 Rev.:
© 2016 REHAU. Do not disclose without written permission.	

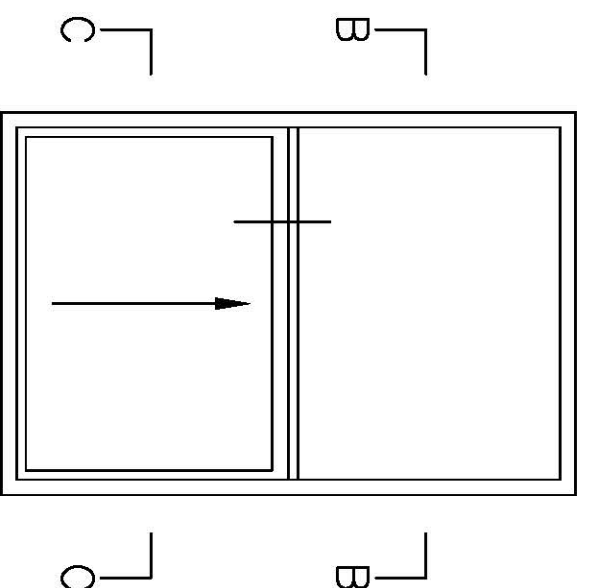
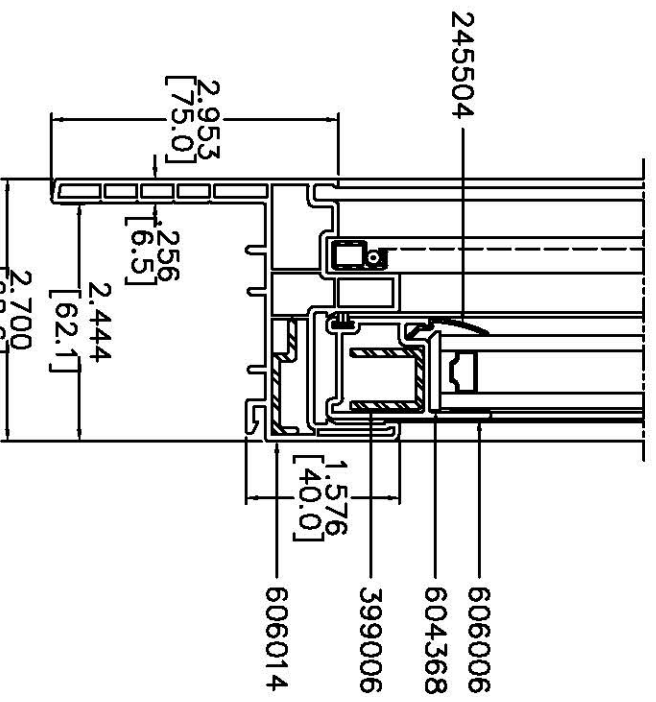
Section:  
A-A

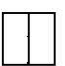


Section:  
B-B



Section:  
C-C



 Frame reinforcement only for non-color profile.

Section:  
A-A

Rev #	Revision Description & Date

Before using the drawing, the user must determine suitability of the drawing for user's intended use and shall assume all risk and liability in connection therewith. EXPRESS OR IMPLIED, REHAU DISCLAIMS ALL WARRANTIES, EXPRESS OR IMPLIED, INCLUDING BUT NOT LIMITED TO ANY IMPLIED WARRANTIES OF MERCHANTABILITY OR FITNESS FOR A PARTICULAR PURPOSE.

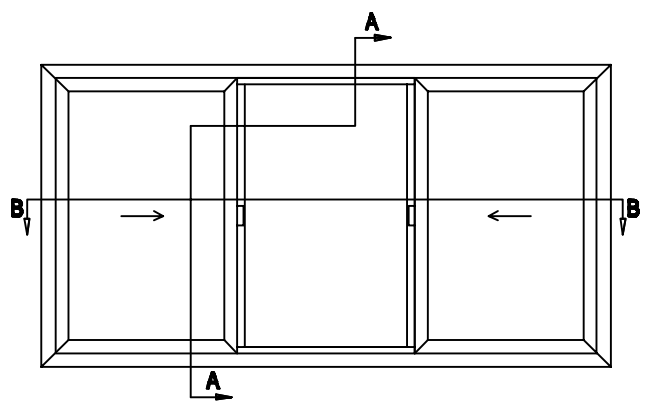
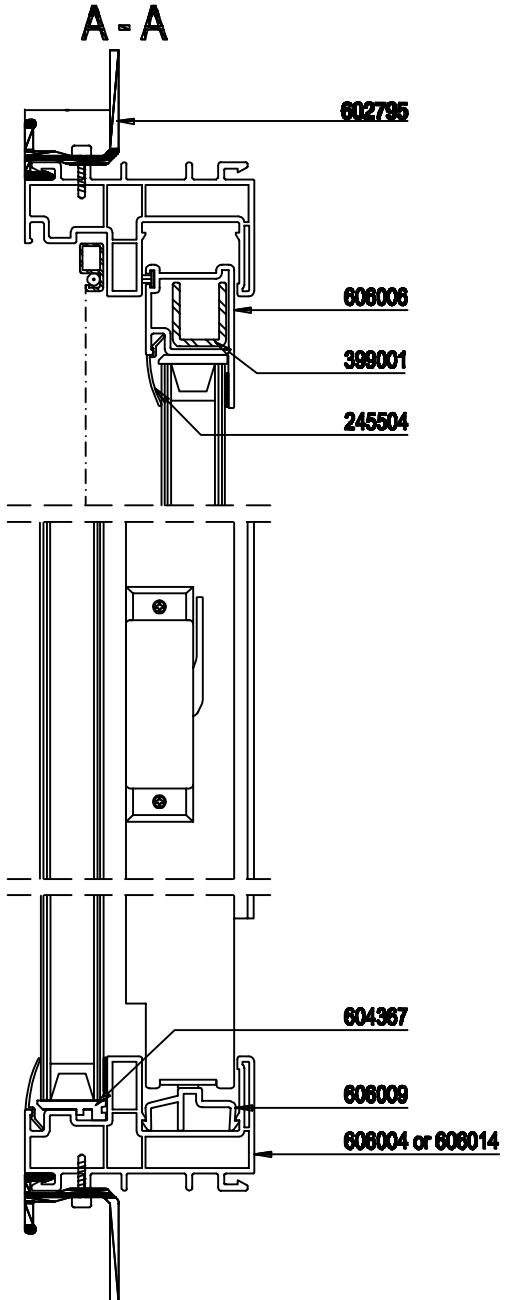
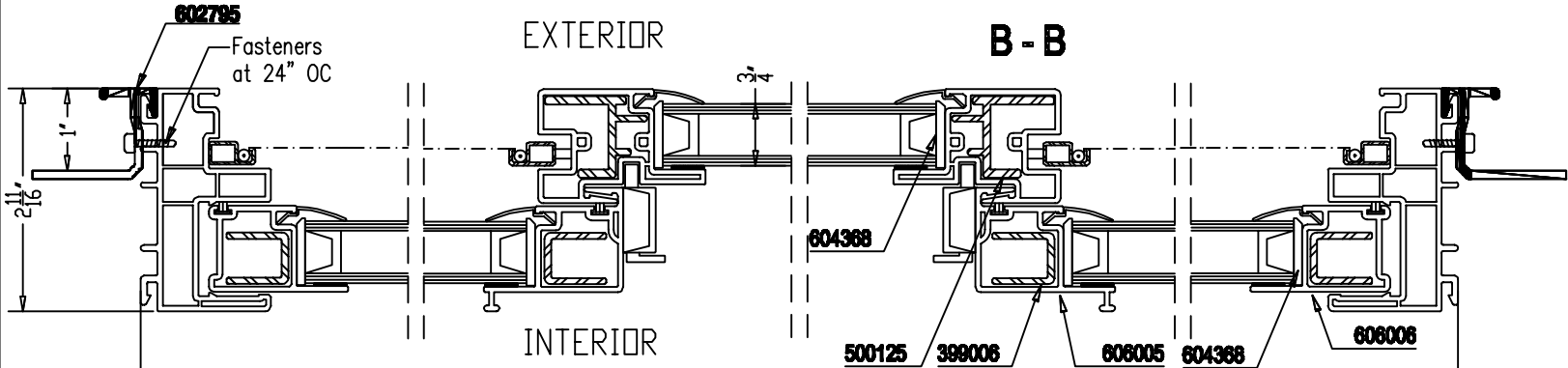
	
System: 190 SERIES Title: Single Hung_Frame with Stucco Fin	
Date: 10/28/2016	Scale:      Drawn by:FHS
© 2018 REHAU. Do not disclose without written permission	Drawing No.: 2002-16-366 Rev.:



# SYSTEM 190

## SYSTEM DRAWINGS

### Double-Slider Window



# SYSTEM 190

## SYSTEM DRAWINGS

Double-Slider Window

