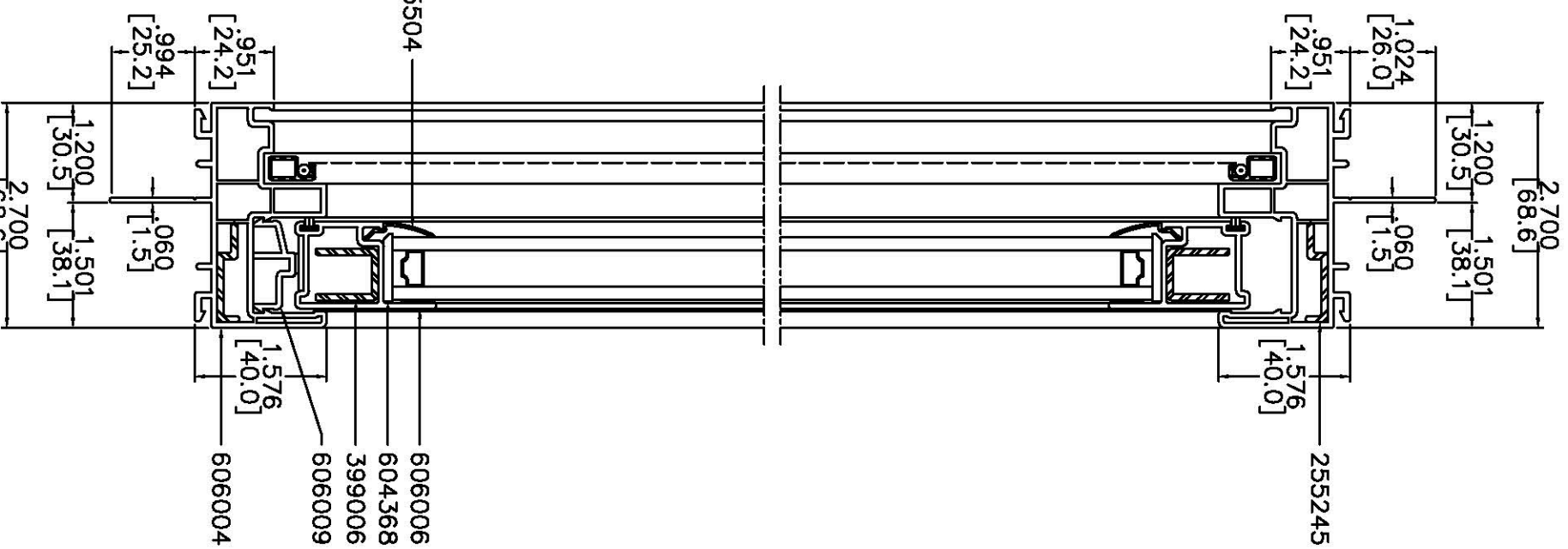
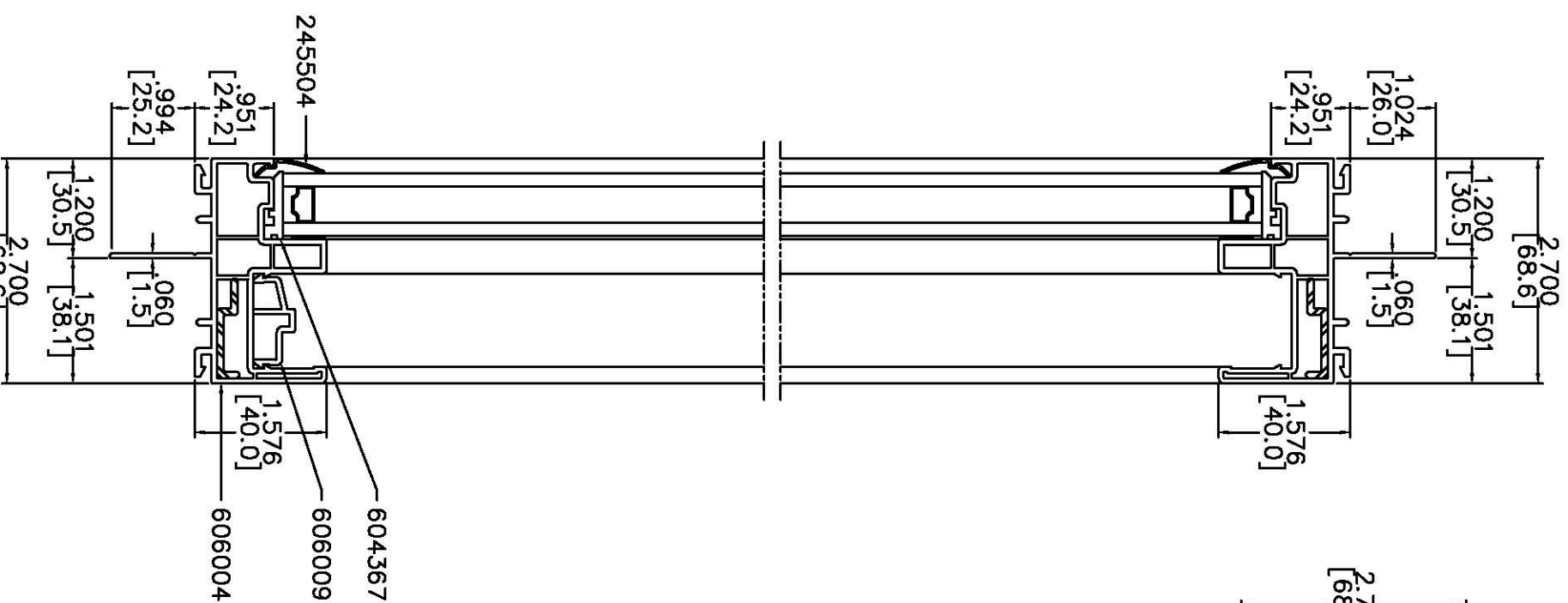


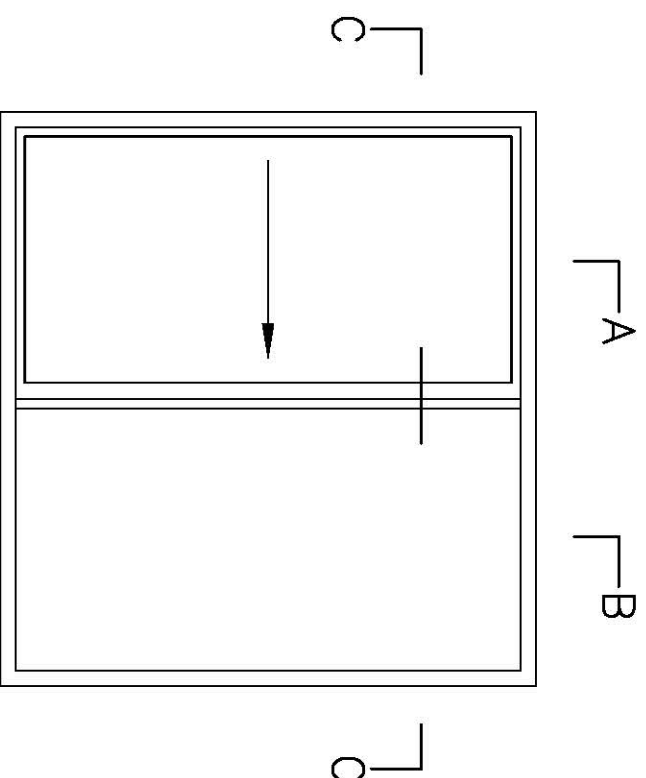
Section:
C-C

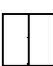


Section:
A-A

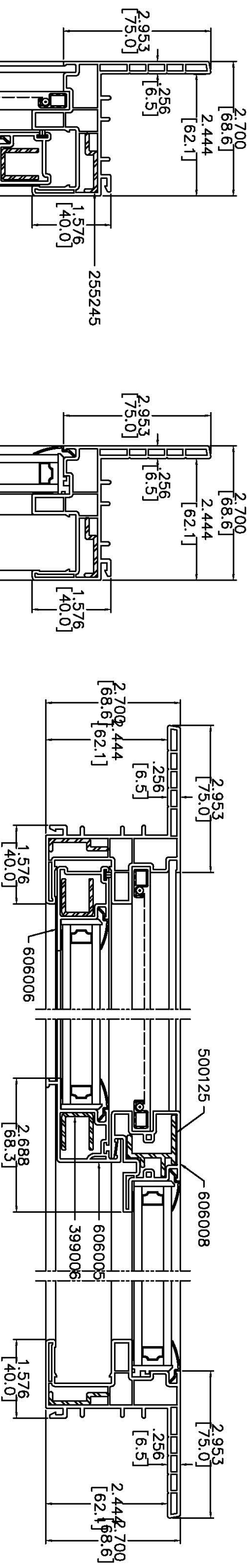


Section:
B-B

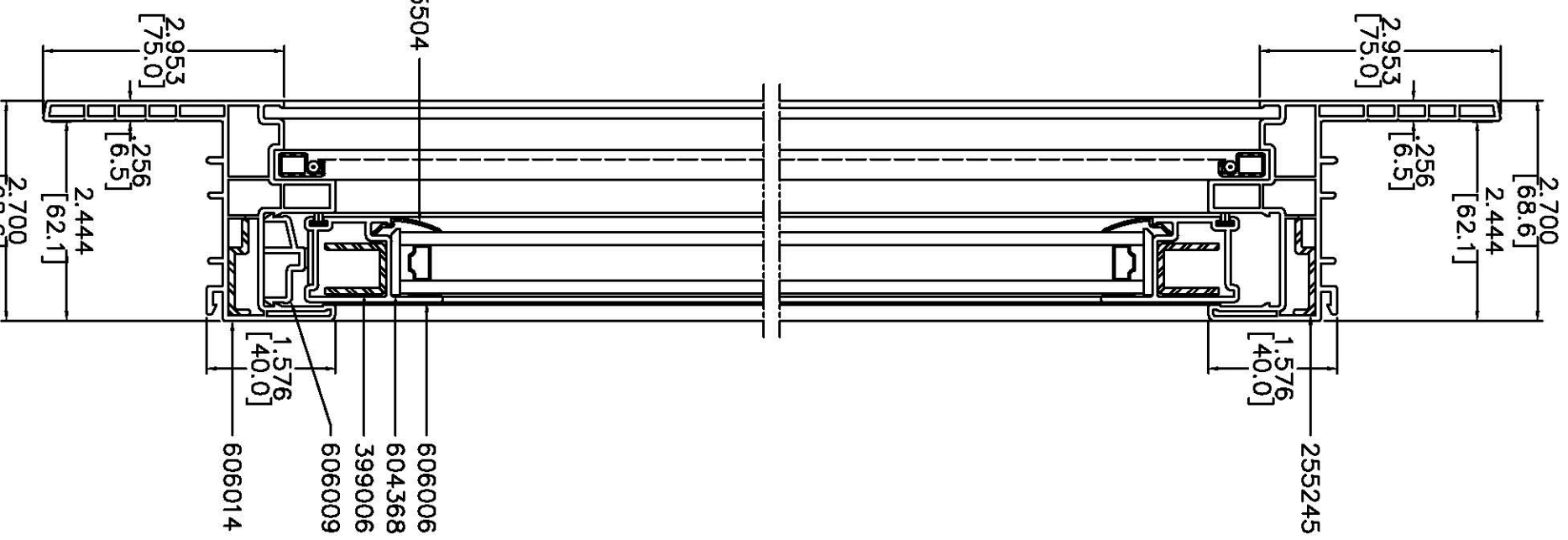


 Frame reinforcement only for non-color profile.

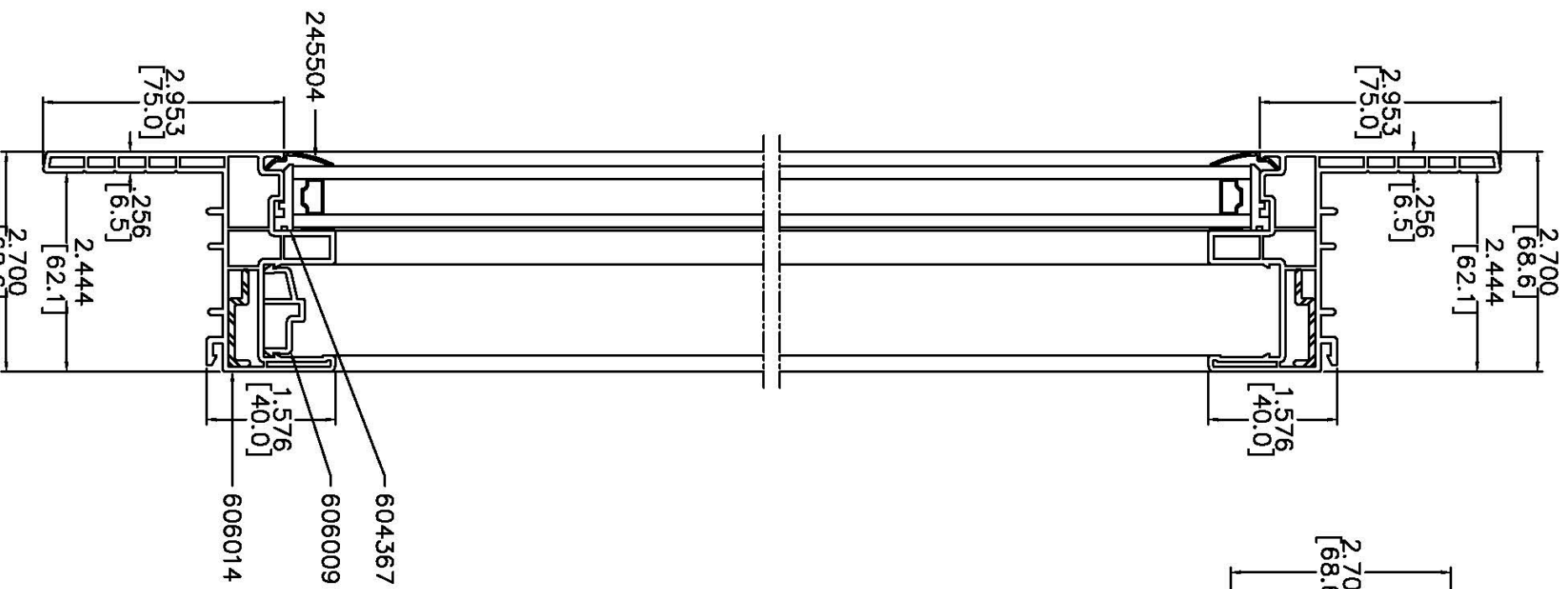
Rev #	Revision Description & Date	System: 190 SERIES
	Before using the drawing, the user must determine suitability of the drawing for user's intended use and shall assume all risk and liability in connection therewith. EXPRESS OR IMPLIED, REHAU DISCLAIMS ALL WARRANTIES, INCLUDING BUT NOT LIMITED TO ANY IMPLIED WARRANTIES OF MERCHANTABILITY OR FITNESS FOR A PARTICULAR PURPOSE.	CRYSTAL WINDOW & DOOR SYSTEMS, LTD. XXXXXXXXXXXXXXXXXXXXXXXXXXXX
		Title: Single Slider_Frame with Nail Fin
		Date: 10/26/2016 Scale: Drawn by: FHS
		Drawing No.: 2002-16-375 Rev.:
		© 2016 REHAU. Do not disclose without written permission



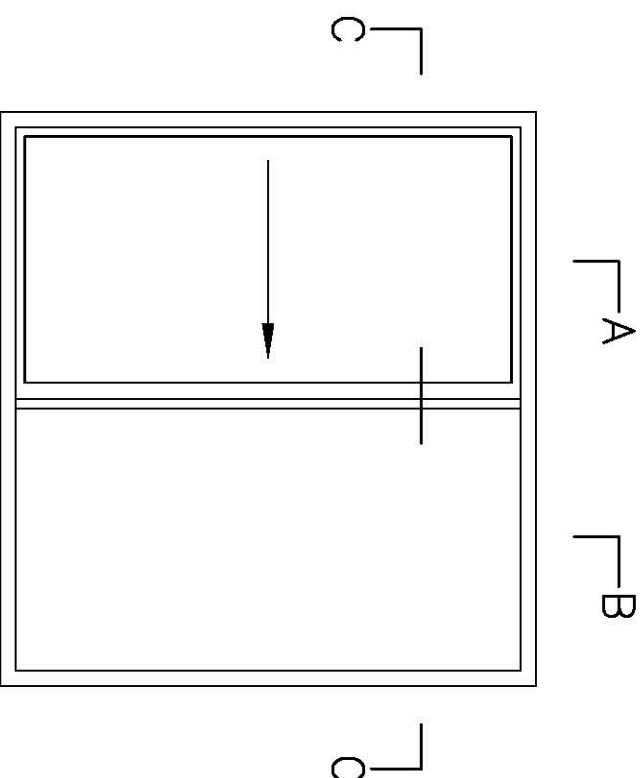
Section:
C-C




Section:
A-A



Section:
B-B

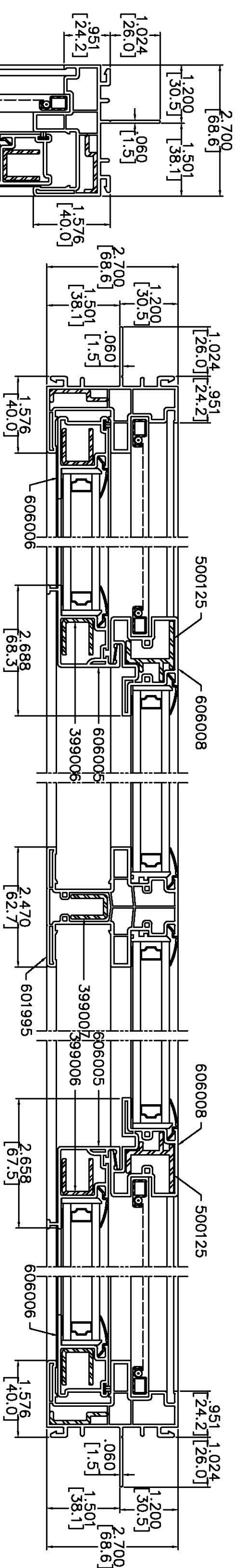


 Frame reinforcement only for non-color profile.

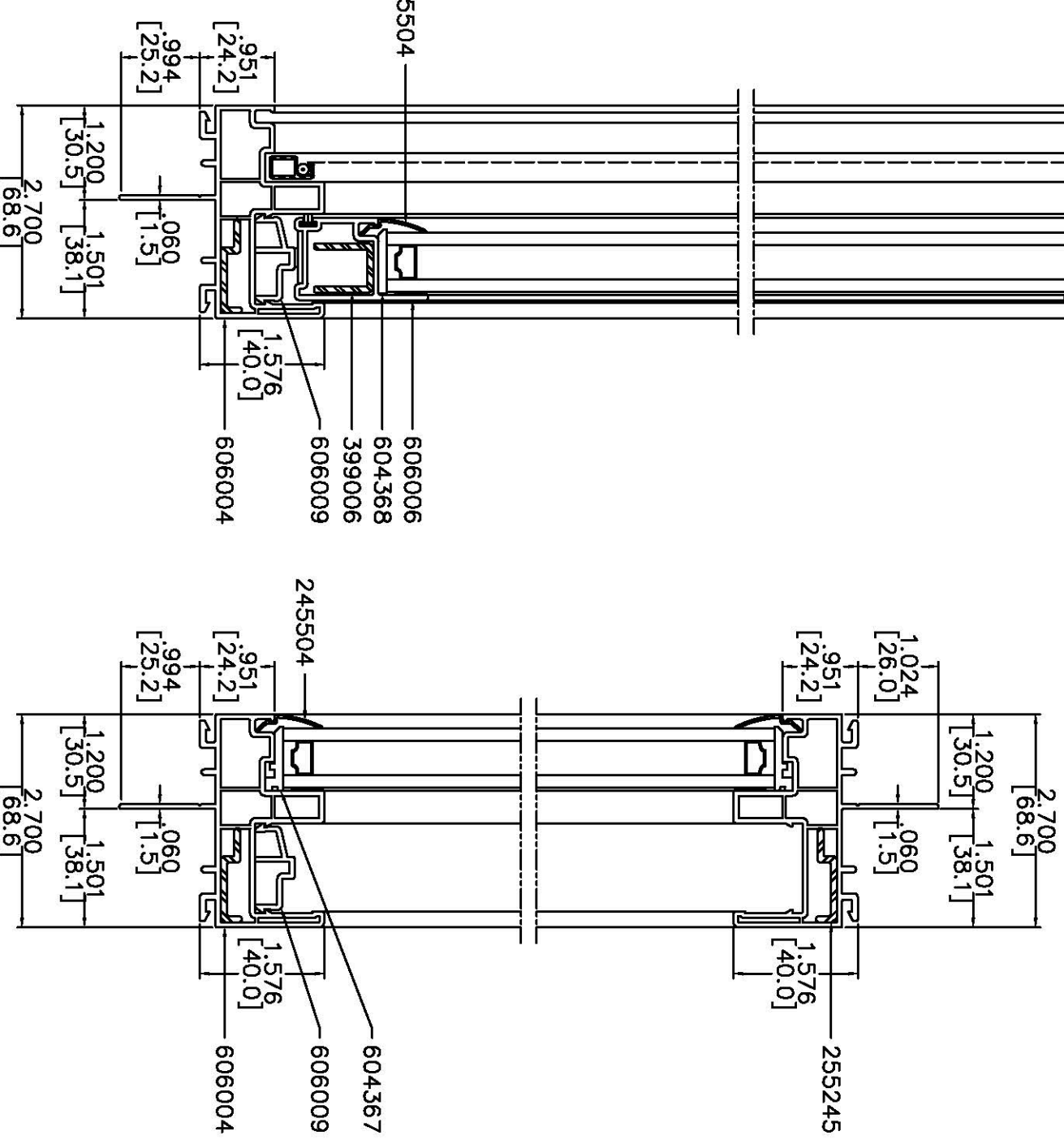
Rev #	Revision Description & Date	System: 190 SERIES		
	Before using the drawing, the user must determine suitability of the drawing for user's intended use and shall assume all risk and liability in connection therewith. EXPRESS OR IMPLIED, REHAU DISCLAIMS ALL WARRANTIES, INCLUDING BUT NOT LIMITED TO ANY IMPLIED WARRANTIES OF MERCHANTABILITY OR FITNESS FOR A PARTICULAR PURPOSE.	Title: Single Slider_Frame with Stucco Fin		
		Date: 10/28/2016	Scale:	Drawn by:FHS
			Drawing No.:2002-16-376	Rev.:

CRYSTAL
WINDOW & DOOR SYSTEMS, LTD.
WWW.CRYSTALWINDOW.COM

© 2018 REHAU. Do not disclose without written permission

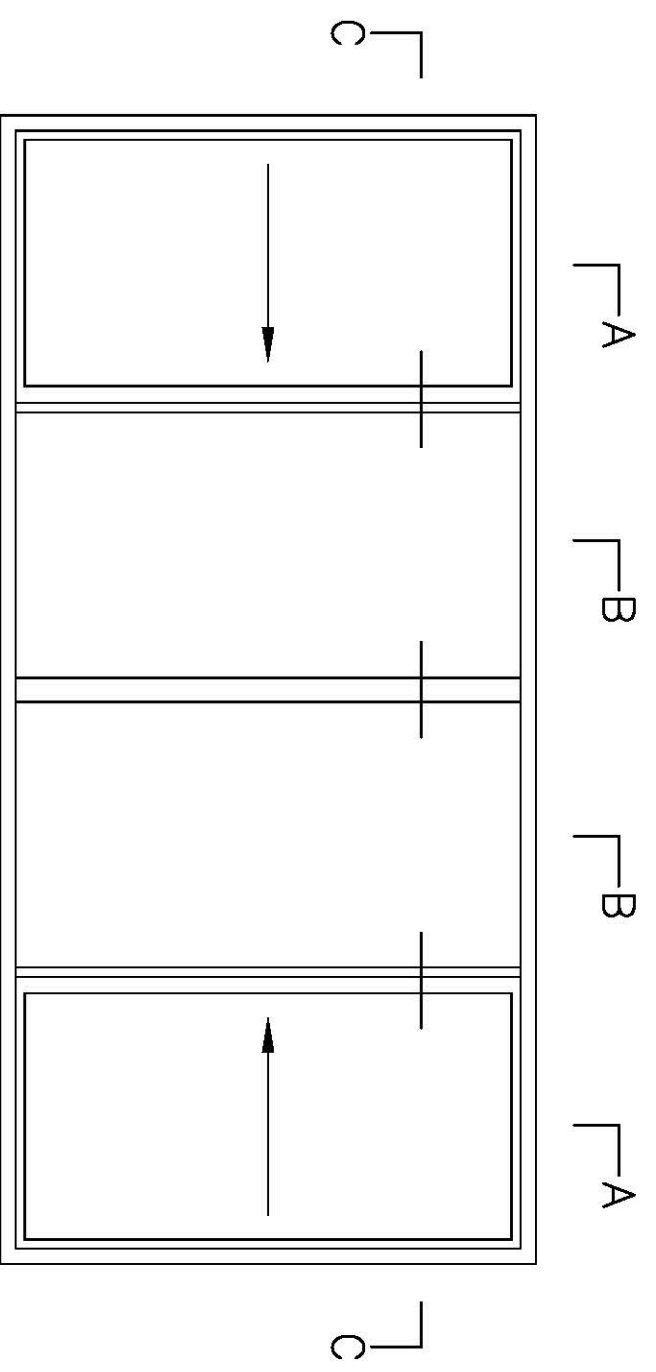


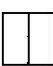
Section:
C-C



Section:
A-A

Section:
B-B



 Frame reinforcement only for non-color profile.

Rev #	Revision Description & Date

Before using the drawing, the user must determine suitability of the drawing for user's intended use and shall assume all risk and liability in connection therewith. EXPRESS OR IMPLIED, REHAU DISCLAIMS ALL WARRANTIES, INCLUDING BUT NOT LIMITED TO ANY IMPLIED WARRANTIES OF MERCHANTABILITY OR FITNESS FOR A PARTICULAR PURPOSE.

CRYSTAL <small>WINDOW & DOOR SYSTEMS, LTD.</small> <small>WWW.CRYSTALWINDOWS.COM</small>	
System: 190 SERIES	Title: Twin Single Slider Frame with Nail Fin and T-Mullion
Date: 10/28/2016	Scale: Drawn by:FHS
© 2018 REHAU. Do not disclose without written permission	Drawing No.: 2002-16-377 Rev.:

