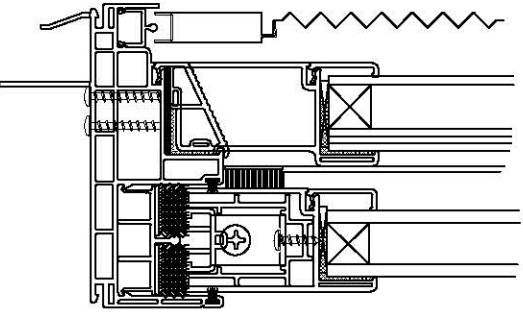
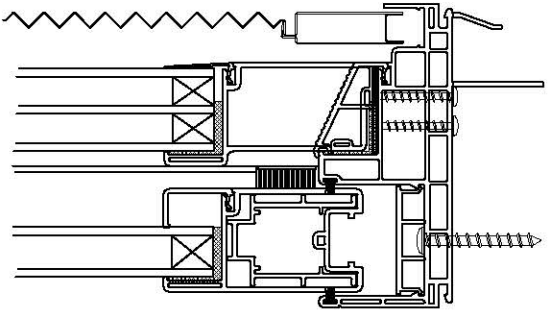
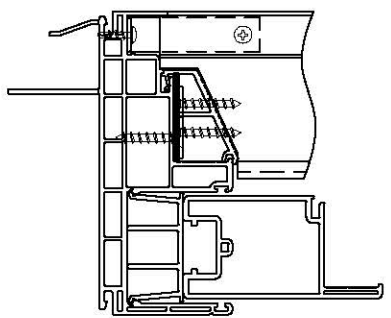


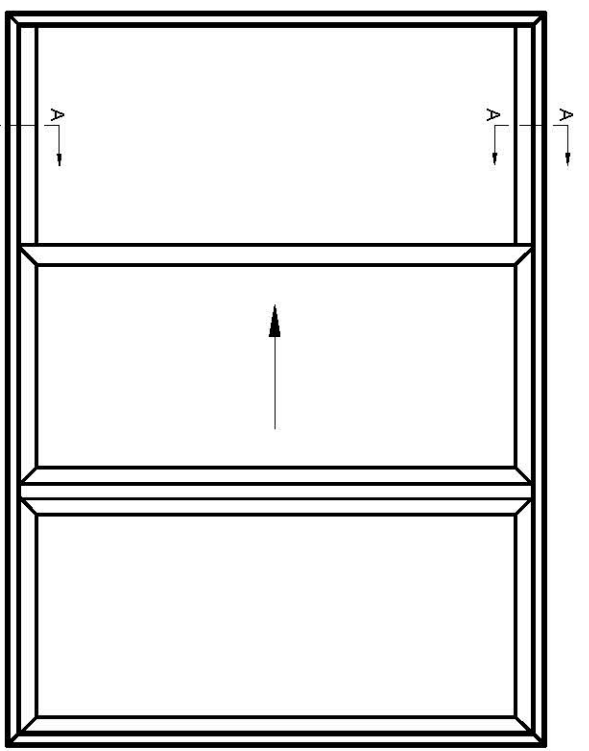
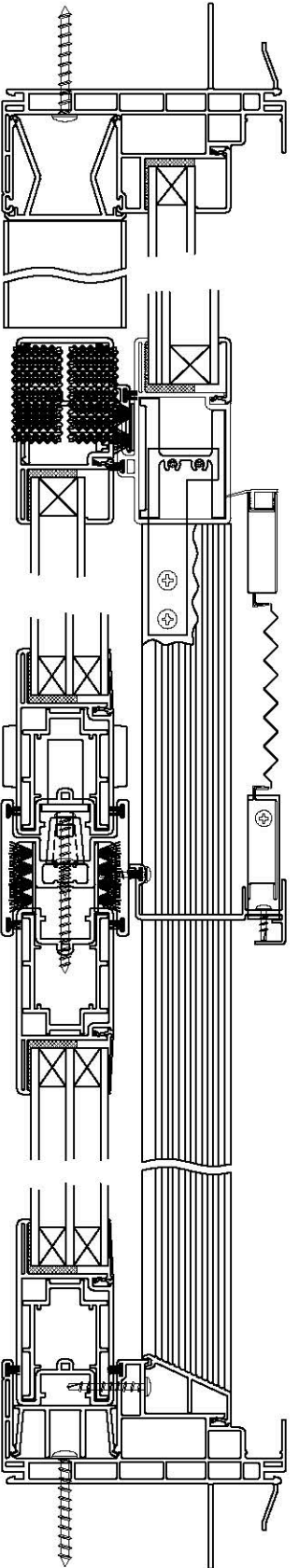
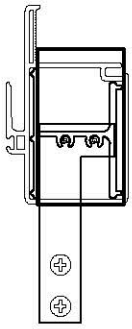
 <small>WINDOW &amp; DOOR SYSTEMS, LTD.</small> <small>WWW.CRYSTALWINDOWS.COM</small>		System: 2150 Title: OX System Drawing
Date: 03/18/20	Scale: NTS	Drawn by: JJT
Rev #	Revision Description & Date	Rev.:
-	-	-
<small>© 2014 REHAU. Do not disclose without written permission.</small>		



SECT. A-A TYP. AT  
HEAD & SILL DIRECT SCREW INTERLOCK

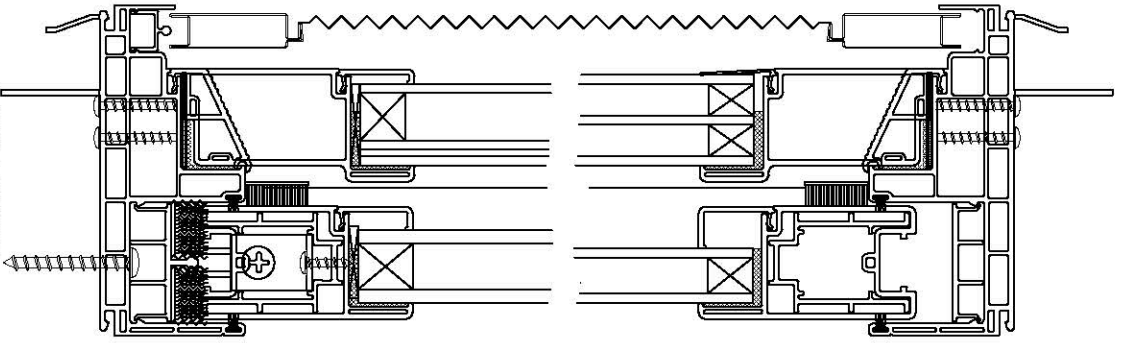


SECT. A-A TYPICAL AT HEAD/SILL  
WITH OPTIONAL BRACKET BELOW

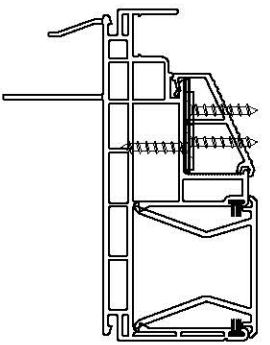


OXO - INTERIOR ELEVATION

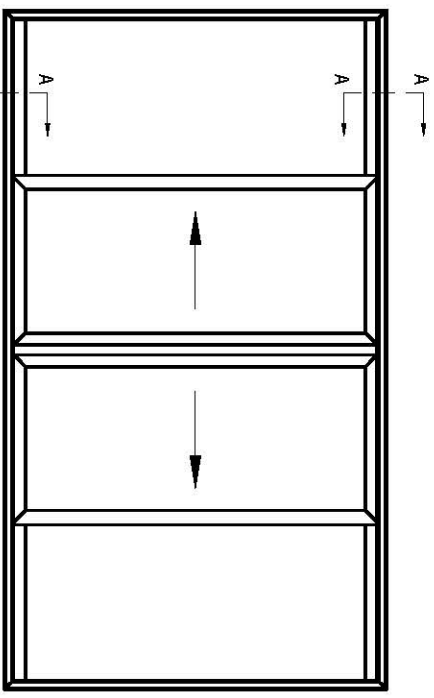
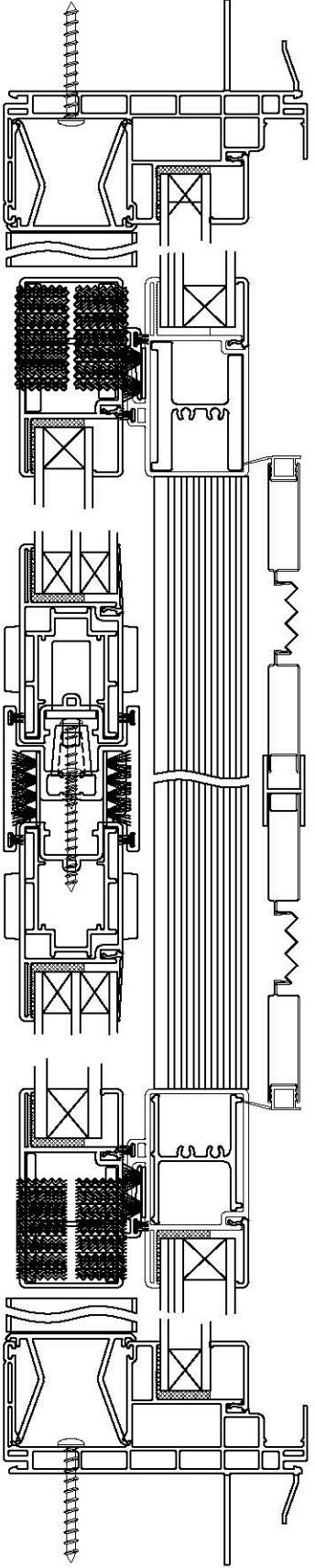
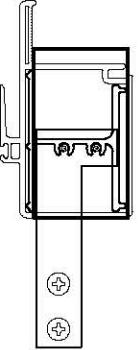
<p><b>CRYSTAL</b> WINDOW &amp; DOOR SYSTEMS, LTD. www.crystalwindow.com</p>		<p>System: 2150</p>	
<p>Title: OXO System Drawing</p>		<p>Date: 02/03/20      Scalers: TS      Drawn by: JJT</p>	
<p>Rev # Revision Description &amp; Date</p>		<p>Drawing No.: 2150-OXXO      Rev.:</p>	
<p>© 2014 REHAU. Do not disclose without written permission</p>		<p></p>	



SECT. A-A TYP. AT  
HEAD & SILL DIRECT SCREW INTERLOCK



SECT. A-A TYPICAL AT HEAD/SILL  
WITH OPTIONAL BRACKET BELOW



0XXO - INTERIOR ELEVATION

		System: 2150	
WINDOW & DOOR SYSTEMS, LTD. <small>WWW.CRYSTALWINDOWS.COM</small>		Title: 0XXO System Drawing	
Date: 02/03/20	Scale: NTS	Drawn by: JLT	Rev:
© 2014 REHAU. Do not disclose without written permission			
Rev #	Revision Description & Date		