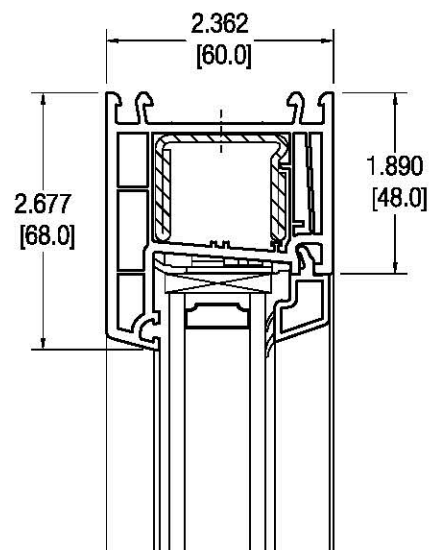
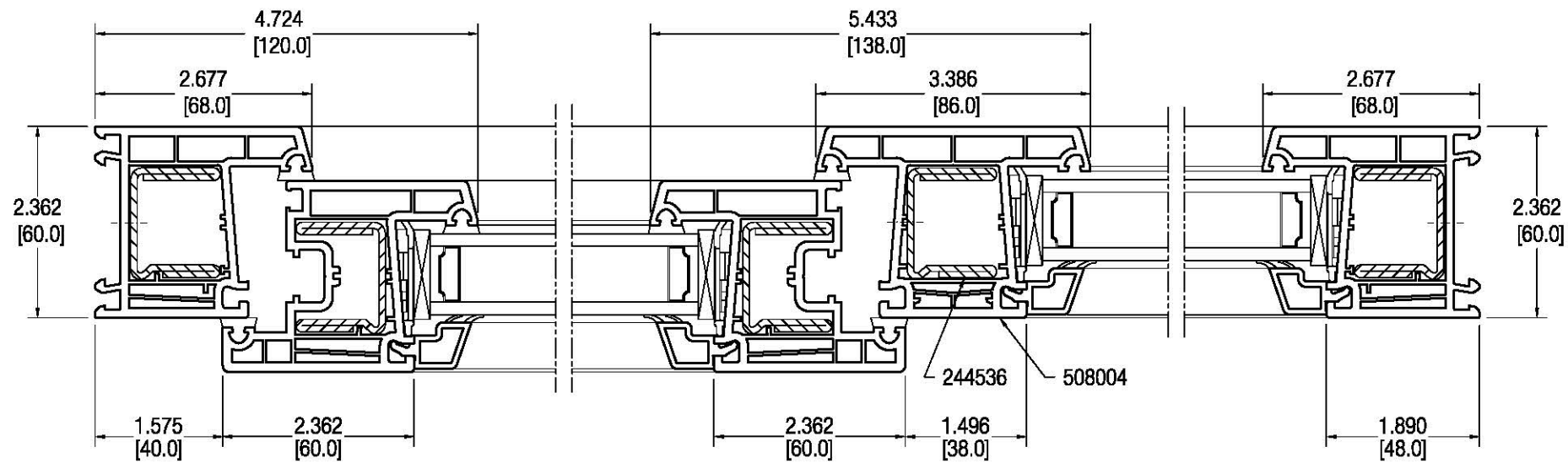
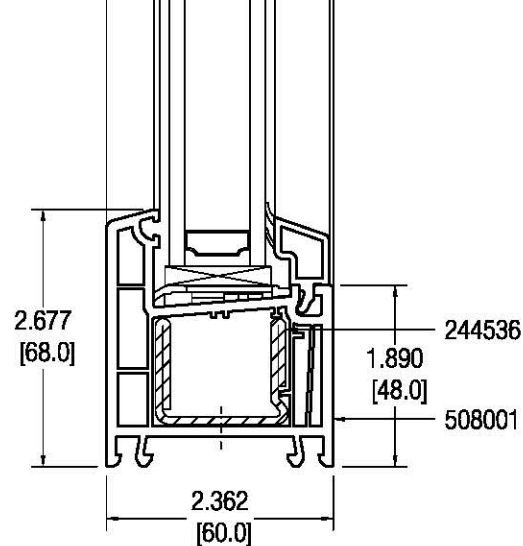
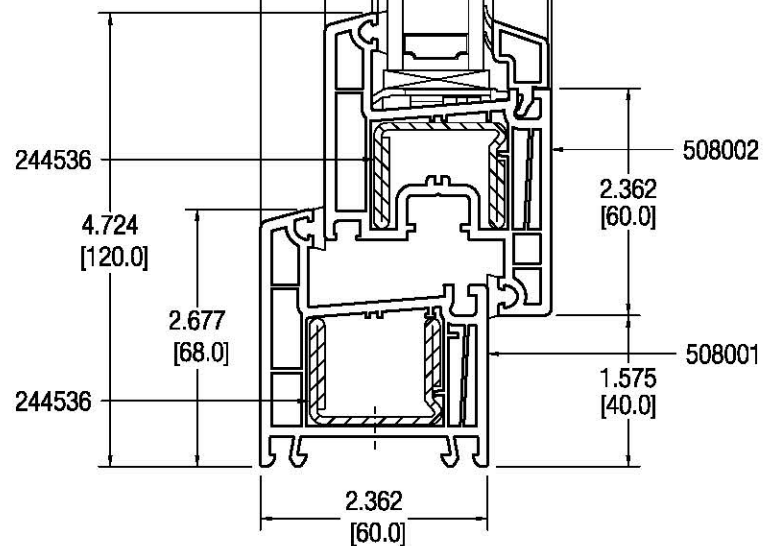


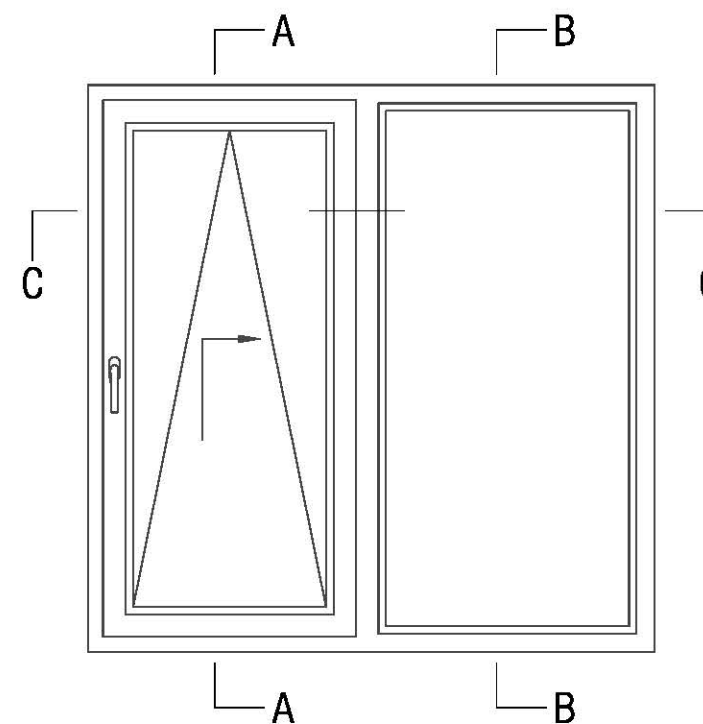
Section: A-A



Section: B-B



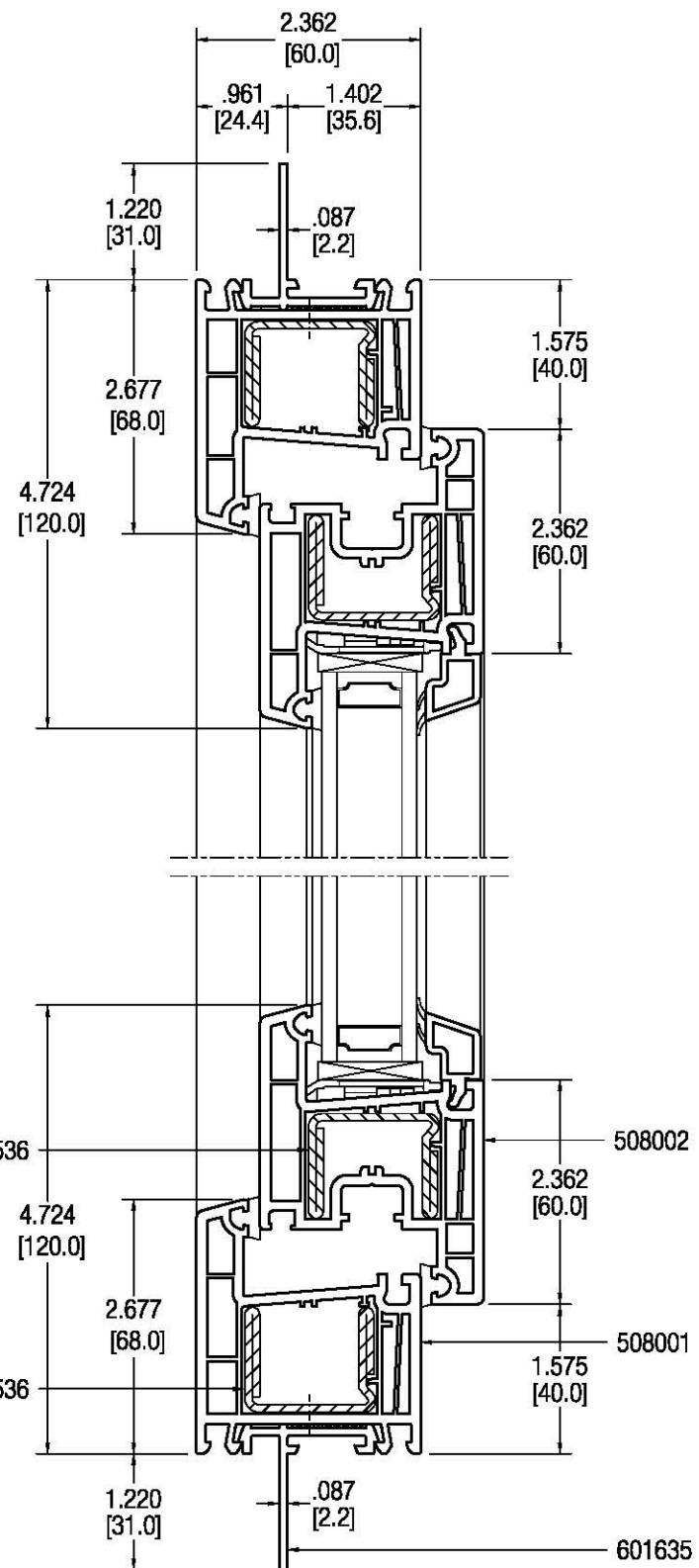
Section: C-C



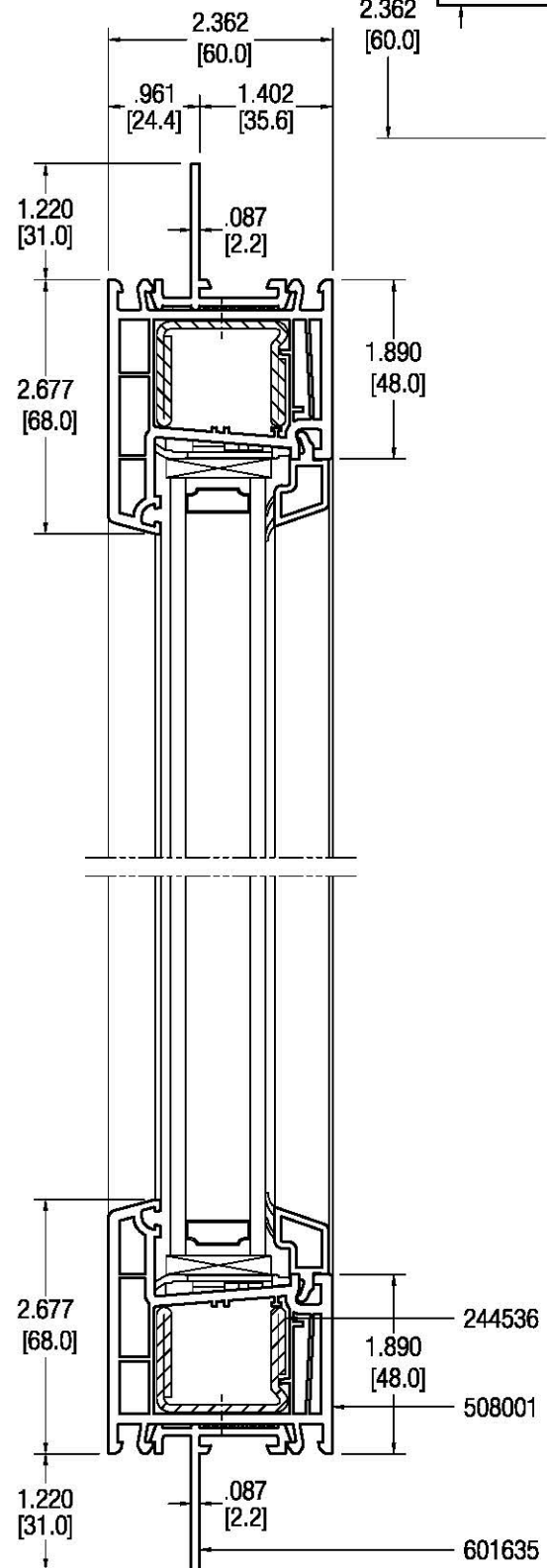
Rev #	Revision Description & Date



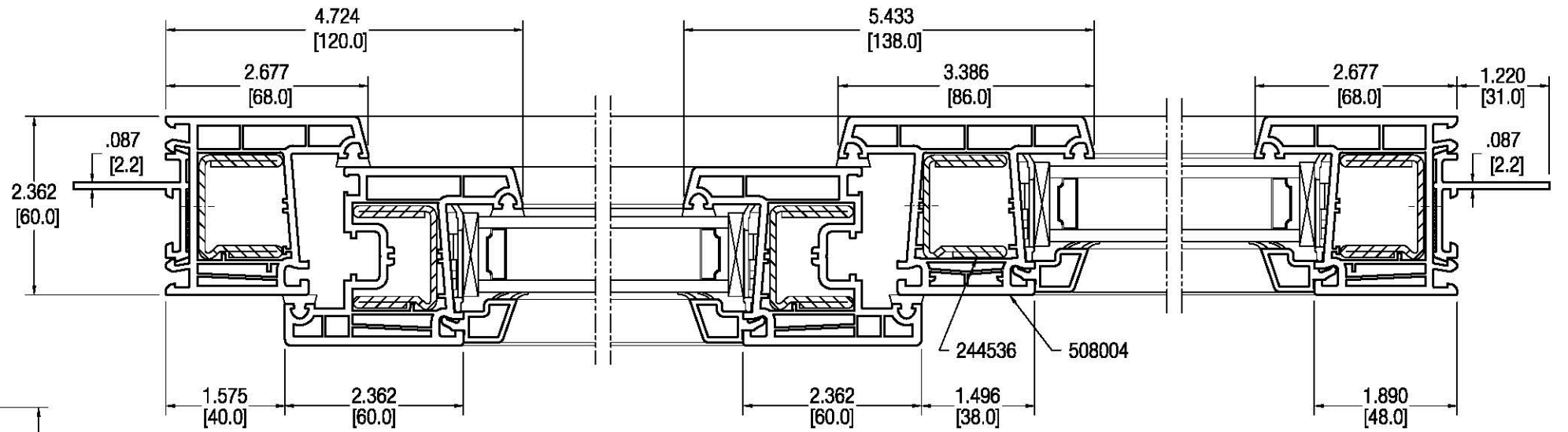
System: 4500 Series  
 Title: Tilt-Slider with EU Frame and Sash Z60  
 Date: 06/29/2016 Scale: Drawn by: FHS  
 Drawing No.: 2002-16-074 Rev.:  
 © 2016 REHAU. Do not disclose without written permission



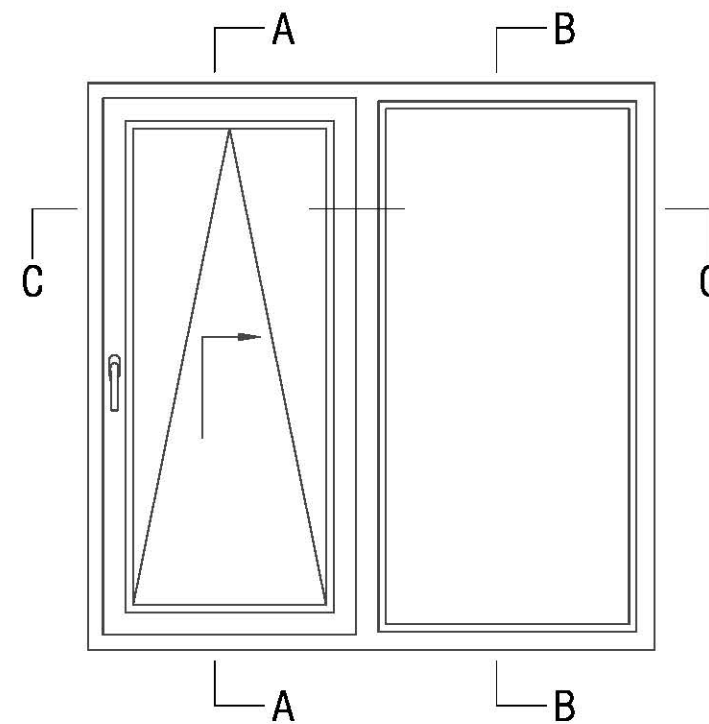
Section: A-A



Section: B-B



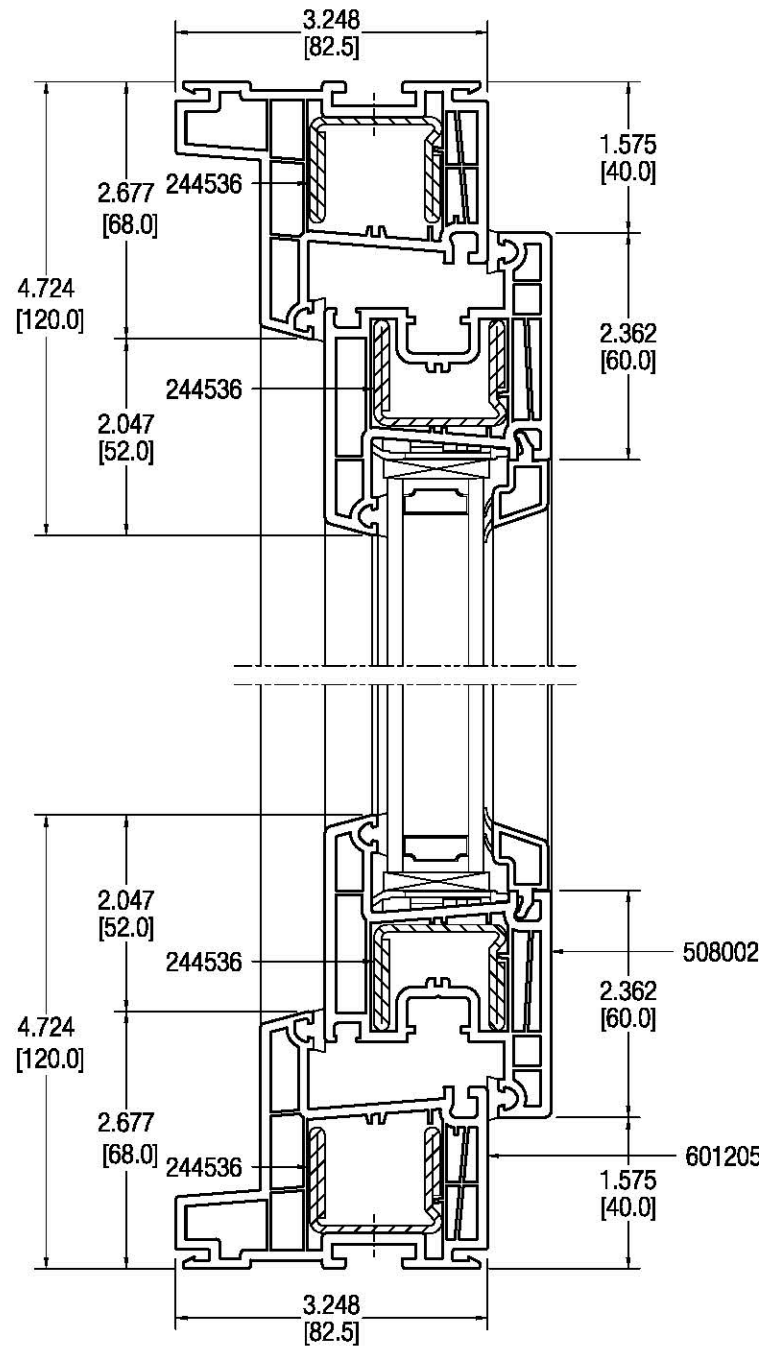
Section: C-C



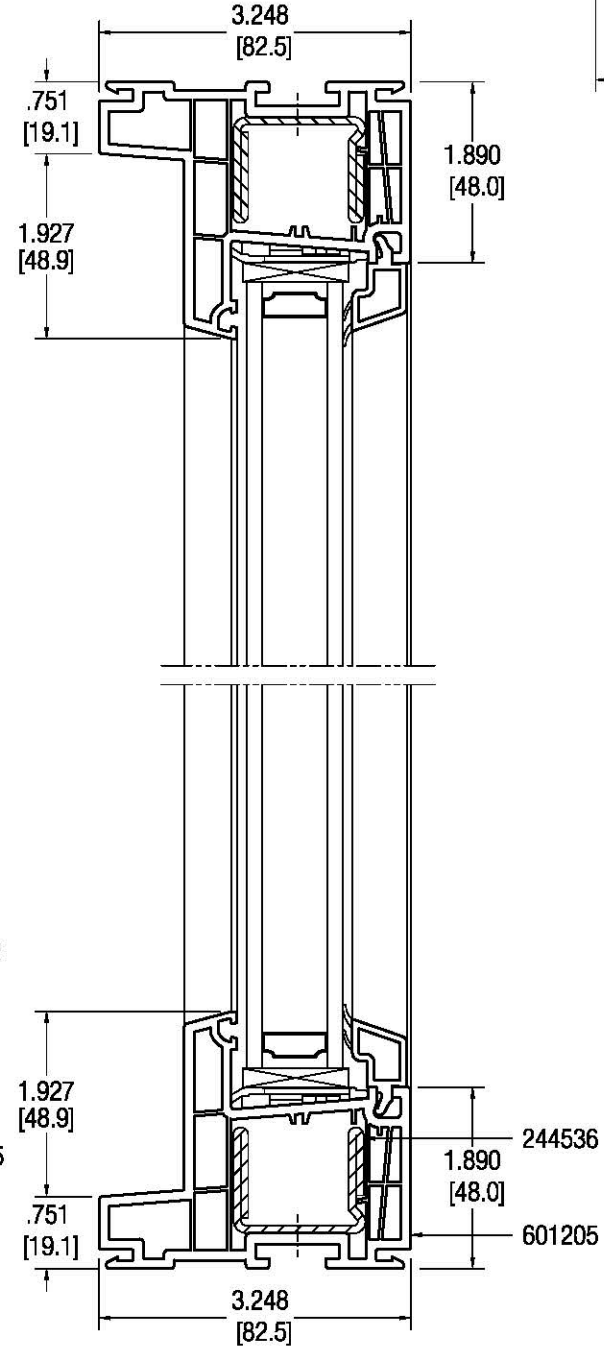
Rev #	Revision Description & Date



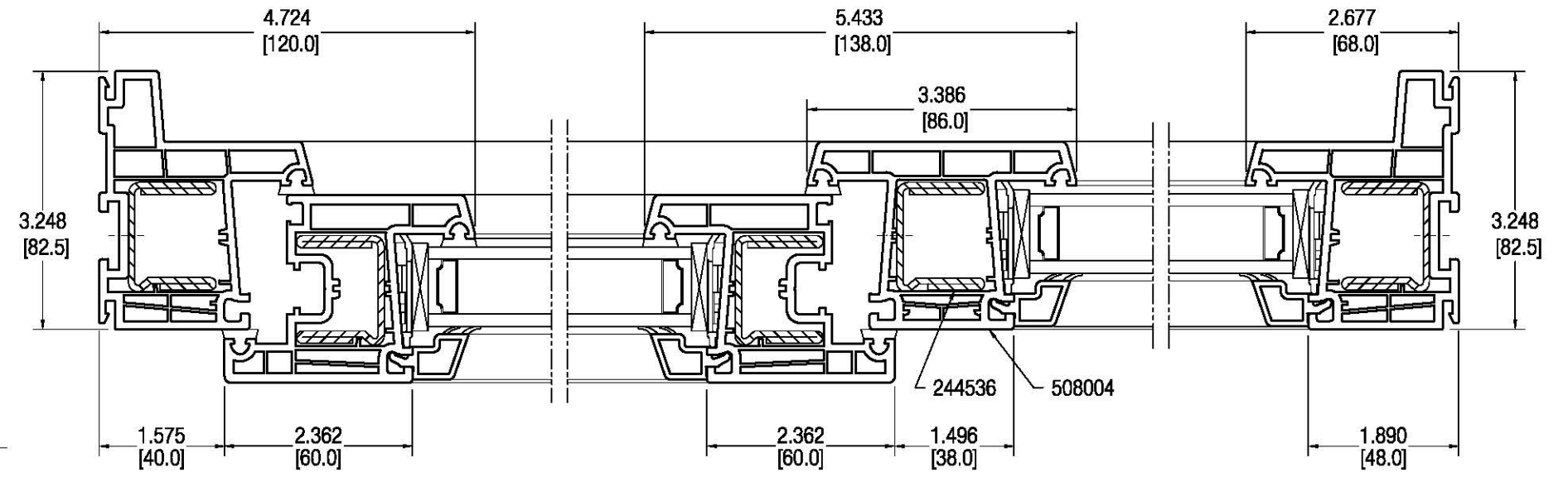
System: 4500 Series  
 Title: Tilt-Slider with EU Frame with Snap on Nail-Fin and Sash Z60  
 Date: 06/29/2016 Scale: Drawn by: FHS  
 Drawing No.: 2002-16-075 Rev.:  
 © 2016 REHAU. Do not disclose without written permission



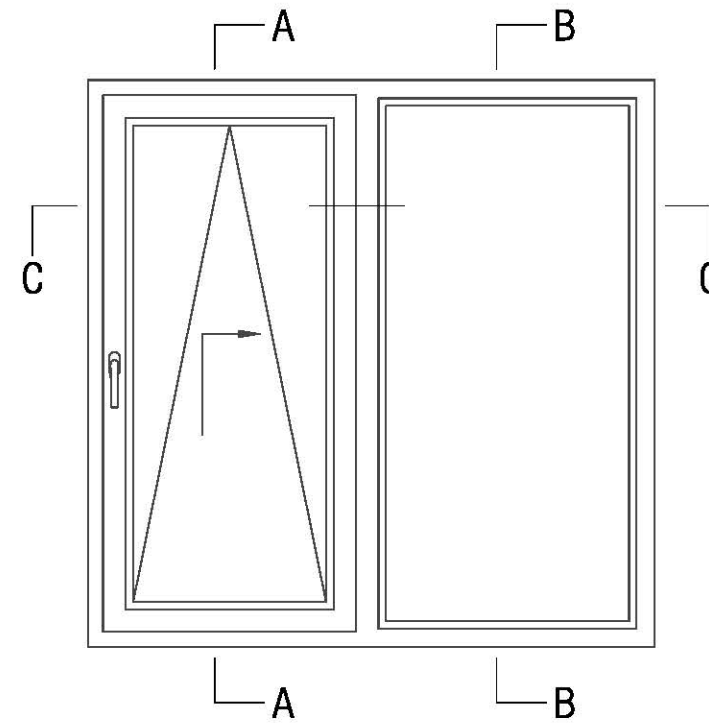
Section: A-A



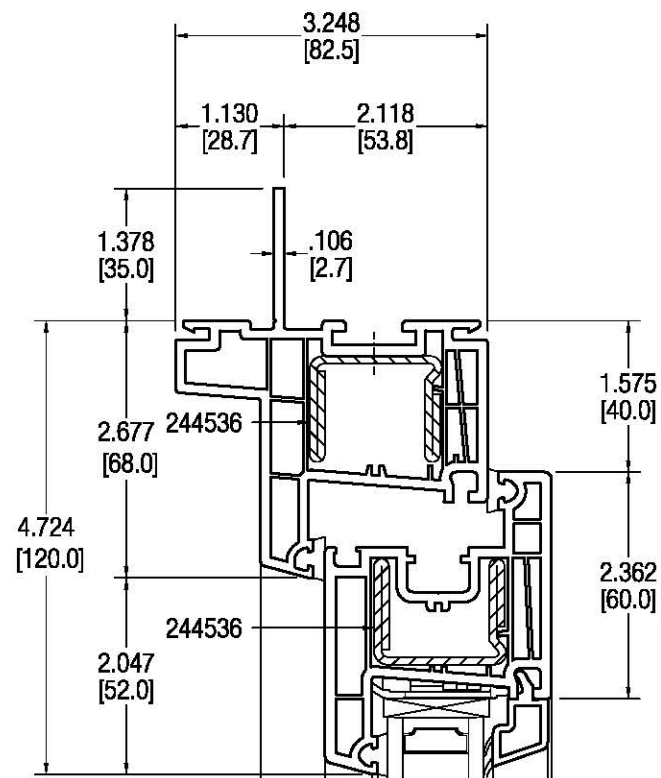
Section: B-B



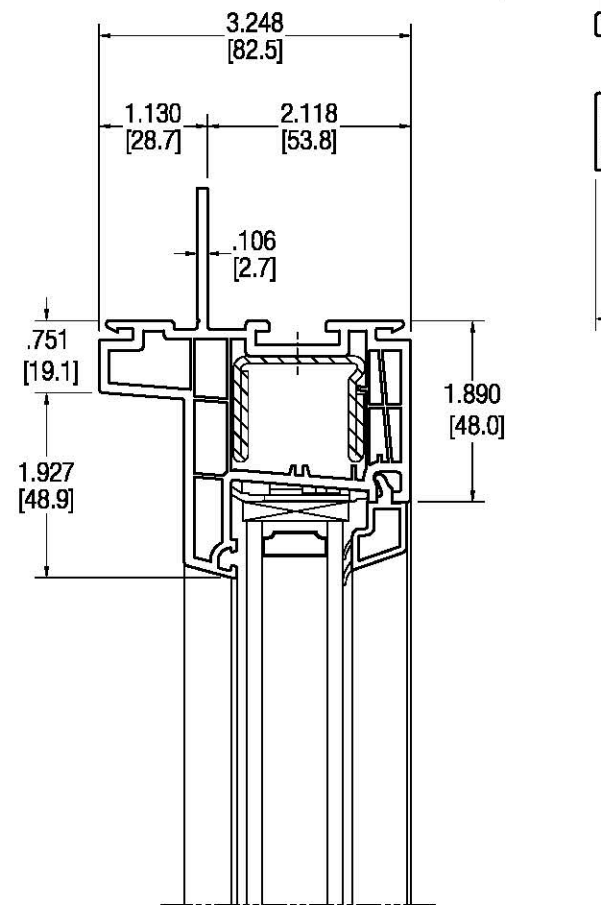
Section: C-C



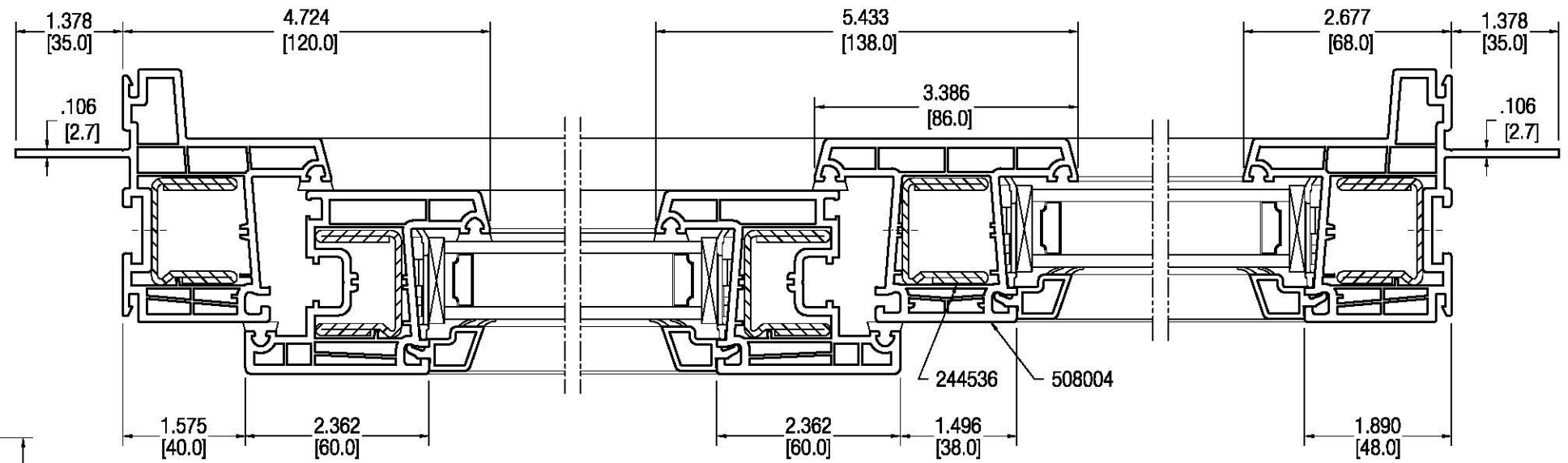
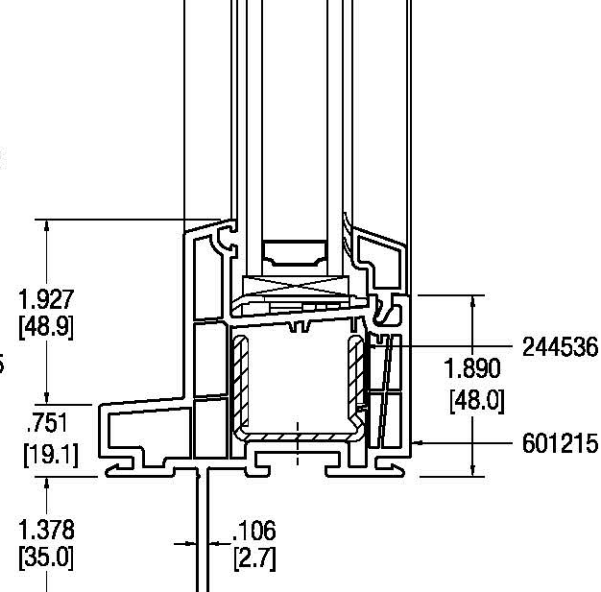
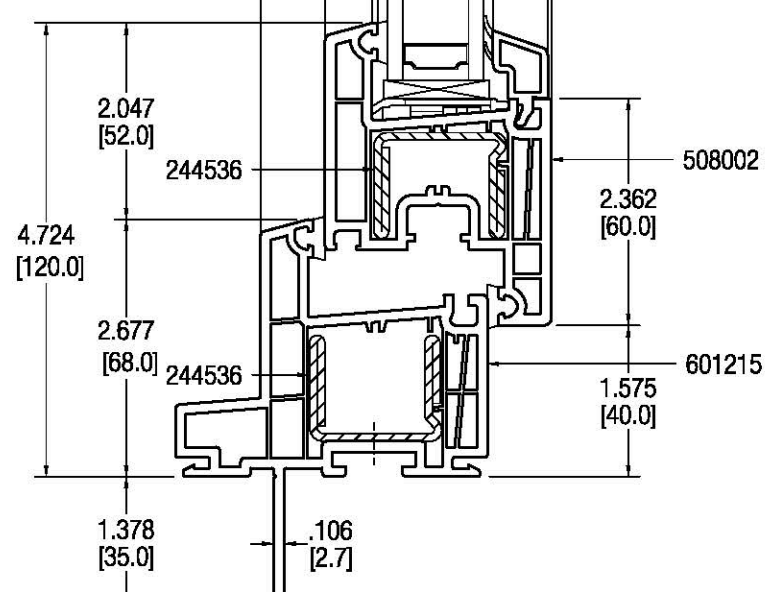
			System: 4500 Series	
			Title: Tilt-Slider with NA Frame and Sash Z60	
		Date: 06/29/2016	Scale:	Drawn by: FHS
		Drawing No.: 2002-16-076		Rev.:
		© 2016 REHAU. Do not disclose without written permission		
Rev #	Revision Description & Date			



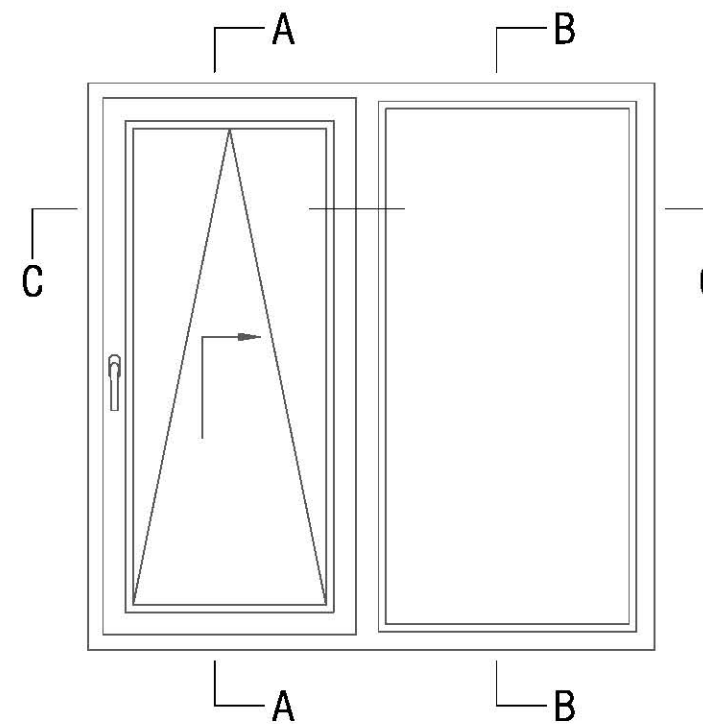
Section: A-A



Section: B-B



Section: C-C

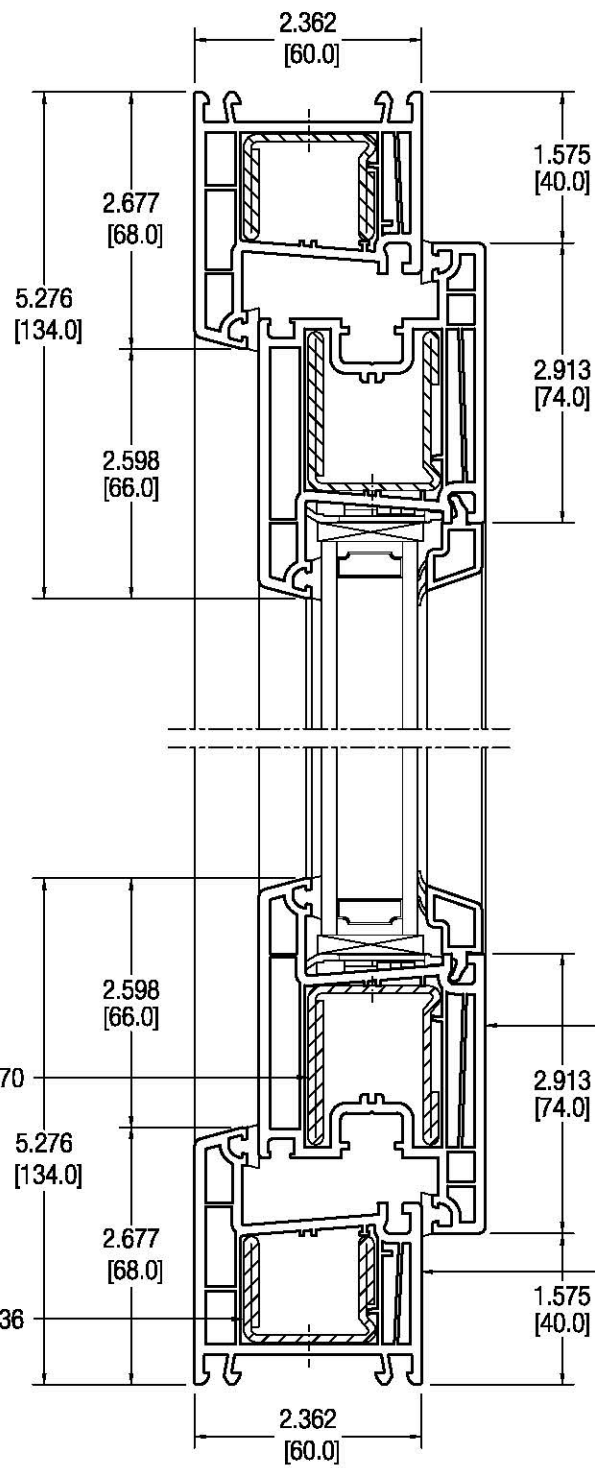


Rev #	Revision Description & Date

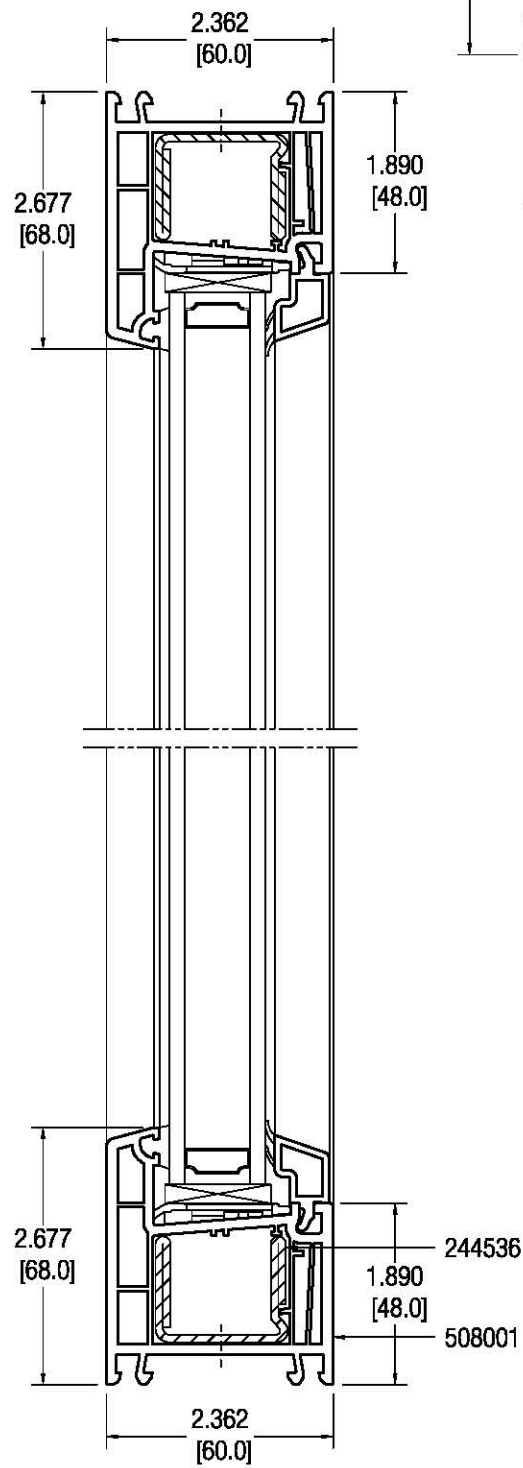
Before using the drawing, the user must determine suitability of the drawing for user's intended use and shall assume all risk and liability in connection therewith. REHAU DISCLAIMS ALL WARRANTIES, EXPRESS OR IMPLIED, INCLUDING BUT NOT LIMITED TO ANY IMPLIED WARRANTIES OF MERCHANTABILITY OR FITNESS FOR A PARTICULAR PURPOSE.



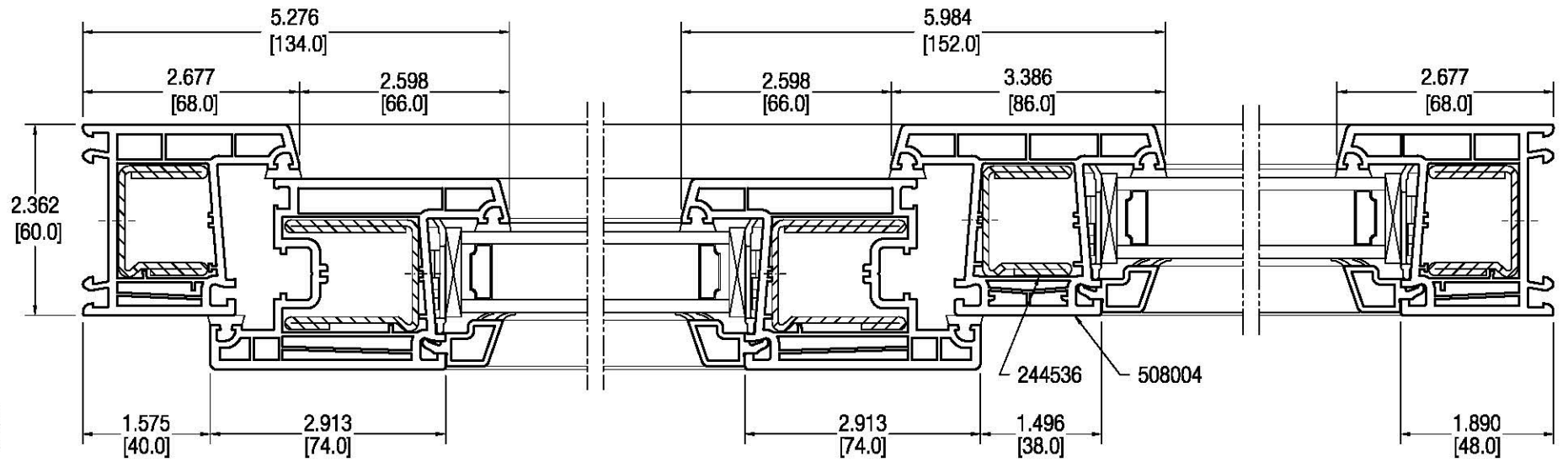
System: 4500 SERIES  
 Title: Tilt-Slider with NA Frame with Fin and Sash Z60  
 Date: 06/29/2016 Scale: Drawn by: FHS  
 Drawing No.: 2002-16-077 SN: Rev.:  
 © 2018 REHAU. Do not disclose without written permission



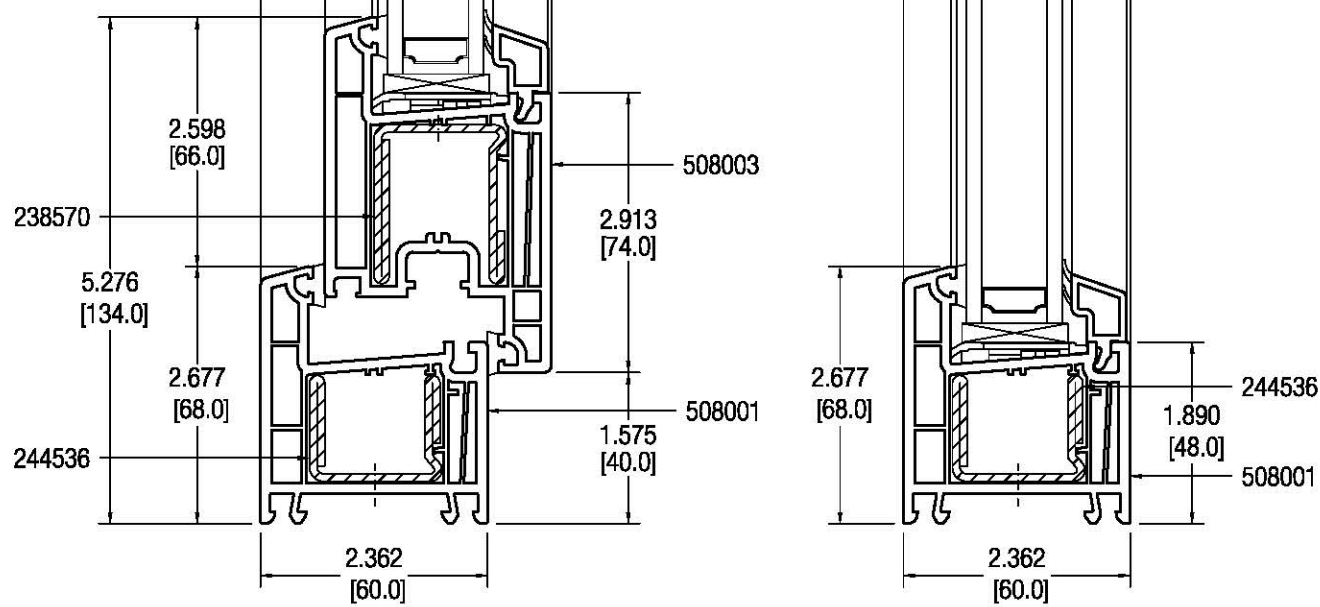
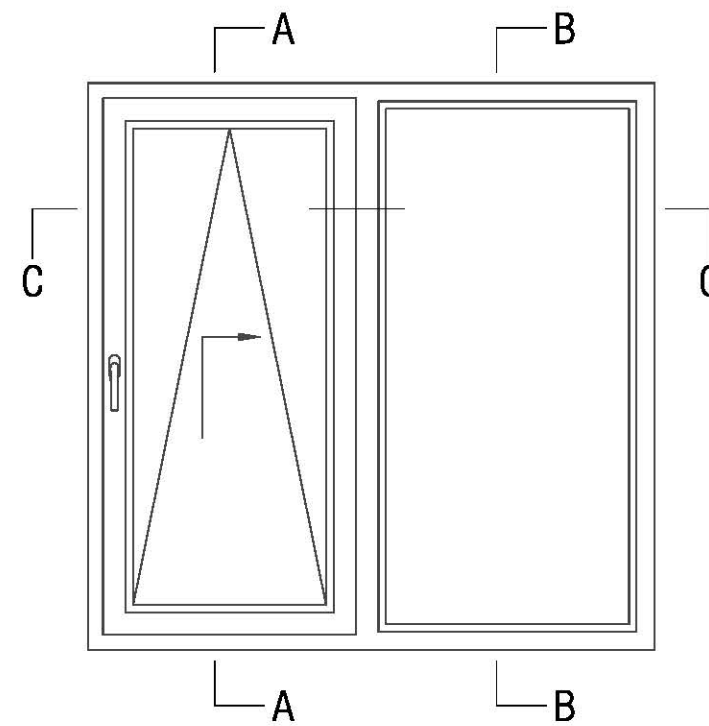
Section: A-A



Section: B-B



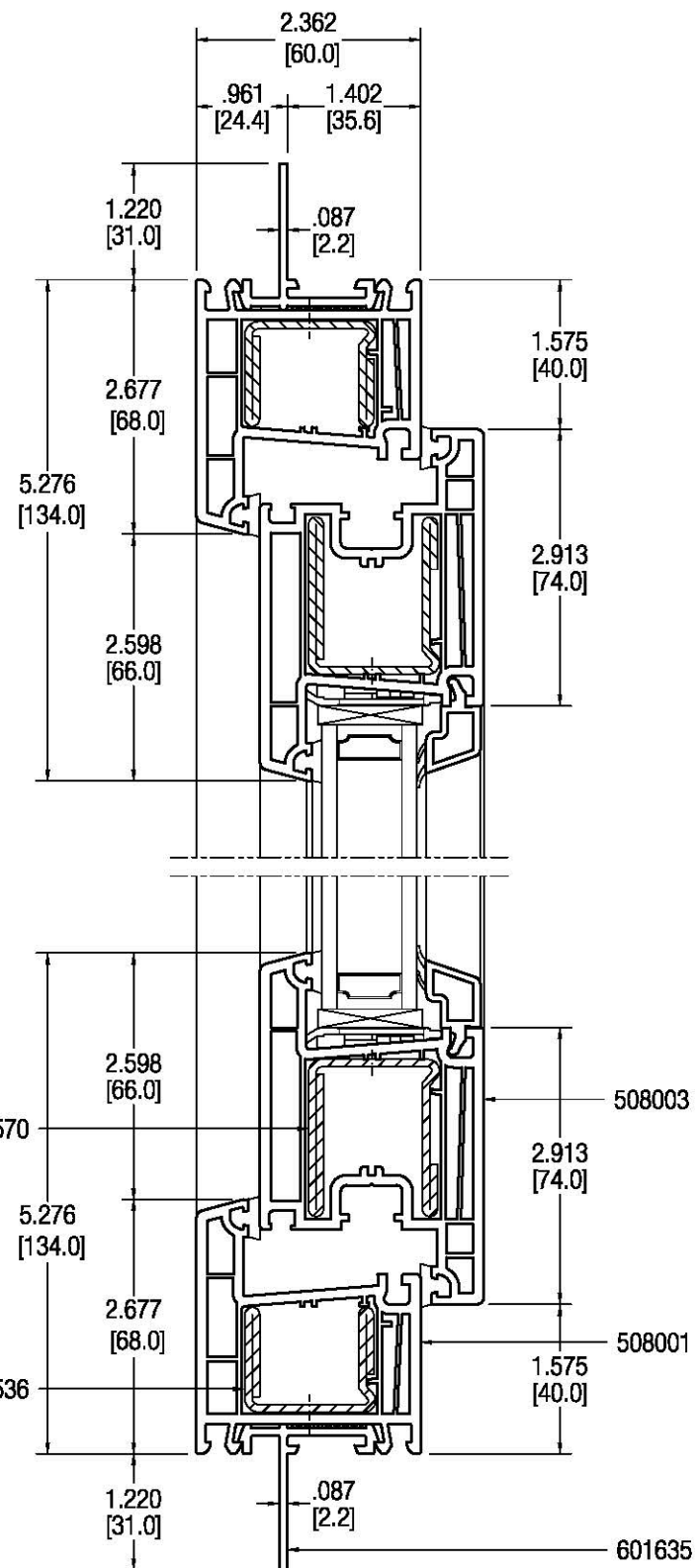
Section: C-C



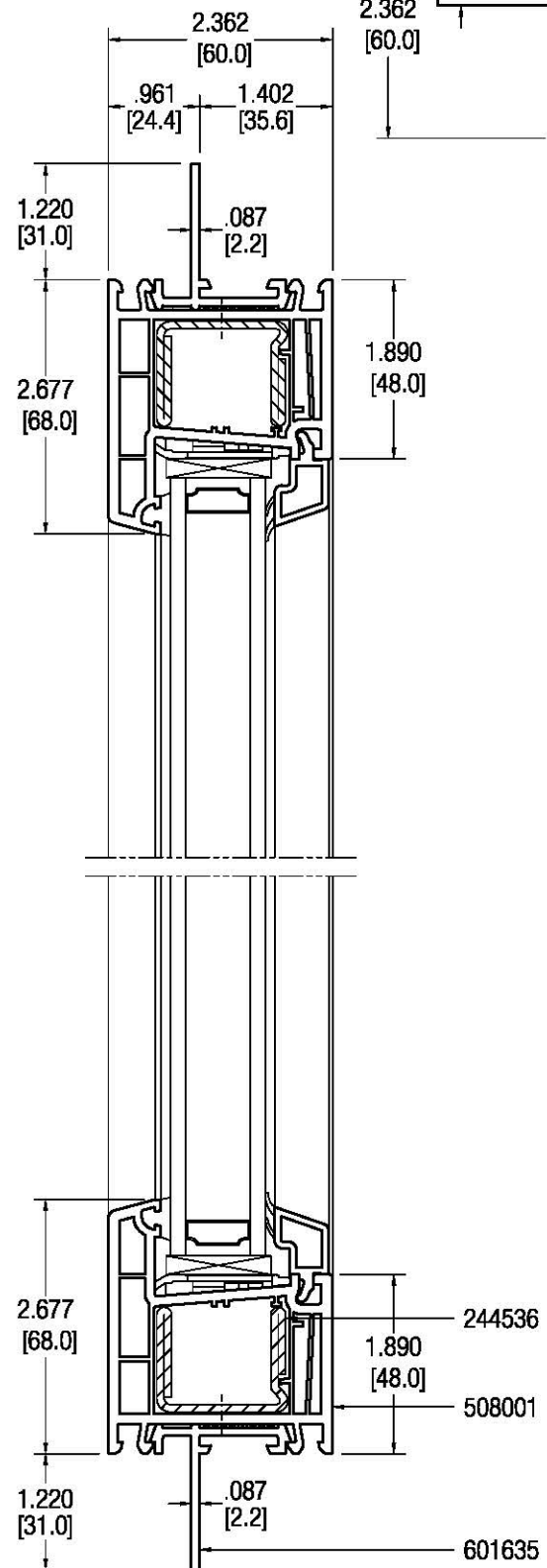
Rev #	Revision Description & Date



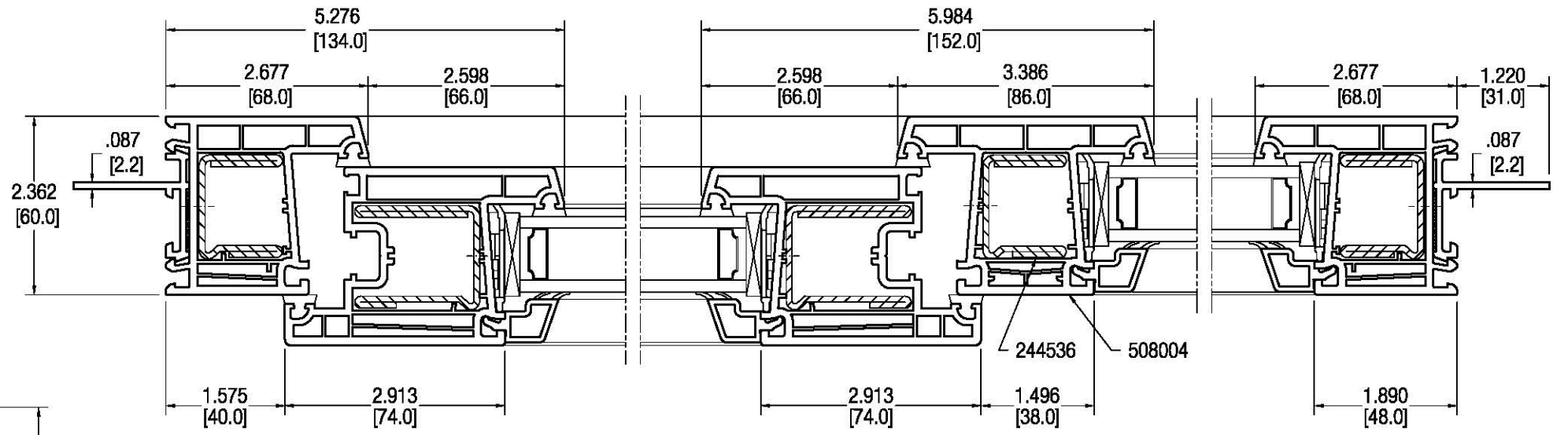
System: 4500 Series  
 Title: Tilt-Slider with EU Frame and Sash Z74  
 Date: 06/29/2016 Scale: Drawn by: FHS  
 Drawing No.: 2002-16-078 Rev.:  
 © 2016 REHAU. Do not disclose without written permission



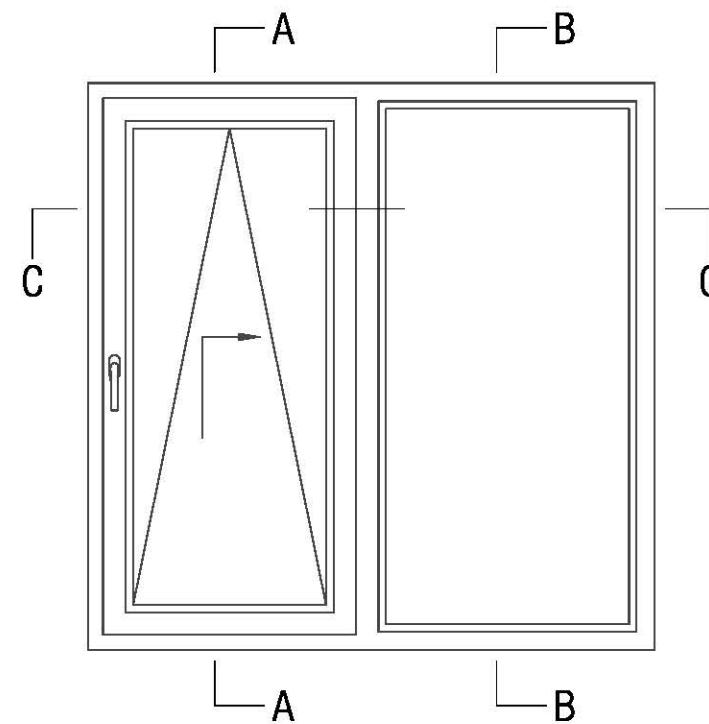
Section: A-A



Section: B-B



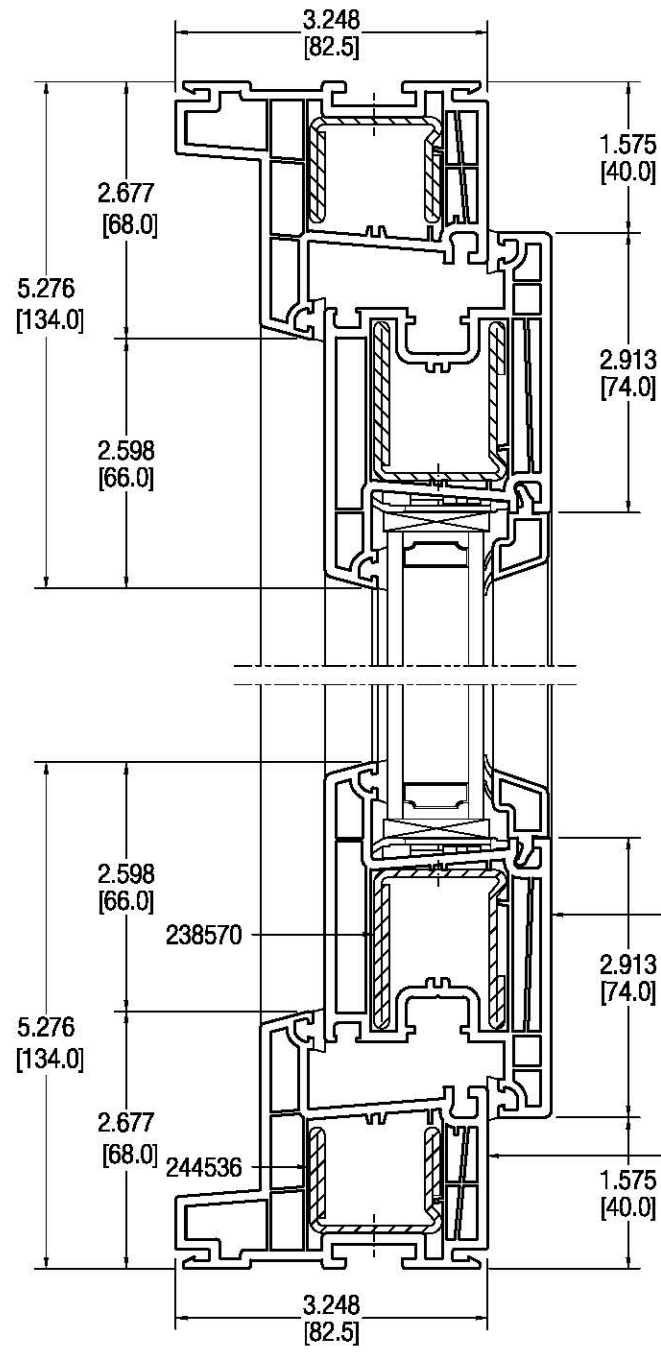
Section: C-C



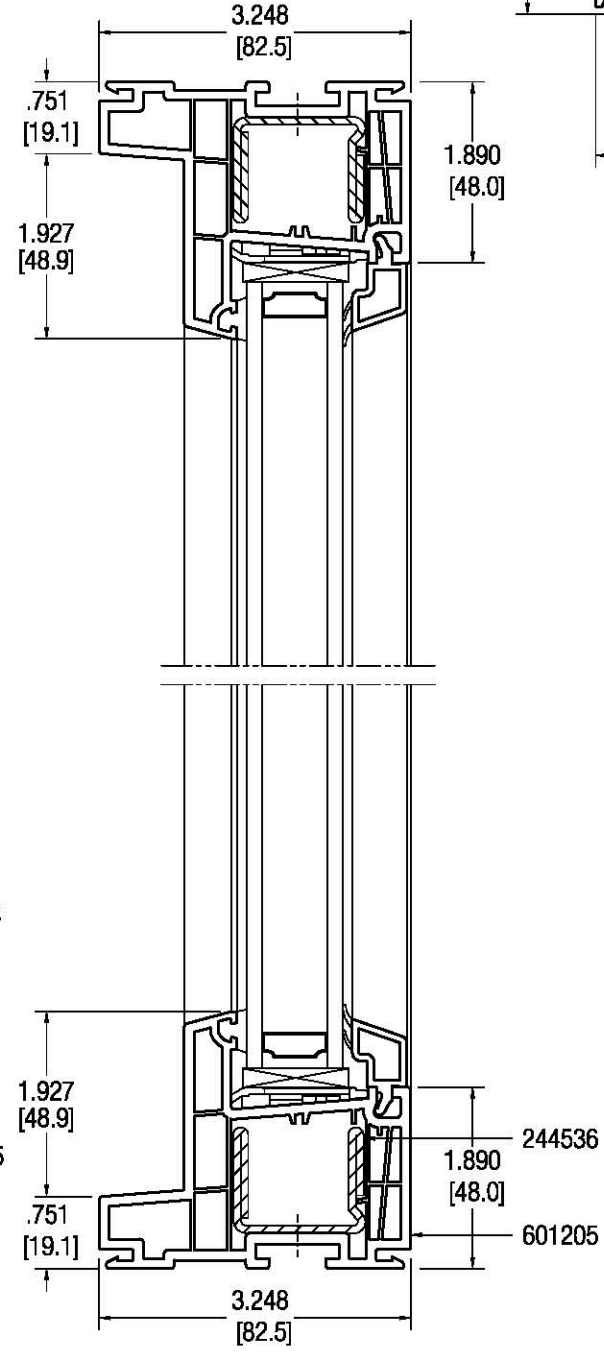
Rev #	Revision Description & Date



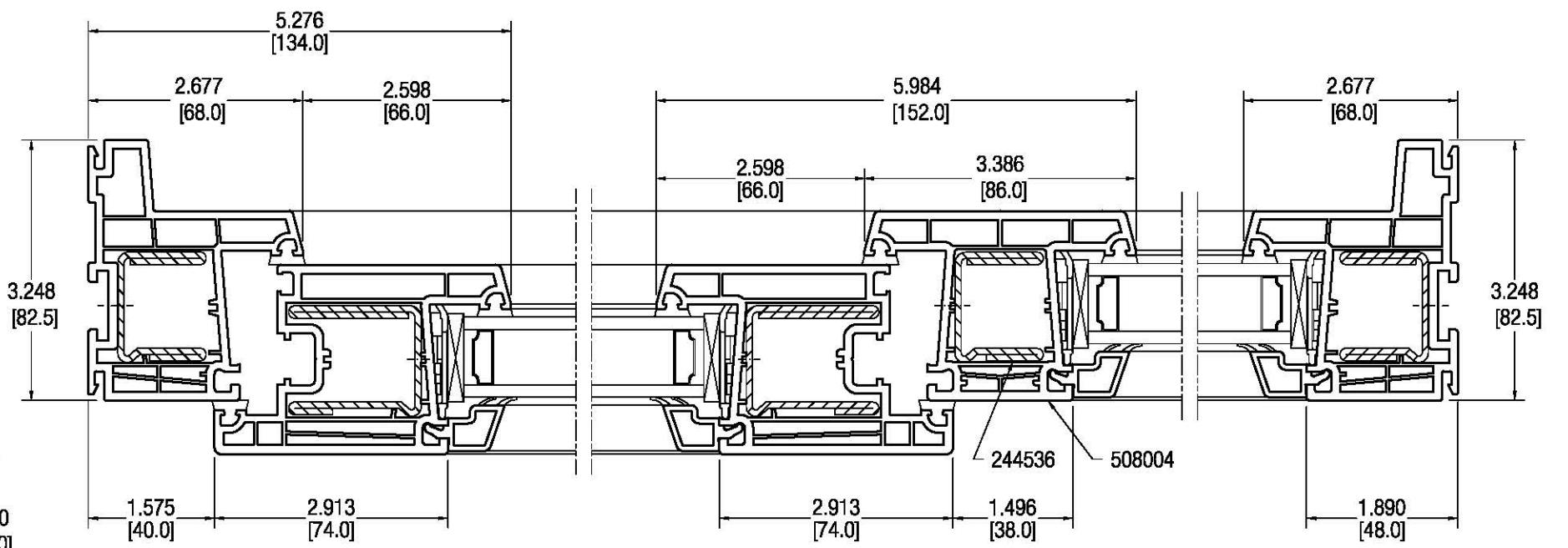
System: 4500 Series  
 Title: Tilt-Slider with EU Frame with Snap on Nail-Fin and Sash Z74  
 Date: 06/29/2016 Scale: Drawn by: FHS  
 Drawing No.: 2002-16-079 Rev.:  
 © 2016 REHAU. Do not disclose without written permission



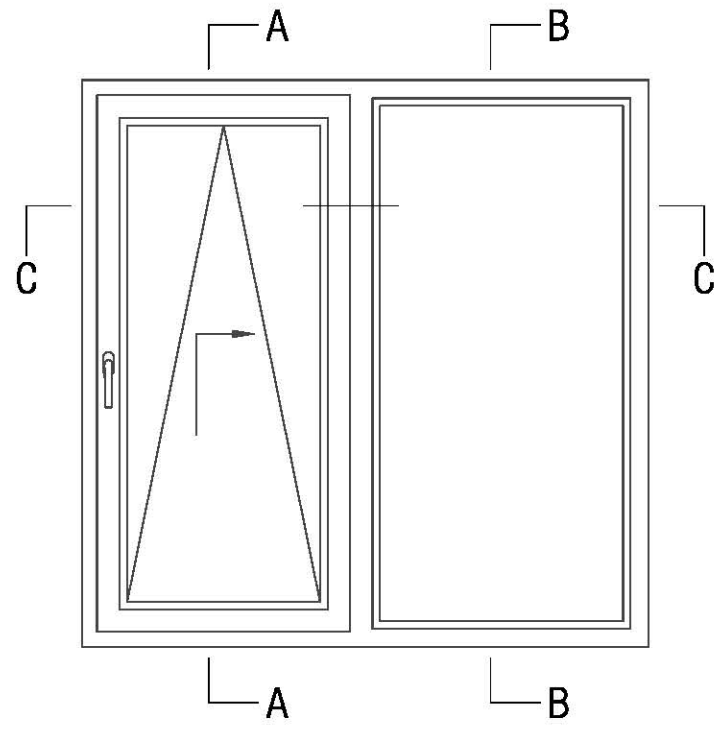
Section: A-A



Section: B-B



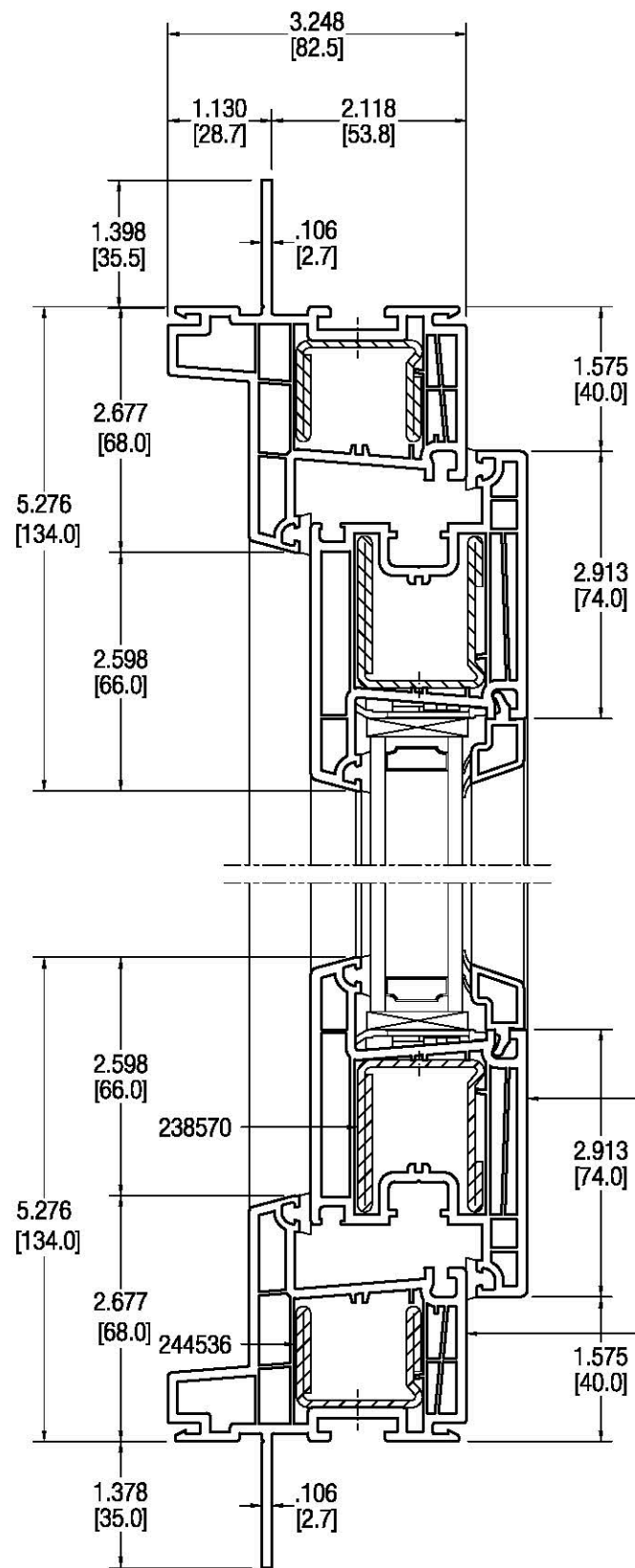
Section: C-C



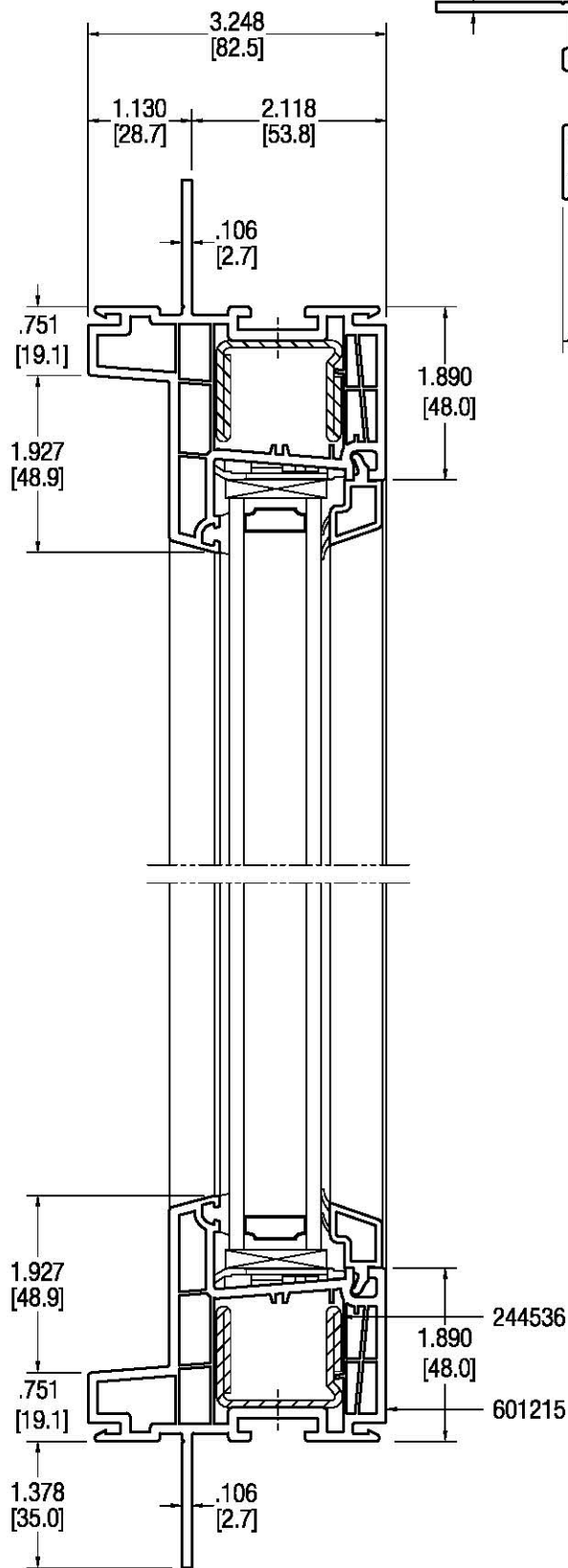
Rev #	Revision Description & Date



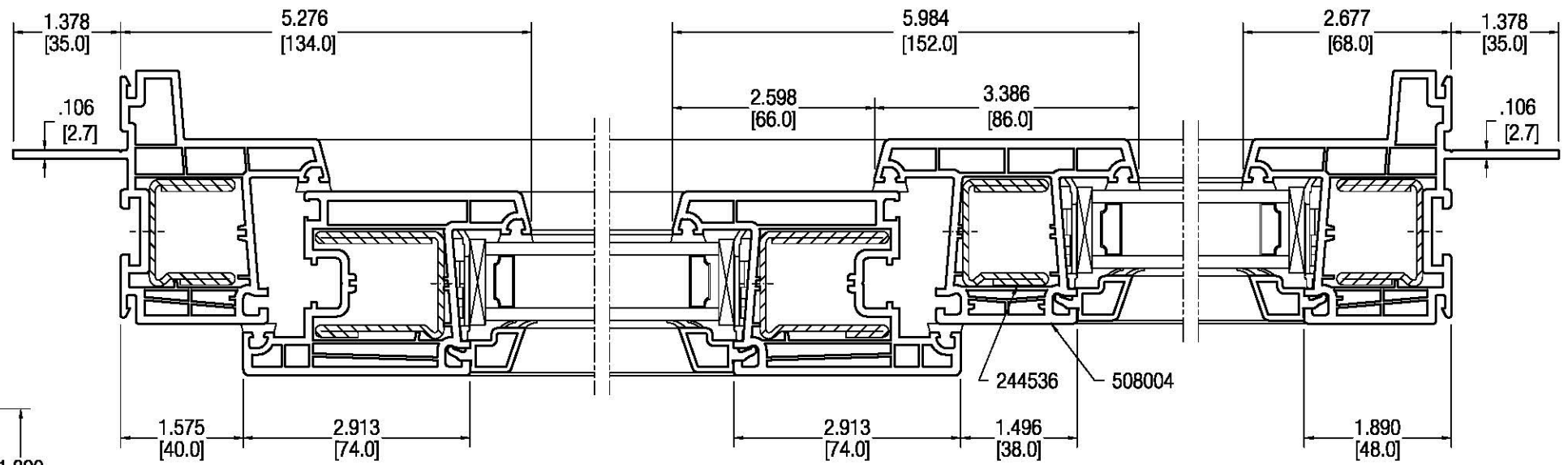
System: 4500 Series  
 Title: Tilt-Slider with NA Frame and Sash Z74  
 Date: 06/29/2016 Scale: Drawn by: FHS  
 Drawing No.: 2002-16-080 Rev.:  
 © 2016 REHAU. Do not disclose without written permission



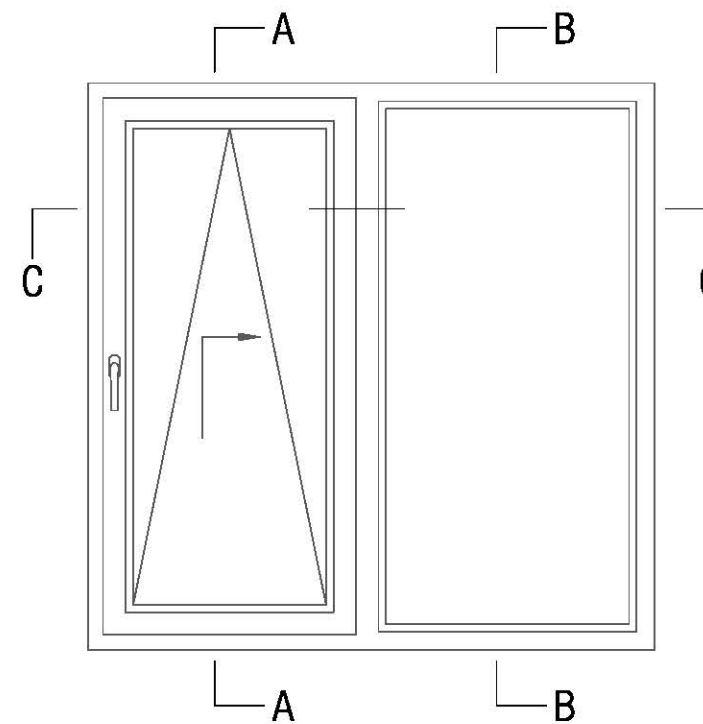
Section: A-A



Section: B-B



Section: C-C



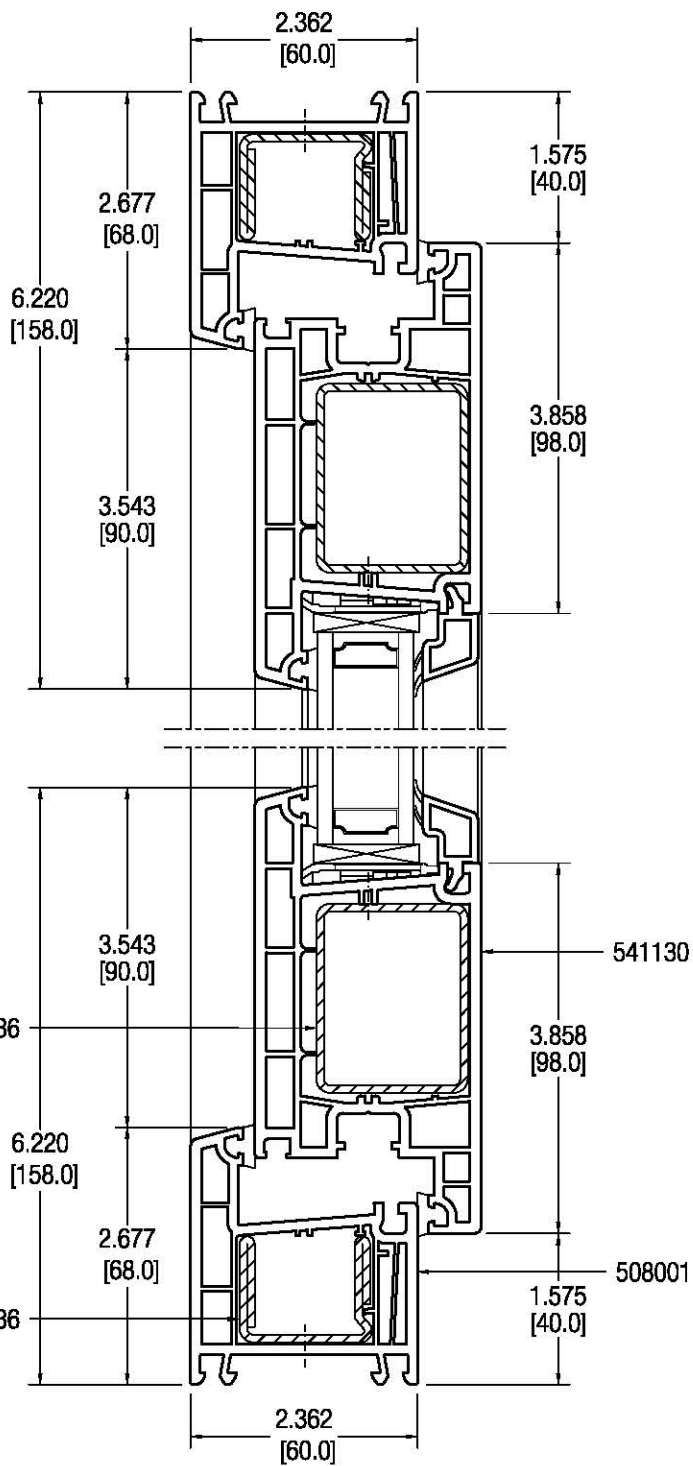
Rev #	Revision Description & Date

Before using the drawing, the user must determine suitability of the drawing for user's intended use and shall assume all risk and liability in connection therewith. REHAU DISCLAIMS ALL WARRANTIES, EXPRESS OR IMPLIED, INCLUDING BUT NOT LIMITED TO ANY IMPLIED WARRANTIES OF MERCHANTABILITY OR FITNESS FOR A PARTICULAR PURPOSE.

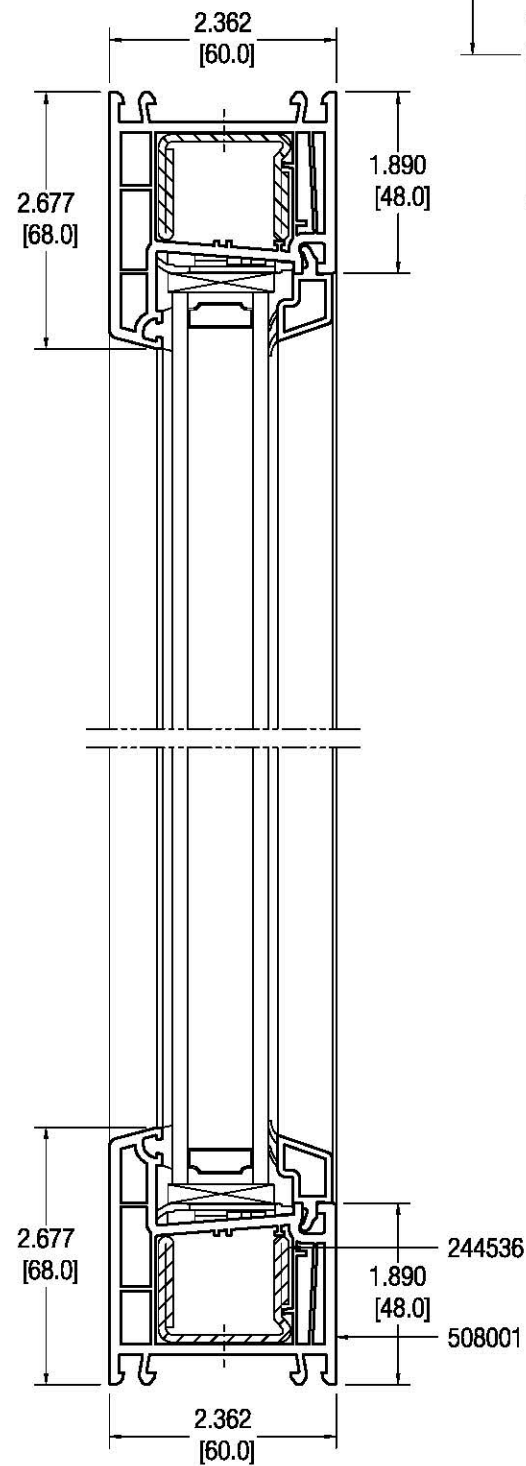


System: 4500 SERIES  
 Title: Tilt-Slider with NA Frame with Fin and Sash Z74  
 Date: 06/29/2016 Scale: Drawn by: FHS  
 Drawing No.: 2002-16-081 SN: Rev.:  
 © 2018 REHAU. Do not disclose without written permission

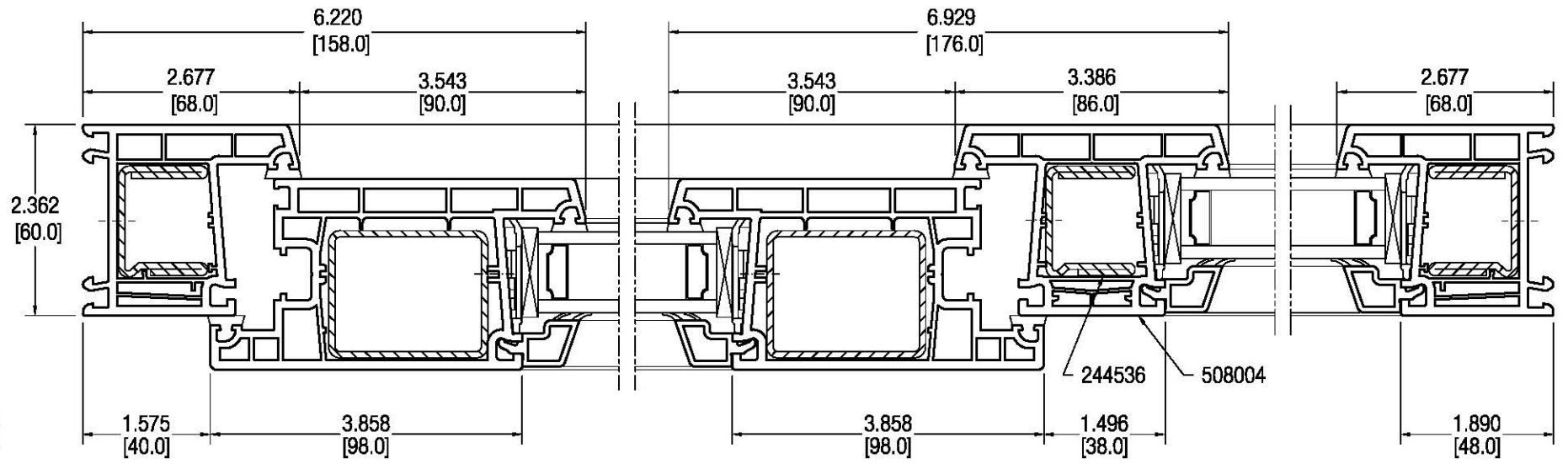




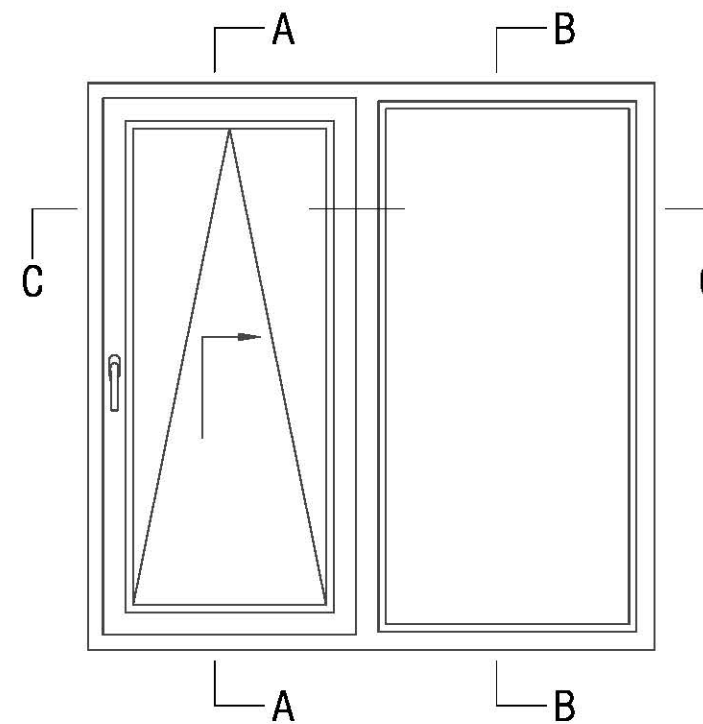
Section: A-A



Section: B-B



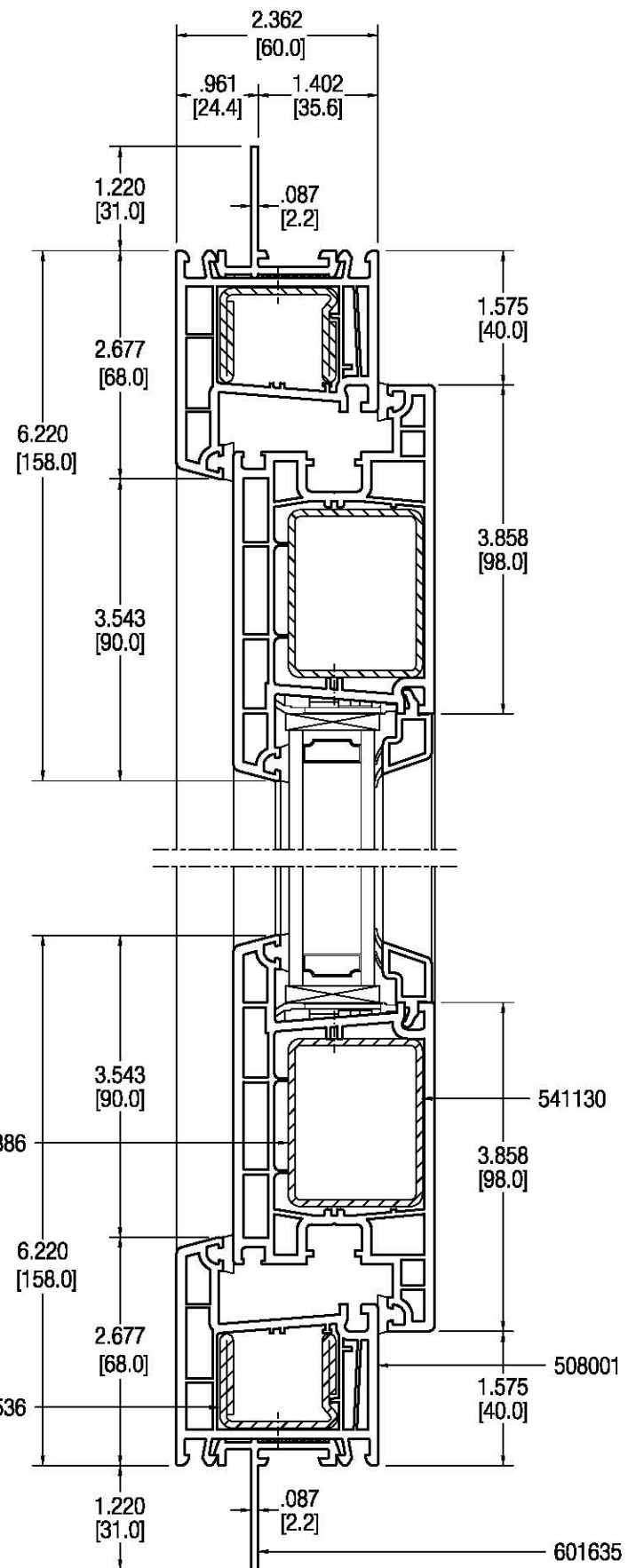
Section: C-C



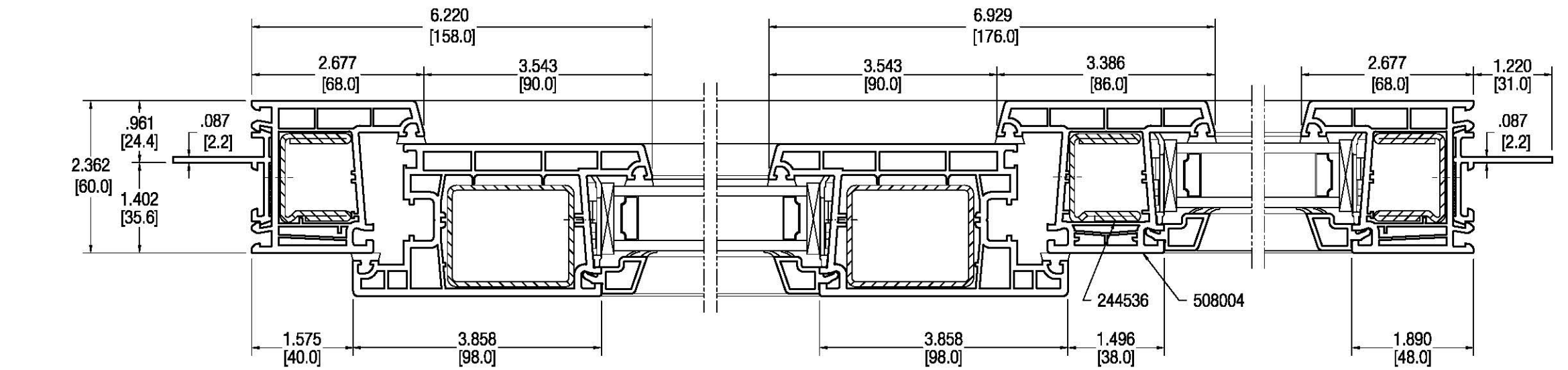
Rev #	Revision Description & Date



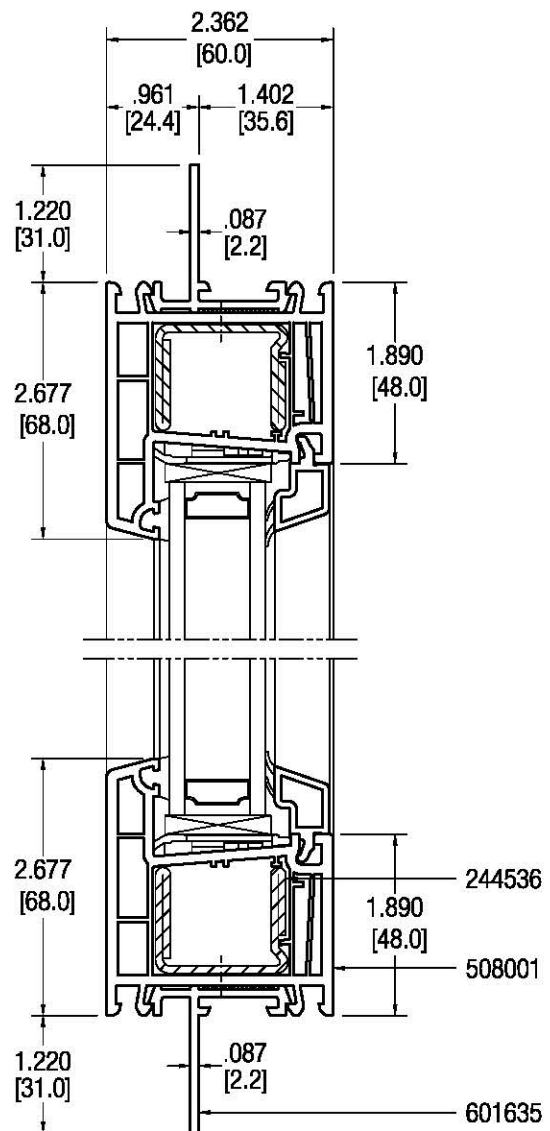
System: 4500 Series  
 Title: Tilt-Slider with EU Frame and Sash Z98  
 Date: 06/29/2016 Scale: Drawn by: FHS  
 Drawing No.: 2002-16-082 Rev.:  
 © 2016 REHAU. Do not disclose without written permission



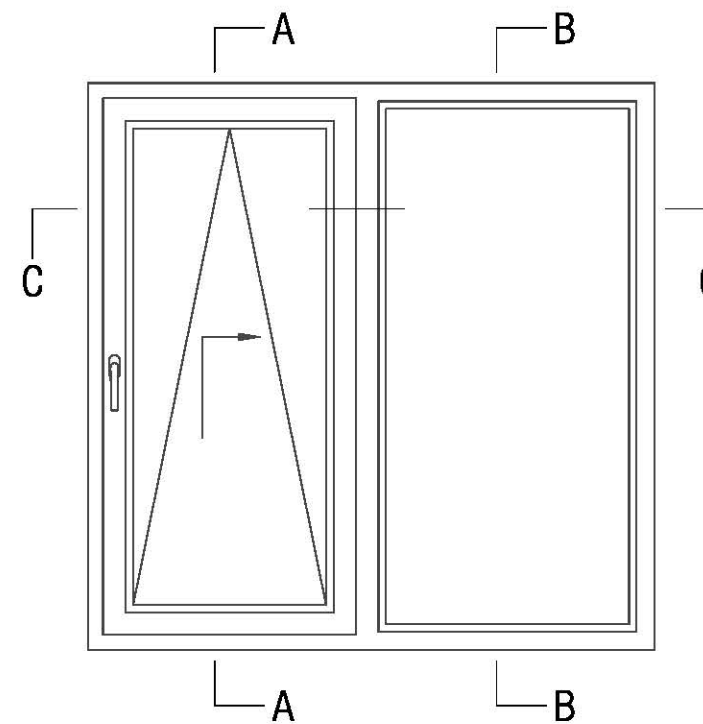
Section: A-A



Section: C-C



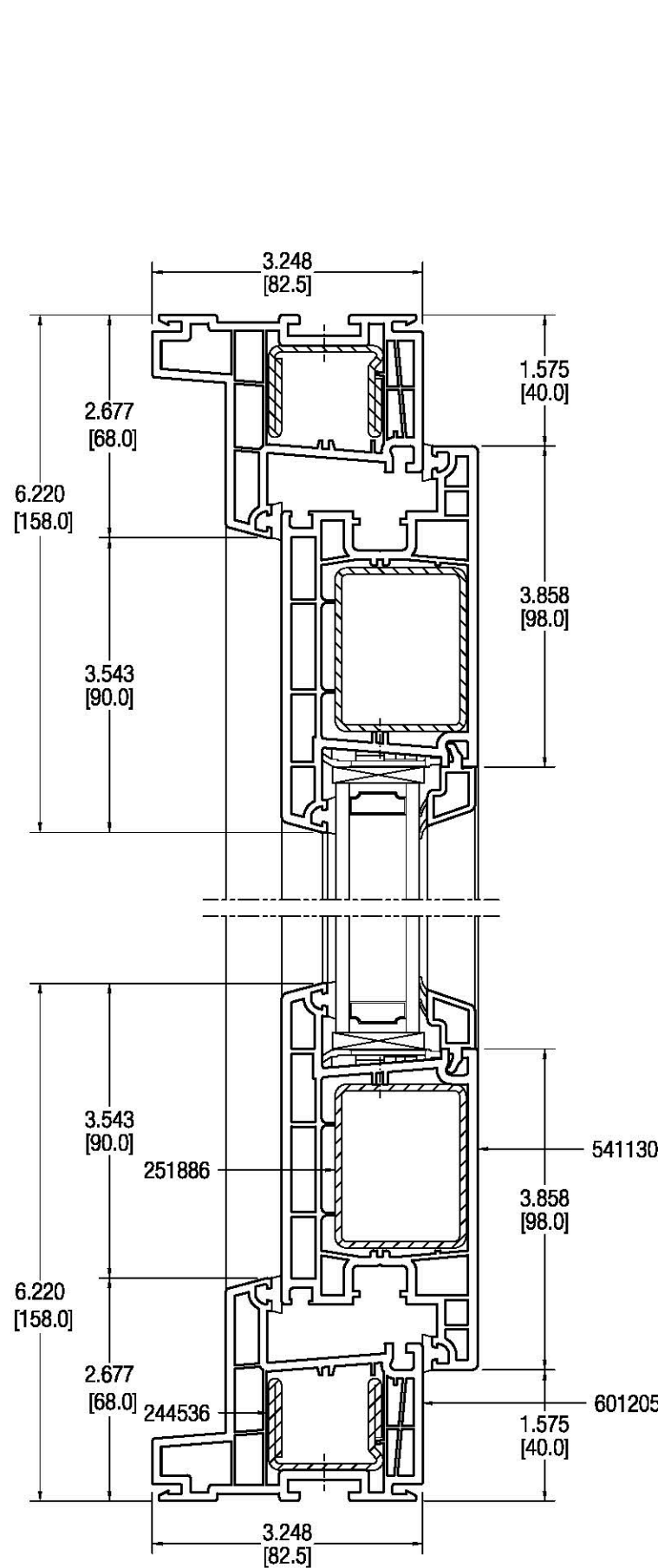
Section: B-B



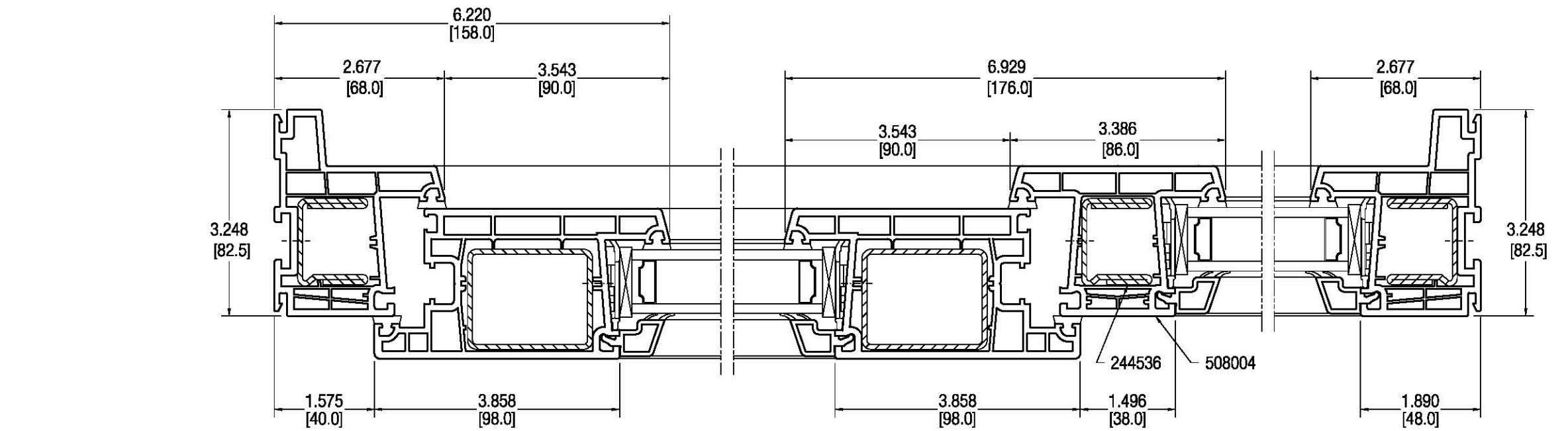
Rev #	Revision Description & Date



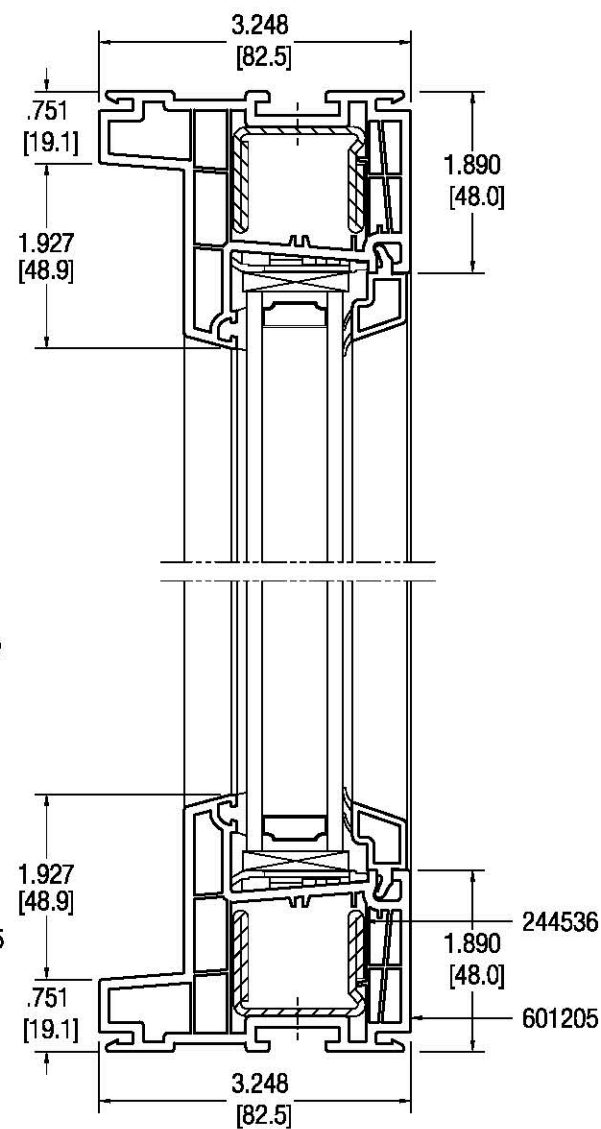
System: 4500 Series  
 Title: Tilt-Slider with EU Frame with Snap on Nail-Fin and Sash Z98  
 Date: 06/29/2016 Scale: Drawn by: FHS  
 Drawing No.: 2002-16-083 Rev.:  
 © 2016 REHAU. Do not disclose without written permission



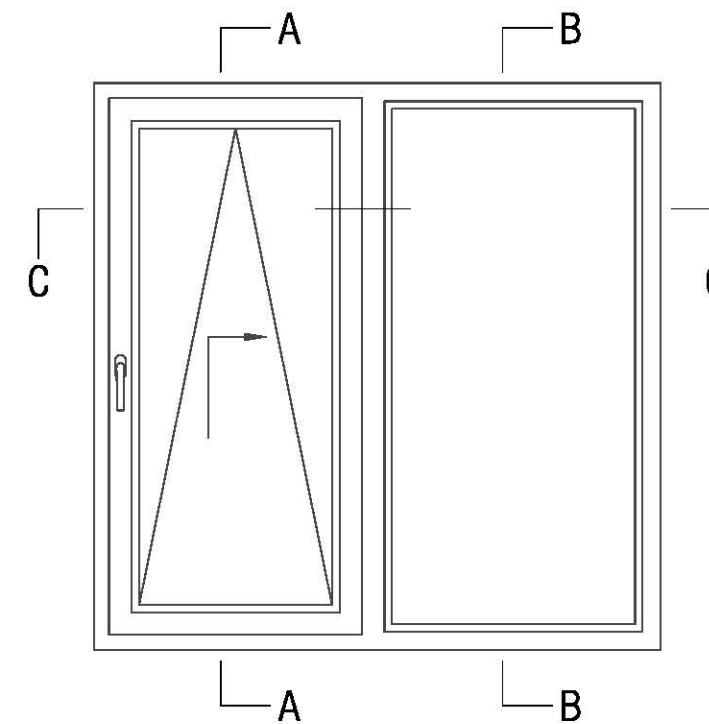
Section: A-A



Section: C-C



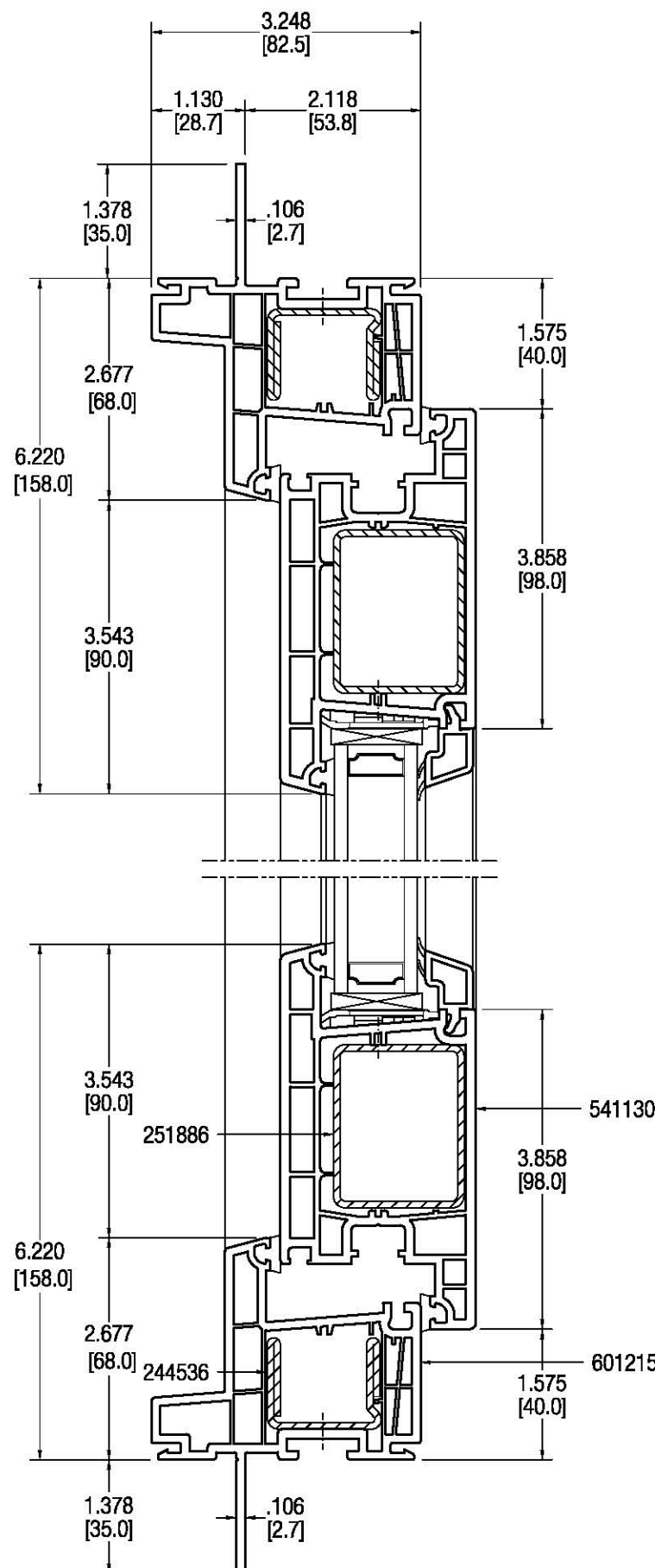
Section: B-B



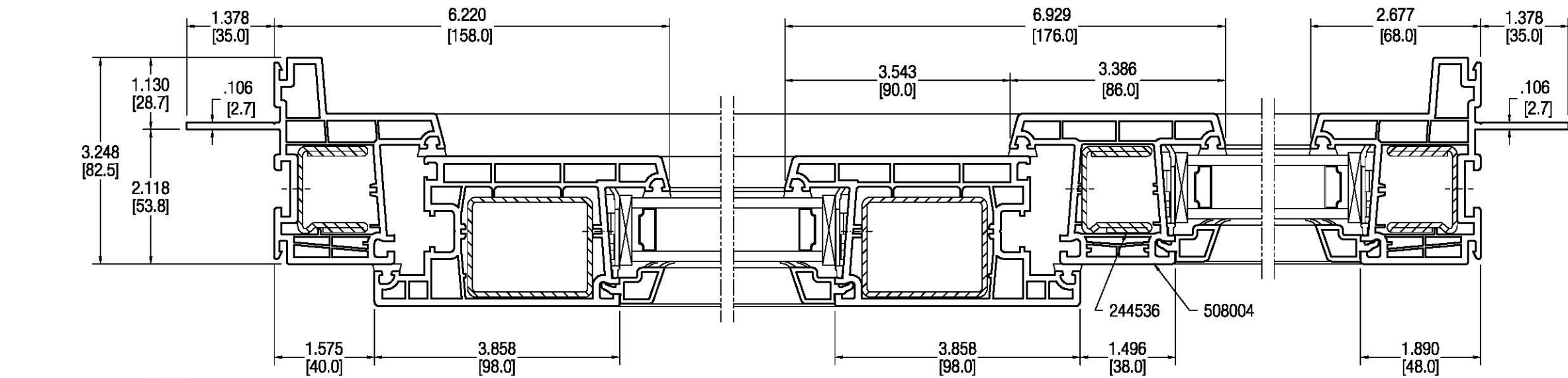
Rev #	Revision Description & Date



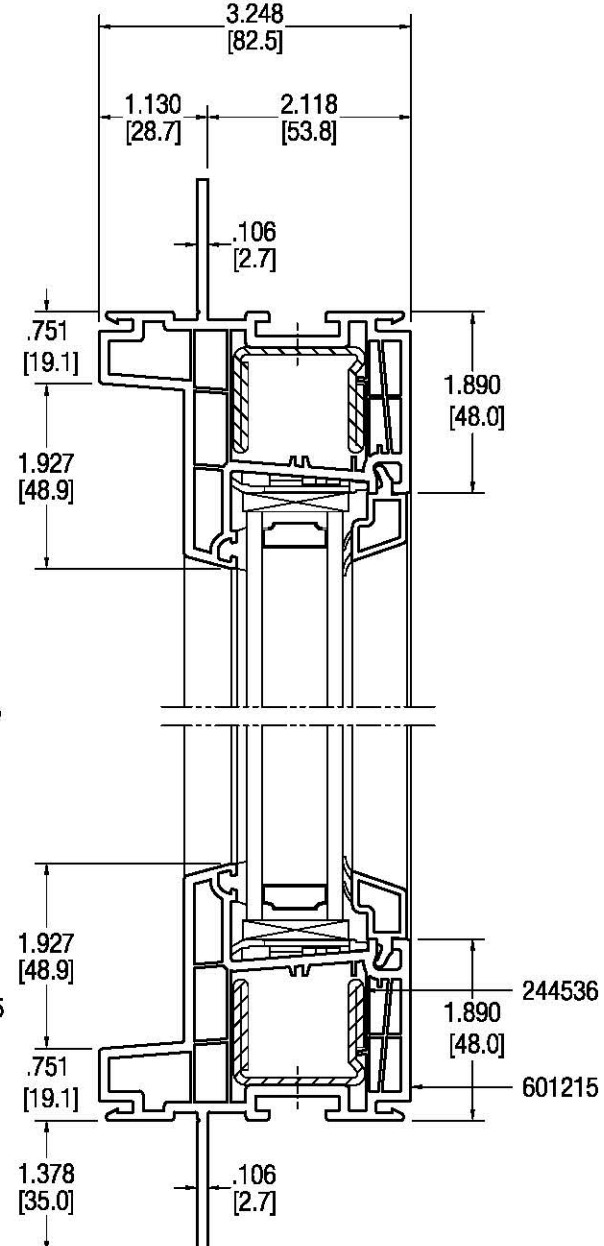
System: 4500 Series  
 Title: Tilt-Slider with NA Frame and Sash Z98  
 Date: 06/29/2016 Scale:      Drawn by: FHS  
 Drawing No.: 2002-16-084 Rev.:  
 © 2016 REHAU. Do not disclose without written permission



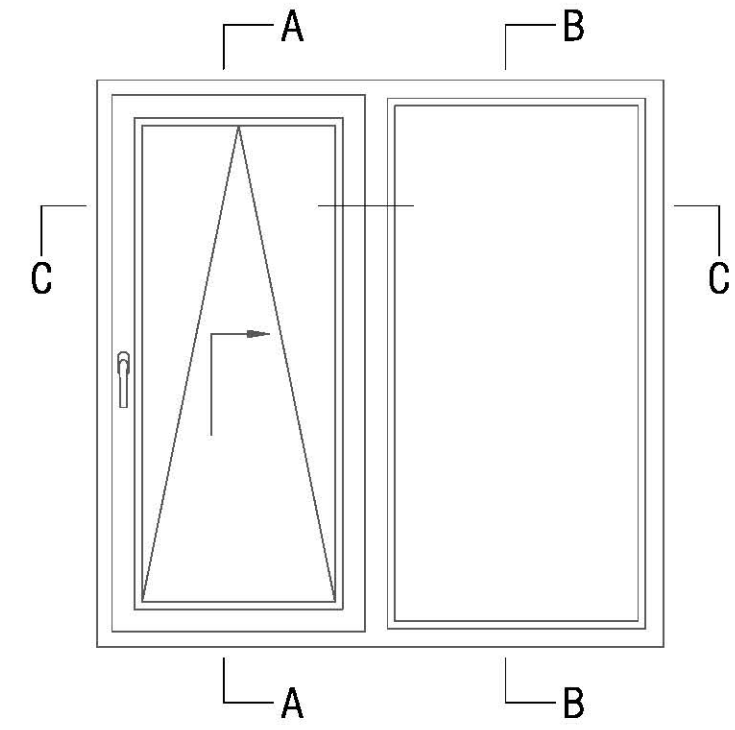
Section: A-A



Section: C-C



Section: B-B



Rev #	Revision Description & Date

Before using the drawing, the user must determine suitability of the drawing for user's intended use and shall assume all risk and liability in connection therewith. REHAU DISCLAIMS ALL WARRANTIES, EXPRESS OR IMPLIED, INCLUDING BUT NOT LIMITED TO ANY IMPLIED WARRANTIES OF MERCHANTABILITY OR FITNESS FOR A PARTICULAR PURPOSE.



System: 4500 SERIES  
 Title: Tilt-Slider with NA Frame with Fin and Sash Z98  
 Date: 06/29/2016 Scale: Drawn by: FHS  
 Drawing No.: 2002-16-085 SN: Rev.:  
 © 2018 REHAU. Do not disclose without written permission