

TABLE OF CONTENT

ANCHOR CLIP

- ANCHOR F CLIP 2
- SLIDE / SNAP ON ANCHOR CLIP 3

RECEPTOR & SUBSILL SYSTEM

- RECEPTOR 4
- SUBSILL 6
- SLIDE ON CLIP FOR RECEPTOR & SUBSILL 9

MULLION

- H MULLION & STACK MULLION 10
- 3PC MULLION 14
- STEP DOWN MULLION 17
- ANGLE MULLION 20

SNAP TRIM 21

EXTERIOR TRIM & COVER 27

EXTERIOR PANEL RECEPTOR 28

MULLION COVER 29

EXPANDER

- CAULK EXPANDER 30
- FIN EXPANDER 30
- HEAD EXPANDER & SILL ANGLE 31

APPLIED ON FLANGE 32

APPLIED ON NAILING FIN 33

SILL COVER 34

SLAB COVER 37

SHADOW BOX 40

GRIDS 42

PANNING

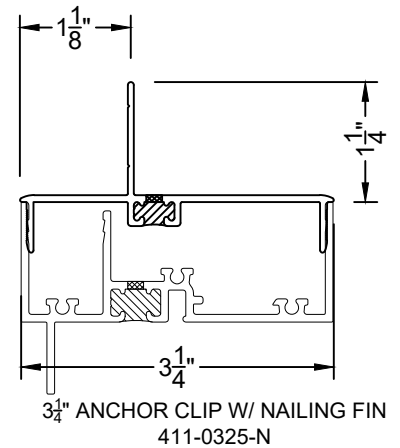
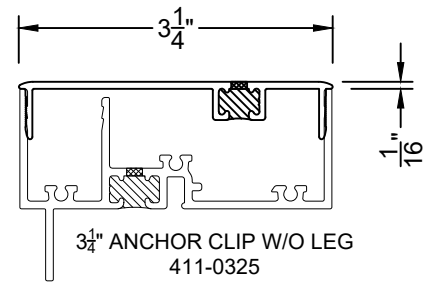
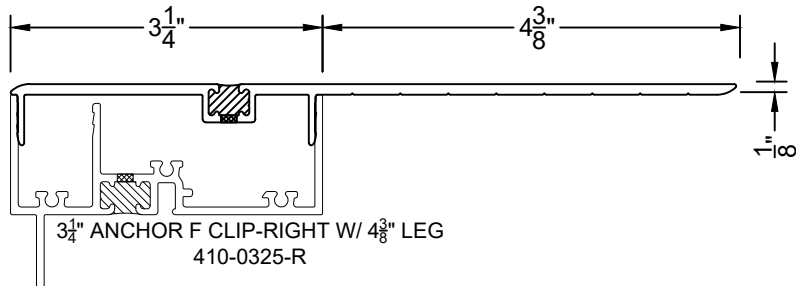
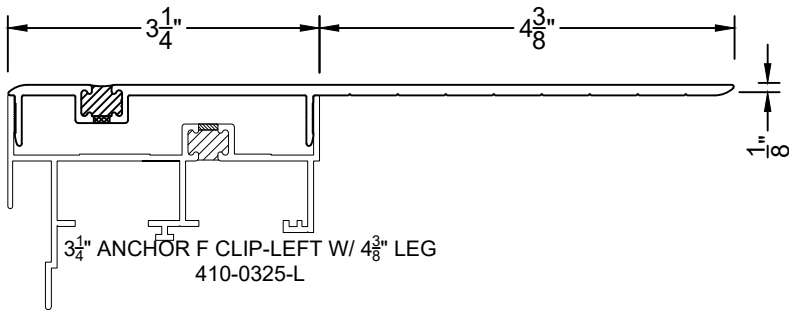
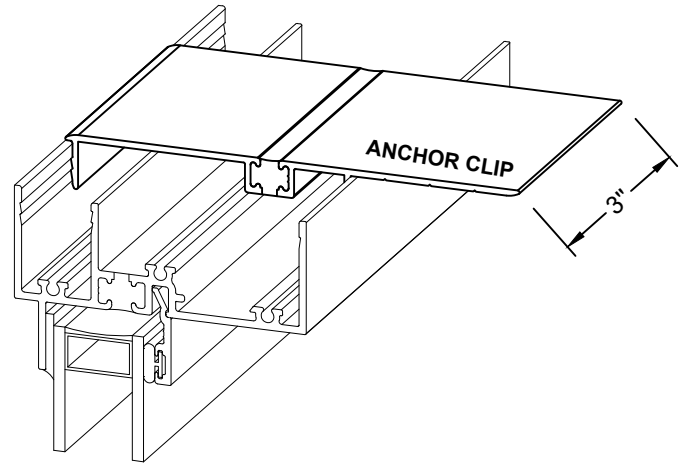
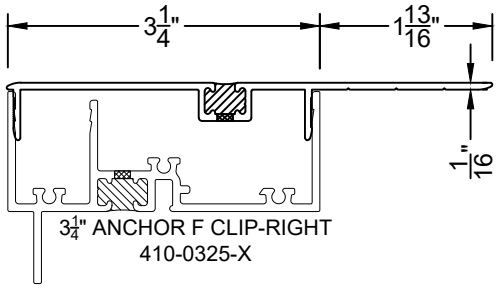
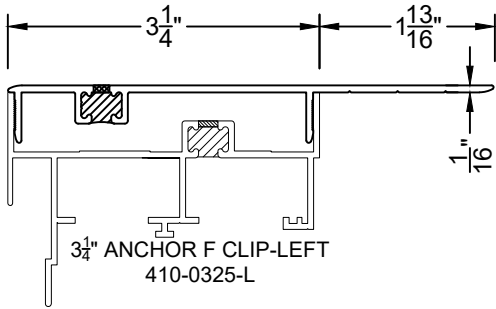
- WRAP AROUND PANNING 44
- PRESET PANNING 53

L ANGLE 63

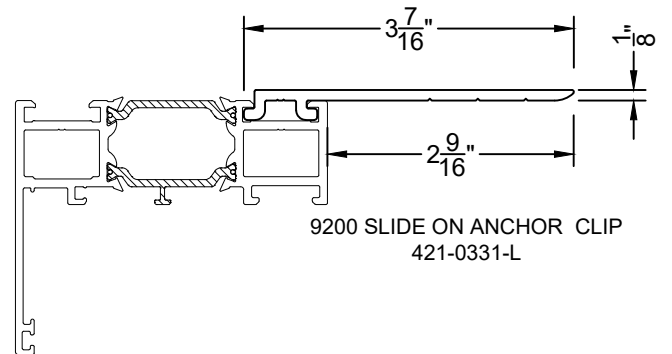
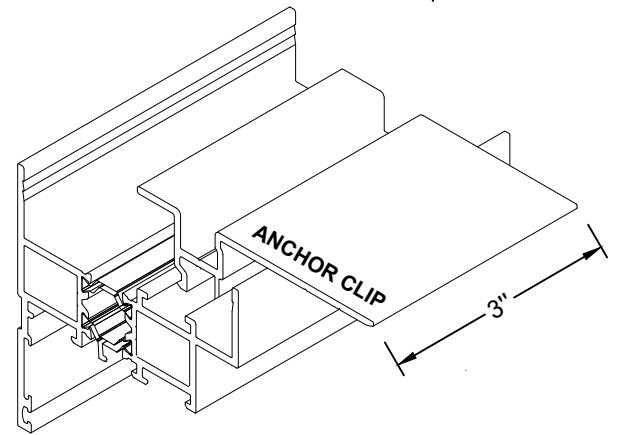
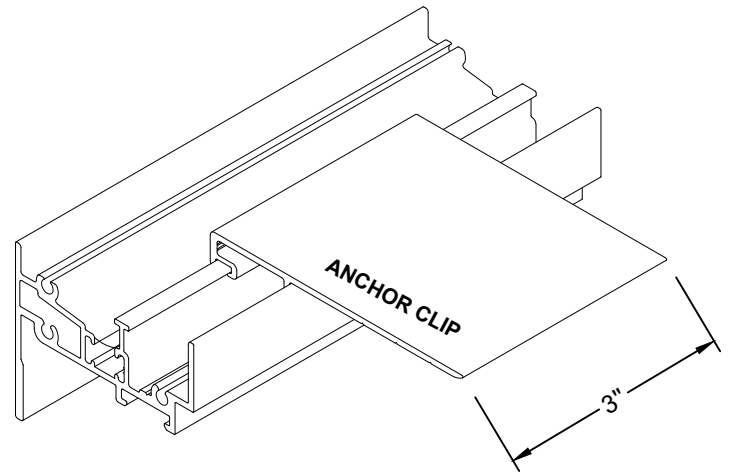
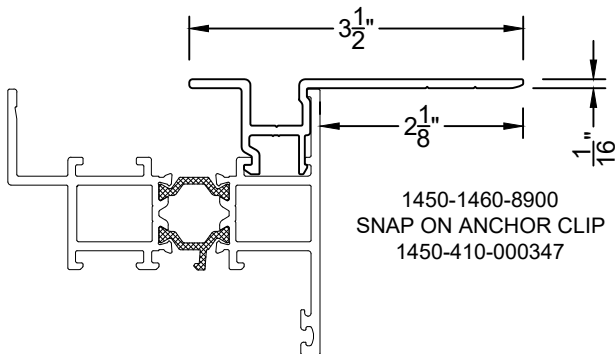
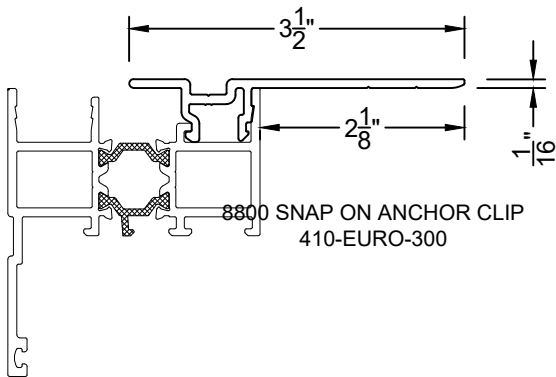
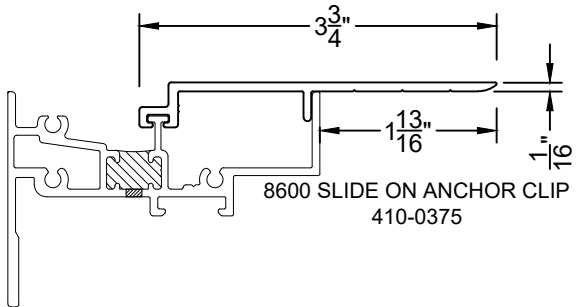
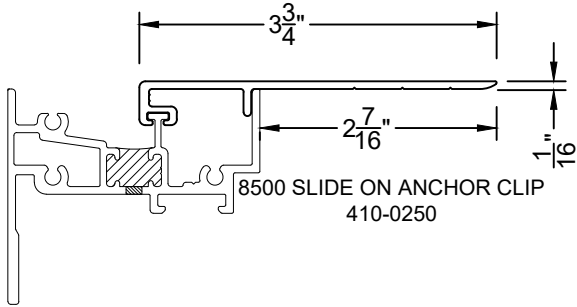
EXTENSION 64

REINFORCEMENT 65

ANCHOR F CLIP

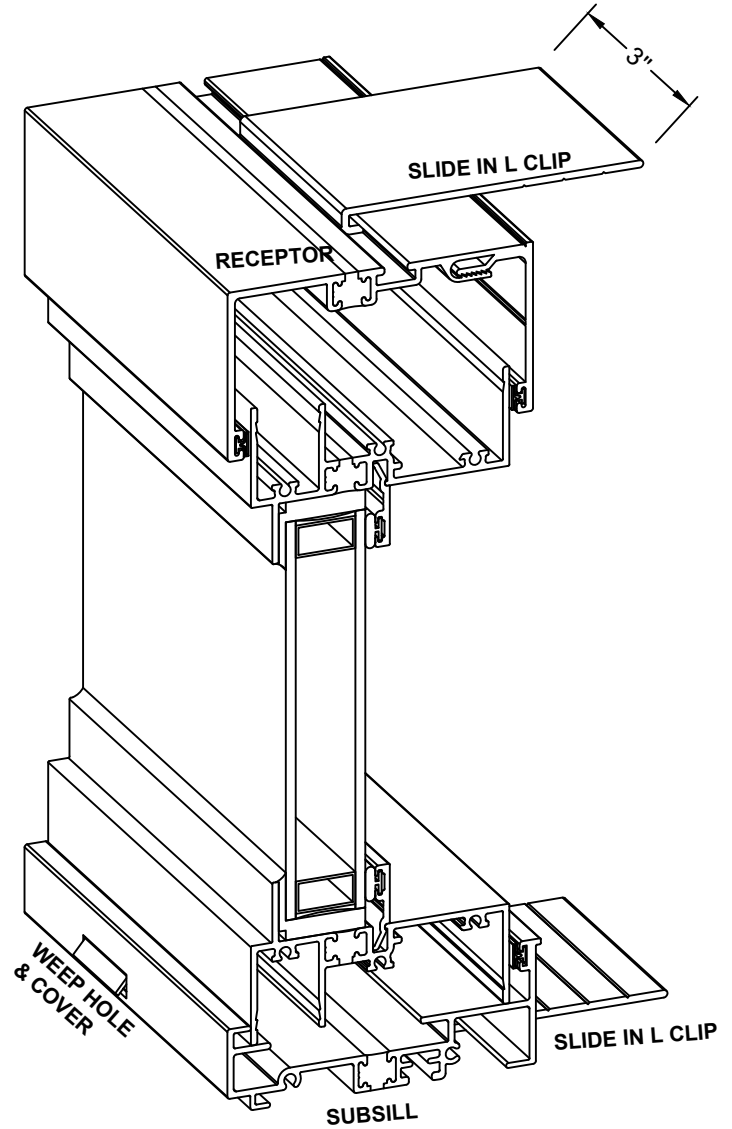
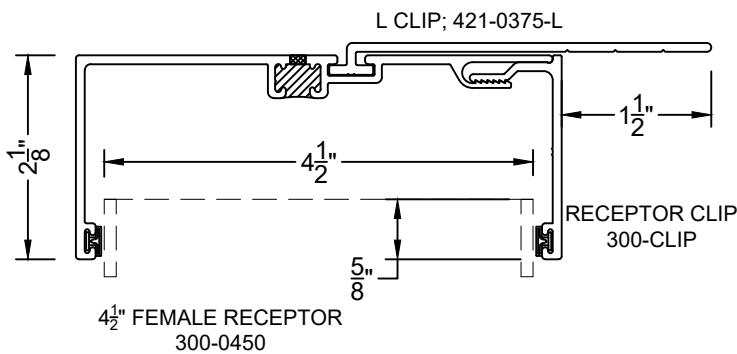
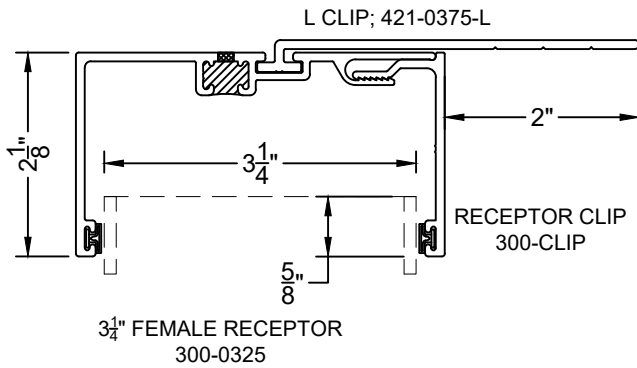
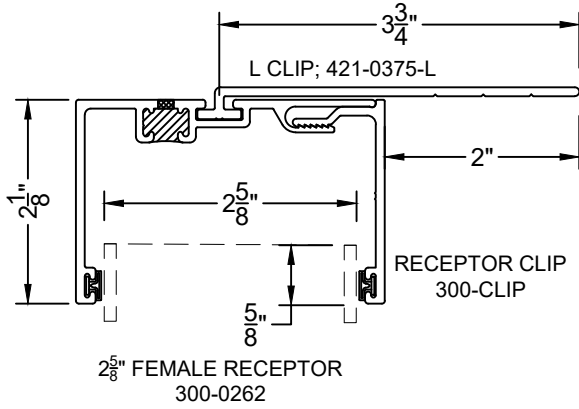


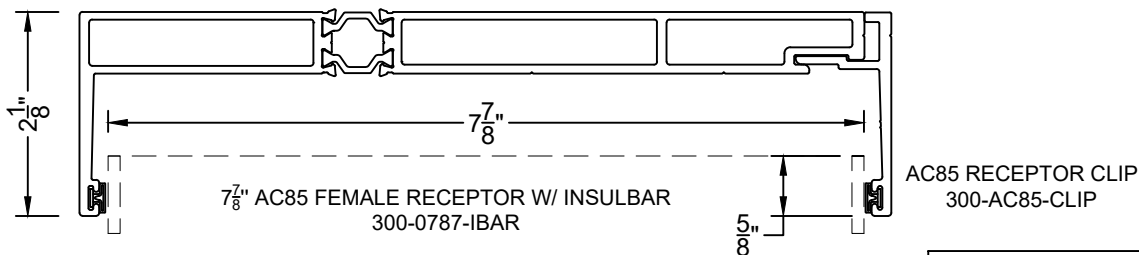
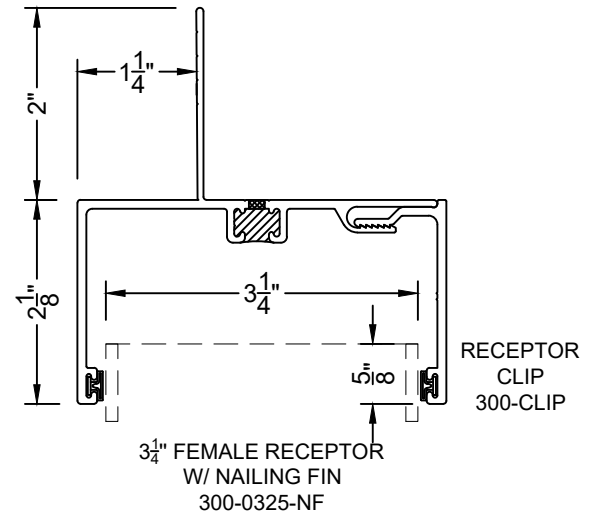
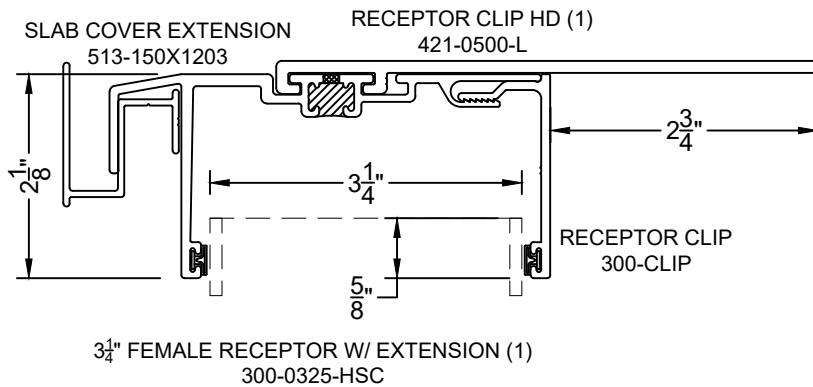
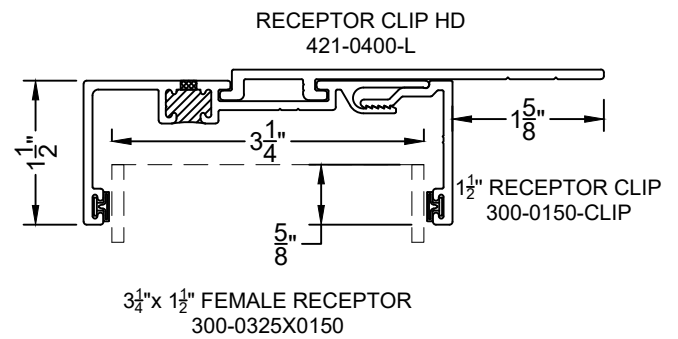
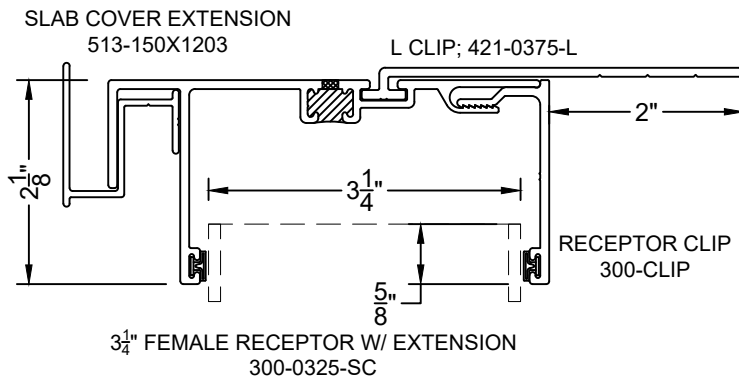
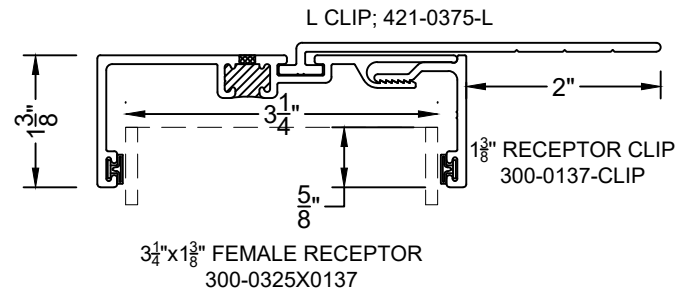
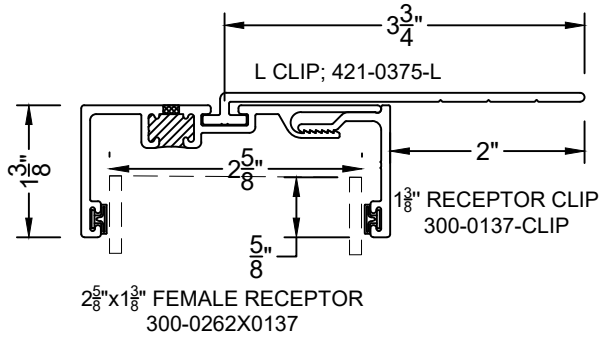
SLIDE / SNAP ON ANCHOR CLIP



*STANDARD 3" LONG EACH CLIP
OPTIONAL CONTINUOUS CLIP

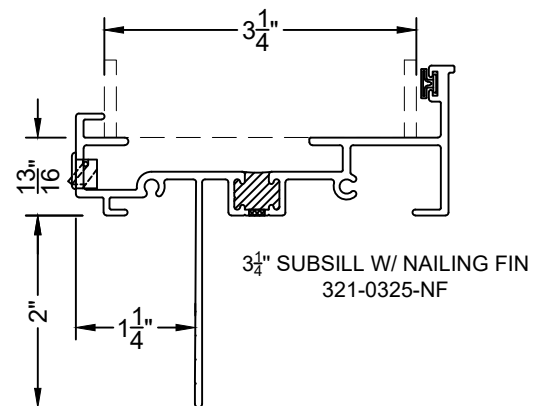
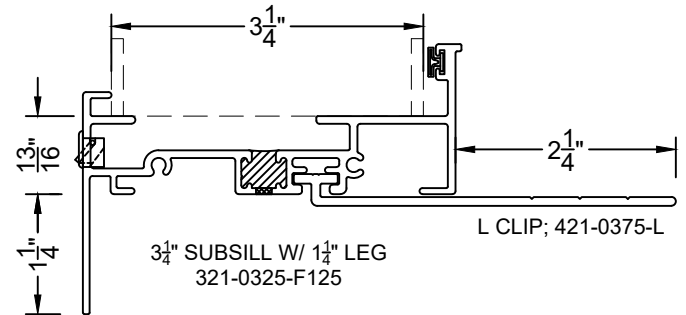
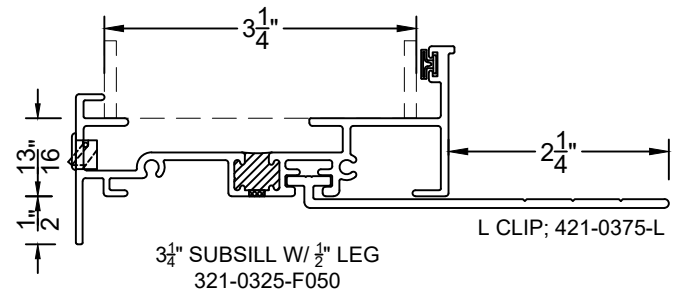
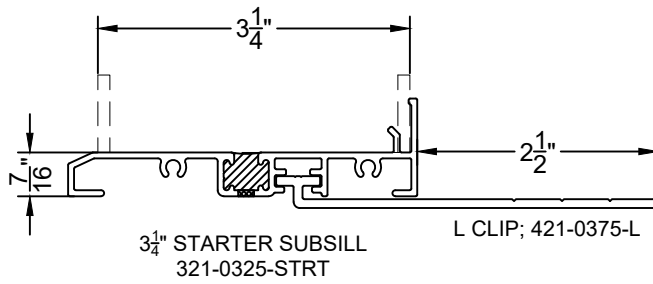
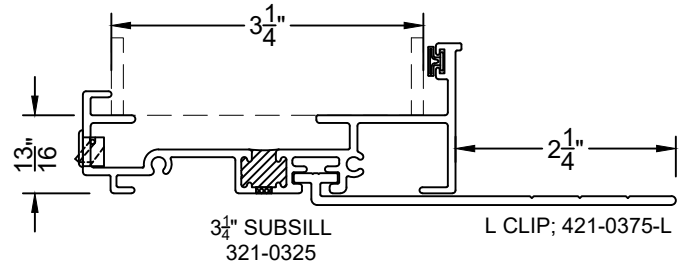
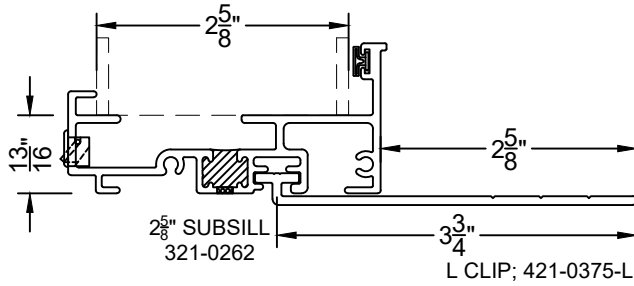
HEAD AND JAMB RECEPTOR W/ SLIDE ON L CLIP



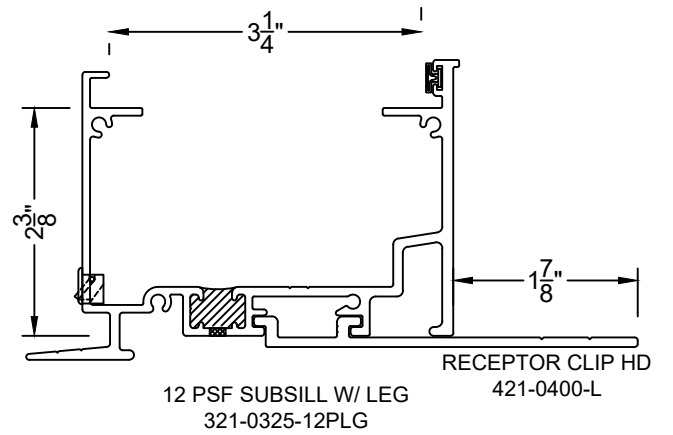
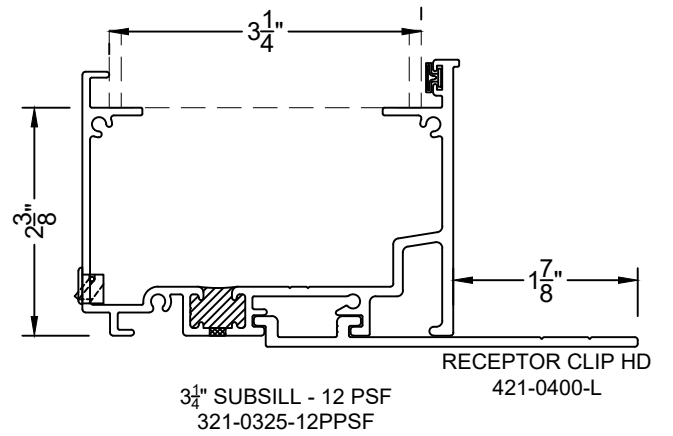
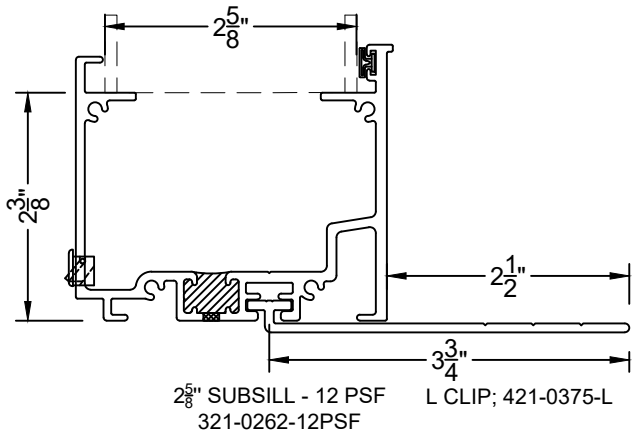
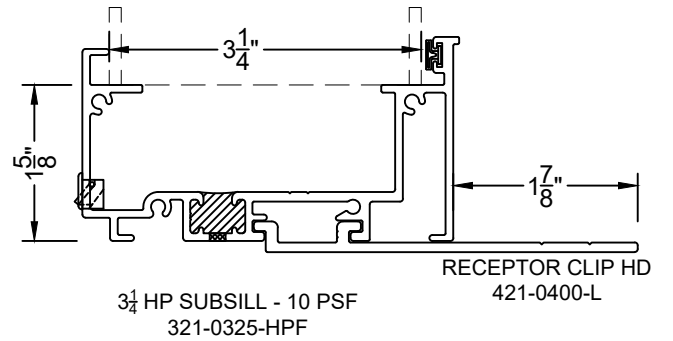
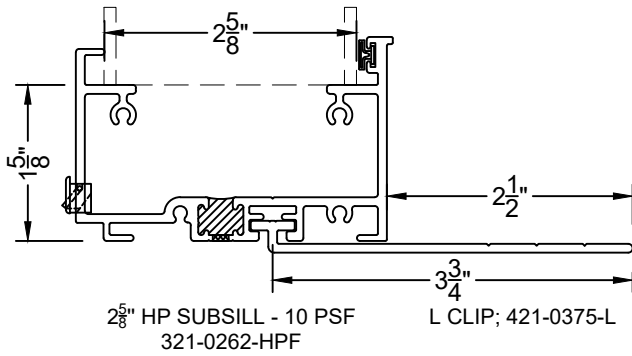


*REFER PAGE 6 FOR DIFFERENT SIZES OF SLIDE ON L CLIP FOR RECEPTOR & SUBSILL

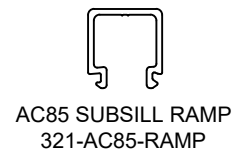
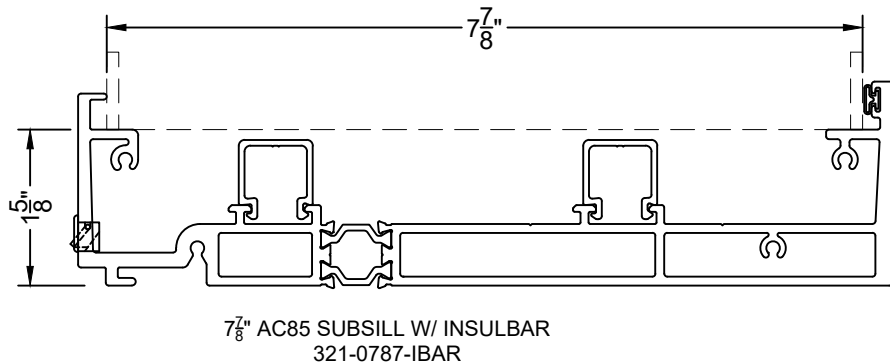
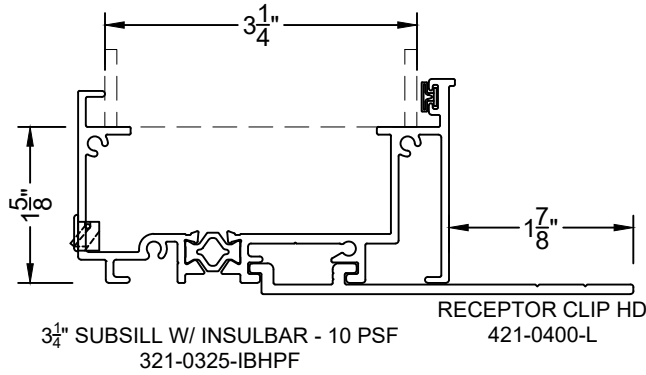
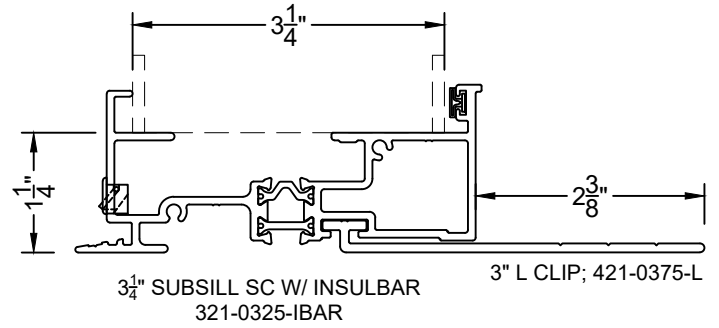
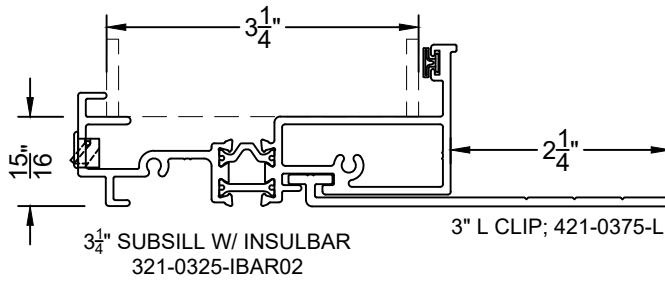
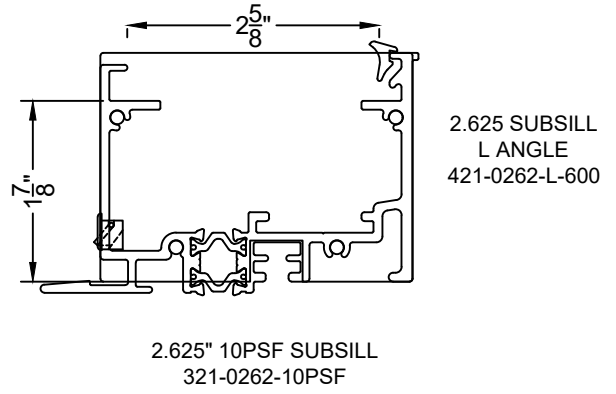
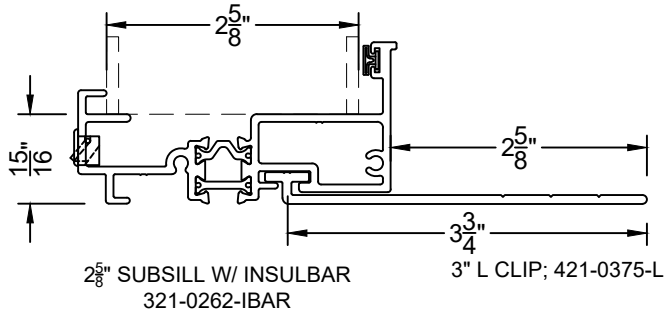
SUBSILL W/ SLIDE ON L CLIP



*REFER PAGE 6 FOR DIFFERENT SIZES OF SLIDE ON L CLIP FOR RECEPTOR & SUBSILL

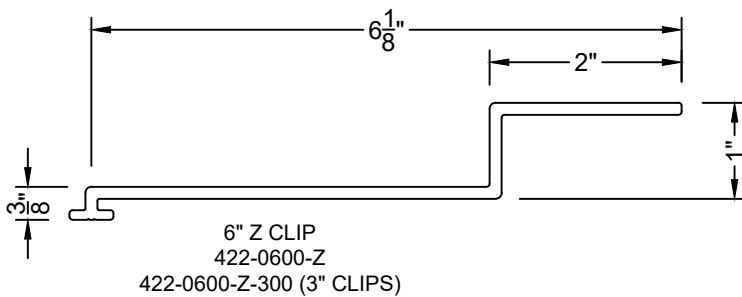
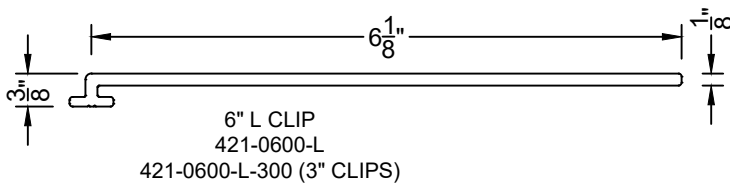
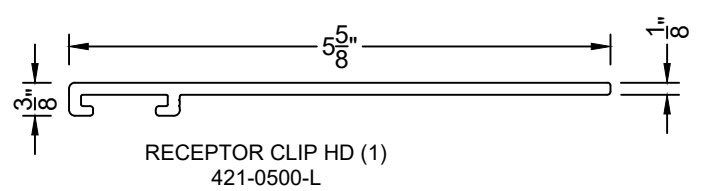
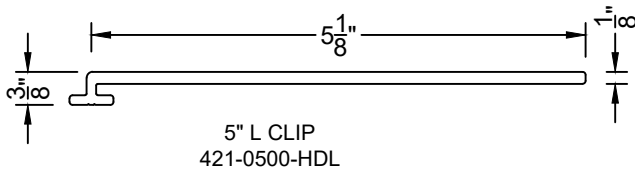
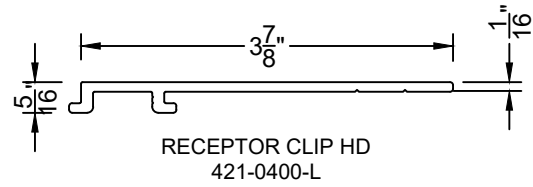
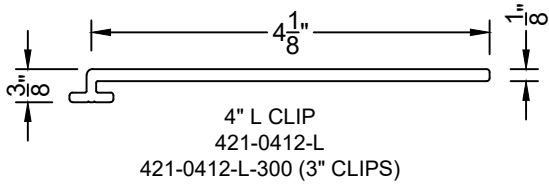
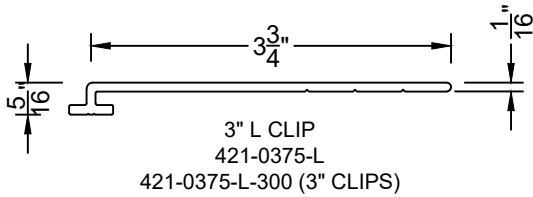
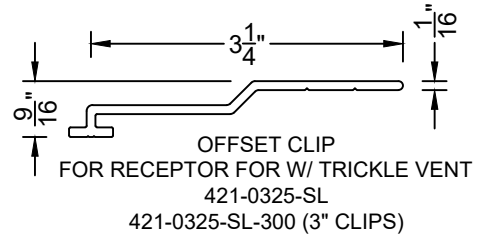
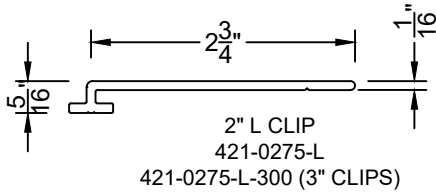


*REFER PAGE 6 FOR DIFFERENT SIZES OF SLIDE ON L CLIP FOR RECEPTOR & SUBSILL



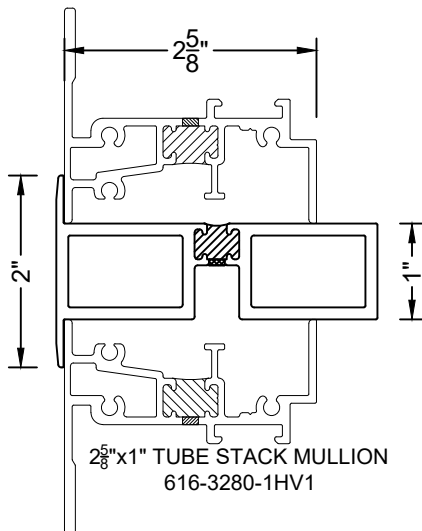
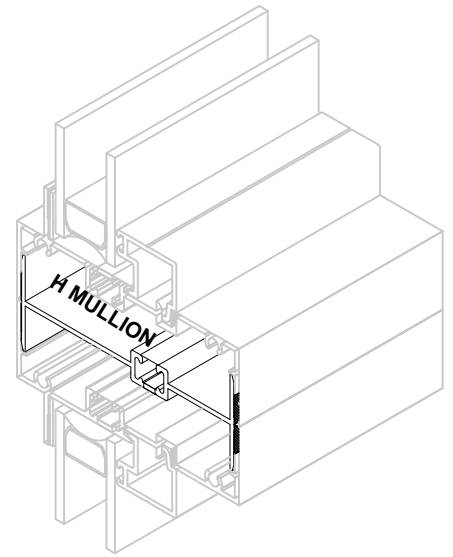
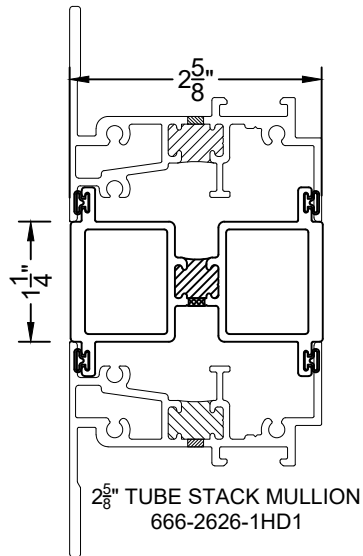
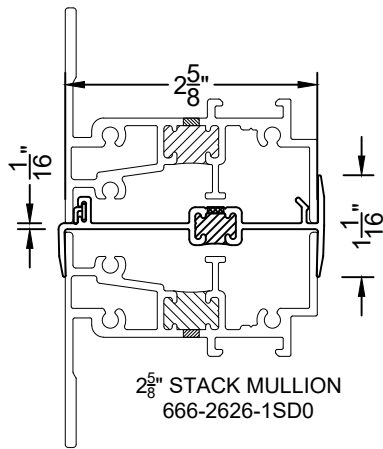
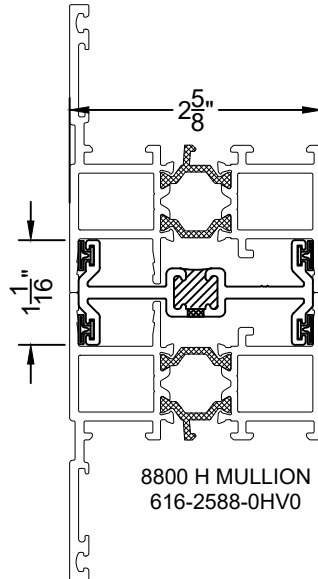
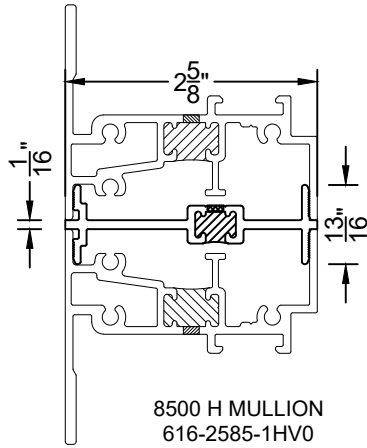
*REFER PAGE 6 FOR DIFFERENT SIZES OF SLIDE ON L CLIP FOR RECEPTOR & SUBSILL

SLIDE ON L CLIP* FOR RECEPTOR & SUBSILL

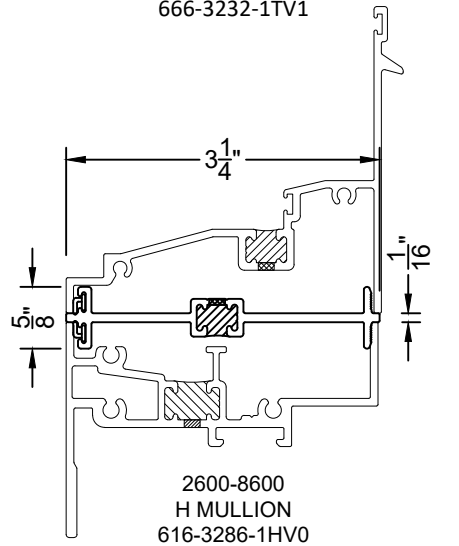
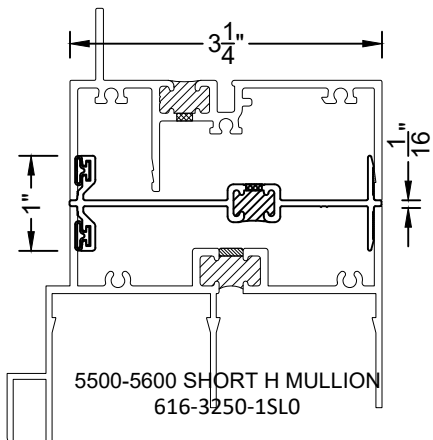
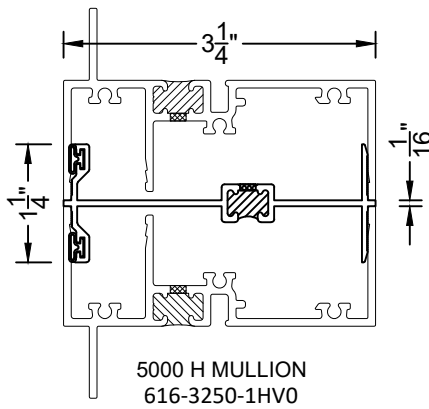
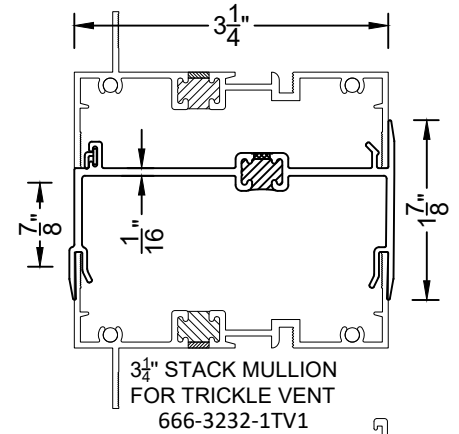
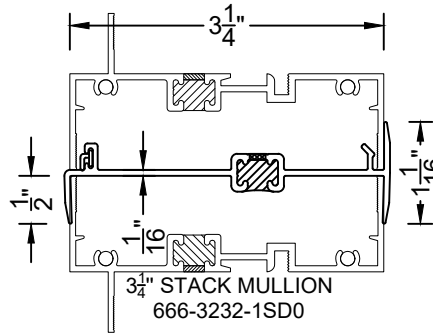
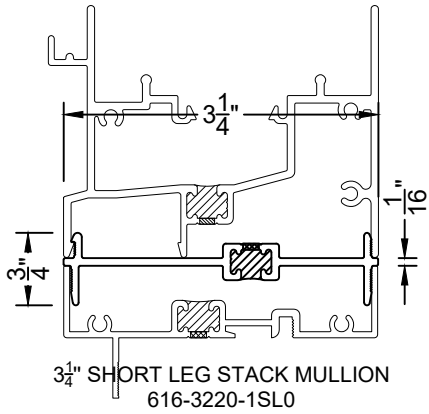
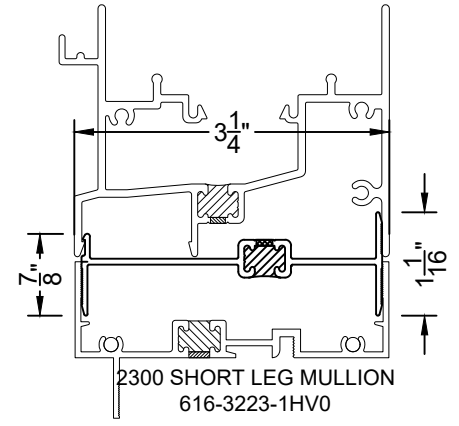
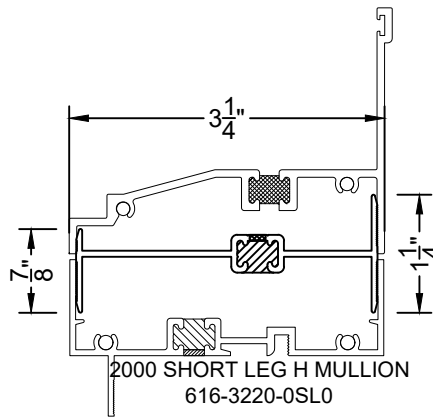
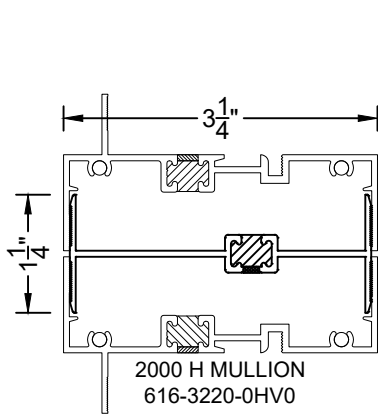


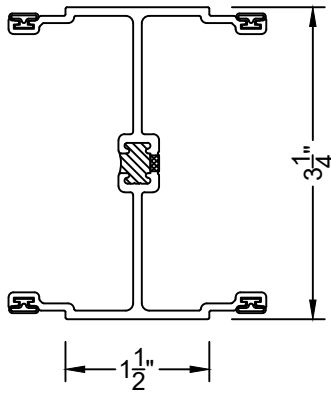
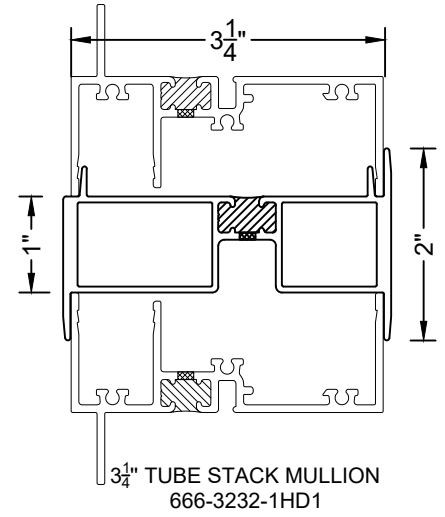
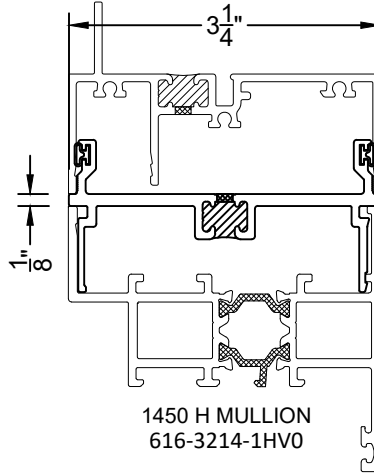
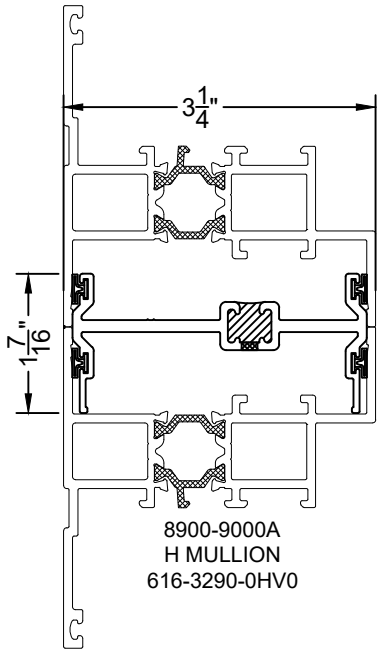
*STANDARD 3" LONG EACH CLIP

2⁵/₈" H MULLION & STACK MULLION

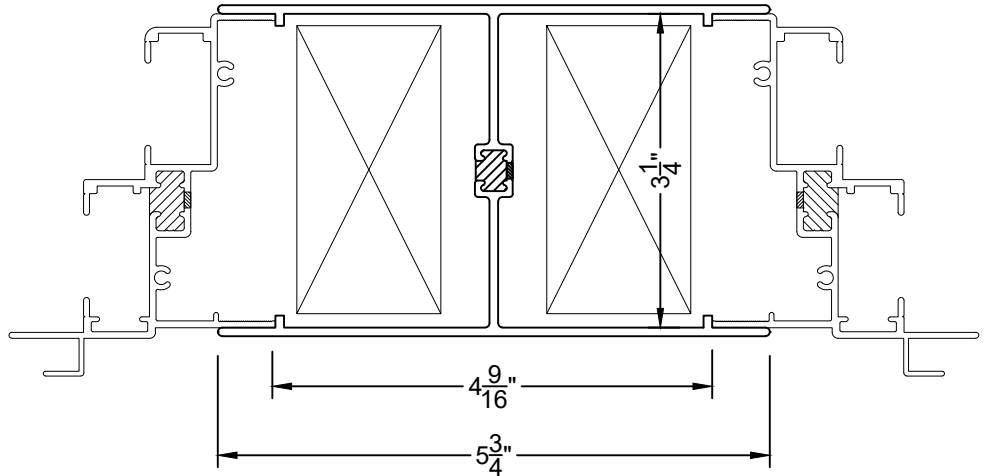


3¹/₄" H MULLION & STACK MULLION

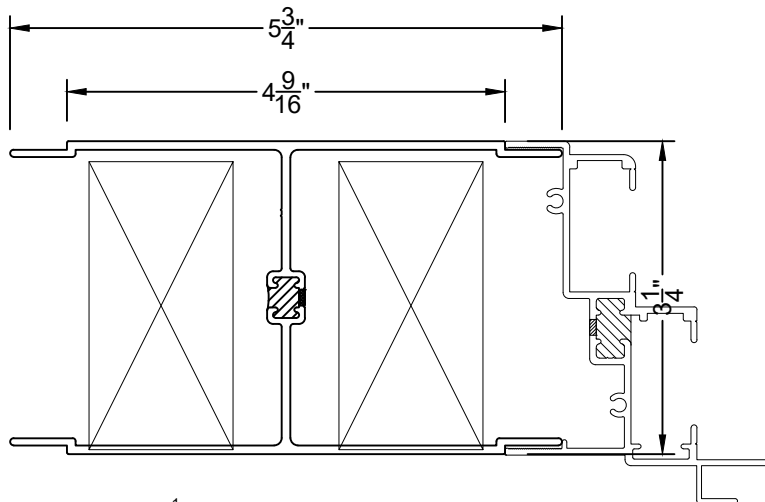




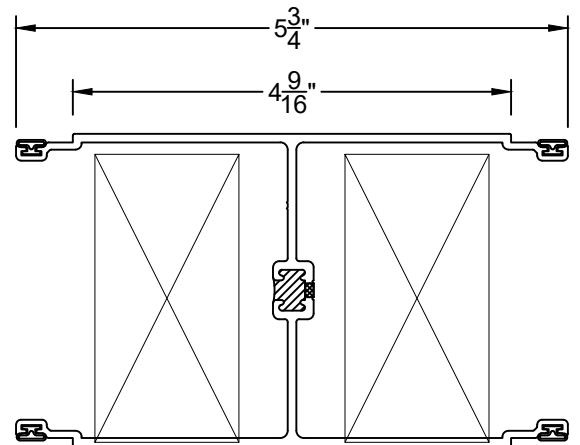
3.25" EXPANDED MULLION
GAK 1.5"
652-3232-2GA1



3/4" EXT EXPANDED MULLION
652-3232-1EX4

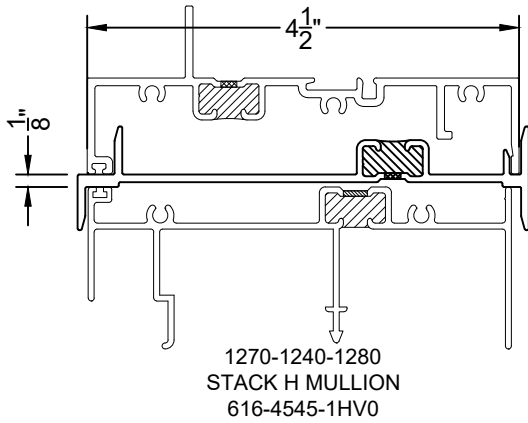


3/4" EXPANDED MULLION
652-3232-1IN4

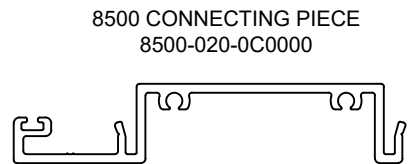
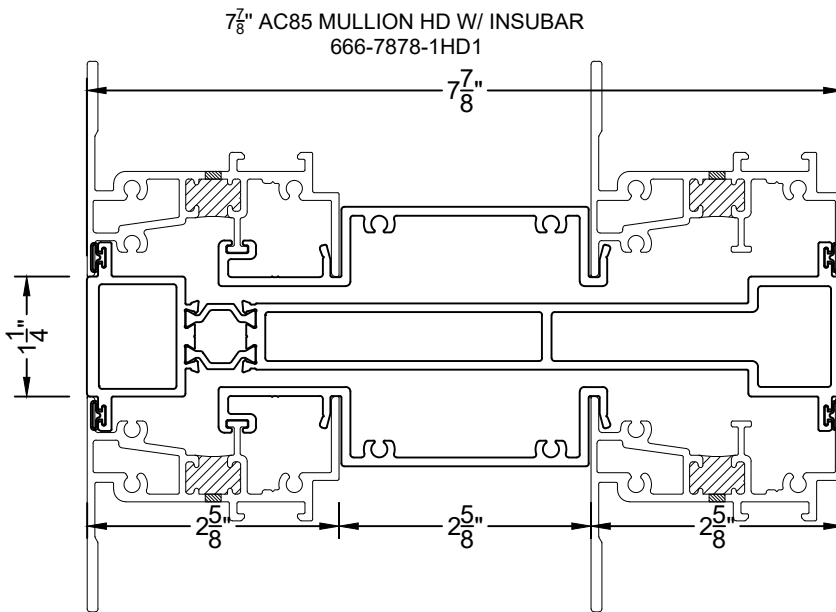


3/4" EXPANDED MULLION (1)
652-3232-1GA4

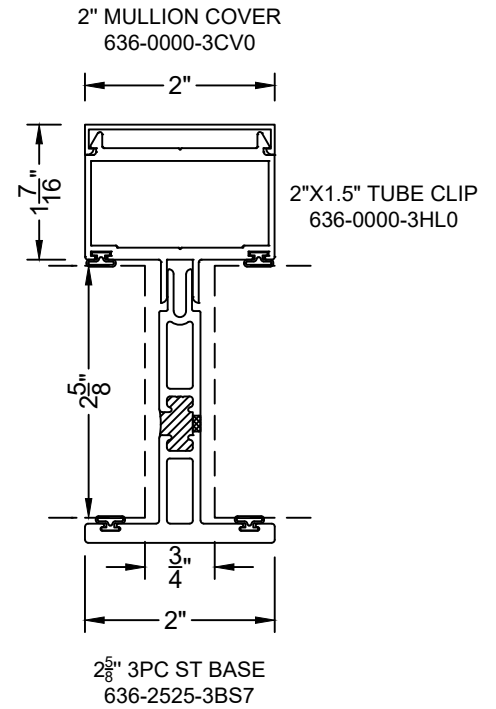
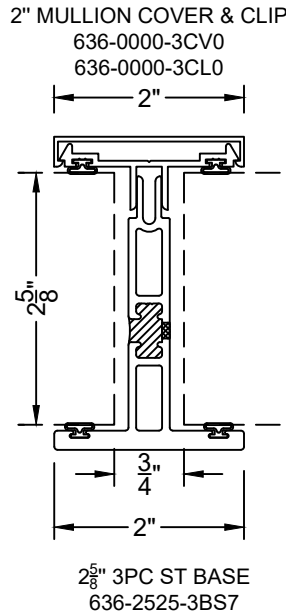
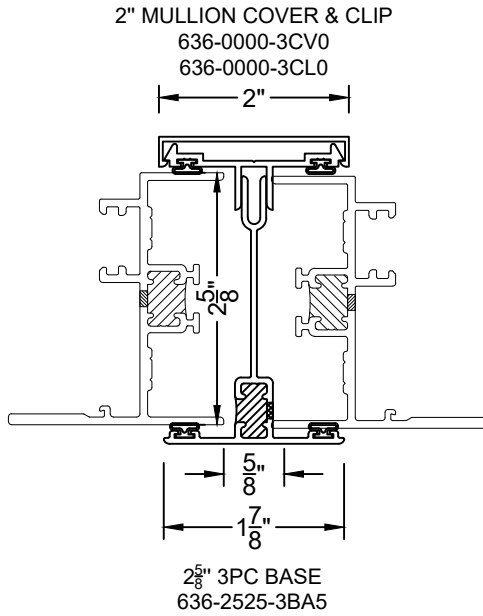
4 $\frac{1}{2}$ " H MULLION & STACK MULLION



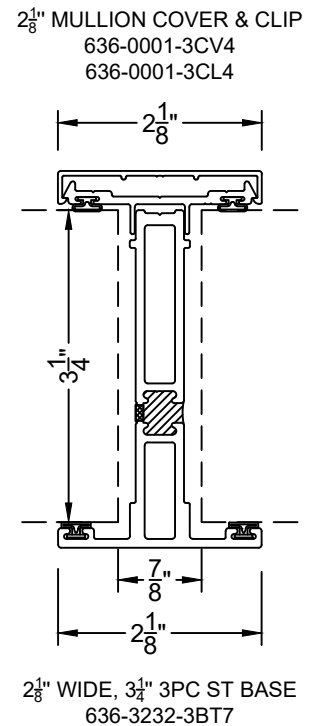
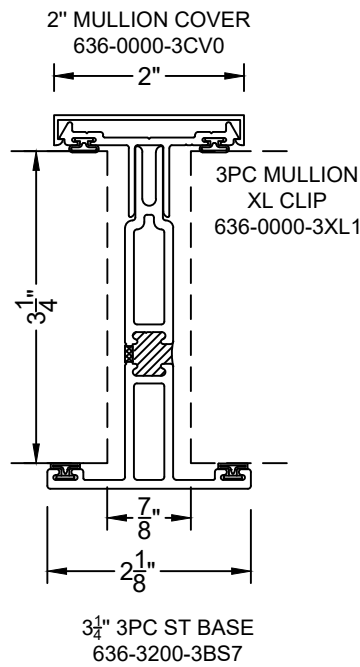
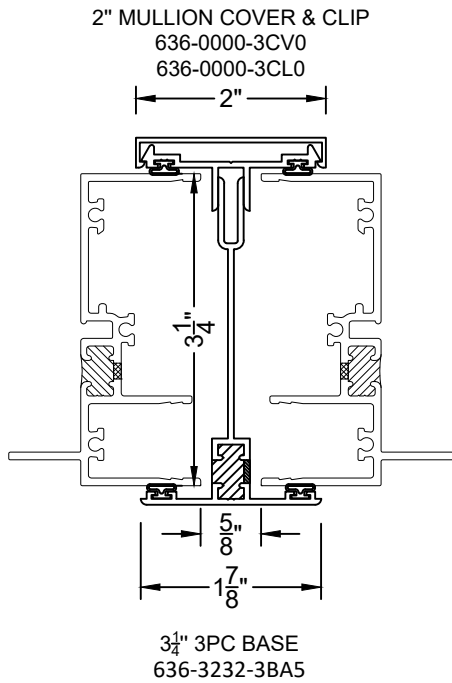
7 $\frac{7}{8}$ " AC85 MULLION

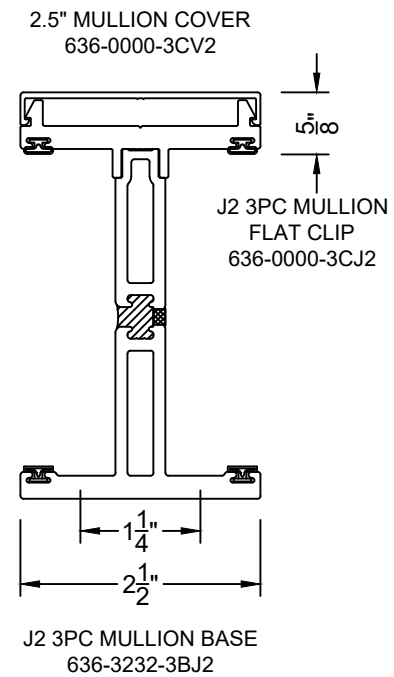
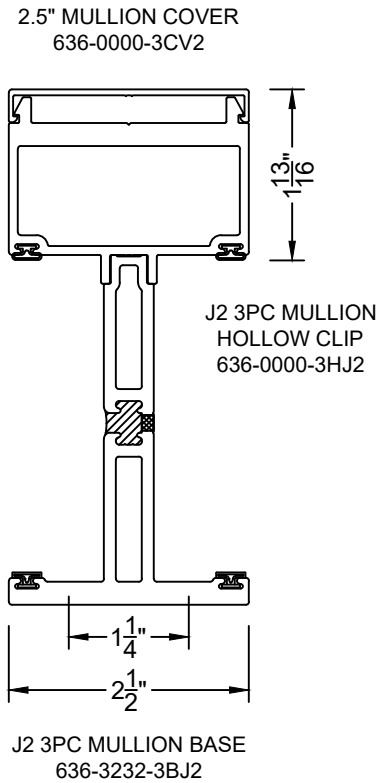
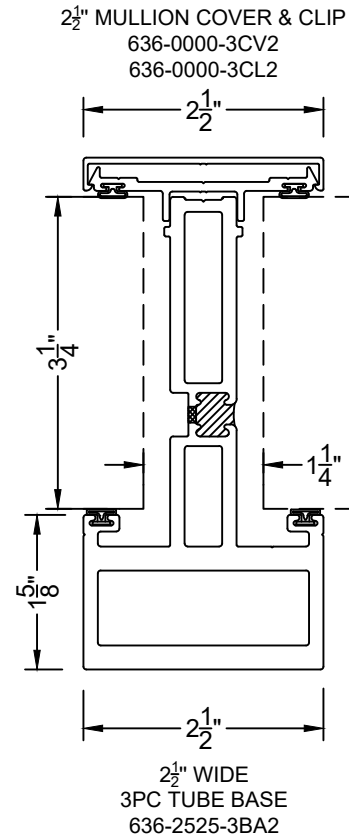
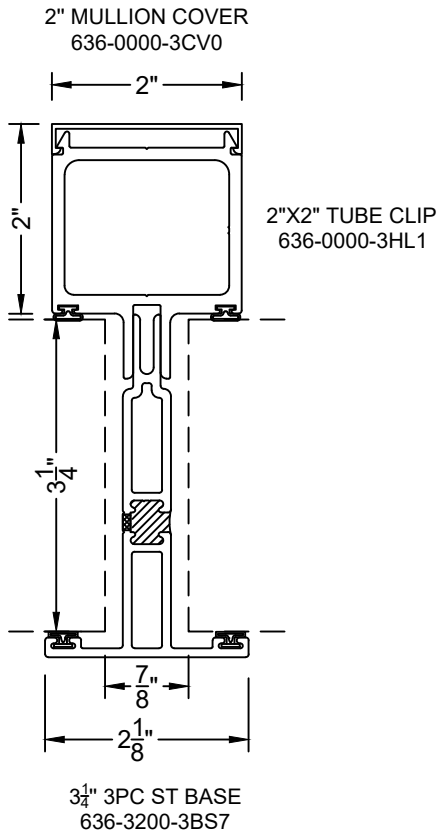


2⁵/₈" 3PC MULLION

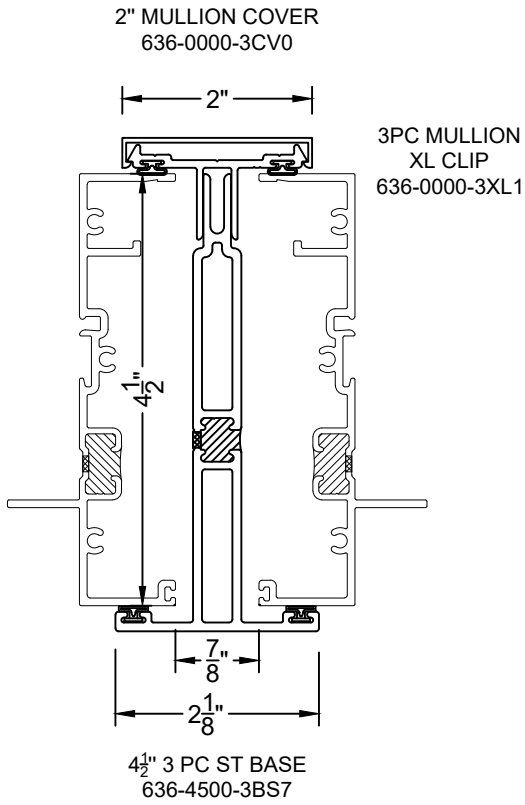


3¹/₄" 3PC MULLION

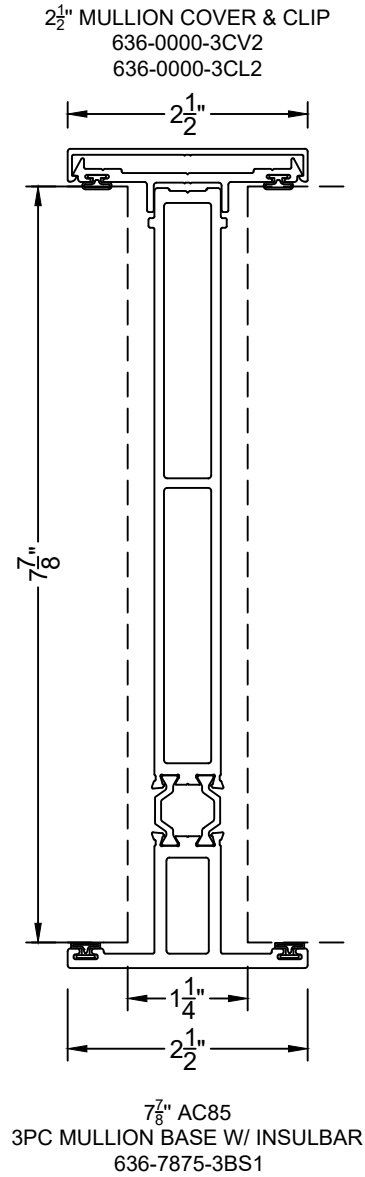




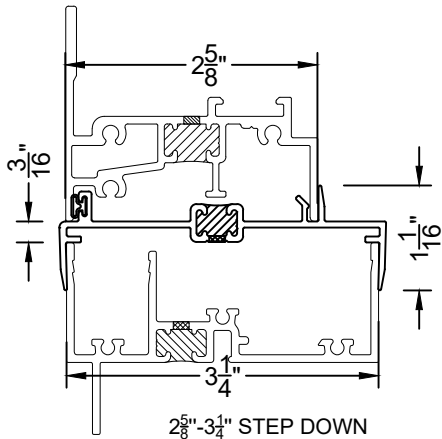
4½" 3PC MULLION



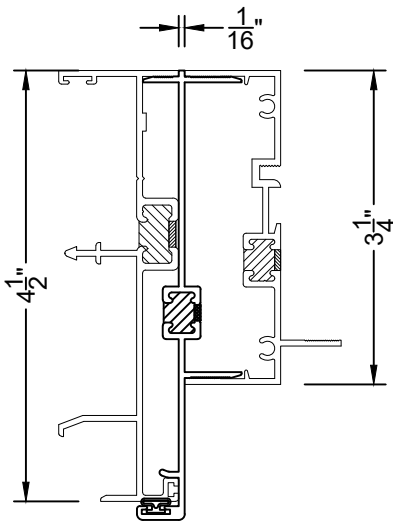
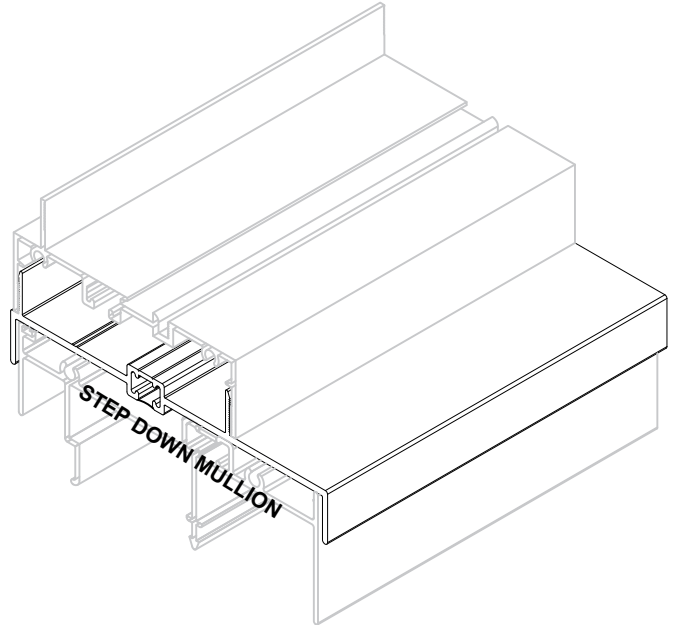
7 7/8" 3PC MULLION



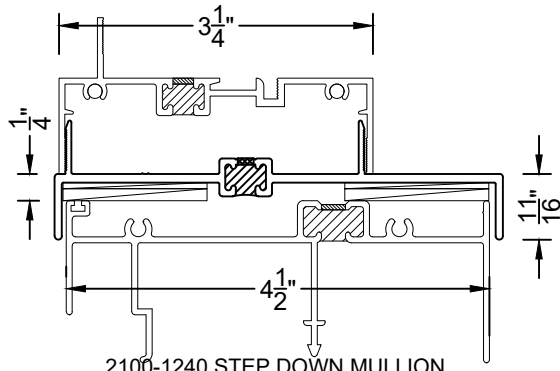
STEP DOWN MULLION



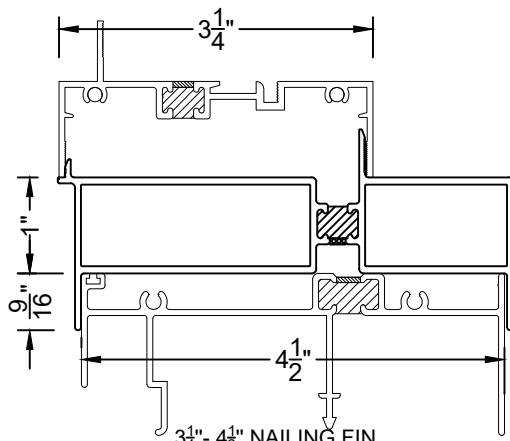
2 5/8"-3 1/4" STEP DOWN
STACK MULLION
642-3226-1IN0



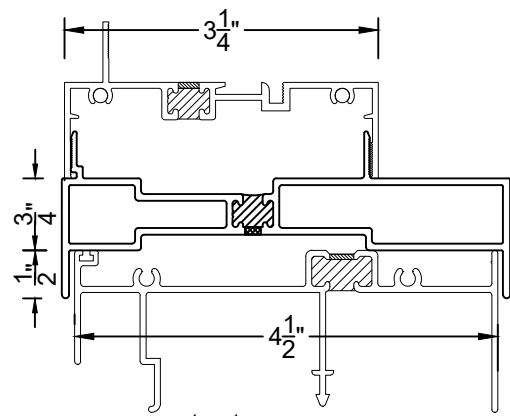
4 1/2"-3 1/4" STEP
DOWN MULLION
642-4532-1IN0



2100-1240 STEP DOWN MULLION
642-4532-1EX0

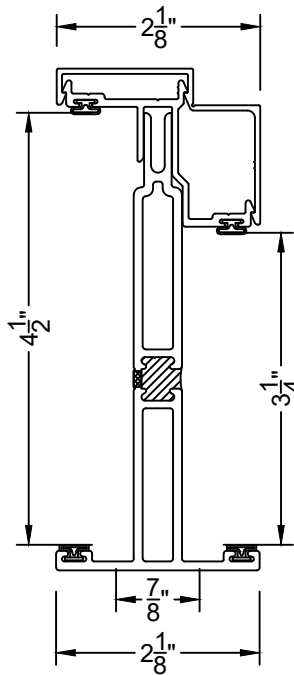


3/4" - 4 1/2" NAILING FIN
STEP DOWN TUBE MULLION
642-4532-1NL1



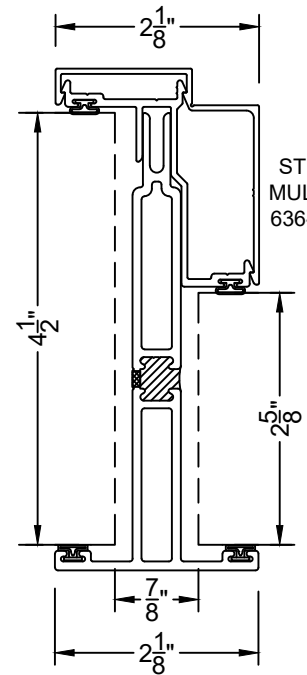
3/4" - 4 1/2" STEP DOWN
TUBE MULLION
642-4532-1HD6

4 1/2" - 3 1/4" STEP DOWN
MULLION COVER
636-4532-3CV2



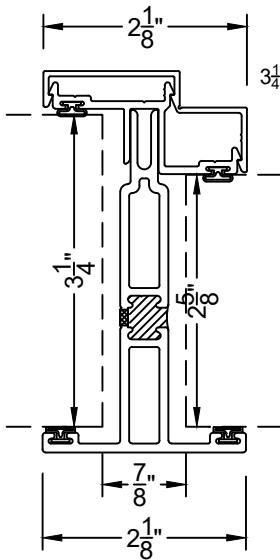
4 1/2" 3PC ST BASE
636-4500-3BS7

4 1/2" - 2 5/8" STEP DOWN
MULLION COVER
636-4525-3CV1



4 1/2" 3PC ST BASE
636-4500-3BS7

3/4" - 2 5/8" STEP DOWN
MULLION COVER
636-3225-3CV1



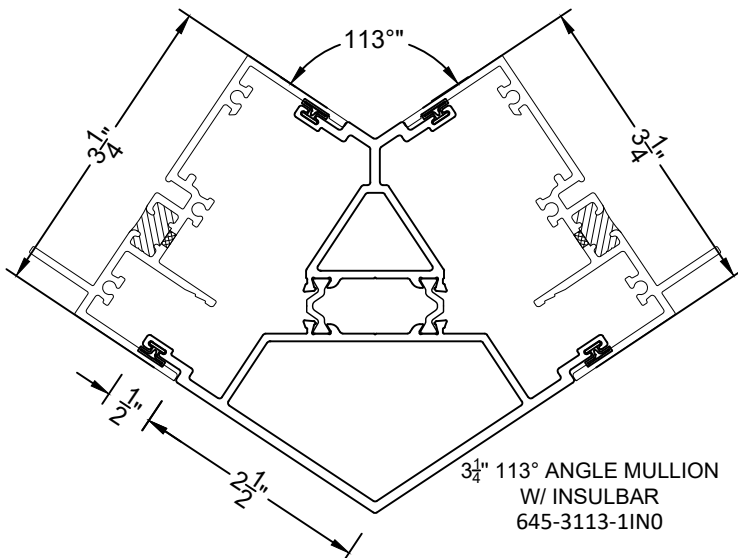
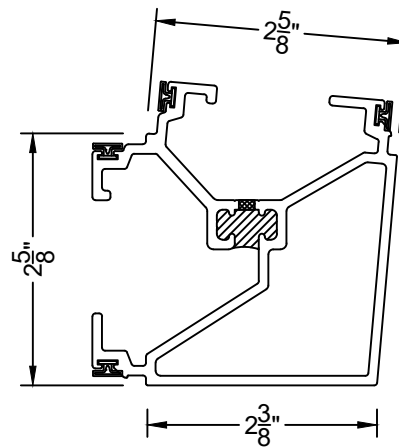
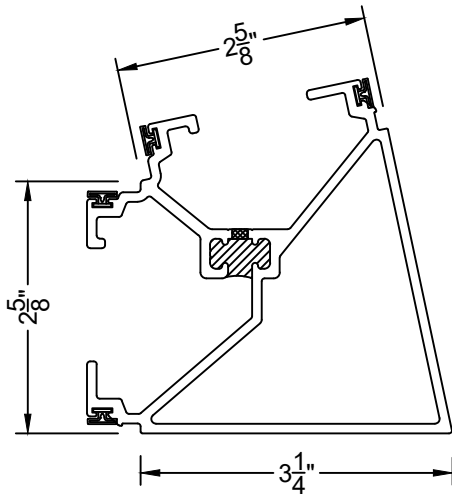
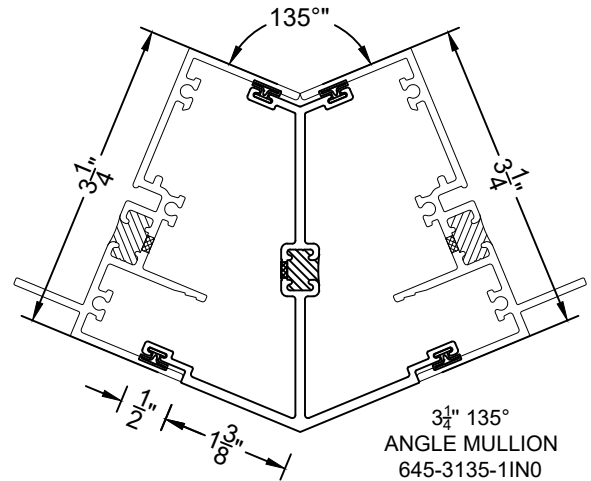
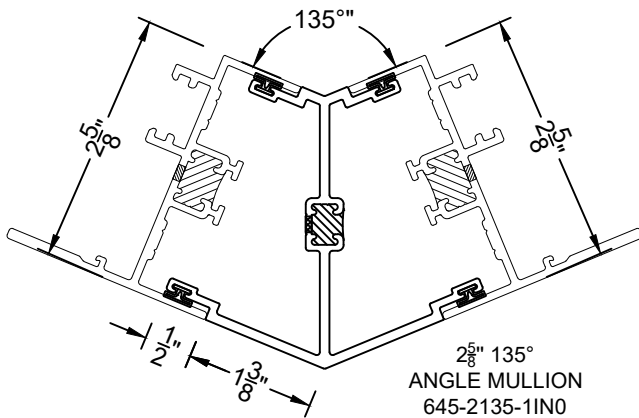
3/4" 3PC ST BASE
636-3200-3BS7

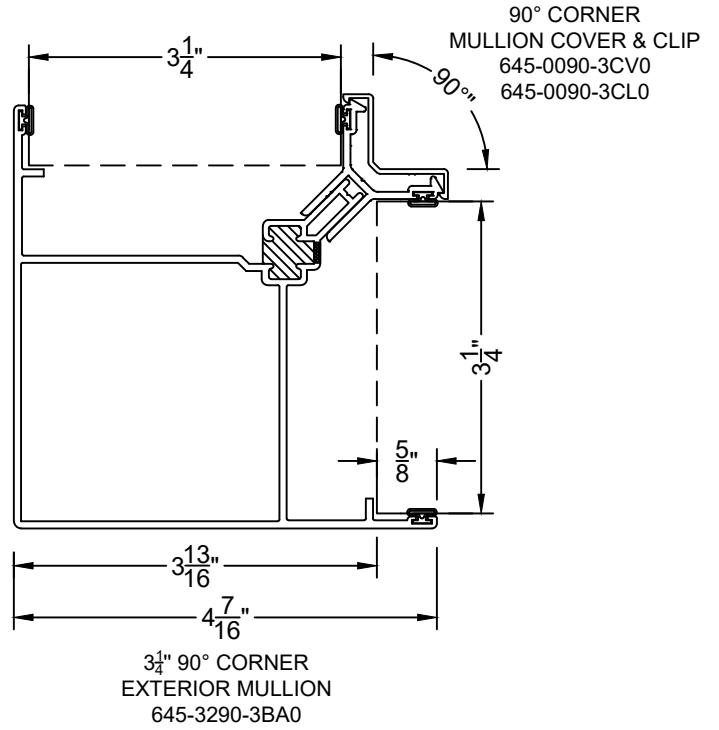
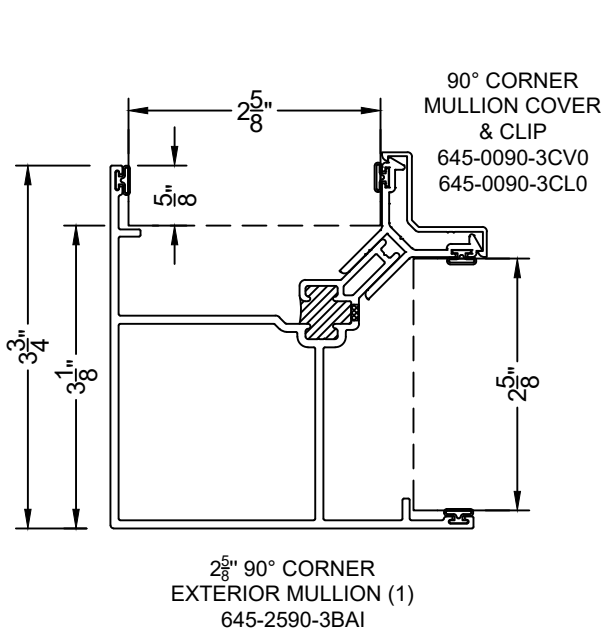
3 1/4" - 2 5/8" STEP DOWN
MULLION CLIP
636-3225-3CL1

4 1/2" - 3 1/4"
STEP DOWN
MULLION CLIP
636-4532-3CL2

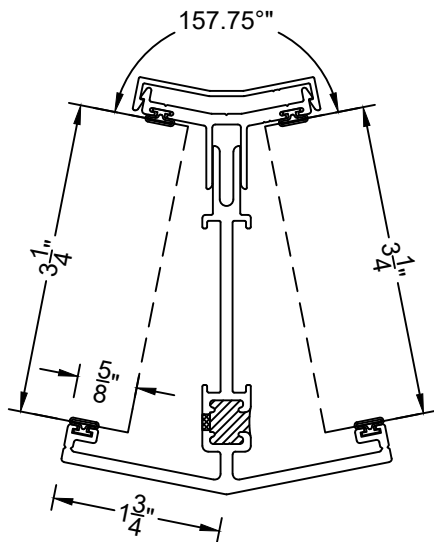
4 1/2" - 2 5/8"
STEP DOWN
MULLION CLIP
636-4525-3CL1

ANGLE MULLION

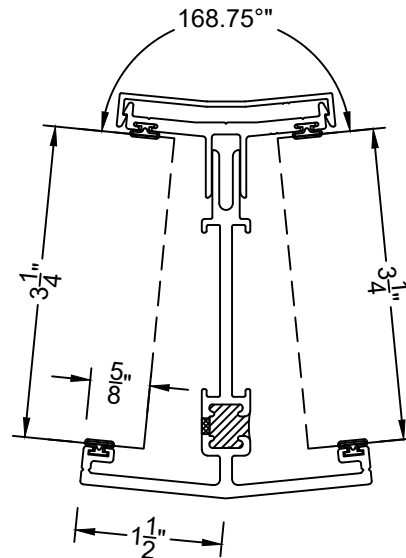




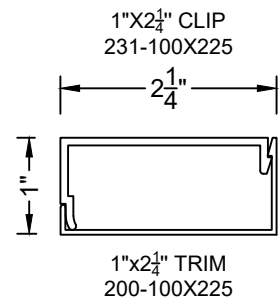
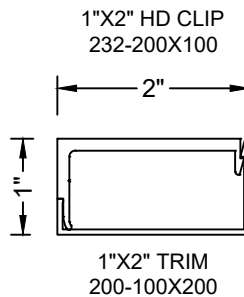
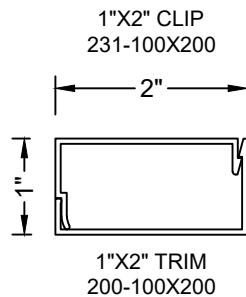
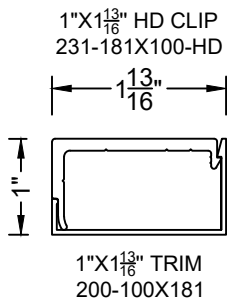
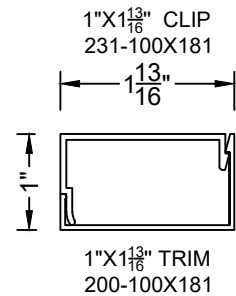
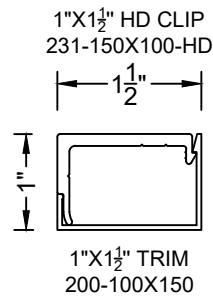
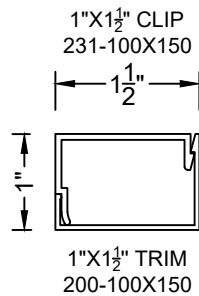
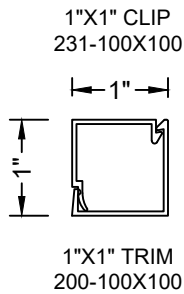
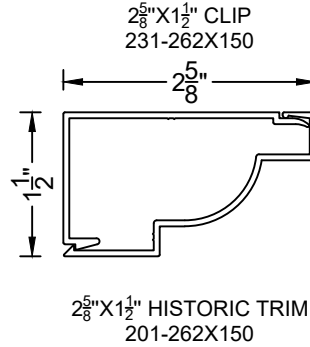
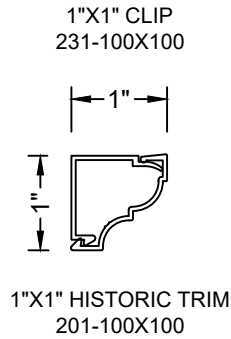
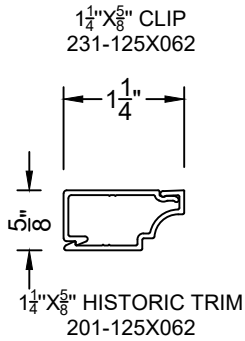
157.75° MULLION COVER & CLIP
645-3158-3CV0
645-3158-3CLO

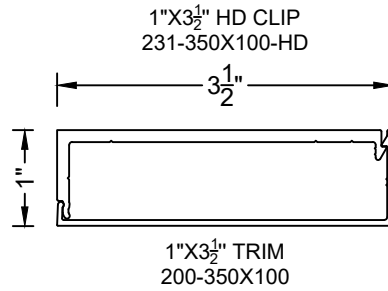
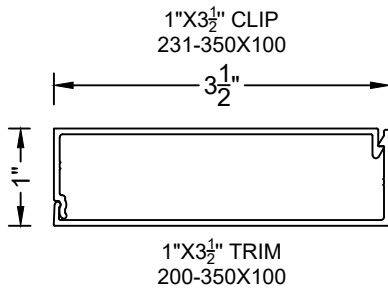
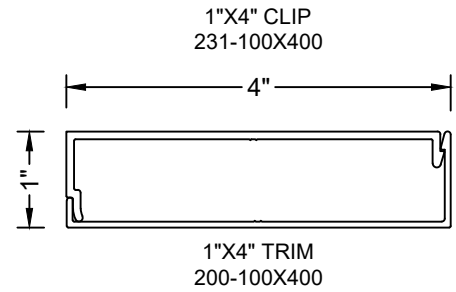
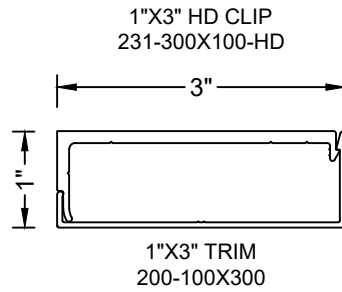
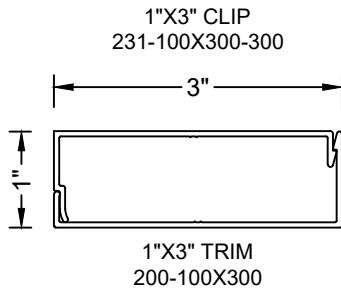
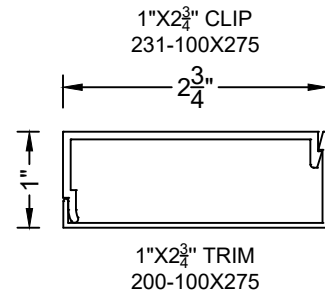
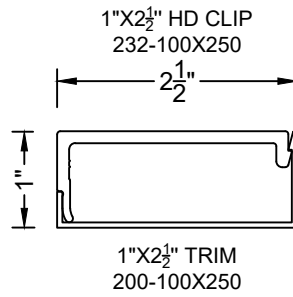
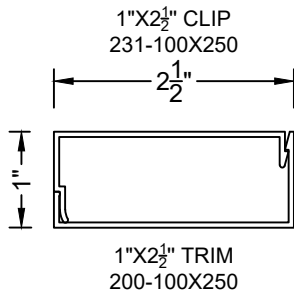


168.75° MULLION COVER
645-3168-3CV0
645-3168-3CLO



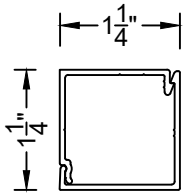
SNAP TRIM





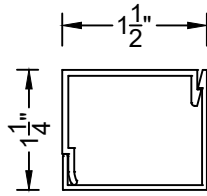
*TRIM IS CONTINUOUS PIECE (WITH FINISH)
STANDARD CLIP IS 3" LONG EACH PIECE (MILL FINISH)
(OPTIONAL CONTINUOUS CLIP)

1/4"X1 1/4" CLIP
231-125X125



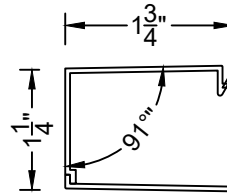
1/4"X1 1/4" TRIM
200-125X125

1 1/4"X1 1/2" CLIP
231-125X150



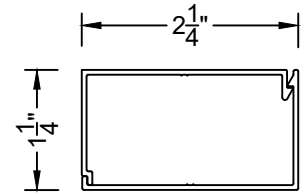
1 1/4"X1 1/2" TRIM
200-150X125

1/4"X1 3/4" CLIP
231-125X175



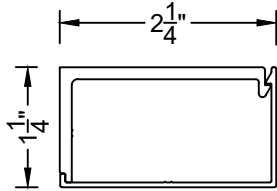
1/4"X1 3/4" TRIM
200-125X175

1/4"X2 1/4" CLIP
231-125X225



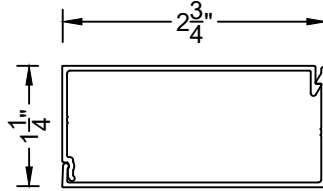
1/4"X2 1/4" TRIM
200-125X225

1/4"X2 1/4" DH CLIP
232-125X225



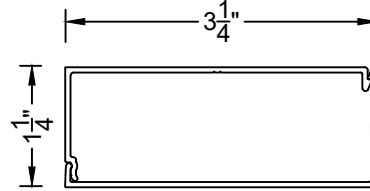
1/4"X2 1/4" TRIM
200-125X225

1/4"X2 3/4" CLIP
231-125X275



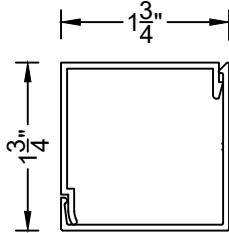
1/4"X2 3/4" TRIM
200-125X275

1/4"X3 1/4" CLIP
231-125X325



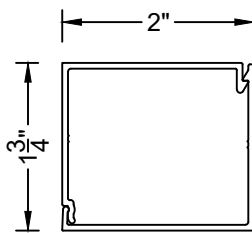
1/4"X3 1/4" TRIM
200-125X325

1 3/4"X1 3/4" CLIP
231-175X175



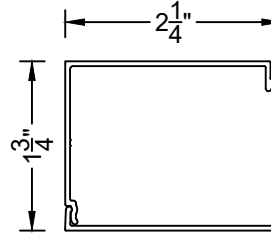
1 3/4"X1 3/4" TRIM
200-175X175

1 3/4"X2" CLIP
231-175X200



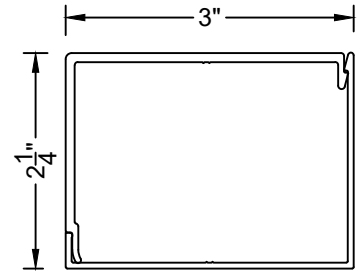
1 3/4"X2" TRIM
200-175X200

1 3/4"X2 1/4" CLIP
231-175X225



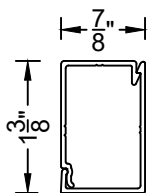
1 3/4"X2 1/4" TRIM
200-175X225

2.25"X3" CLIP
232-225X300



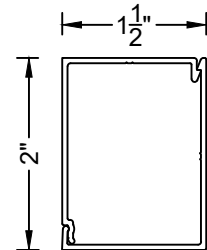
2.25"X3" TRIM
200-225X300

1 3/8"X7/8" CLIP
231-137X087



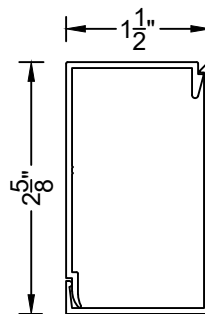
1 3/8"X7/8" TRIM
200-137X087

2"X1 1/2" CLIP
231-200X150



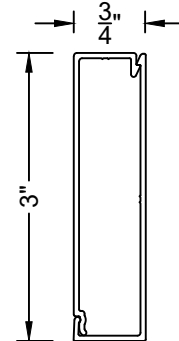
2"X1 1/2" TRIM
200-200X150

2 5/8"X1 1/2" CLIP
231-262X150



2 5/8"X1 1/2" TRIM
200-262X150

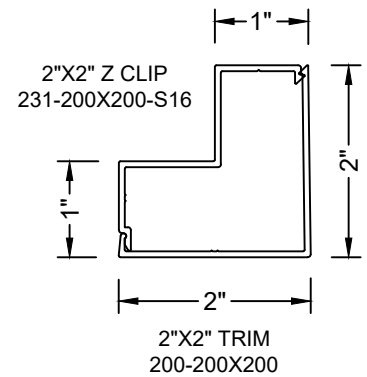
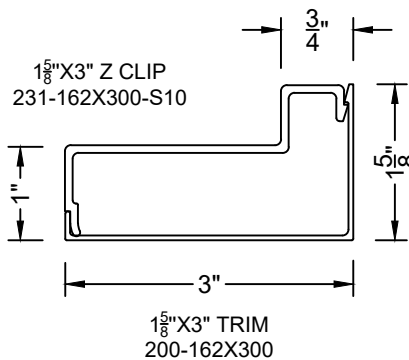
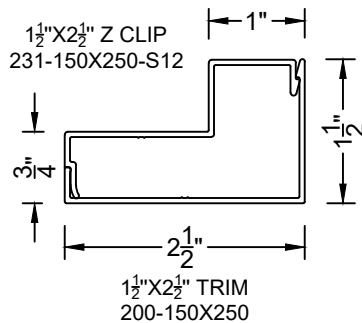
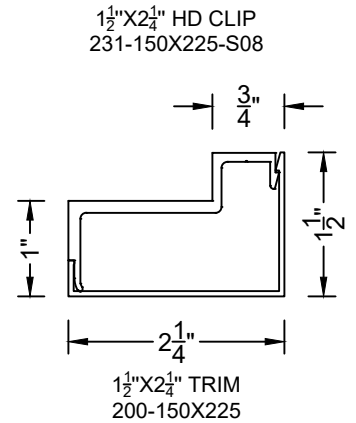
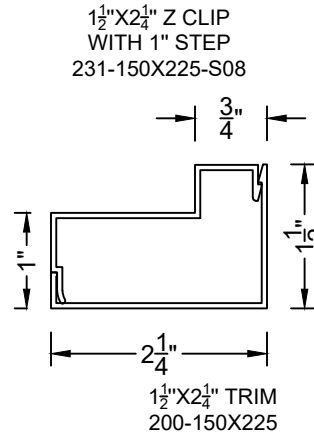
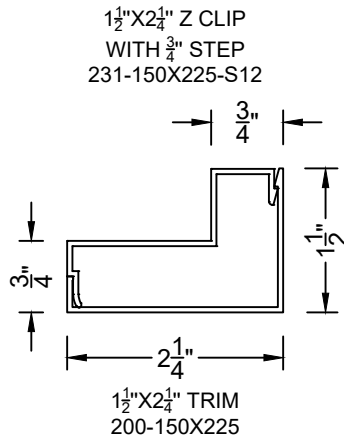
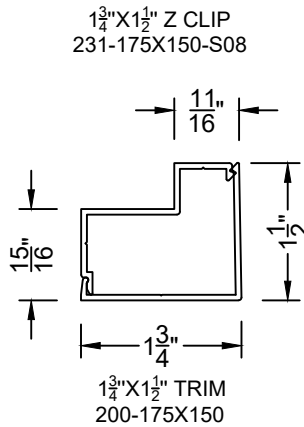
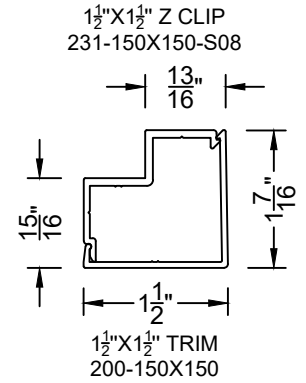
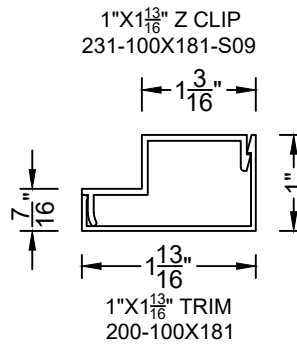
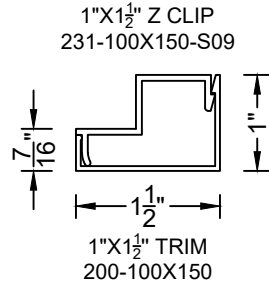
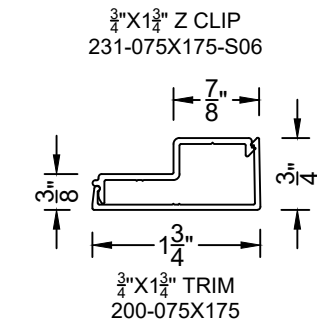
3"X3/4" CLIP
231-300X075



3"X3/4" TRIM
200-300X075

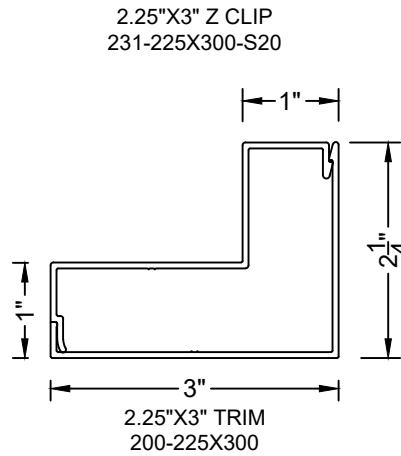
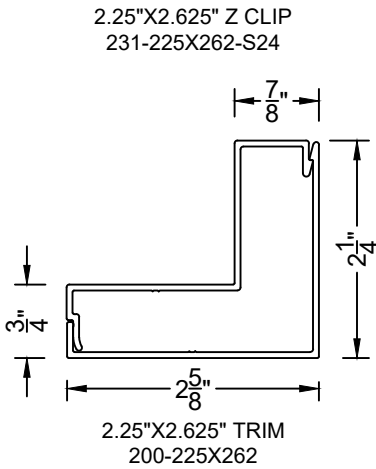
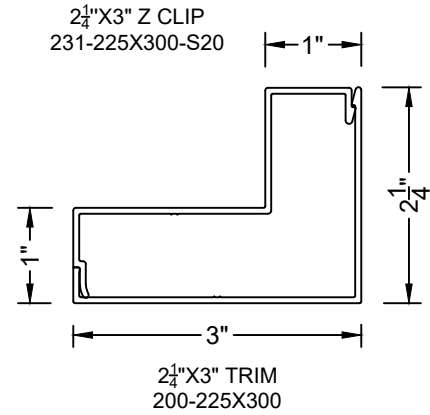
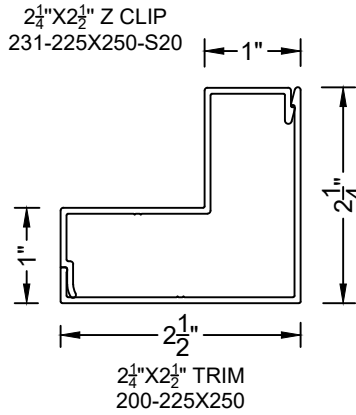
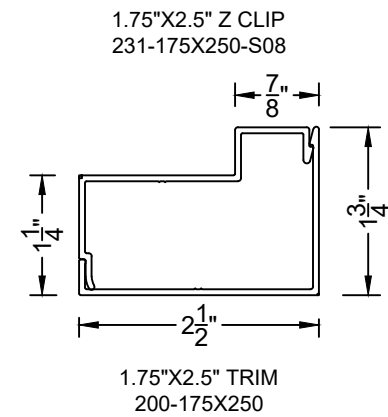
*TRIM IS CONTINUOUS PIECE (WITH FINISH)
STANDARD CLIP IS 3" LONG EACH PIECE (MILL FINISH)
(OPTIONAL CONTINUOUS CLIP)

SNAP TRIM (W/ Z CLIP)

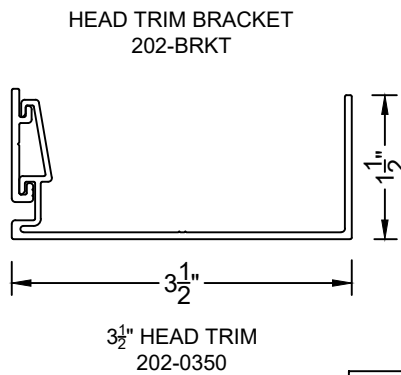
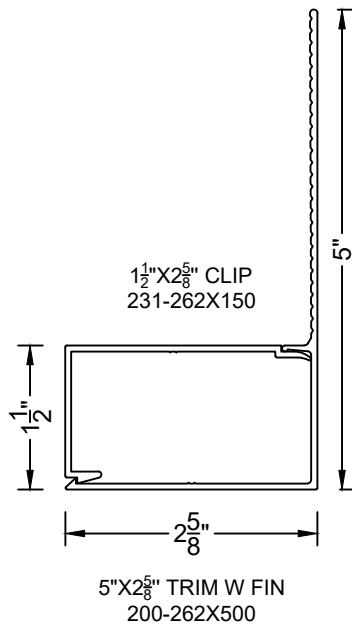
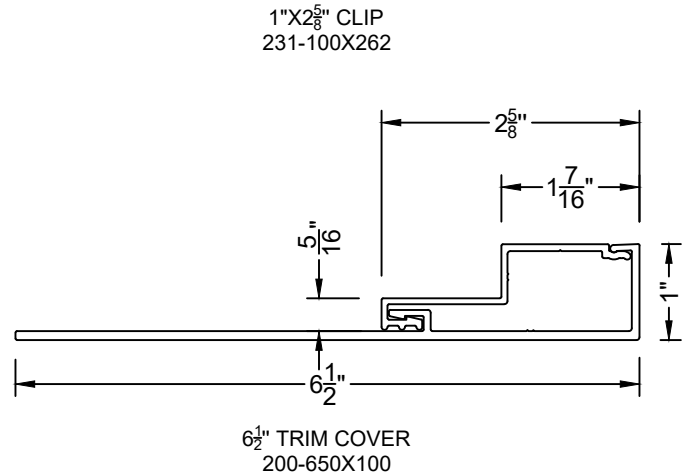
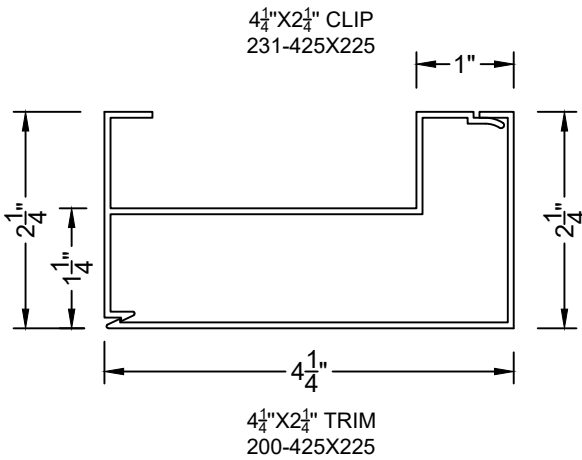
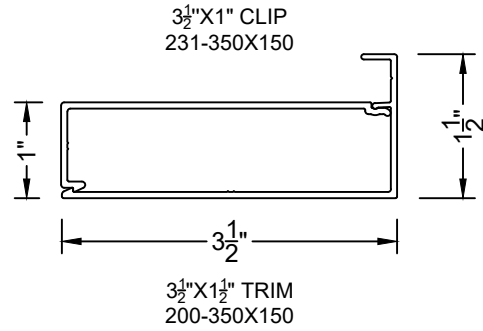
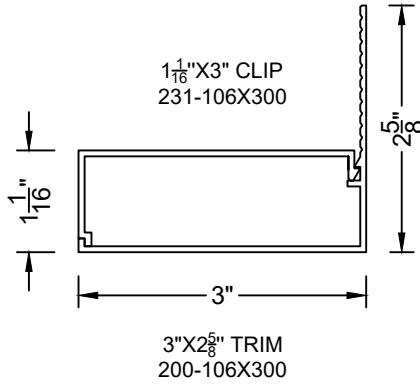


*TRIM IS CONTINUOUS PIECE (WITH FINISH)
STANDARD CLIP IS 3" LONG EACH PIECE (MILL FINISH)
(OPTIONAL CONTINUOUS CLIP)

SNAP TRIM (W/ Z CLIP)

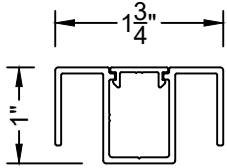


SNAP TRIM (W/ FIN)

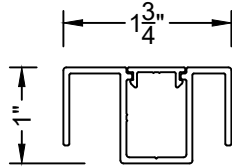


*TRIM IS CONTINUOUS PIECE (WITH FINISH)
STANDARD CLIP IS 3" LONG EACH PIECE (MILL FINISH)
(OPTIONAL CONTINUOUS CLIP)

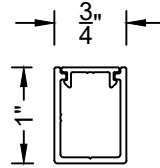
EXTERIOR TRIM & COVER



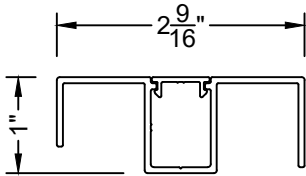
FOX TOWER
MULL TRIM
204-175X100M



FOX TOWER
JAMB TRIM
204-175X100J



FOX TOWER
U-SHAPE TRIM
204-075X100U

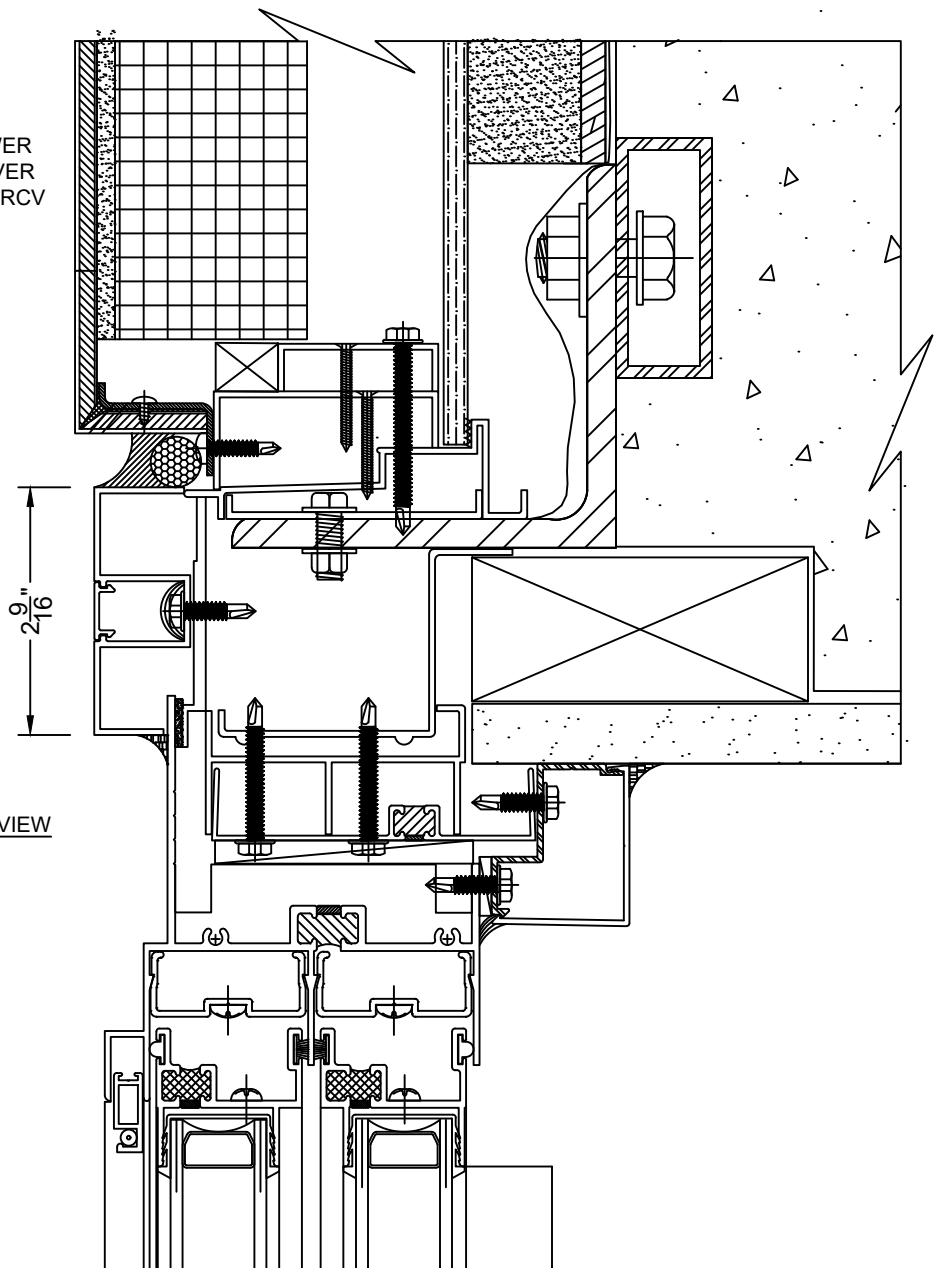


FOX TOWER
HEAD TRIM
204-256X100H



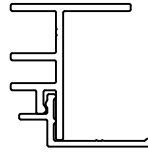
FOX TOWER
TRIM COVER
204-0603-TRCV

SAMPLE HEAD SIDE VIEW

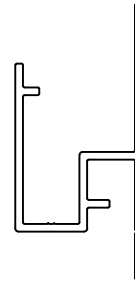


EXTERIOR PANEL RECEPTOR

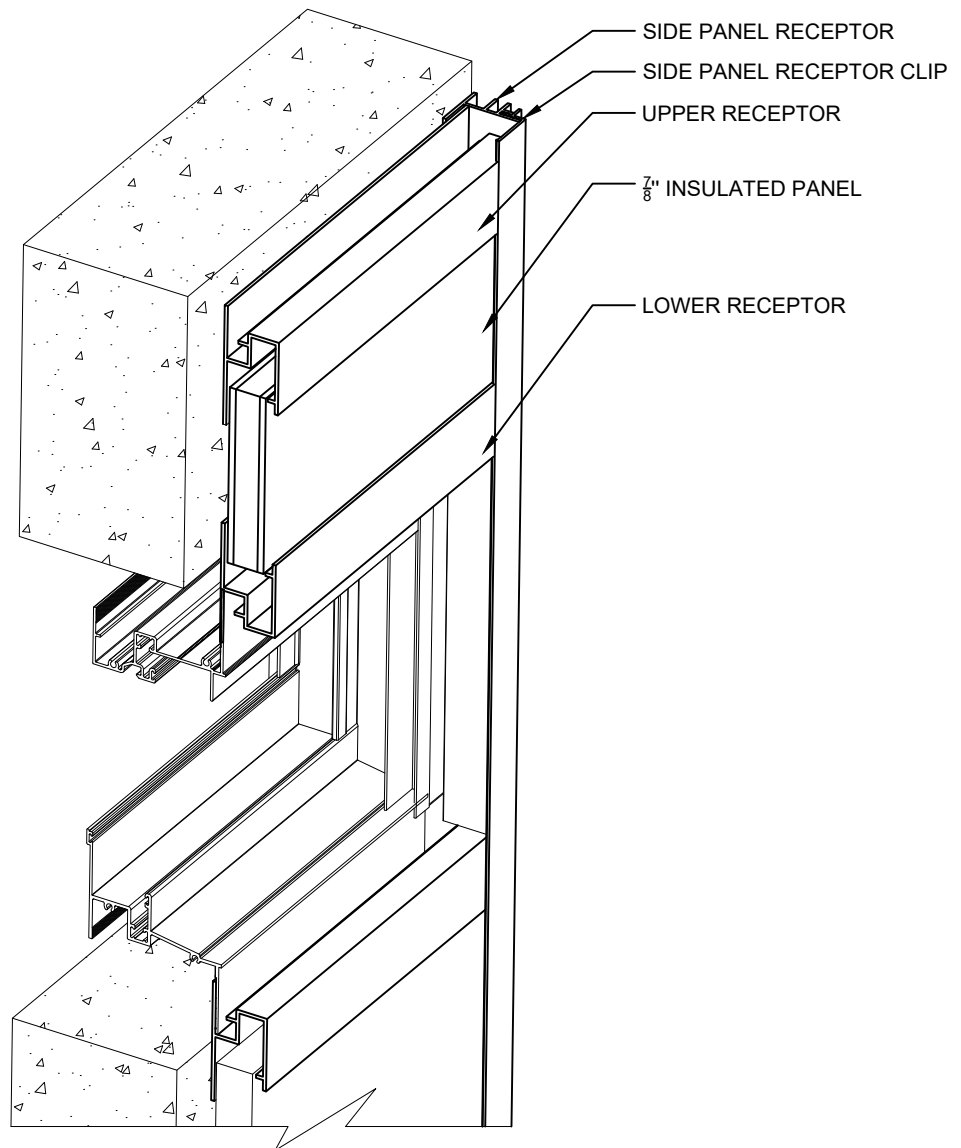
$\frac{7}{8}$ " INSULATED PANEL
SIDE RECEPTOR
3000-0875



$\frac{7}{8}$ " PANEL CLIP
3000-030-000136

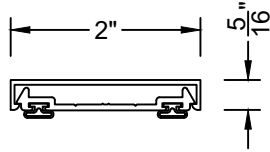


$\frac{7}{8}$ " INSULATED PANEL
UPPER & LOWER
RECEPTOR
3000-875-UL



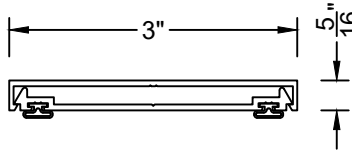
MULLION COVER & MULLION BASE

2" MULLION COVER
636-0000-3CV0



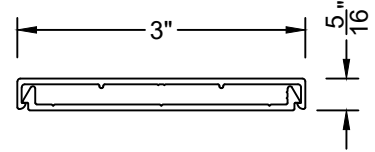
2" MULLION BASE
636-2020-2BS1

3" MULLION COVER
636-0000-3CV3



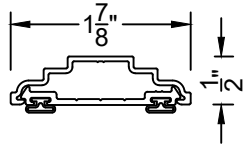
3" MULLION BASE
636-3000-3BS1

3" MULLION COVER (1)
636-3031-3CV1



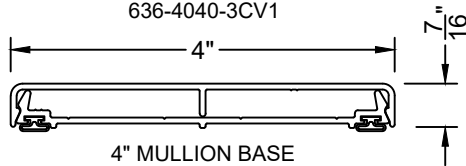
3" MULLION BASE(1)
636-3025-2BS1

1 7/8" MULLION COVER
636-1875-2CV1



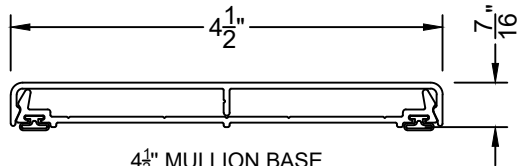
1 7/8" MULLION BASE
636-1875-2BS1

4" MULLION COVER
636-4040-3CV1



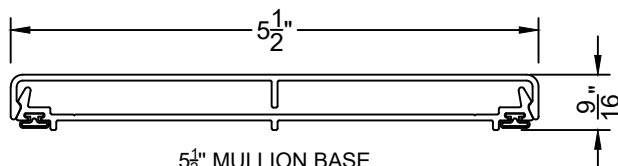
4" MULLION BASE
636-4000-2BS1

4 1/2" MULLION COVER
636-0000-3CV4

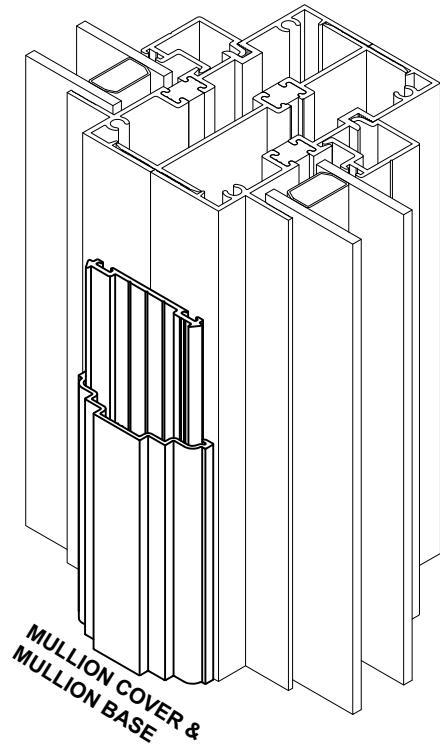


4 1/2" MULLION BASE
636-4500-3BS1

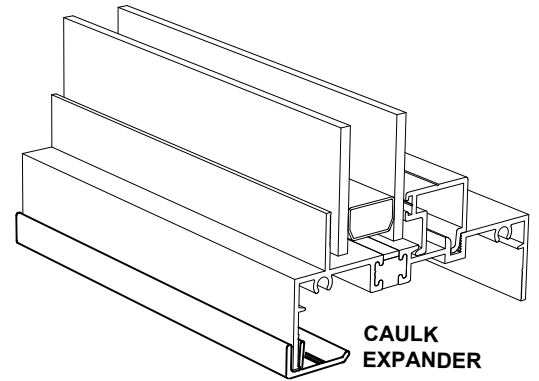
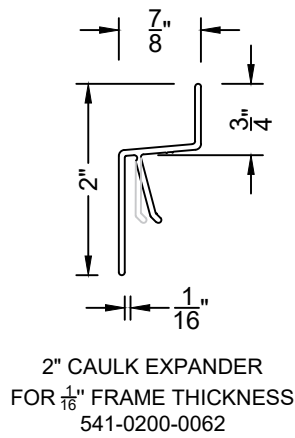
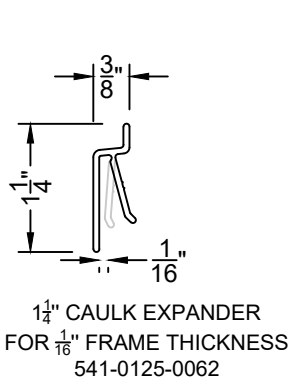
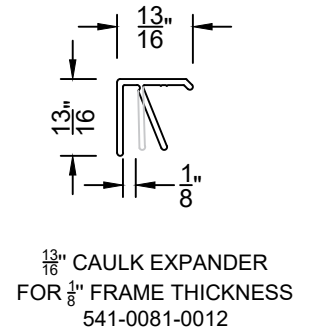
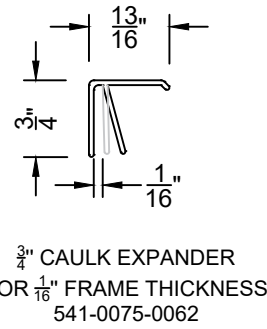
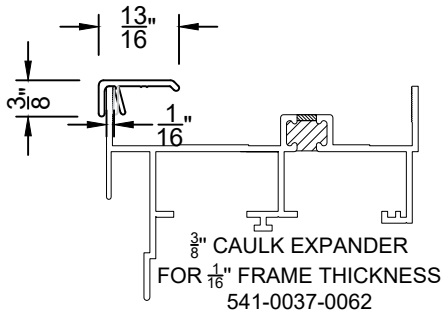
5 1/2" MULLION COVER
636-5500-2CV1



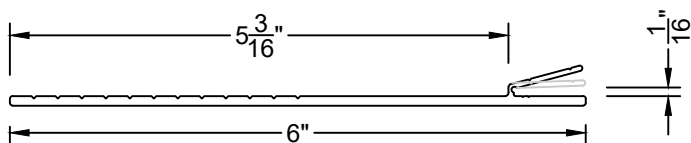
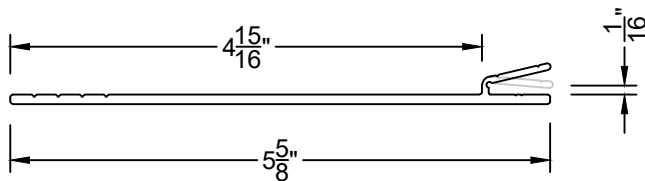
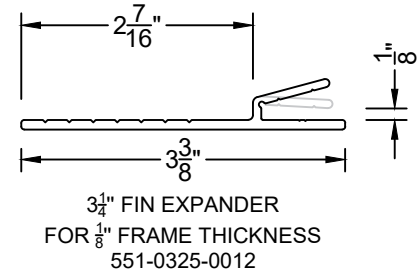
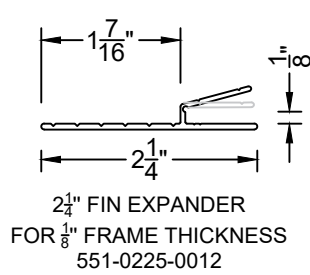
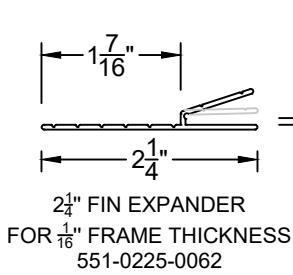
5 1/2" MULLION BASE
636-5500-2BS1



CAULK EXPANDER

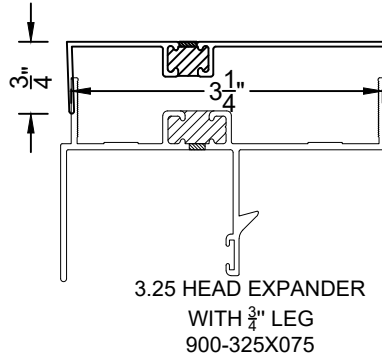
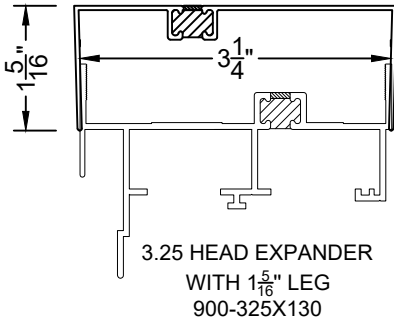


FIN EXPANDER

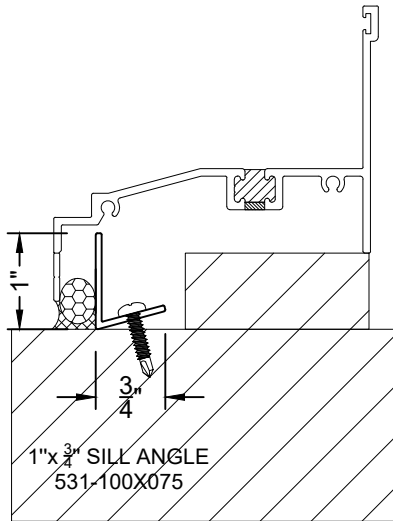


VER: 2024-09

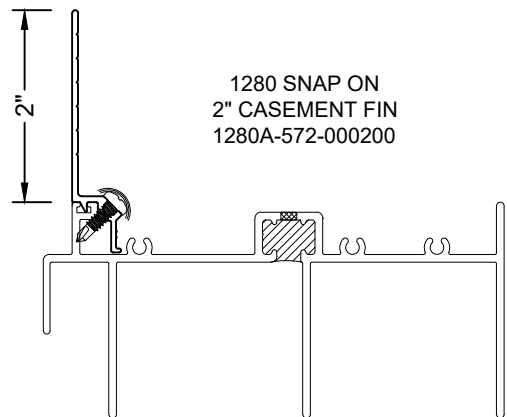
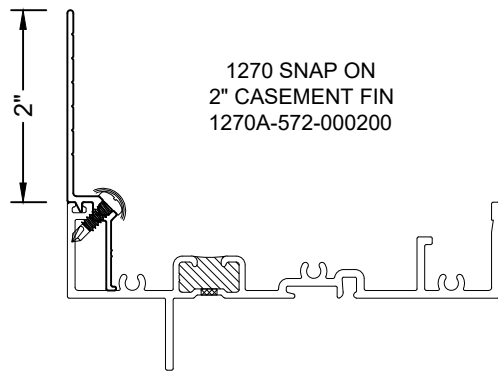
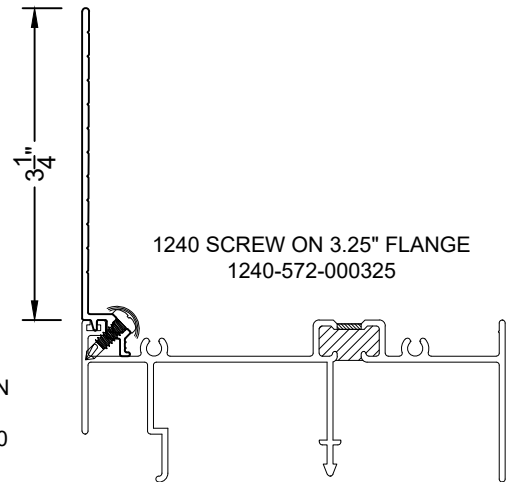
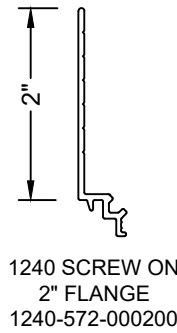
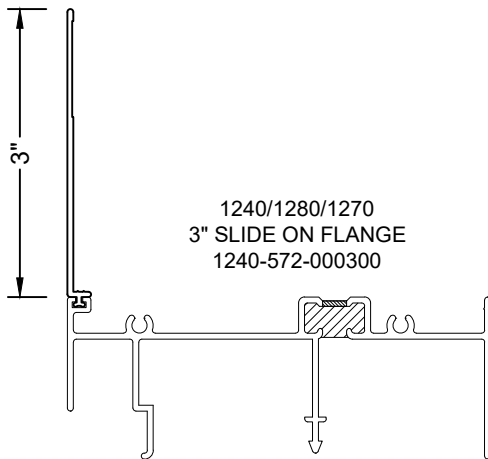
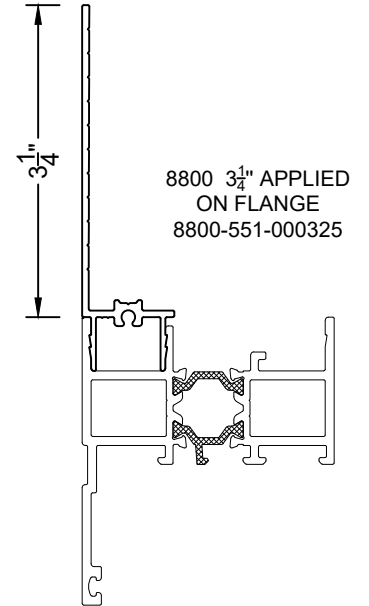
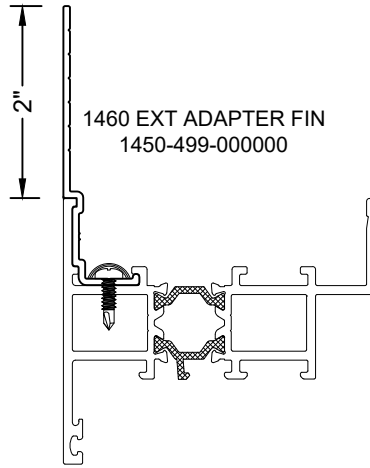
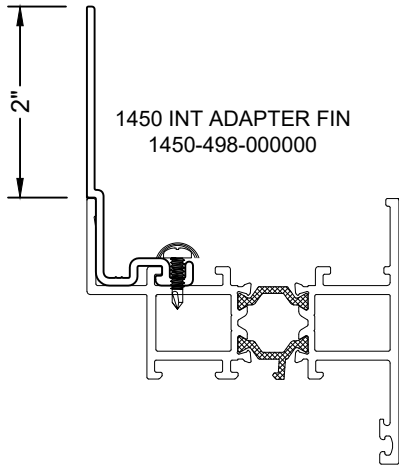
HEAD EXPANDER



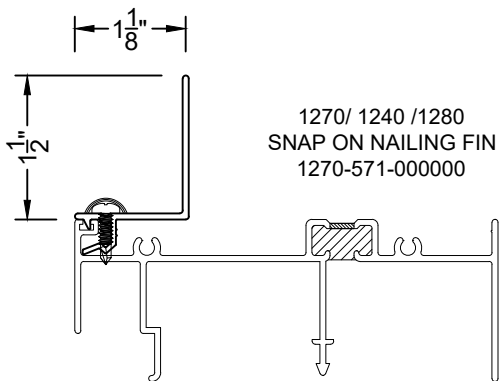
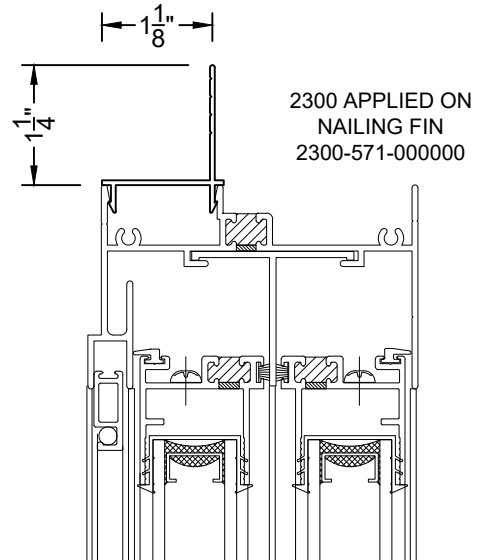
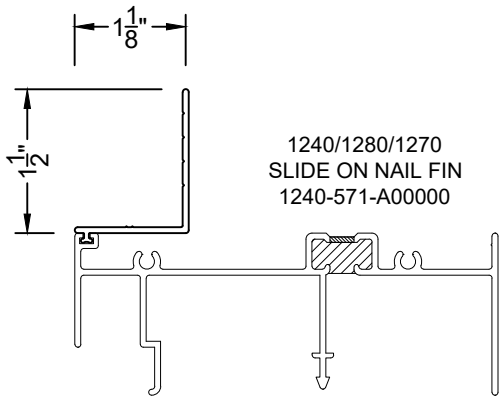
SILL ANGLE



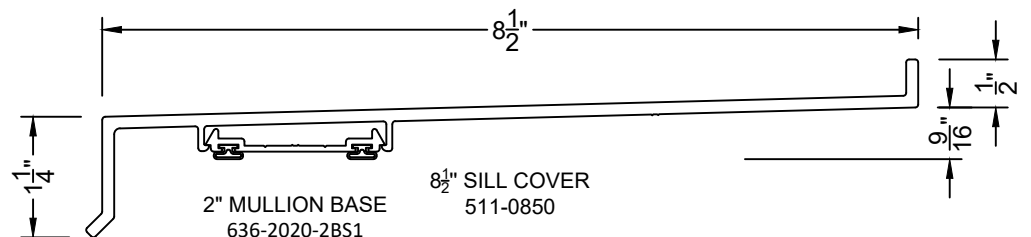
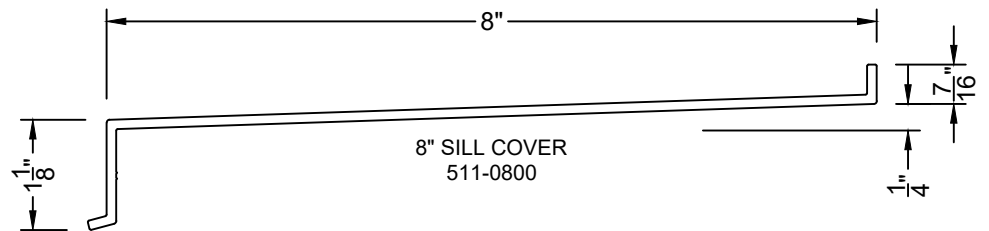
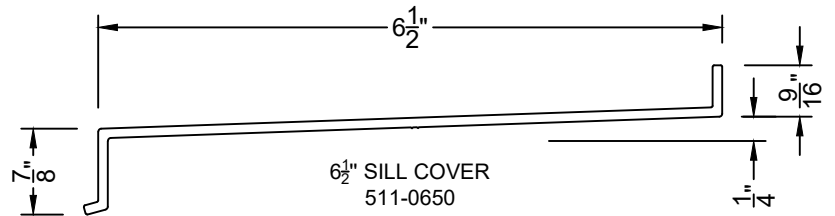
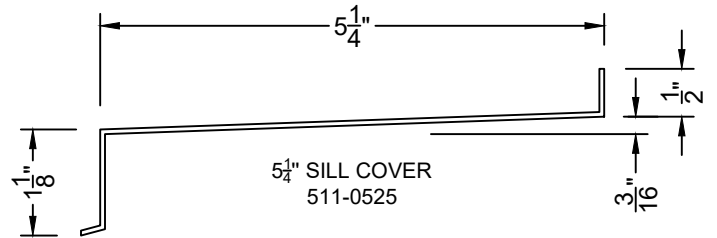
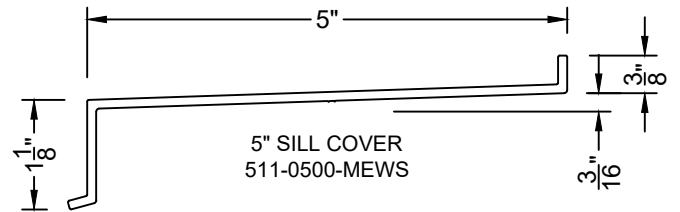
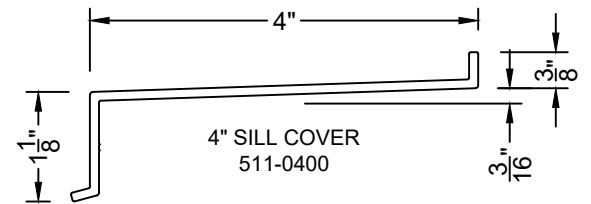
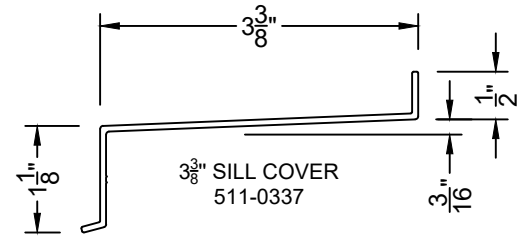
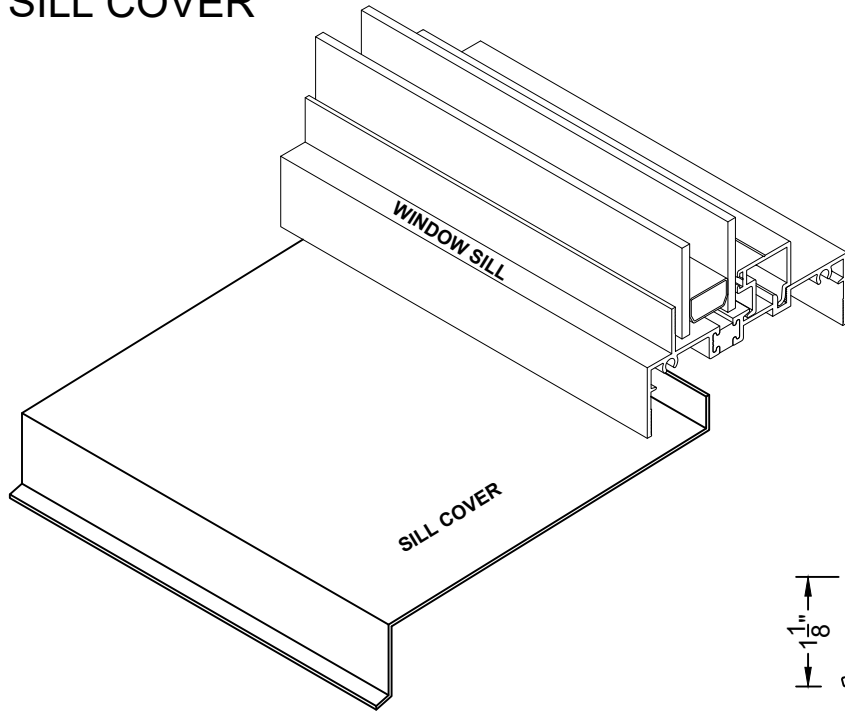
APPLIED ON CASEMENT FLANGE

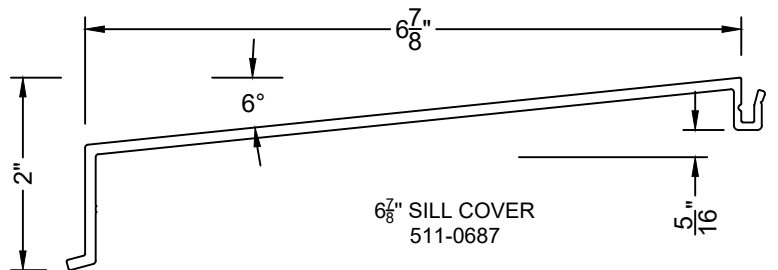
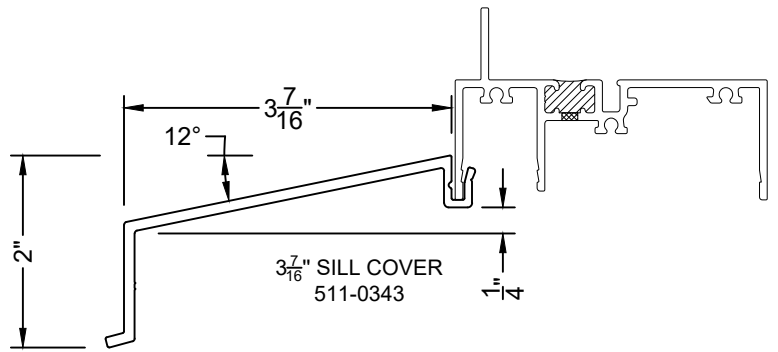
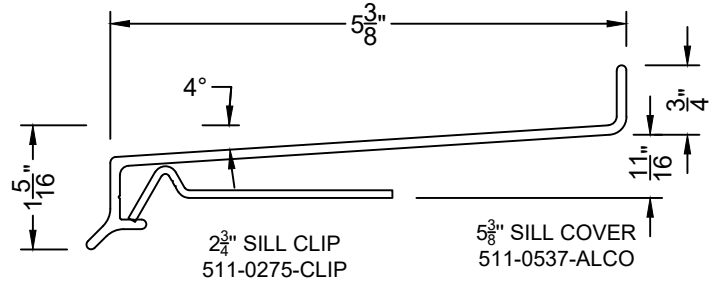
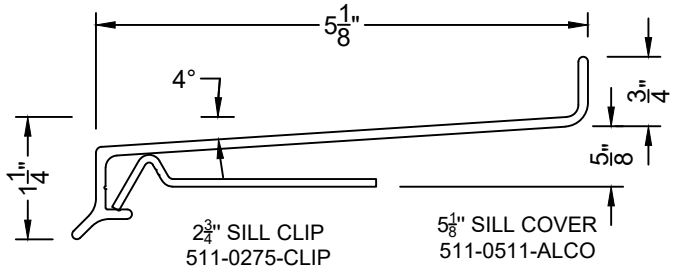
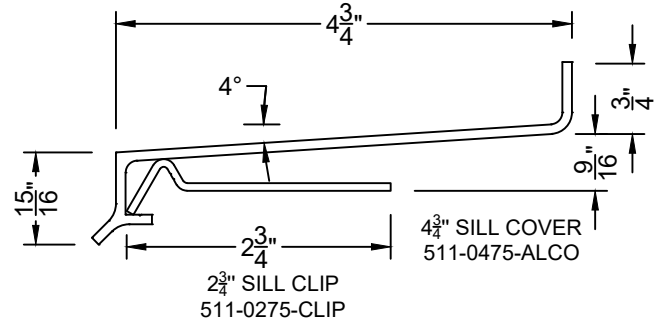
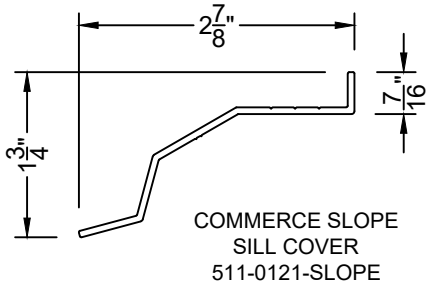
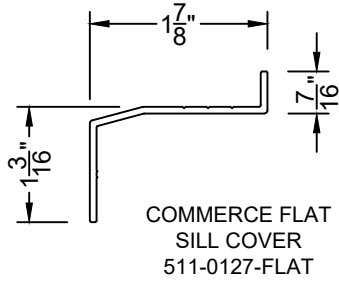


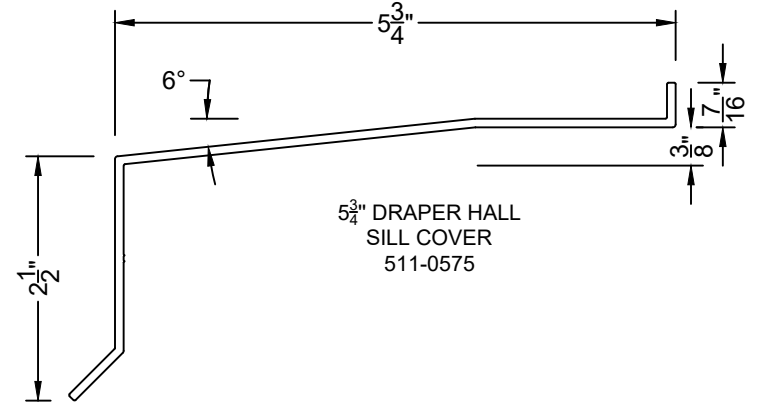
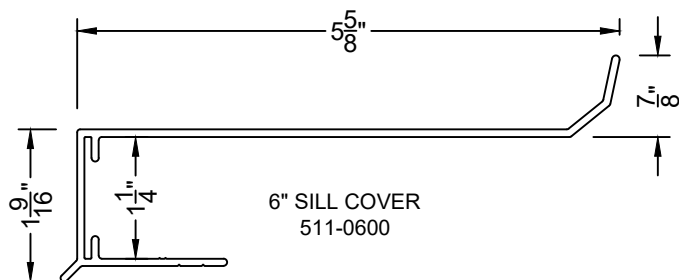
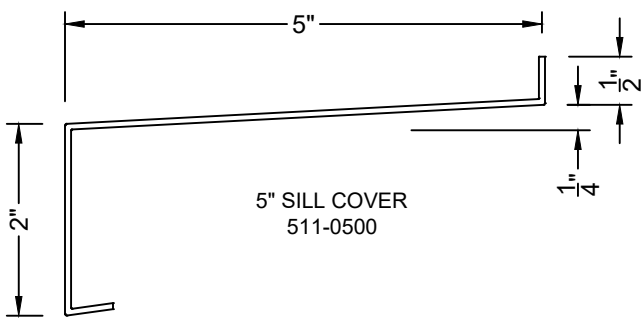
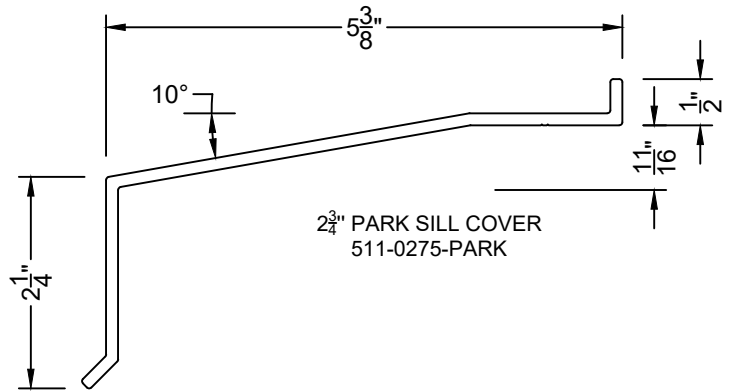
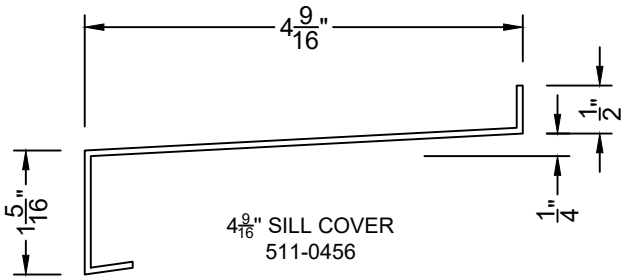
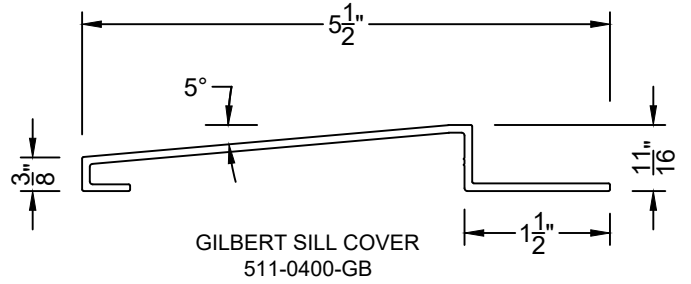
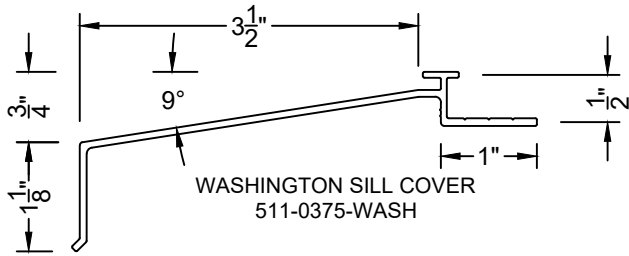
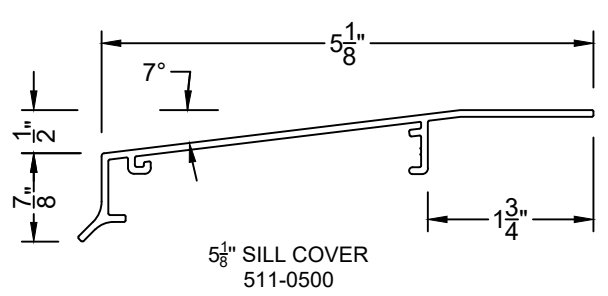
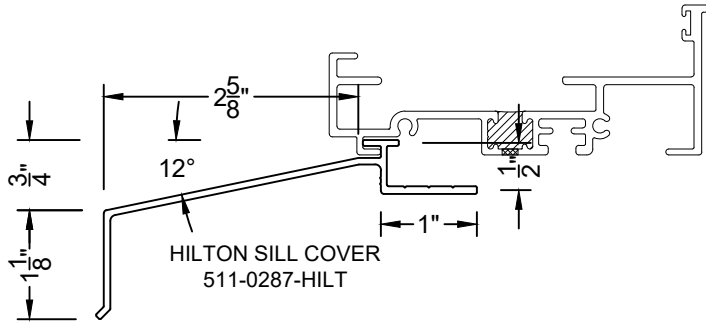
APPLIED ON NAILING FIN



SILL COVER

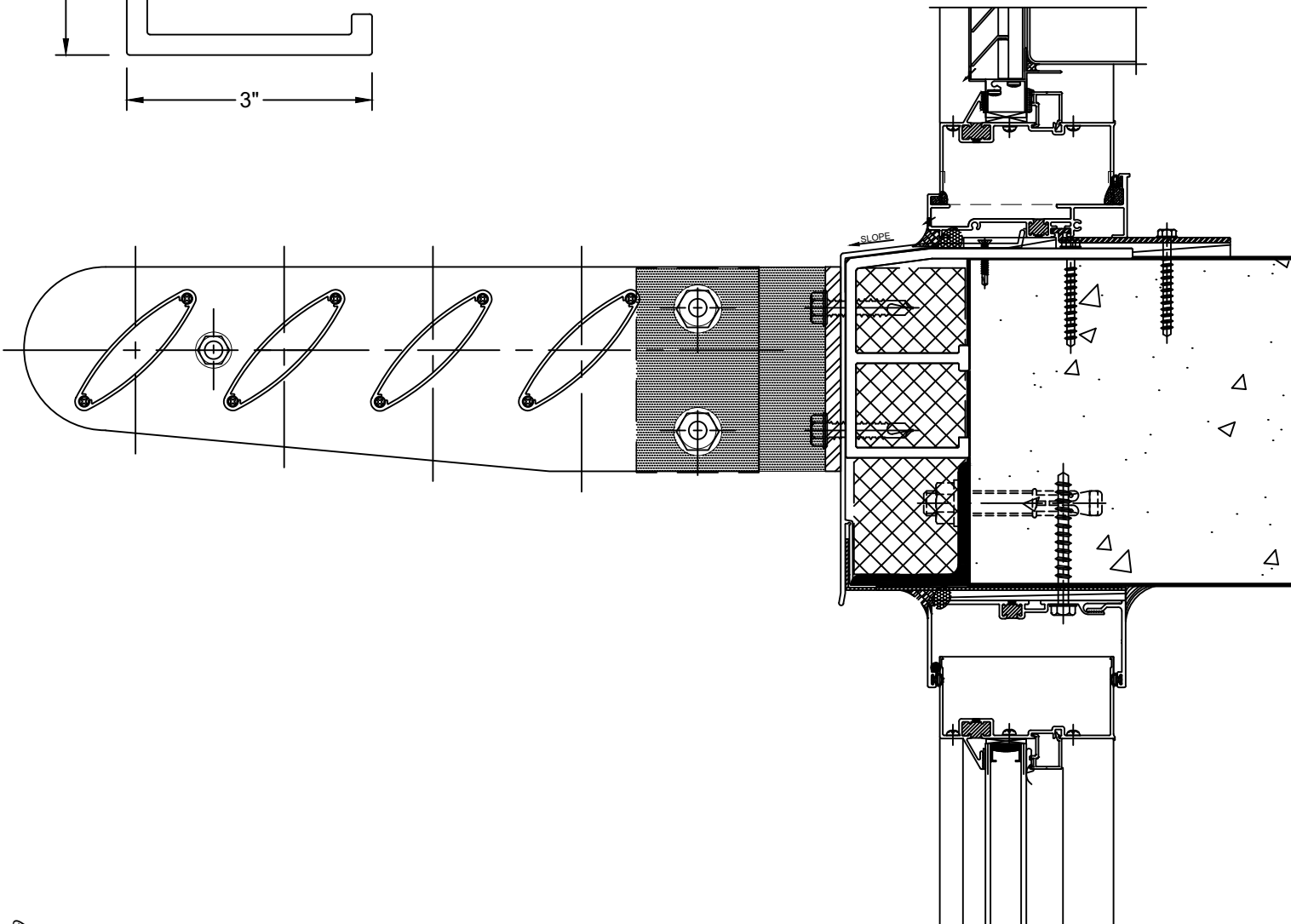
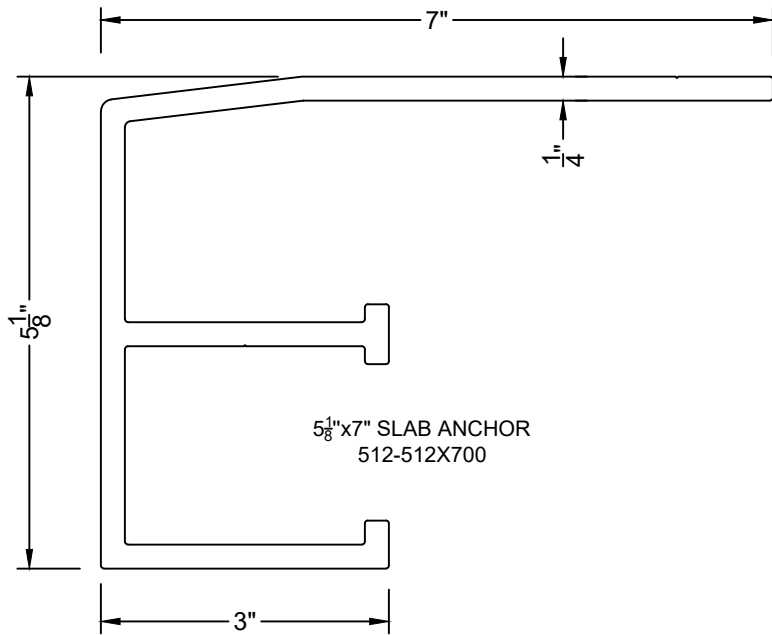




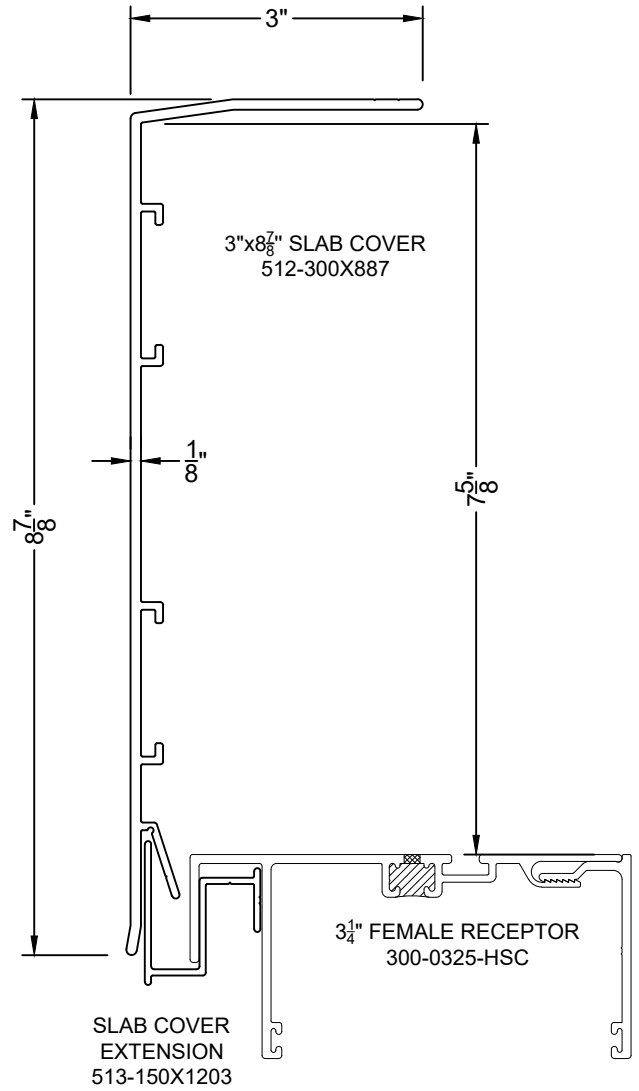
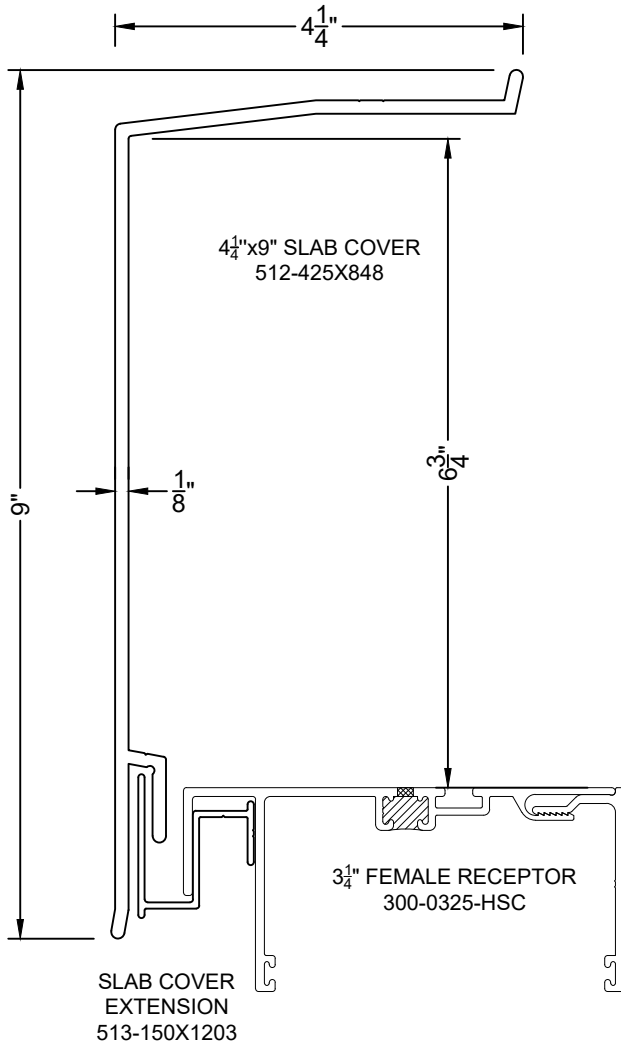


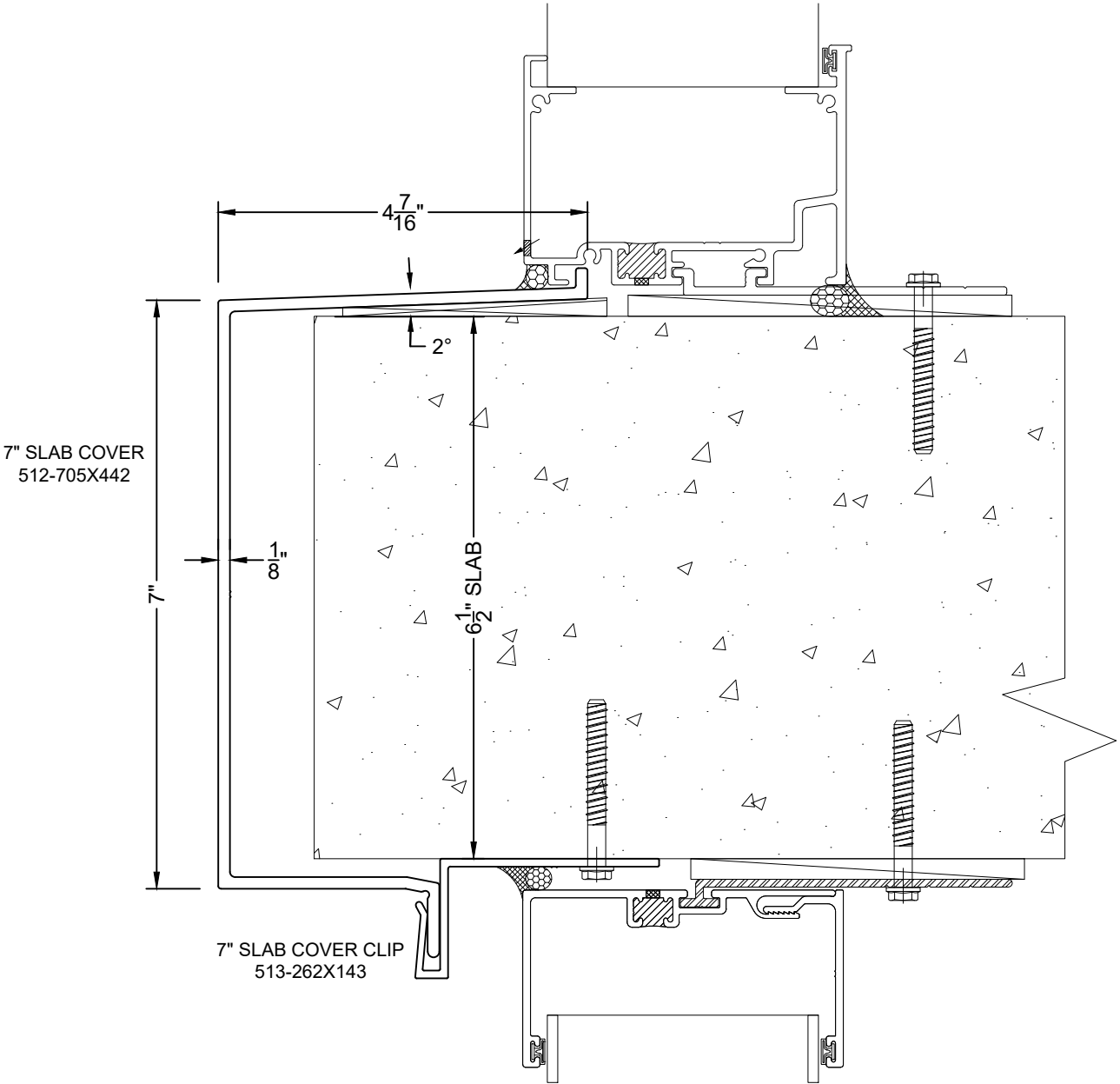
VER: 2024-09

SLAB ANCHOR FOR SUNSHADE



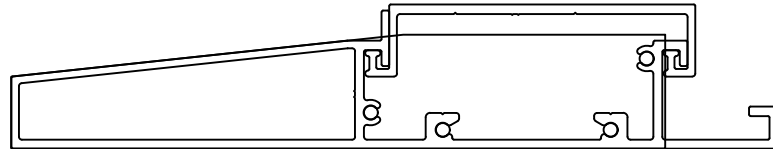
SLAB COVER



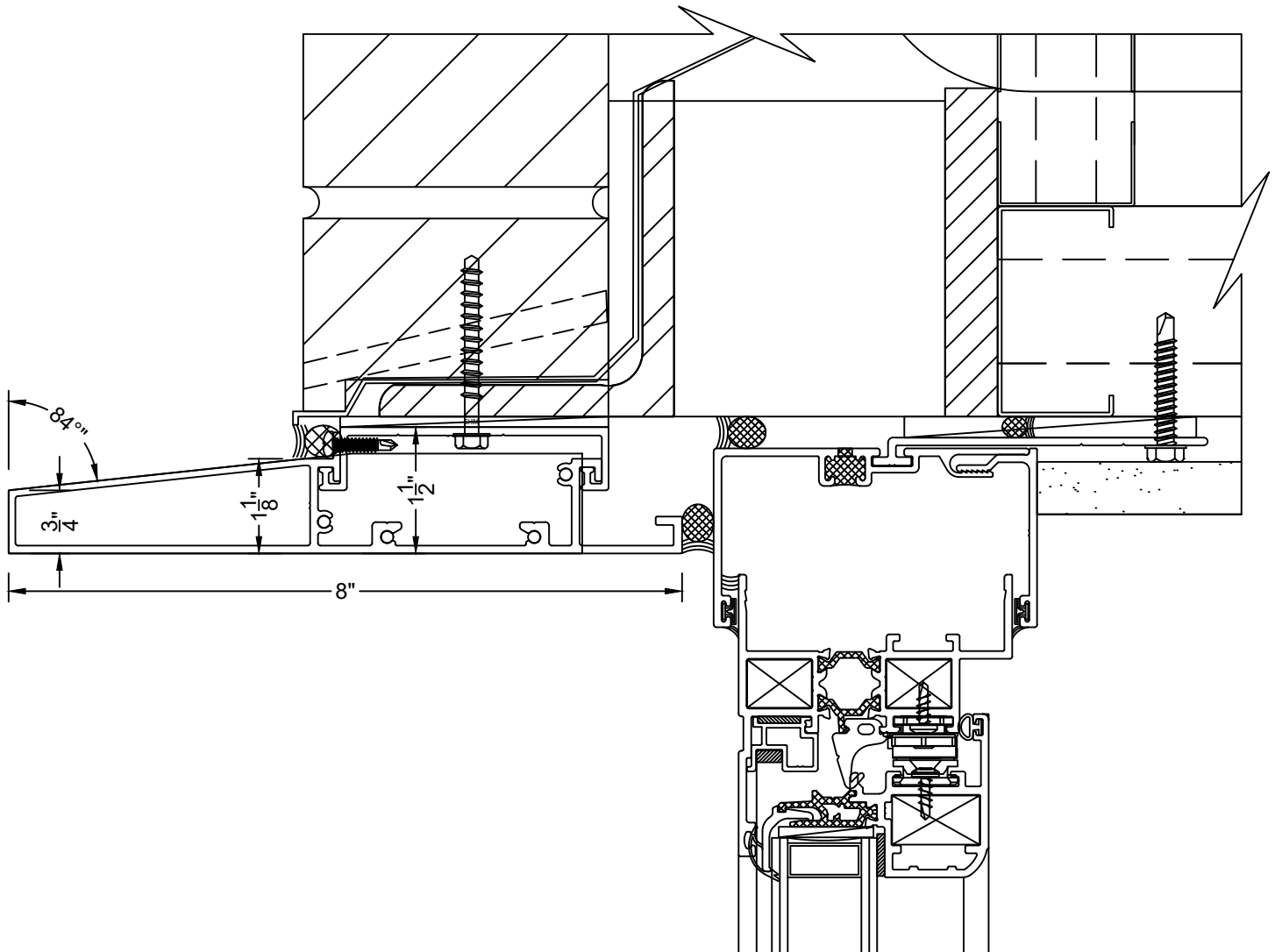


SHADOW BOX

GILBERT SHADOW BOX CLIP
512-318X075

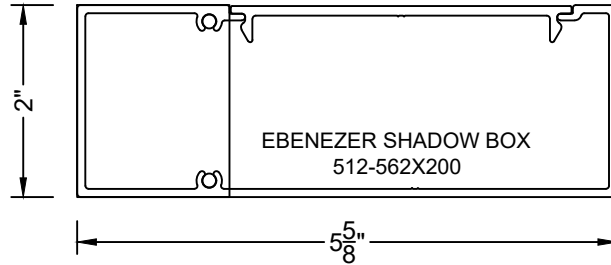


GILBERT SHADOW BOX
512-800X112

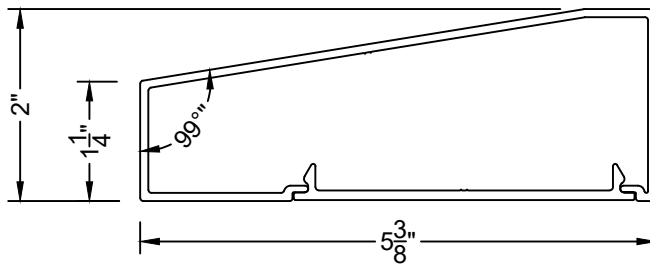


SHADOW BOX

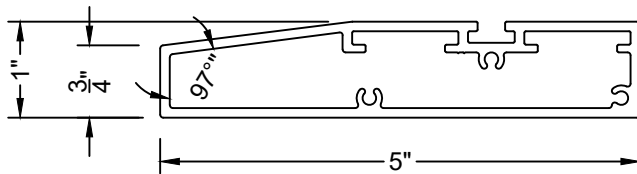
EBENEZER SHADOW BOX CLIP
512-355-CLIP



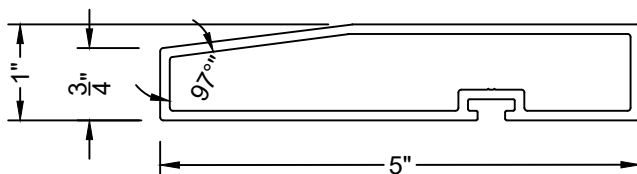
EBENEZER SHADOW BOX SILL
512-537X200



EBENEZER SHADOW BOX CLIP
512-355-CLIP

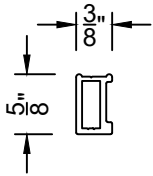


PARK PL SHADOW BOX
512-500X100-HJ

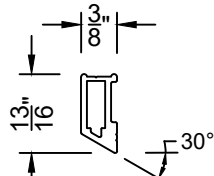


PARK PL SHADOW BOX
512-500X100-S

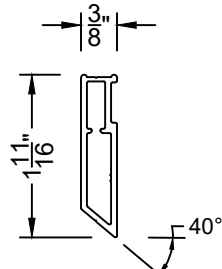
MUNTIN FRAME



$\frac{3}{8}$ " X $\frac{5}{16}$ " FLAT
MUNTIN FRAME
85-037X062

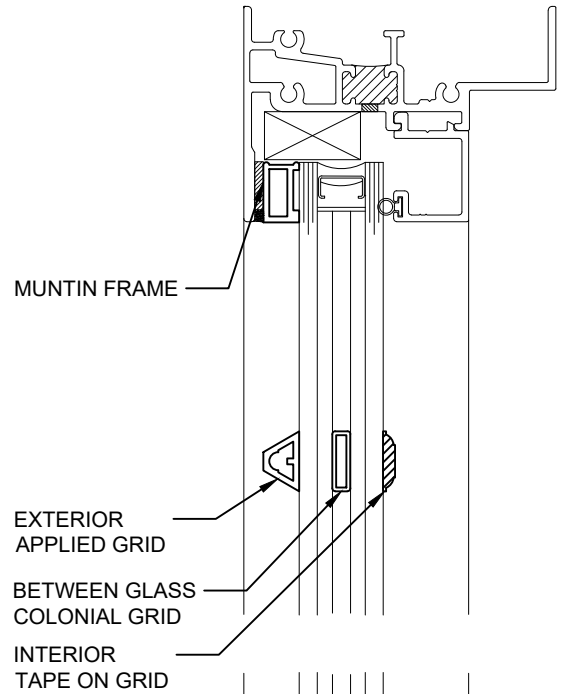


$\frac{3}{8}$ " X $\frac{13}{16}$ " 30°
MUNTIN FRAME
87-037X081

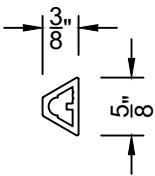


$\frac{3}{8}$ " X $1\frac{1}{16}$ " 40°
MUNTIN FRAME
89-037X168

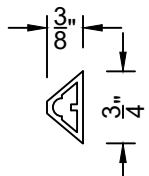
*FOR 89-037X168,
PERIMETER MUNTIN FRAME ONLY
NO EXTERIOR APPLIED GRID AVAILABLE
BETWEEN FRAME



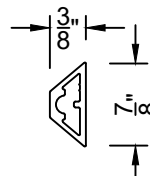
EXTERIOR APPLIED GRID



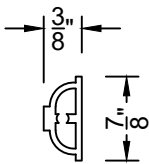
$\frac{5}{8}$ " APPLIED GRID
71-062



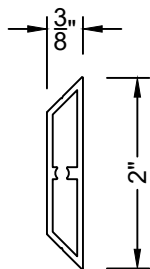
$\frac{3}{4}$ " APPLIED GRID
71-075



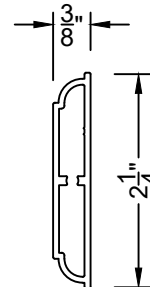
$\frac{7}{8}$ " APPLIED GRID
71-087



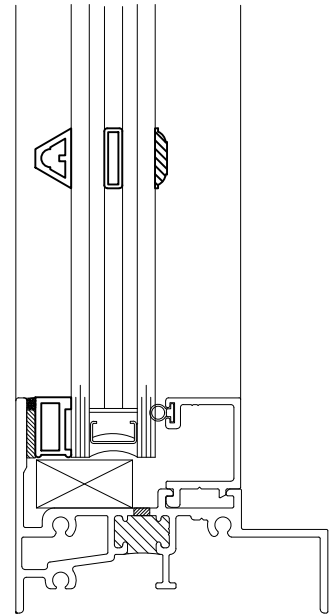
$\frac{7}{8}$ " APPLIED GRID
70-087



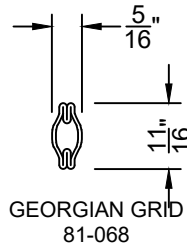
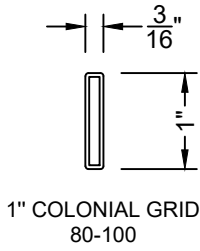
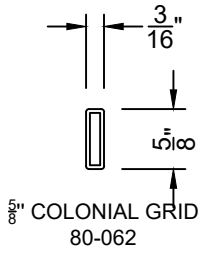
2" APPLIED GRID
71-200



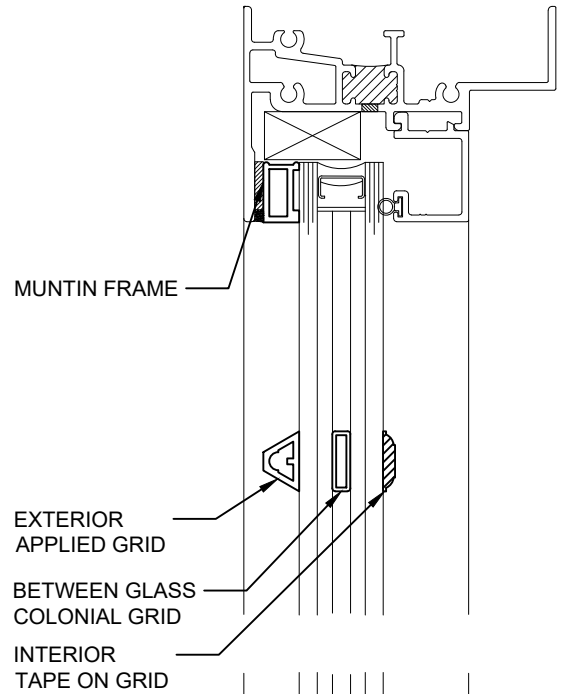
2 $\frac{1}{4}$ " APPLIED GRID
70-225



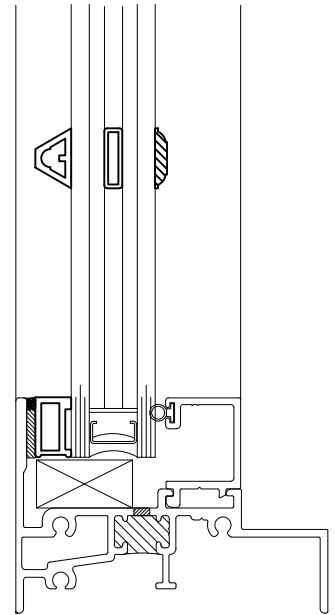
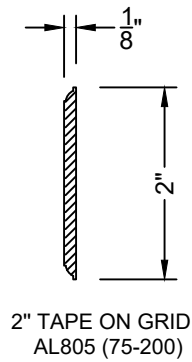
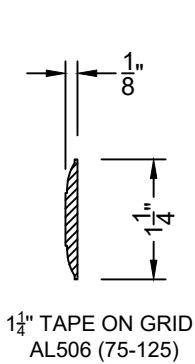
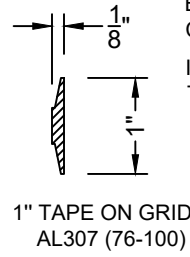
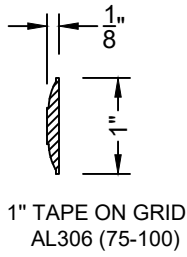
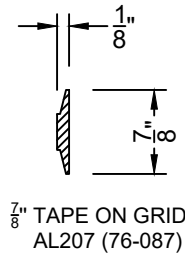
BETWEEN GLASS GRID



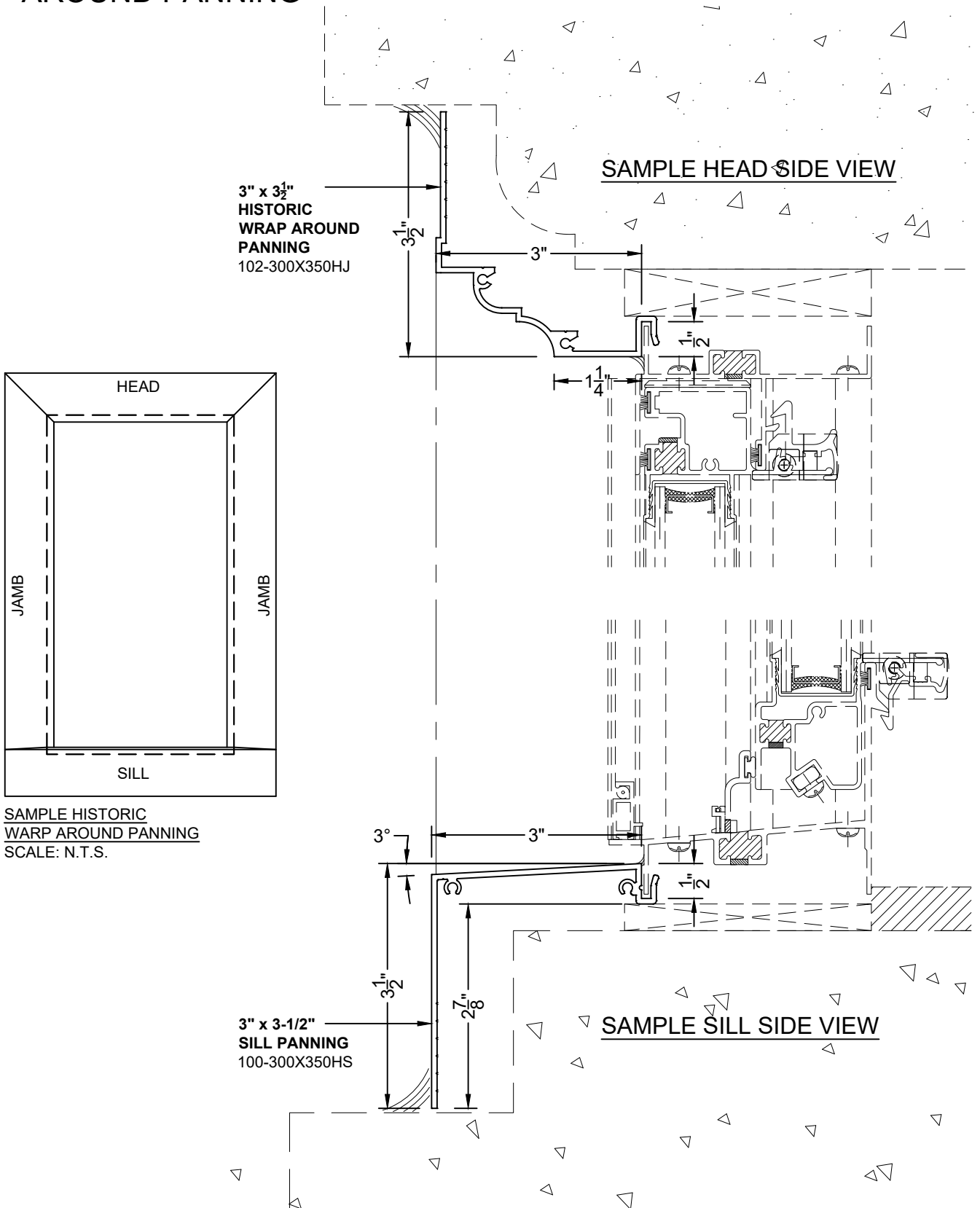
*ONLY AVAILABLE
FOR 1" IGU



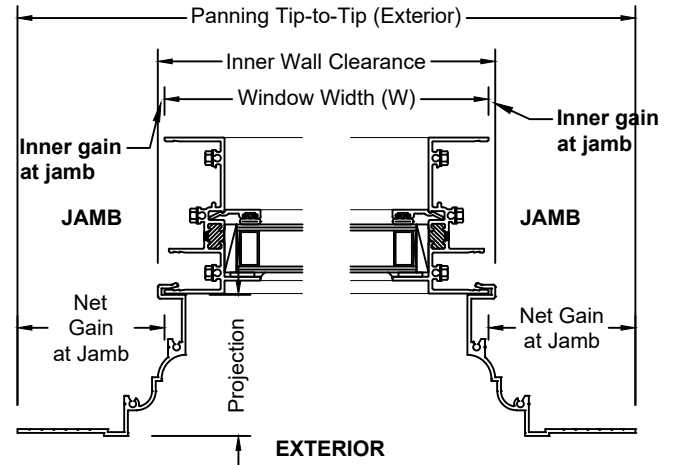
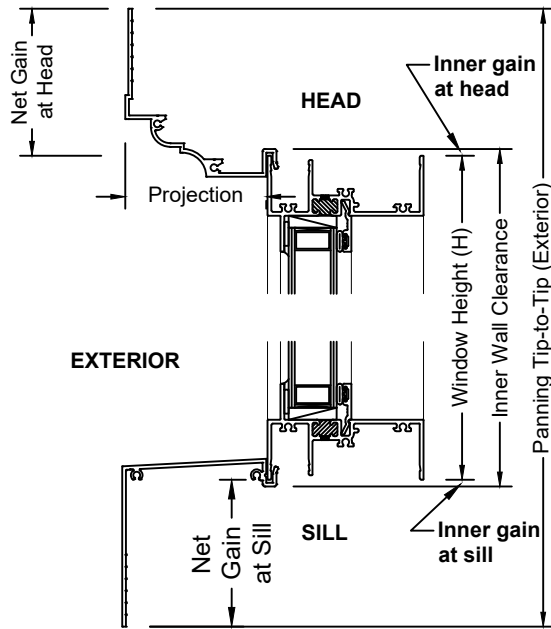
INTERIOR TAPE ON GRID



WRAP AROUND PANNING

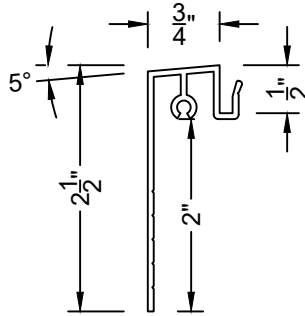


SAMPLE HISTORIC
WRAP AROUND PANNING
SCALE: N.T.S.

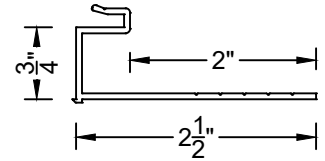


| | PANNING SYSTEM | NET GAIN OVER WINDOW SIZE | | | PANNING TIP-TO-TIP | | INNER WALL GAIN OVER WINDOW | | | INNER WALL CLEARANCE | | PROJECTION |
|----|-------------------------------|---------------------------|------|------|--------------------|----------|-----------------------------|------|------|----------------------|--------|------------|
| | | HEAD | SILL | JAMB | WIDTH | HEIGHT | HEAD | SILL | JAMB | WIDTH | HEIGHT | |
| 1 | ¾" x 2½" Wrap Around Panning | 2⅛" | 2⅛" | 2⅛" | W + 4⅛" | H + 4¼" | ⅛" | ⅛" | ⅛" | W + ¼" | H + ¼" | ¾" |
| 2 | 2" x 2½" Wrap Around Panning | 2⅛" | 2⅛" | 2⅛" | W + 4⅛" | H + 4⅛" | ⅛" | ⅛" | ⅛" | W + ¼" | H + ¼" | 2" |
| 3 | 2" x 3" Wrap Around Panning | 2⅞" | 2⅞" | 2⅞" | W + 5⅛" | H + 5⅛" | ⅛" | ⅛" | ⅛" | W + ¼" | H + ¼" | 2" |
| 4 | 2" x 3" H/S & 2" x 2" Jamb WA | 2⅞" | 2⅞" | 1⅞" | W + 3⅛" | H + 5⅛" | ⅛" | ⅛" | ⅛" | W + ¼" | H + ¼" | 2" |
| 5 | 3" x 3" Wrap Around Panning | 2⅞" | 2⅞" | 2⅞" | W + 5⅛" | H + 5⅛" | ⅛" | ⅛" | ⅛" | W + ¼" | H + ¼" | 3" |
| 6 | 3" x 3½" Wrap Around Panning | 3⅛" | 3⅛" | 3⅛" | W + 6⅛" | H + 6⅛" | ⅛" | ⅛" | ⅛" | W + ¼" | H + ¼" | 3" |
| 7 | 4" x 3½" Wrap Around Panning | 3⅛" | 3⅛" | 3⅛" | W + 6⅛" | H + 6⅛" | ⅛" | ⅛" | ⅛" | W + ¼" | H + ¼" | 4" |
| 8 | 4" x 4½" Wrap Around Panning | 4⅛" | 4⅛" | 4⅛" | W + 8⅛" | H + 8⅛" | ⅛" | ⅛" | ⅛" | W + ¼" | H + ¼" | 4" |
| 9 | 1¼" x 1⅝" Jackson WA Panning | ⅜" | 2⅞" | ⅜" | W + ⅜" | H + 2¾" | ⅛" | ⅛" | ⅛" | W + ¼" | H + ¼" | 1¾" |
| 10 | 1⅜" x 3" LaVogue WA Panning | 2⅞" | 2⅞" | 2⅞" | W + 5⅛" | H + 5⅛" | ⅛" | ⅛" | ⅛" | W + ¼" | H + ¼" | 1⅜" |
| 11 | 3" x 2¼" Historic WA Panning | 1⅜" | 3⅛" | 1⅜" | W + 3⅝" | H + 4⅞" | ⅛" | ⅛" | ⅛" | W + ¼" | H + ¼" | 3" |
| 12 | 3" x 3" Historic WA Panning | 2⅞" | 3⅛" | 2⅞" | W + 5⅛" | H + 5⅝" | ⅛" | ⅛" | ⅛" | W + ¼" | H + ¼" | 3" |
| 13 | 3" x 3½" Historic WA Panning | 3⅛" | 3⅛" | 3⅛" | W + 6⅛" | H + 6⅛" | ⅛" | ⅛" | ⅛" | W + ¼" | H + ¼" | 3" |
| 14 | Maple Commons Panning | 1⅜" | 3⅛" | 1⅜" | W + 6¾" | H + 4⅞" | ⅛" | ⅛" | ⅛" | W + ¼" | H + ¼" | 2⅝" |
| 15 | Maple Commons W/LEG | 7⅛" | 3⅛" | 7⅛" | W + 14¼" | H + 10⅜" | ⅛" | ⅛" | ⅛" | W + ¼" | H + ¼" | 2⅝" |
| 16 | Wilson WA Panning | ⅜" | ¼" | ⅜" | W + ⅜" | H + ⅞" | ⅛" | ⅛" | ⅛" | W + ¼" | H + ¼" | 1¾" |
| 17 | Woodmont WA Panning | ⅜" | ¼" | ⅜" | W + ⅜" | H + ⅞" | ⅛" | ⅛" | ⅛" | W + ¼" | H + ¼" | 3¼" |

① $\frac{3}{4}$ " x $2\frac{1}{2}$ " Wrap Around Panning

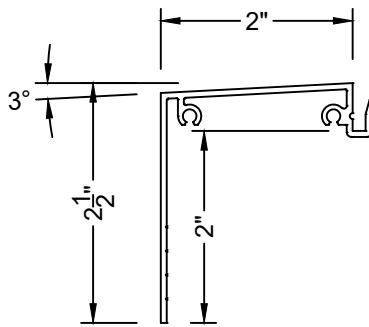


$\frac{3}{4}$ "X $2\frac{1}{2}$ " HEAD/SILL PANNING
100-075X250HS

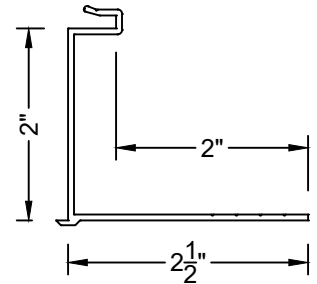


$\frac{3}{4}$ "X $2\frac{1}{2}$ " JAMB PANNING
100-075X250J

② 2" x $2\frac{1}{2}$ " Wrap Around Panning

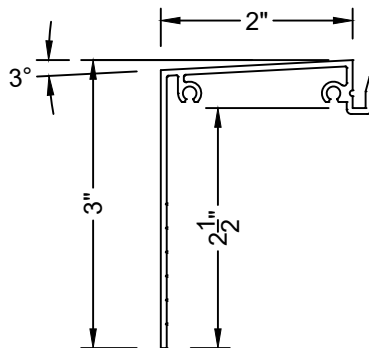


2"X $2\frac{1}{2}$ " HEAD/SILL PANNING
100-200X250HS

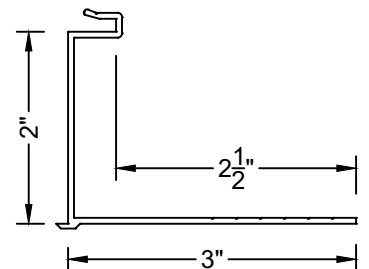


2"X $2\frac{1}{2}$ " JAMB PANNING
100-200X250J

③ 2" x 3" Wrap Around Panning

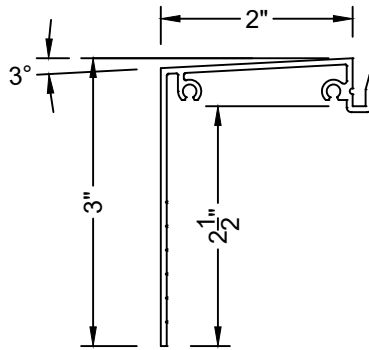


2"X3" HEAD/SILL PANNING
100-200X300HS

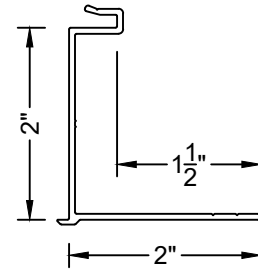


2"X3" JAMB PANNING
100-200X300J

④ 2" x 3" HEAD/SILL & 2" x 2" JAMB
Wrap Around Panning

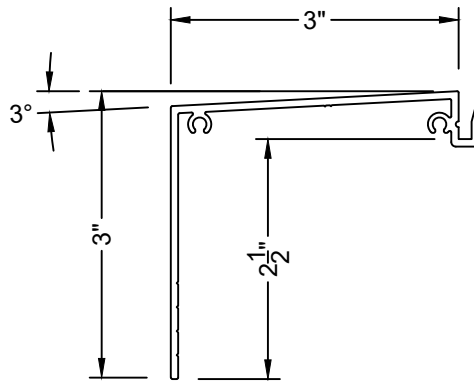


2"X3" HEAD/SILL PANNING
100-200X300HS

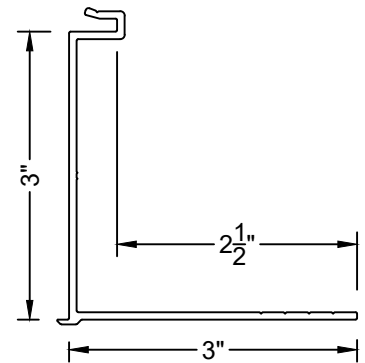


2"X2" JAMB PANNING
100-200X200J

⑤ 3" x 3" Wrap Around Panning

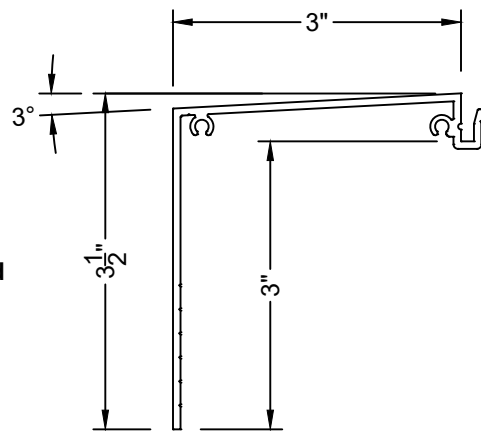


3"X3" HEAD/SILL PANNING
100-300X300HS

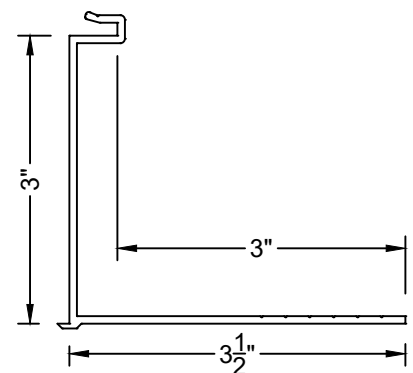


3"X3" JAMB PANNING
100-300X300J

⑥ 3" x 3 1/2" Wrap Around Panning

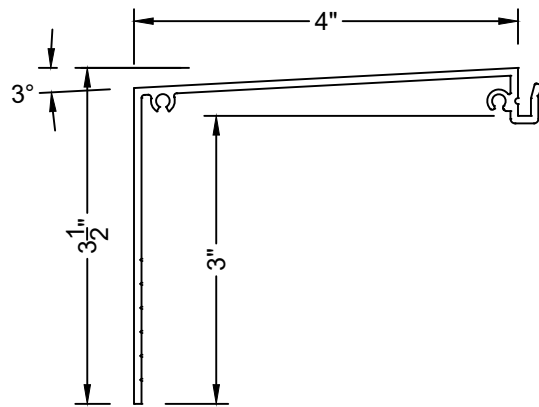


3X3 1/2" HEAD/SILL PANNING
100-300X350HS

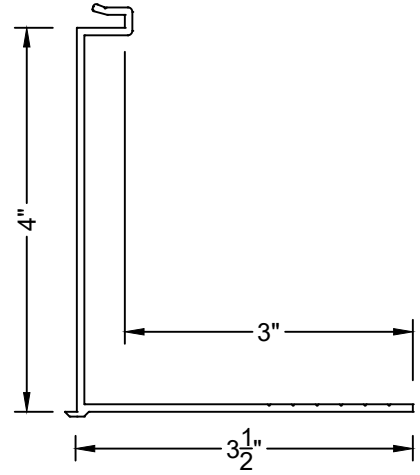


3X3 1/2" JAMB PANNING
100-300X350J

7 4" x 3½" Wrap Around Panning

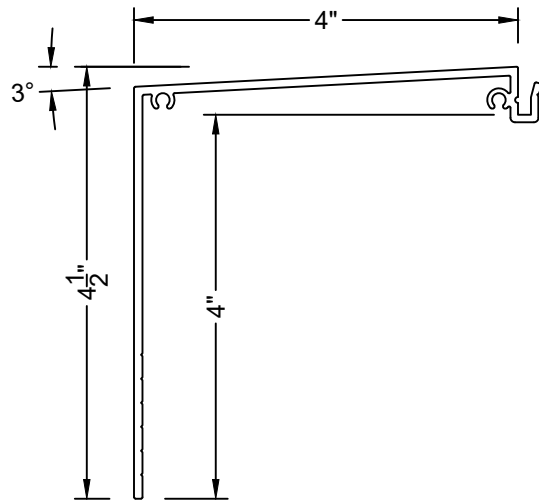


4"X3½" HEAD/SILL PANNING
100-400X350HS

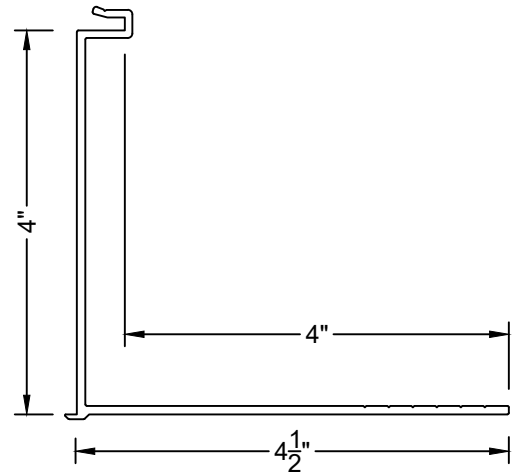


4"X3½" JAMB PANNING
100-400X350J

8 4" x 4½" Wrap Around Panning

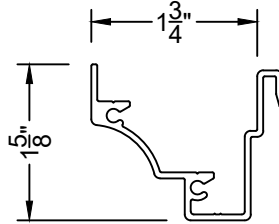


4"X4½" HEAD/SILL PANNING
100-400X450HS

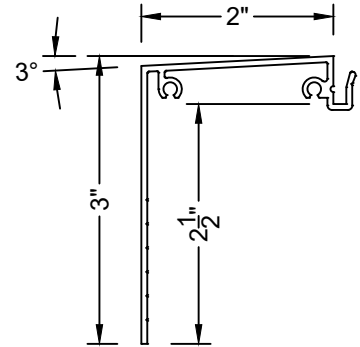


4"X4½" JAMB PANNING
100-400X450J

9 $1\frac{3}{4}$ " x $1\frac{5}{8}$ " Jackson WA Panning

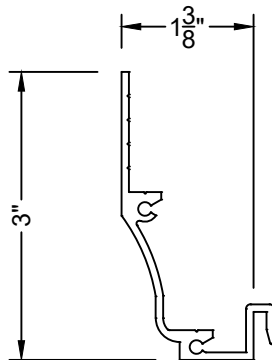


$1\frac{3}{4}$ "X $1\frac{5}{8}$ " JACKSON
HEAD/JAMB PANNING
102-175X162HJ-J

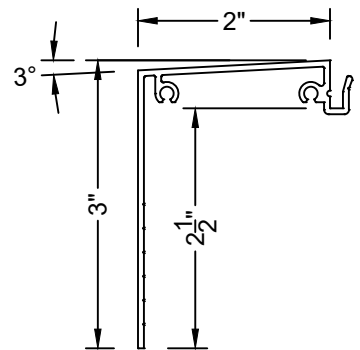


2"X3" SILL PANNING
100-200X300HS

10 $1\frac{3}{8}$ " x 3" LaVogue WA Panning



$1\frac{3}{8}$ "x3" LA VOGUE
HEAD/JAMB PANNING
102-137X300HJ-V

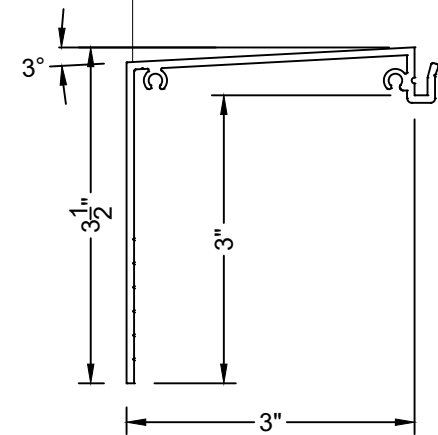
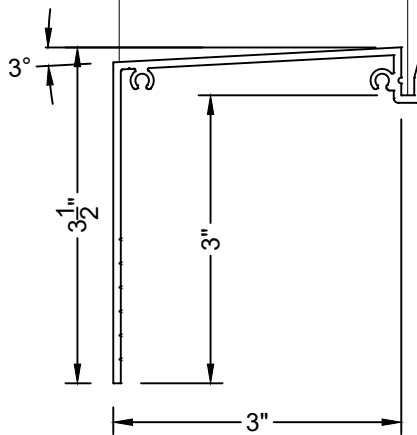
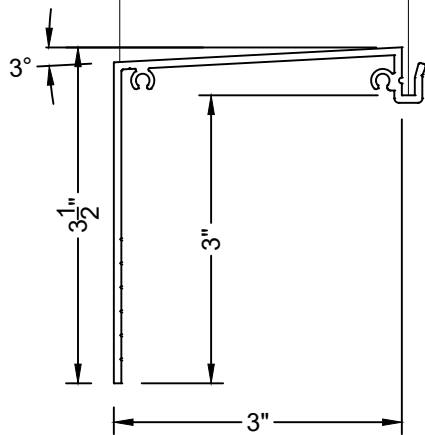
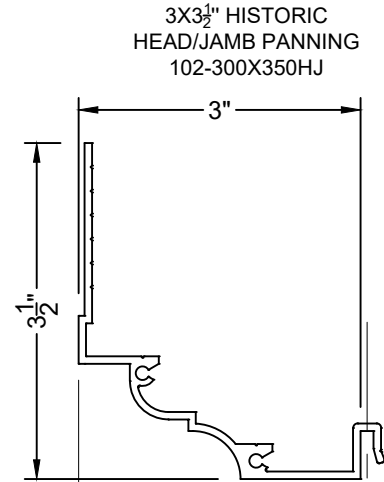
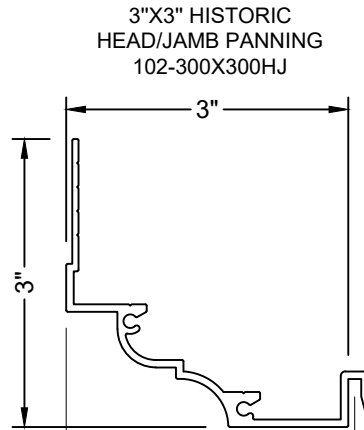
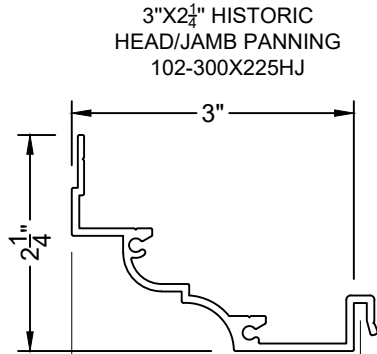


2X3 SILL PANNING
100-200X300HS

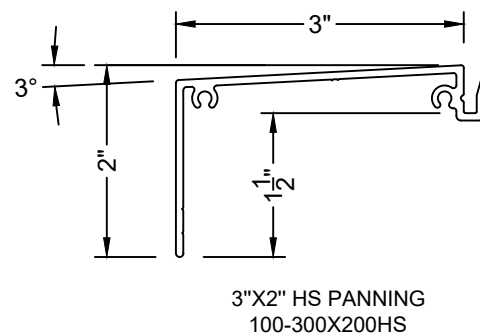
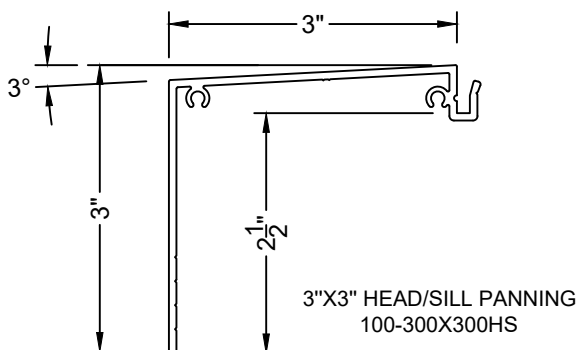
⑪ 3" x 2¹/₄" Historic WA Panning

⑫ 3" x 3" Historic WA Panning

⑬ 3" x 3¹/₂" Historic WA Panning

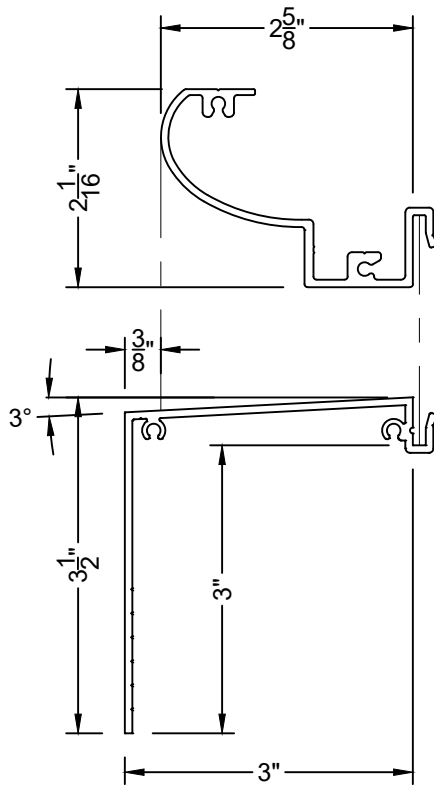


OPTIONAL SILL PANNING FOR ABOVE HISTORIC WRAP AROUND:



14 Maple Commons WA Panning

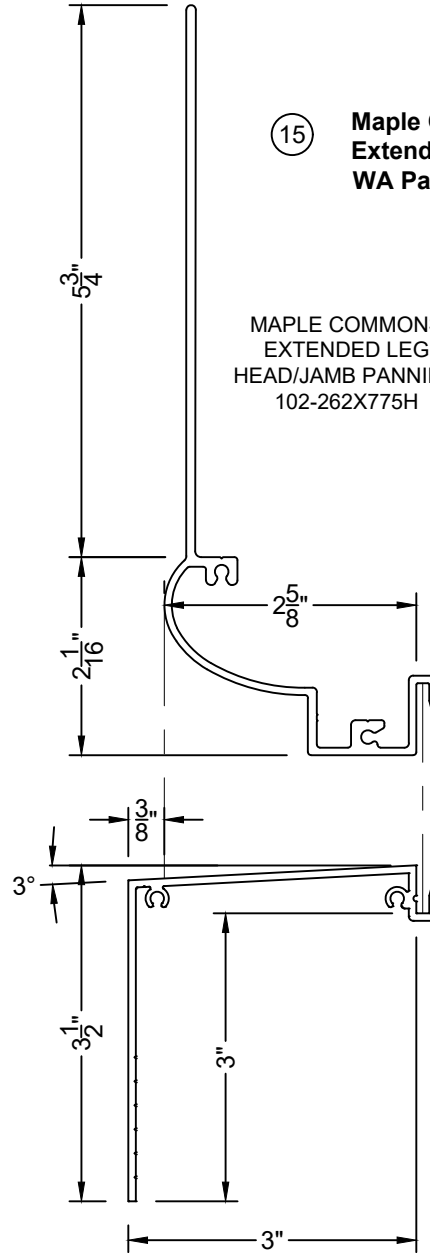
MAPLE COMMONS
HEAD/JAMB PANNING
102-262X200HJ



3X3 1/2" SILL PANNING
100-300X350HS

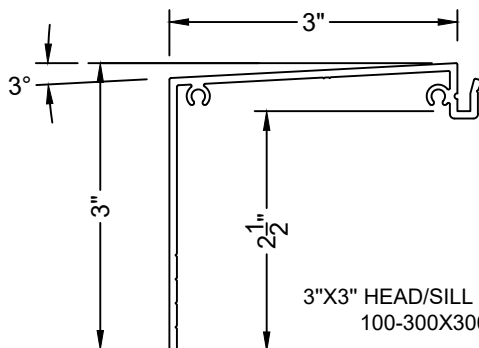
15 Maple Commons
Extended Leg
WA Panning

MAPLE COMMONS
EXTENDED LEG
HEAD/JAMB PANNING
102-262X775H

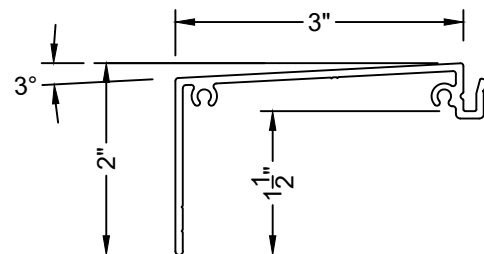


3X3 1/2" SILL PANNING
100-300X350HS

OPTIONAL SILL PANNING FOR ABOVE HISTORIC WRAP AROUND PANNING:



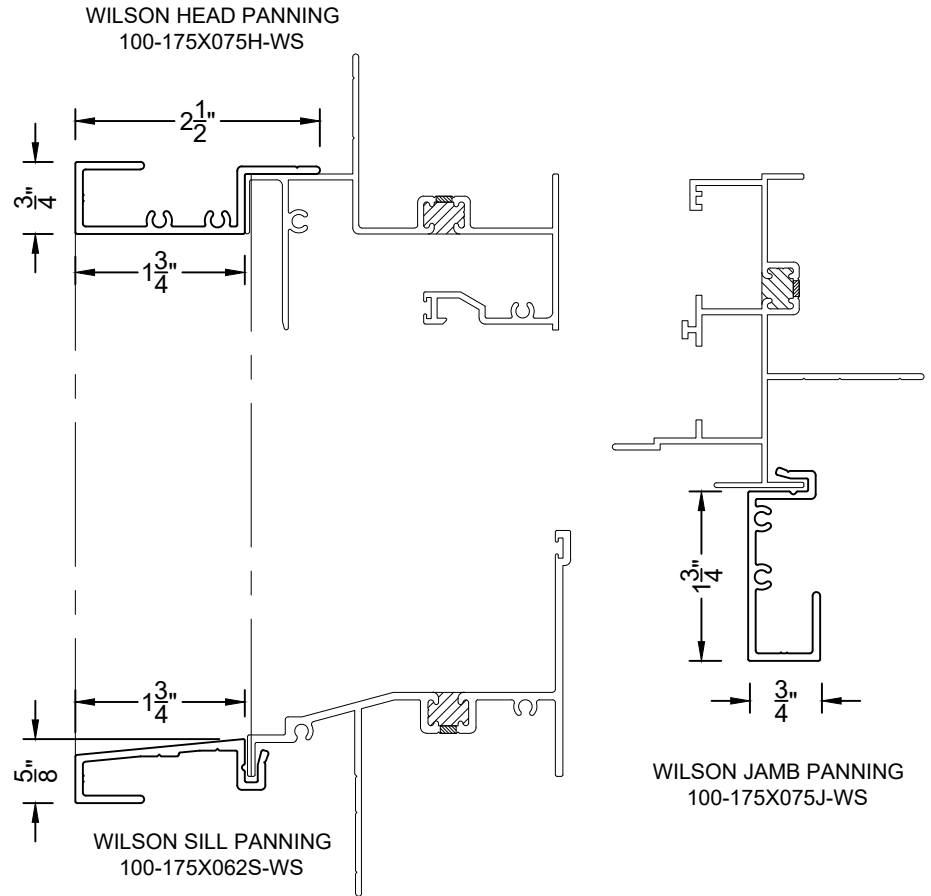
3"X3" HEAD/SILL PANNING
100-300X300HS



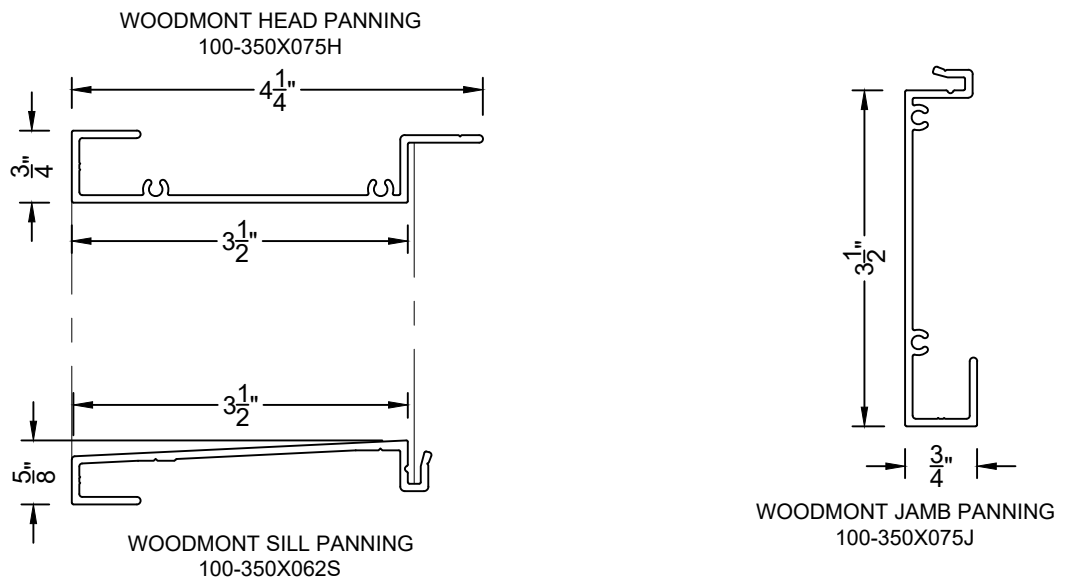
3"X2" HS PANNING
100-300X200HS

FOR 2000A WITH NAILING FIN

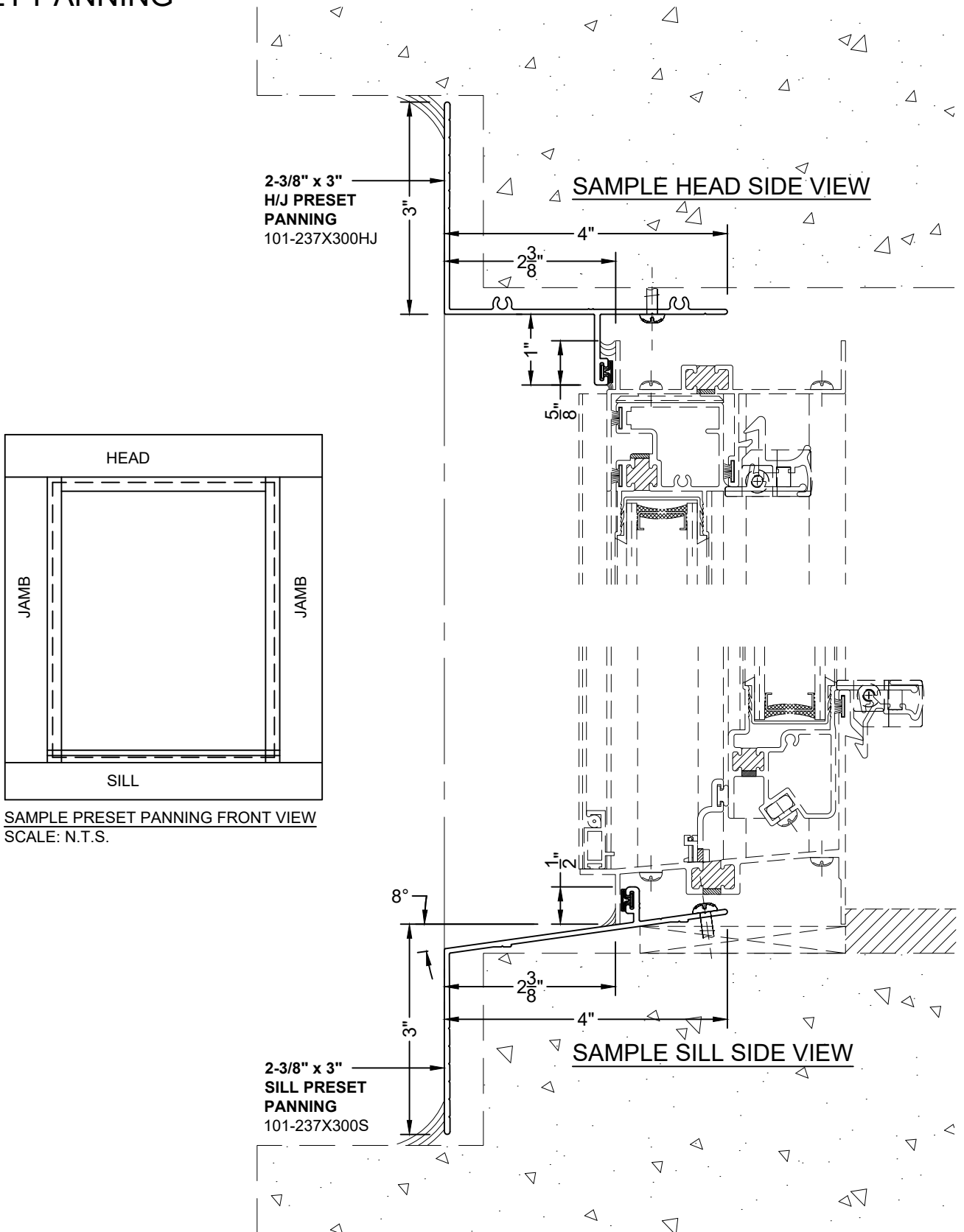
①⑥ Wilson WA Panning

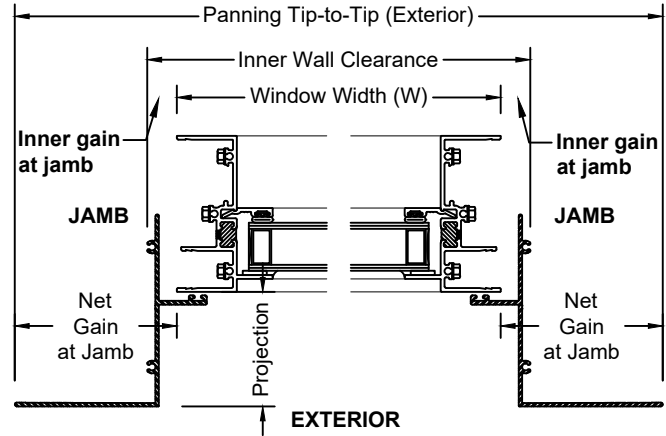
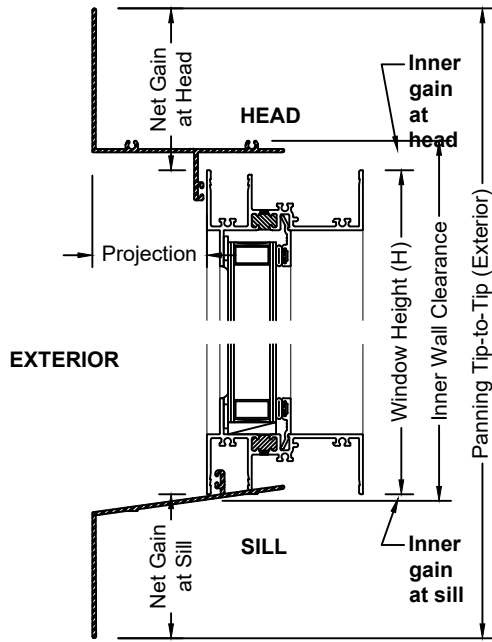


①⑦ Woodmont WA PANNING



PRESET PANNING

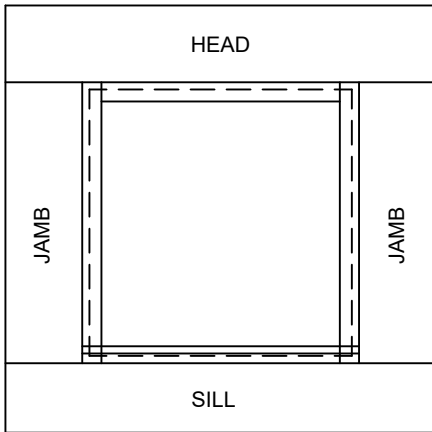




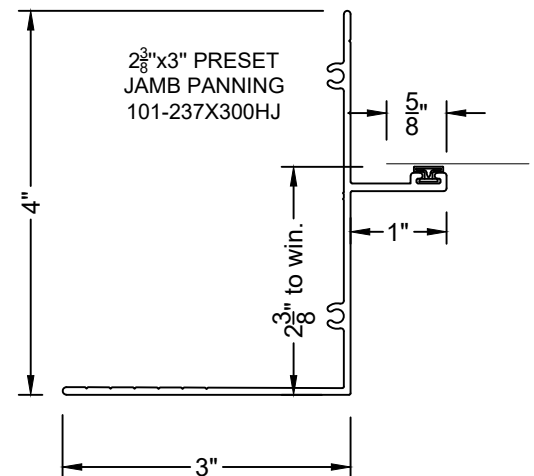
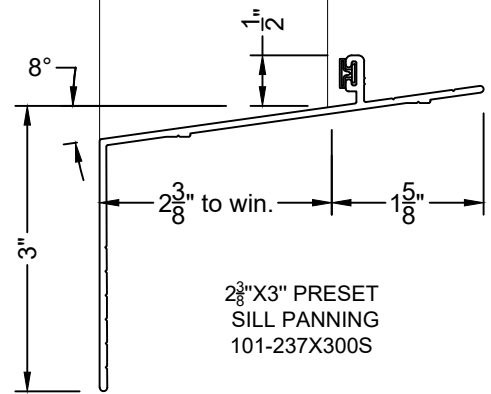
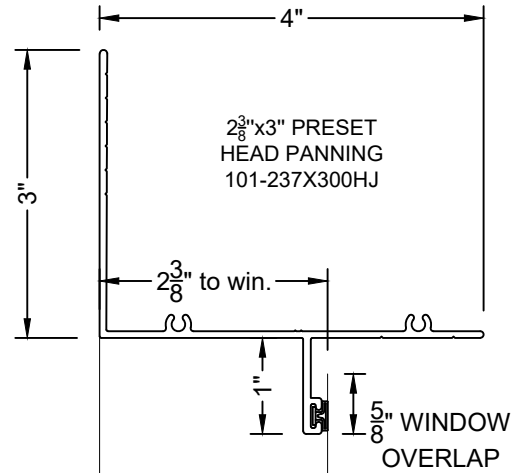
| | PANNING SYSTEM | NET GAIN OVER WINDOW SIZE | | | PANNING TIP-TO-TIP | | INNER WALL GAIN OVER WINDOW | | | INNER WALL CLEARANCE | | PROJECTION |
|----|--|----------------------------------|-----------------------------------|----------------------------------|-------------------------------------|---------------------------------------|----------------------------------|---------------------------------|----------------------------------|-------------------------------------|--------------------------------------|-----------------------------------|
| | | HEAD | SILL | JAMB | WIDTH | HEIGHT | HEAD | SILL | JAMB | WIDTH | HEIGHT | |
| 1 | 2 ³ / ₈ " x 3" Preset Panning | 3 ³ / ₈ " | 3" | 3 ³ / ₈ " | W + 6 ³ / ₄ " | H + 6 ² / ₈ " | 5 ⁵ / ₈ " | 1 ¹ / ₈ " | 5 ⁵ / ₈ " | W + 1 ¹ / ₄ " | H + 3 ³ / ₄ " | 2 ³ / ₈ " |
| 2 | 2 ³ / ₈ " x 3" Preset w/ 2 ³ / ₈ " x 4" Jamb | 3 ³ / ₈ " | 3" | 4 ³ / ₈ " | W + 8 ³ / ₄ " | H + 6 ² / ₈ " | 5 ⁵ / ₈ " | 1 ¹ / ₈ " | 5 ⁵ / ₈ " | W + 1 ¹ / ₄ " | H + 3 ³ / ₄ " | 2 ³ / ₈ " |
| 3 | 2 ³ / ₈ " x 4" Preset Panning | 4 ³ / ₈ " | 4" | 4 ³ / ₈ " | W + 8 ³ / ₄ " | H + 8 ² / ₈ " | 5 ⁵ / ₈ " | 1 ¹ / ₈ " | 5 ⁵ / ₈ " | W + 1 ¹ / ₄ " | H + 3 ³ / ₄ " | 2 ³ / ₈ " |
| 4 | 2 ³ / ₈ " x 4" Preset w/ 2 ³ / ₈ " x 3" Head | 3 ³ / ₈ " | 4" | 4 ³ / ₈ " | W + 8 ³ / ₄ " | H + 7 ² / ₈ " | 5 ⁵ / ₈ " | 1 ¹ / ₈ " | 5 ⁵ / ₈ " | W + 1 ¹ / ₄ " | H + 3 ³ / ₄ " | 2 ³ / ₈ " |
| 5 | 2 ³ / ₈ " x 4" Preset w/ 2 ³ / ₈ " x 3" Jamb | 4 ³ / ₈ " | 4" | 3 ³ / ₈ " | W + 6 ³ / ₄ " | H + 8 ² / ₈ " | 5 ⁵ / ₈ " | 1 ¹ / ₈ " | 5 ⁵ / ₈ " | W + 1 ¹ / ₄ " | H + 3 ³ / ₄ " | 2 ³ / ₈ " |
| 6 | 3" x 2 ³ / ₈ " Historic Preset | 2 ¹ / ₄ " | 3 ¹ / ₈ " | 2 ¹ / ₄ " | W + 4 ¹ / ₂ " | H + 5 ² / ₈ " | 1 ¹ / ₁₆ " | 1 ¹ / ₈ " | 1 ¹ / ₁₆ " | W + 1 ³ / ₈ " | H + 1 ³ / ₁₆ " | 2 ¹ / ₄ " |
| 7 | Fenway PT Preset Panning | 1 ⁵ / ₁₆ " | 2 ¹³ / ₁₆ " | 1 ⁵ / ₁₆ " | W + 2 ⁵ / ₈ " | H + 4 ¹ / ₈ " | 1 ¹ / ₁₆ " | 1 ¹ / ₈ " | 1 ¹ / ₁₆ " | W + 2 ¹ / ₈ " | H + 1 ³ / ₁₆ " | 2 ¹⁵ / ₁₆ " |
| 8 | Dorchester Preset Panning | 3 ³ / ₈ " | 4 ³ / ₈ " | 4 ³ / ₄ " | W + 9 ¹ / ₂ " | H + 7 ³ / ₄ " | 3 ³ / ₄ " | 3 ³ / ₈ " | 1 ¹ / ₁₆ " | W + 1 ³ / ₈ " | H + 1 ¹ / ₈ " | 2 ³ / ₄ " |
| 9 | Greene Preset Panning | 1 ⁵ / ₈ " | 3 ³ / ₁₆ " | 1 ⁵ / ₈ " | W + 3 ¹ / ₄ " | H + 4 ¹³ / ₁₆ " | 1 ¹ / ₄ " | 1 ¹ / ₈ " | 1 ¹ / ₄ " | W + 1 ¹ / ₂ " | H + 3 ³ / ₈ " | 3 ⁷ / ₈ " |
| 10 | Clermont Preset Panning | 1 ⁵ / ₁₆ " | 3" | 1 ⁵ / ₁₆ " | W + 2 ⁵ / ₈ " | H + 4 ⁵ / ₁₆ " | 3 ³ / ₁₆ " | 1 ¹ / ₈ " | 3 ³ / ₁₆ " | W + 3 ³ / ₈ " | H + 5 ⁵ / ₁₆ " | 2 ¹ / ₂ " |
| 11 | RM011 Preset Panning | 2 ¹ / ₁₆ " | 3 ¹ / ₈ " | 2 ¹ / ₁₆ " | W + 4 ¹ / ₈ " | H + 5 ³ / ₁₆ " | 5 ⁵ / ₁₆ " | 1 ¹ / ₈ " | 5 ⁵ / ₁₆ " | W + 5 ⁵ / ₈ " | H + 7 ⁷ / ₁₆ " | 2 ¹ / ₄ " |
| 12 | 74th st Preset Panning | | | | | | | | | | | |
| 13 | Berkeley Preset Panning | | | | | | | | | | | |

- PRESET PANNING DIMENSION & OFFSET SHOWN ARE BASED ON 5/8" BITE BETWEEN WINDOW AND PANNING
- CUSTOM OFFSET ARE AVAILABLE, THE LIMITATION WILL VARIES BASED ON WINDOW SERIES
- ALLOW A MINIMUM BITE OF 1/2" BETWEEN WINDOW AND PANNING

① 2³/₈" x 3" Preset Panning

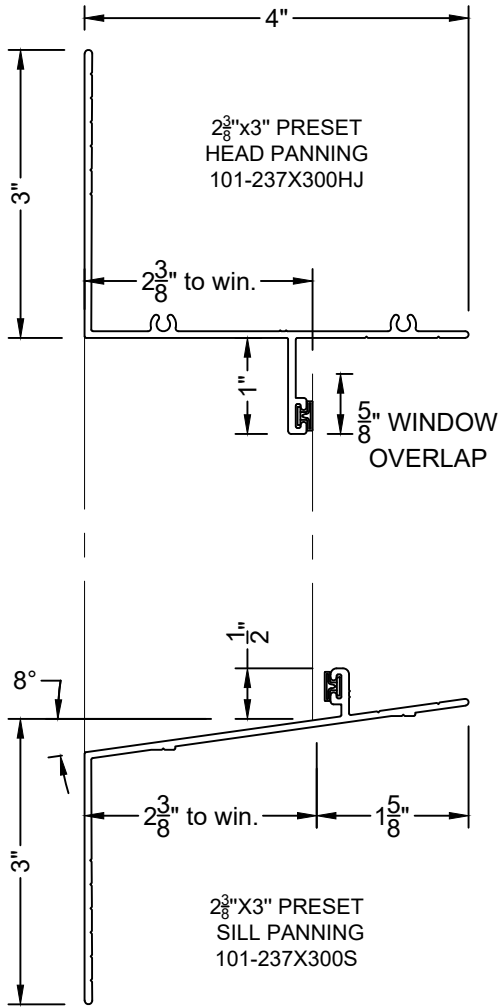


SAMPLE PRESET PANNING FRONT VIEW
SCALE: N.T.S.

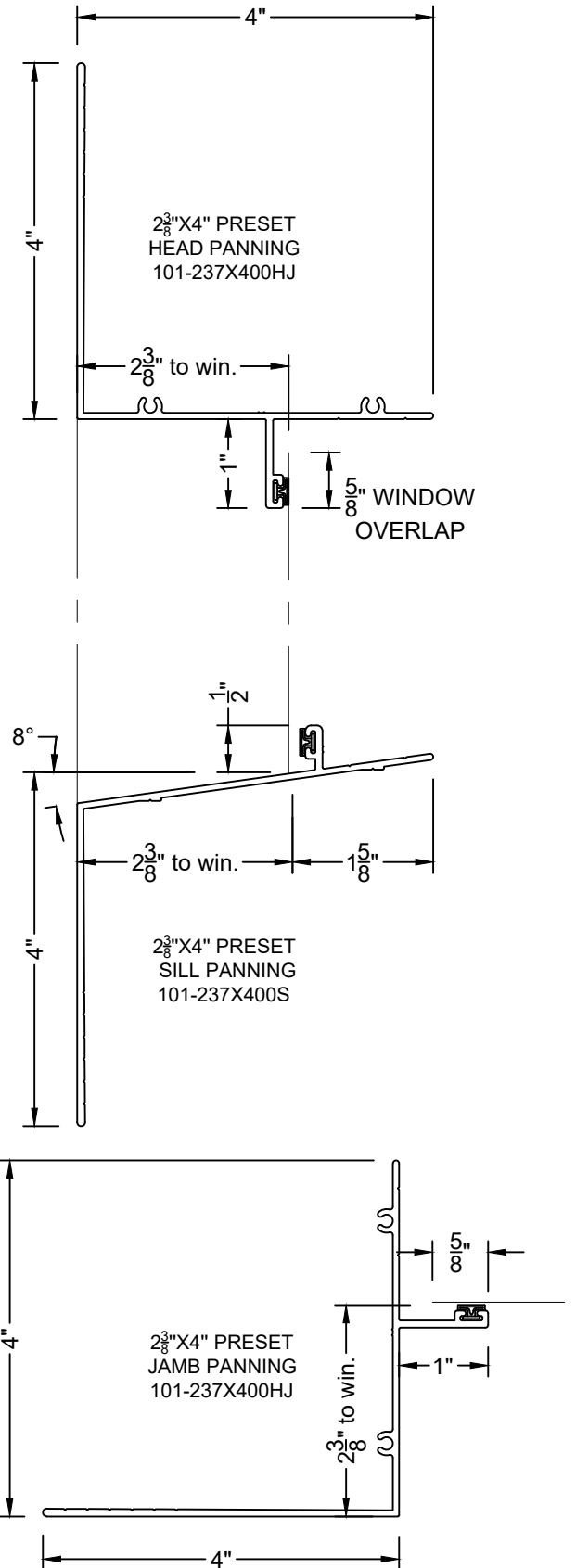


| POSSIBLE PANNING SETUP | | | |
|------------------------|---|--------------------------------------|-------------------------------------|
| | HEAD | JAMB | SILL |
| #1 | 2-3/8" x 3" HEAD / JAMB 101-237X300HJ | | 2-3/8" x 3" SILL 101-237X300S |
| #2 | 2-3/8" x 3" HEAD 101-237X300HJ | 2-3/8" x 4" JAMB 101-237X400HJ | 2-3/8" x 3" SILL 101-237X300S |
| #4 | 2-3/8" x 4" HEAD / JAMB 101-237X400HJ | | 2-3/8" x 4" SILL 101-237X400S |
| #5 | 2-3/8" x 4" HEAD 101-237X400HJ | 2-3/8" x 3" JAMB 101-237X300S | 2-3/8" x 4" SILL 101-237X400S |
| #3 | 2-3/8" x 3" HEAD 101-237X300S | 2-3/8" x 4" JAMB 101-237X400HJ | 2-3/8" x 4" SILL 101-237X400S |

② $2\frac{3}{8}$ " x 3" Preset Panning with $2\frac{3}{8}$ " x 4" Jamb

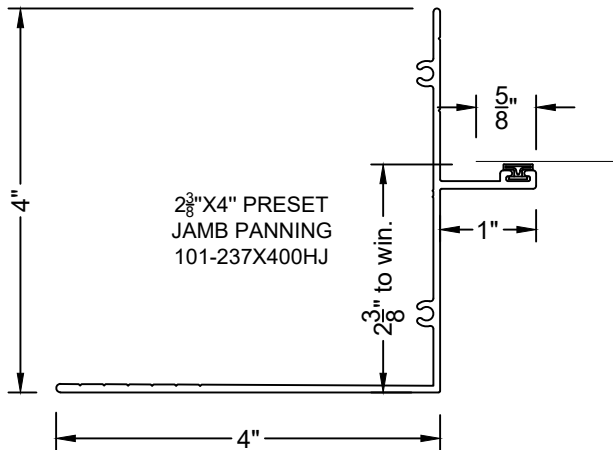
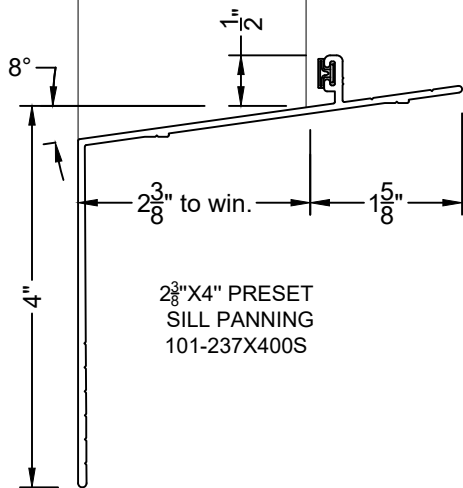
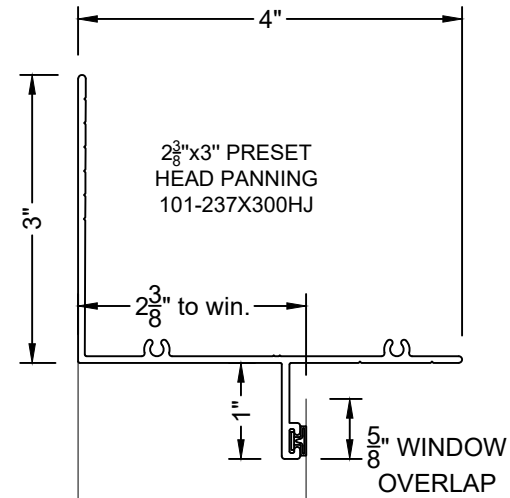


③ $2\frac{3}{8}$ " x 4" Preset Panning

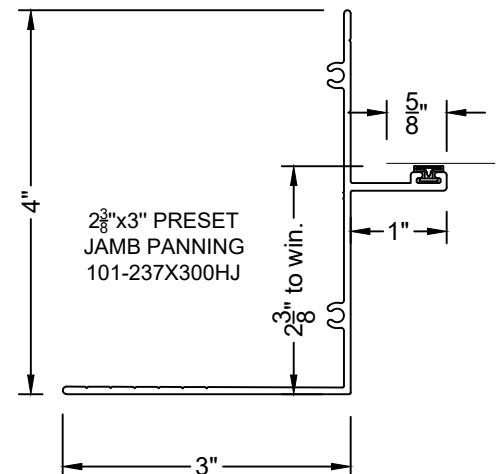
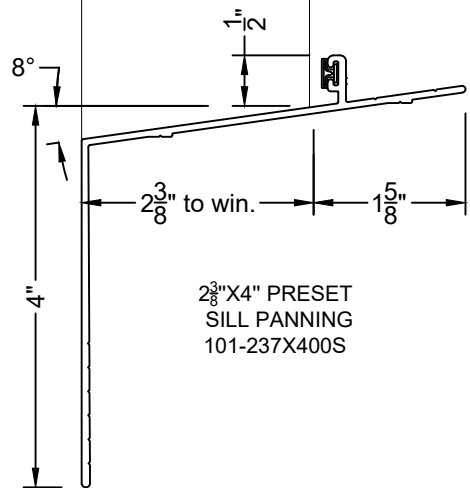
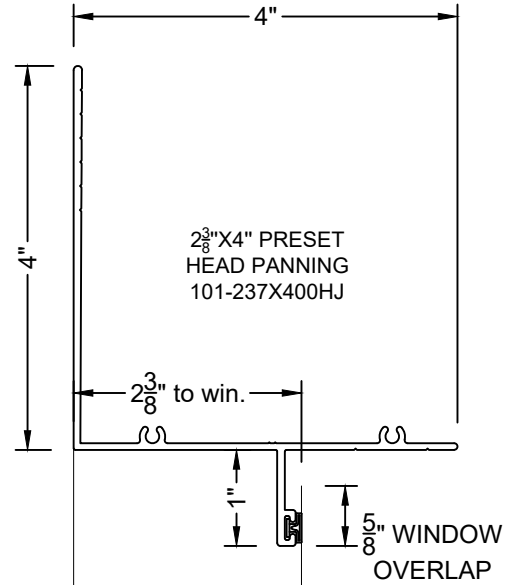


VER: 2024-09

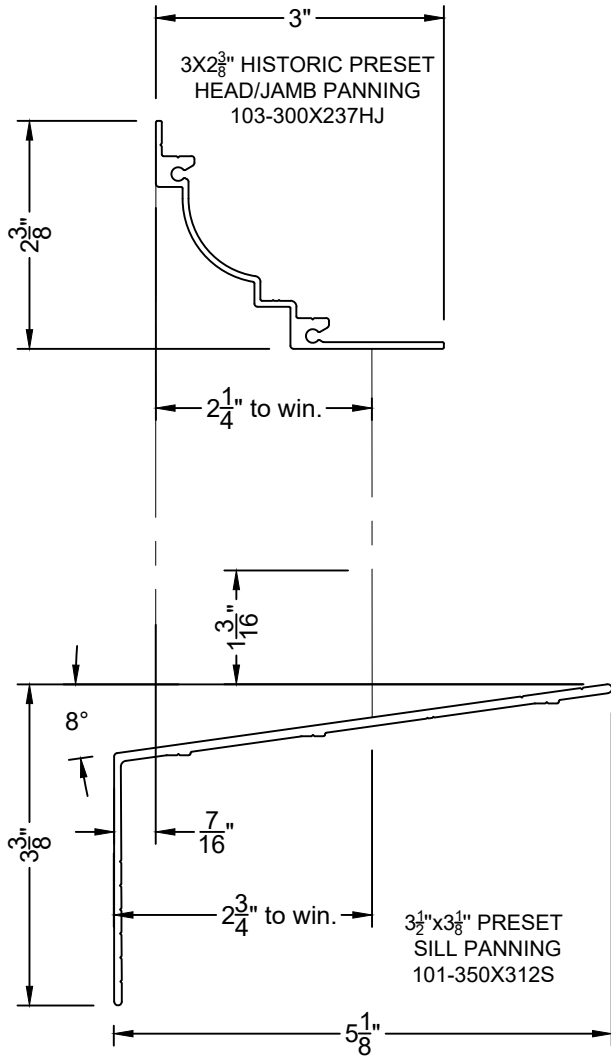
④ $2\frac{3}{8}$ " x 4" Preset Panning
with $2\frac{3}{8}$ " x 3" Head



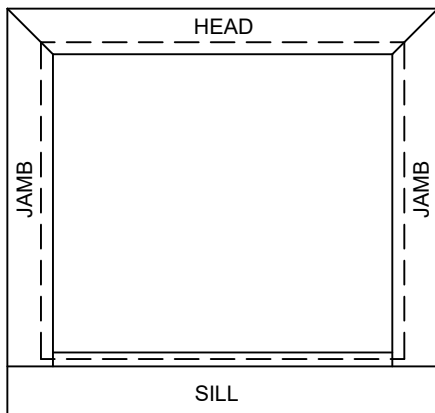
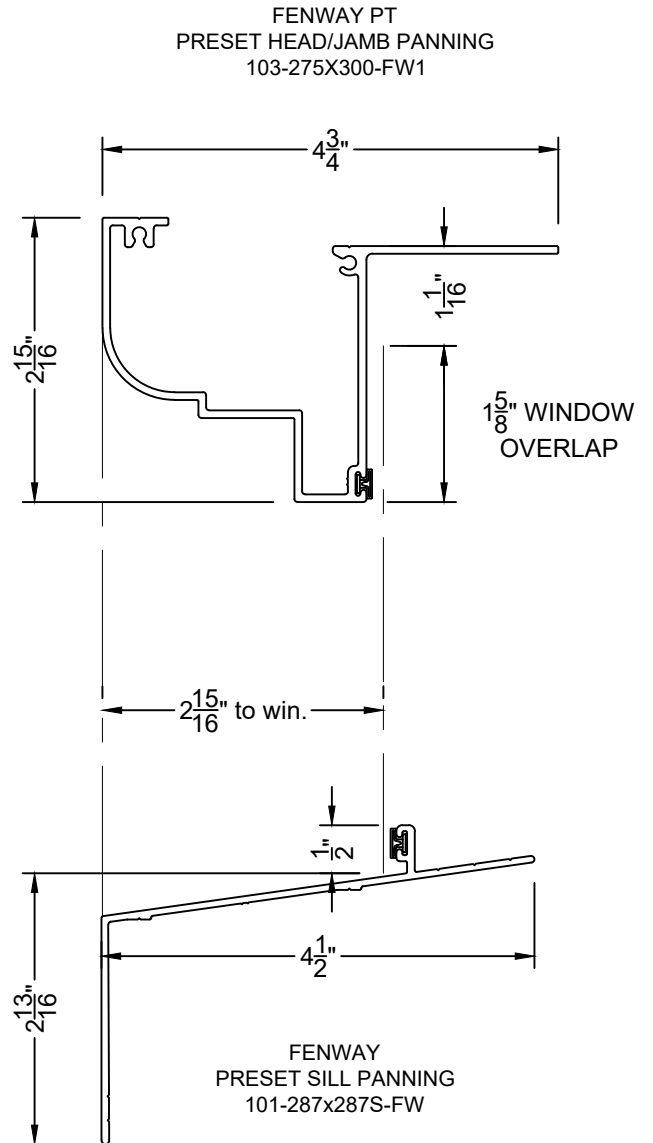
⑤ $2\frac{3}{8}$ " x 4" Preset Panning
with $2\frac{3}{8}$ " x 3" JAMB



⑥ 3" x 2³/₈" Historic Preset Panning

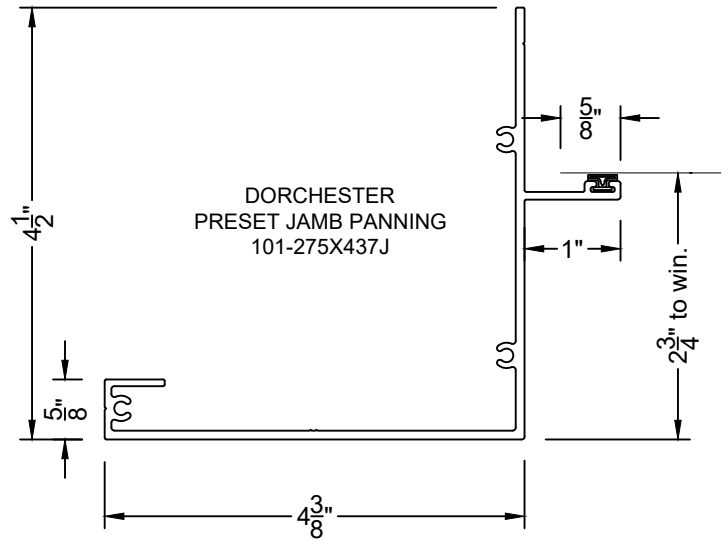
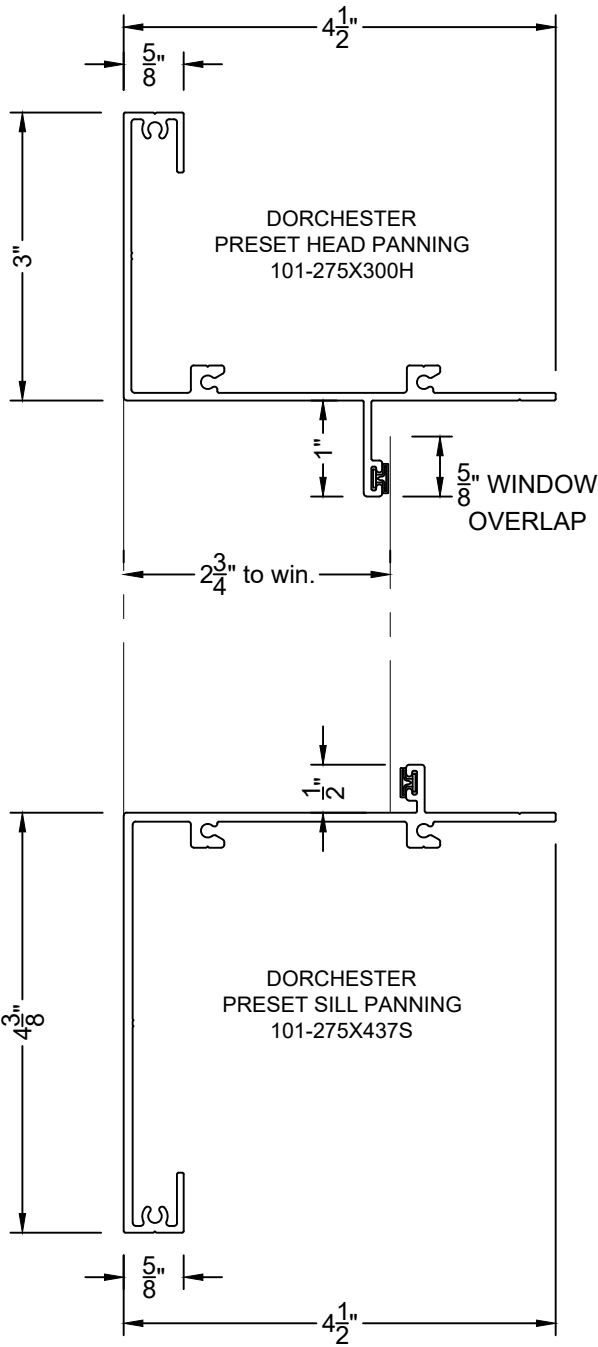


⑦ Fenway PT Preset Panning



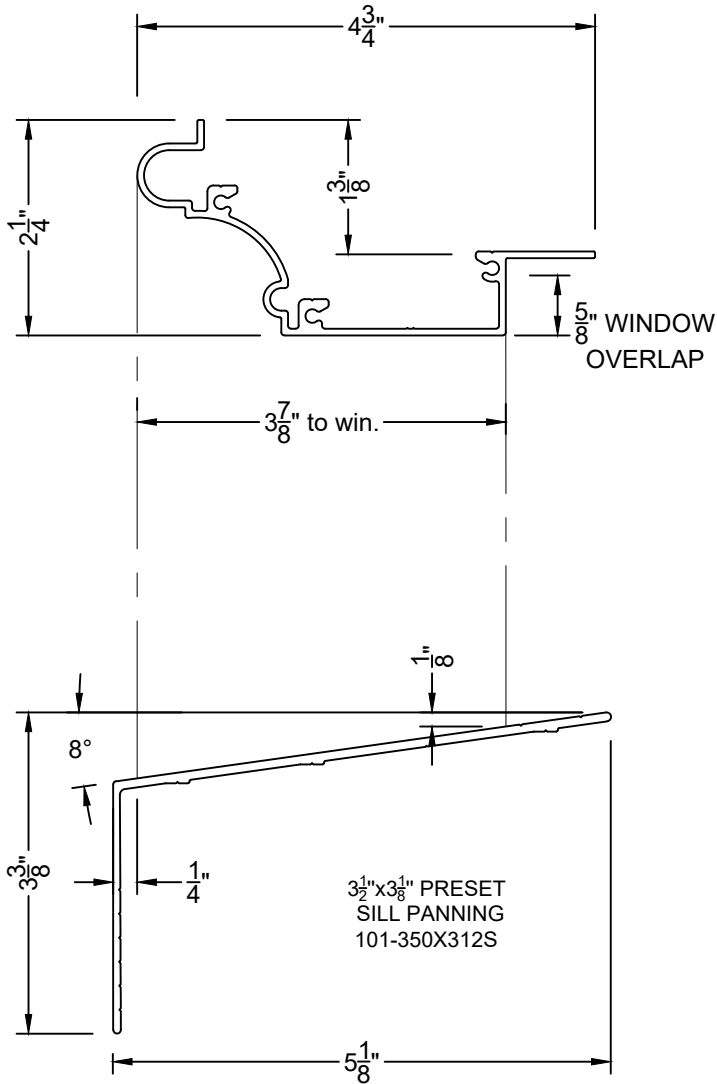
SAMPLE PRESET PANNING FRONT VIEW
SCALE: N.T.S.

⑧ Dorchester Preset Panning



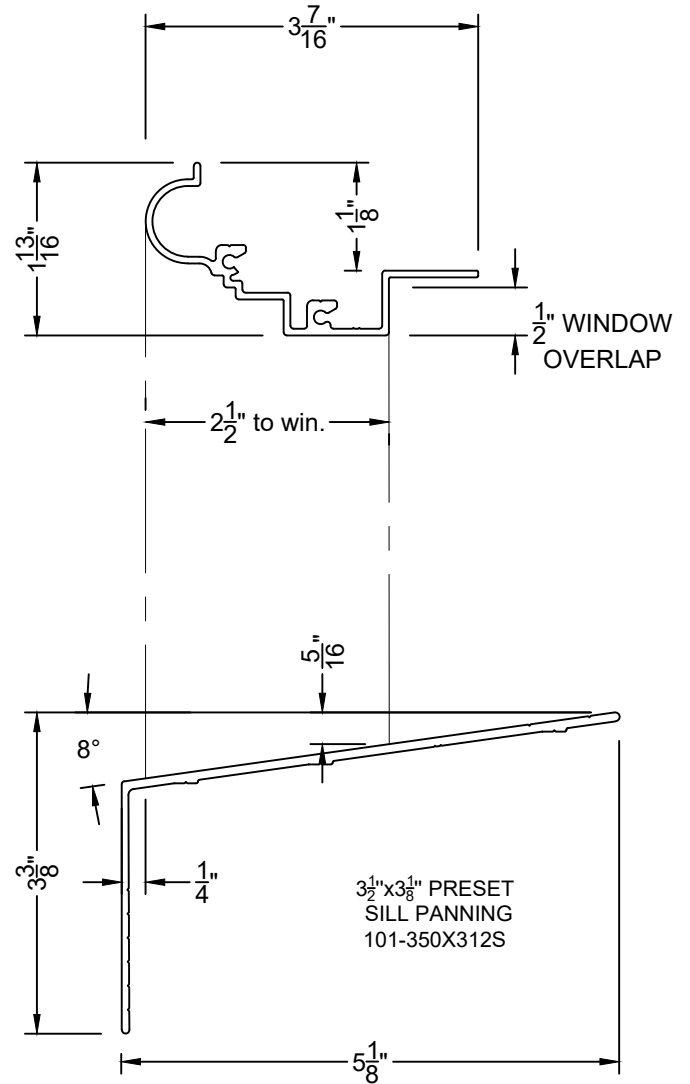
9 **Greene Preset Panning**

GREENE PRESET
HEAD/SILL PANNING
102-375X143HJ

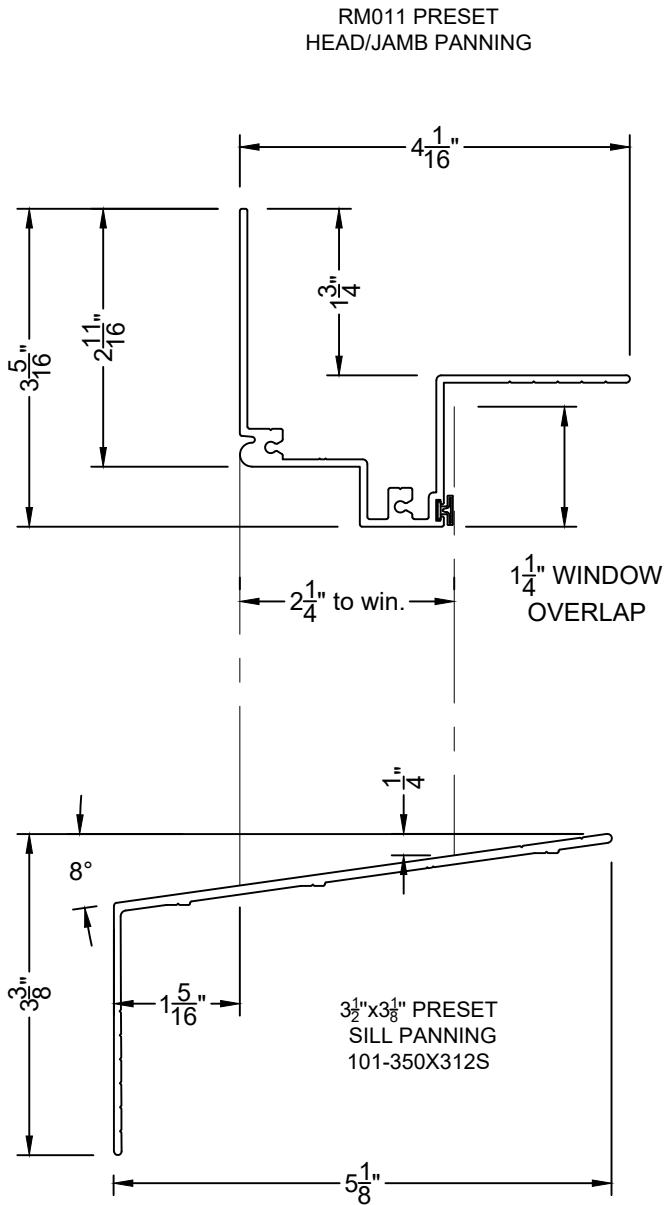


10 **Clermont Preset Panning**

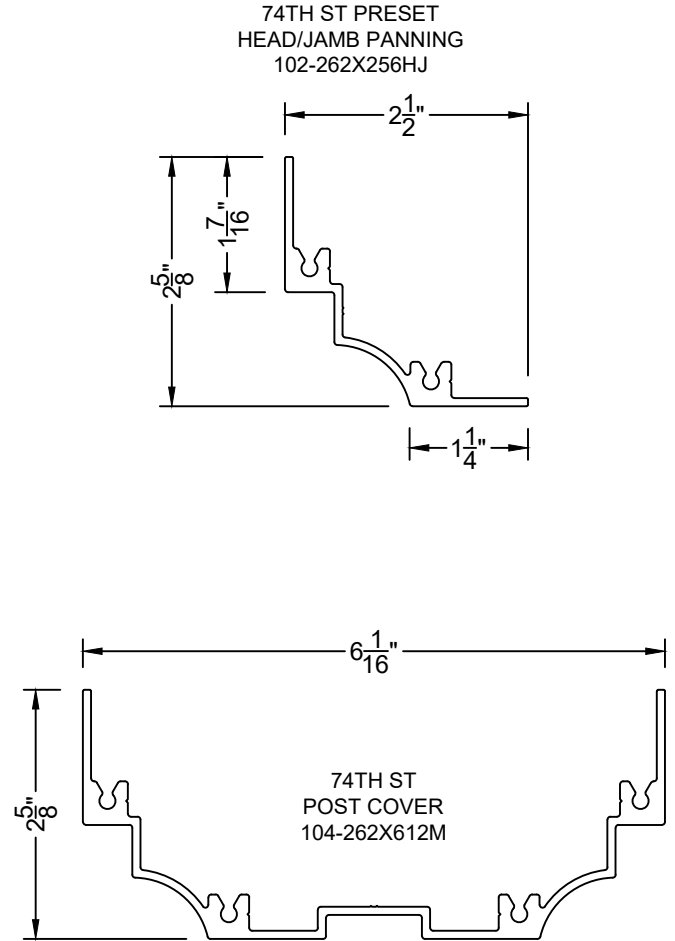
CLERMONT PRESET
HEAD/JAMB PANNING
102-256X118HJ



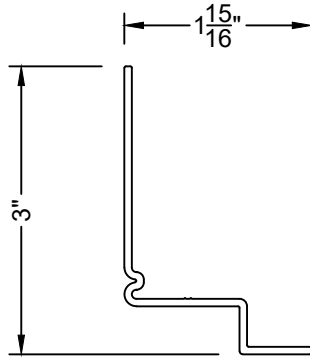
⑪ RM011 Preset Panning



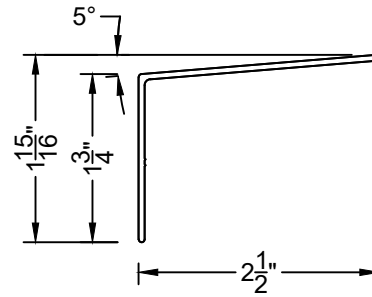
⑫ 74th ST Preset Panning



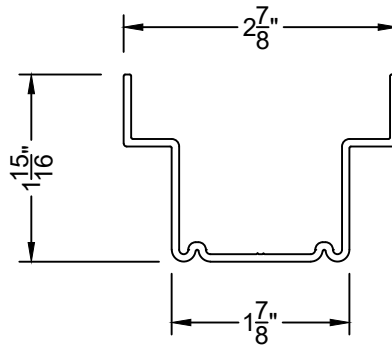
13 Berkeley Preset Panning



BERKELEY PRESET
HEAD & JAMB PANNING
101-195X300HJ

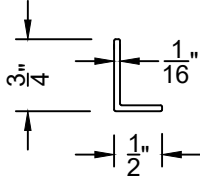


BERKELEY
PRESET SILL PANNING
101-175X250S

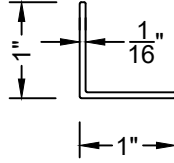


BERKELEY
MULLION COVER
104-195X285M

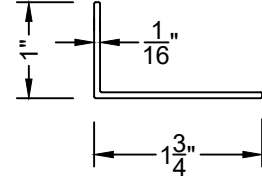
L ANGLE



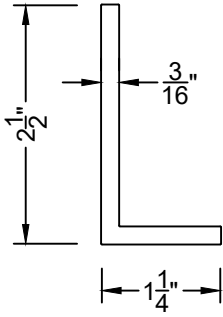
$\frac{1}{2}$ " X $\frac{3}{4}$ " X $\frac{1}{16}$ " ANGLE
310-05X075-0625



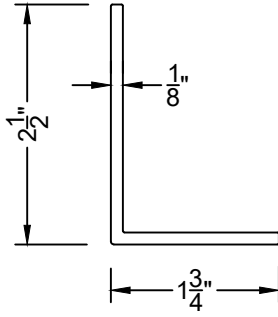
1" X 1" X $\frac{1}{16}$ " ANGLE
310-1X1-0625



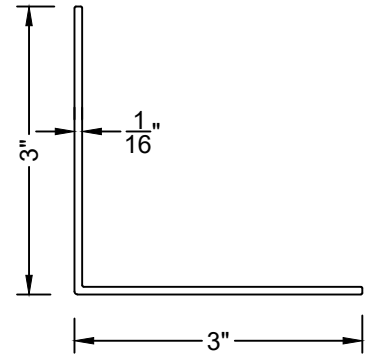
$1\frac{3}{4}$ " X 1" X $\frac{1}{16}$ " ANGLE
310-1X175-0625



$1\frac{1}{4}$ " X $2\frac{1}{2}$ " X $\frac{3}{16}$ " CLIP ANGLE
310-125X250-0188



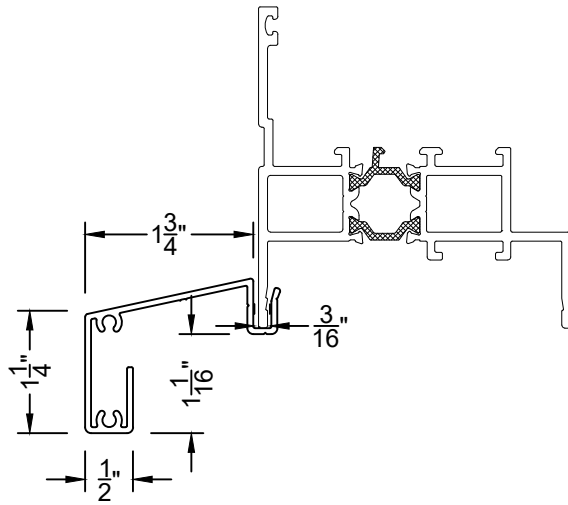
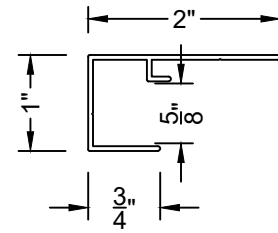
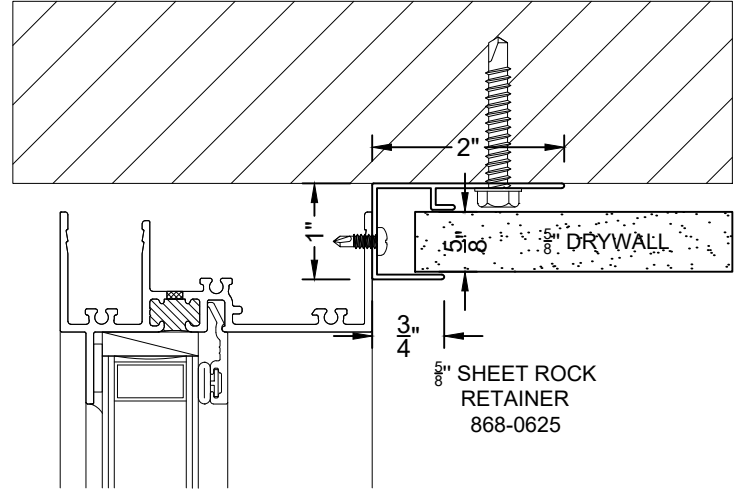
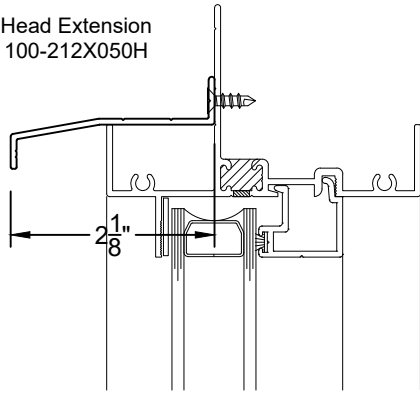
$1\frac{3}{4}$ " X $2\frac{1}{2}$ " X $\frac{1}{8}$ " CLIP ANGLE
310-175X25-0125



3" X 3" X $\frac{5}{64}$ " CLIP ANGLE
310-300X300-0800

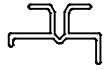
EXTENSION

Head Extension
100-212X050H

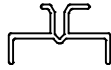


Sill Extension
100-175X161S

VINYL WINDOW REINFORCEMENT



300 S/H LOCK RAIL
REINFORCEMENT
590-V300-N02



300 S/H KEEPER RAIL
REINFORCEMENT
590-V300-N01



300 400 500 BOT RAIL
REINFORCEMENT
590-V300-N03

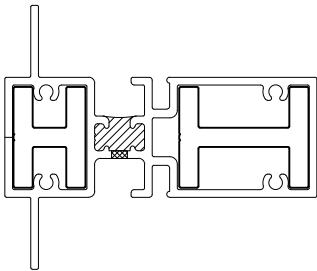


400 SERIES
FULL SCREEN TRACK
V400-241-000000

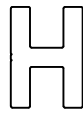


500 SERIES
SILL STIFFENER
P63-X501

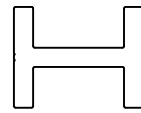
ALUMINUM WINDOW REINFORCEMENT



5100 T-IMPOST
REINFORCEMENT 1
590-5100-N01



5100 T-IMPOST
REINFORCEMENT 2
590-5100-N02



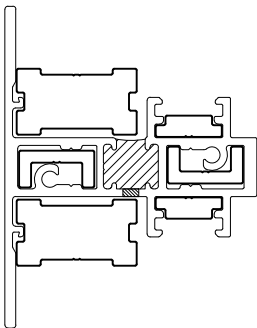
8500 T-IMPOST
REINFORCEMENT 3
590-8600-N01



8500 T-IMPOST
REINFORCEMENT 4
590-8600-N02



8500 T-IMPOST
REINFORCEMENT 5
590-8600-N03



8600 JAMB
REINFORCEMENT
590-8600-N04

