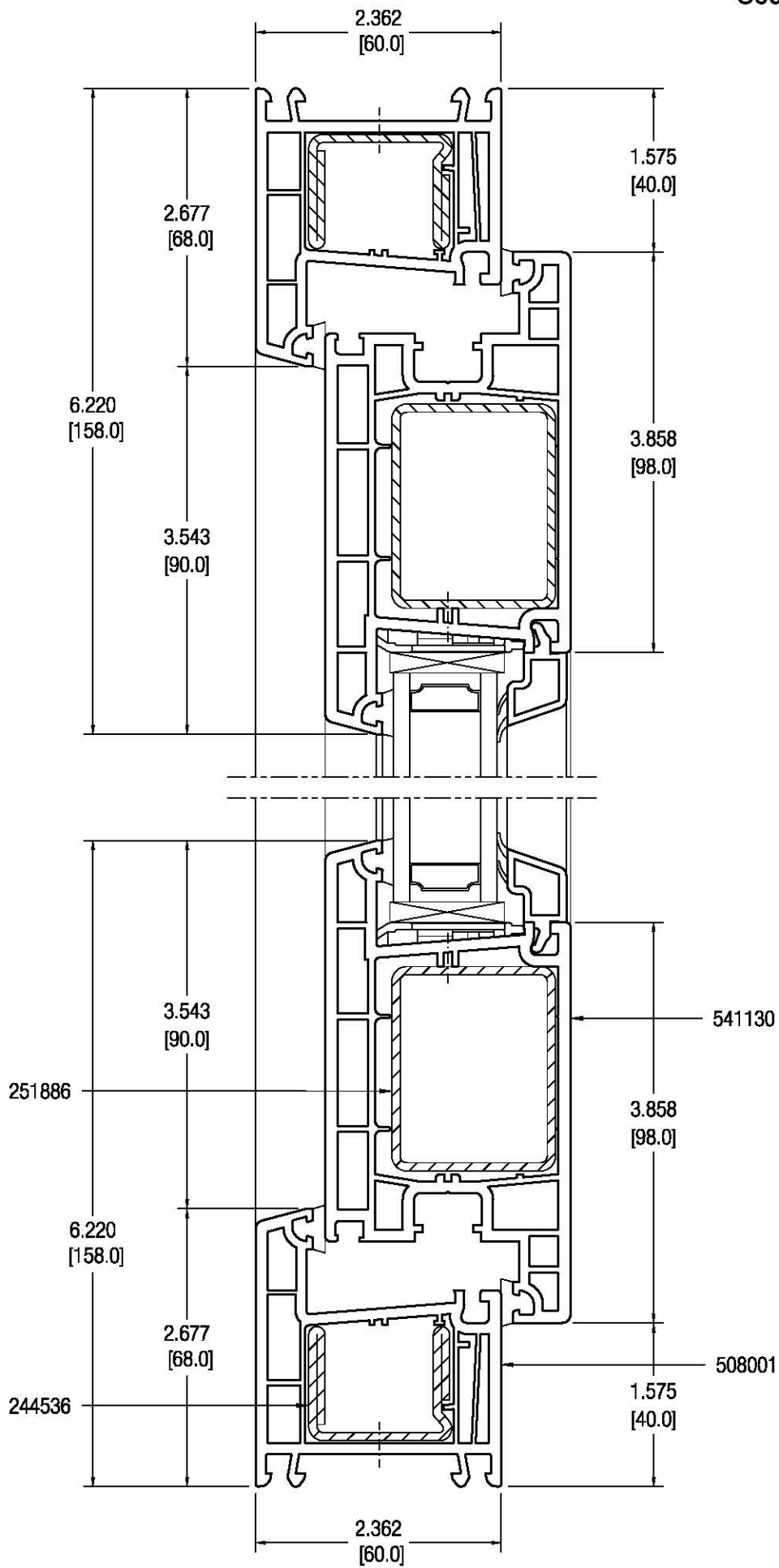
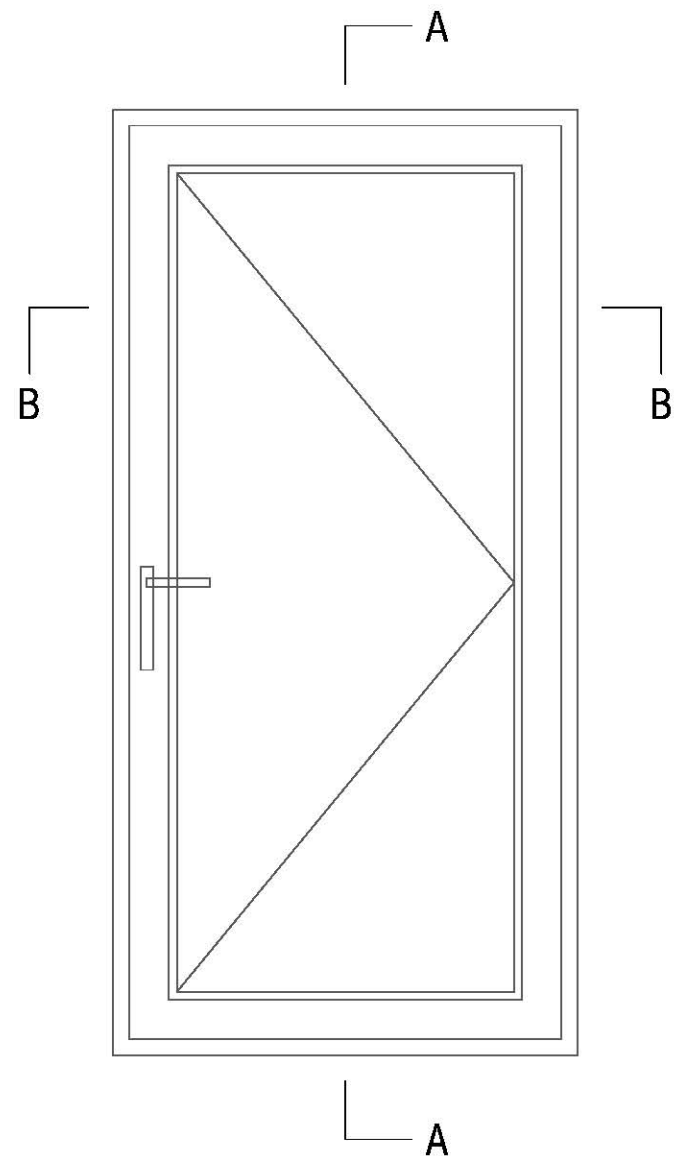


Section: B-B



Section: A-A



Rev #	Revision Description & Date

Before using the drawing, the user must determine suitability of the drawing for user's intended use and shall assume all risk and liability in connection therewith. REHAU DISCLAIMS ALL WARRANTIES, EXPRESS OR IMPLIED, INCLUDING BUT NOT LIMITED TO ANY IMPLIED WARRANTIES OF MERCHANTABILITY OR FITNESS FOR A PARTICULAR PURPOSE.



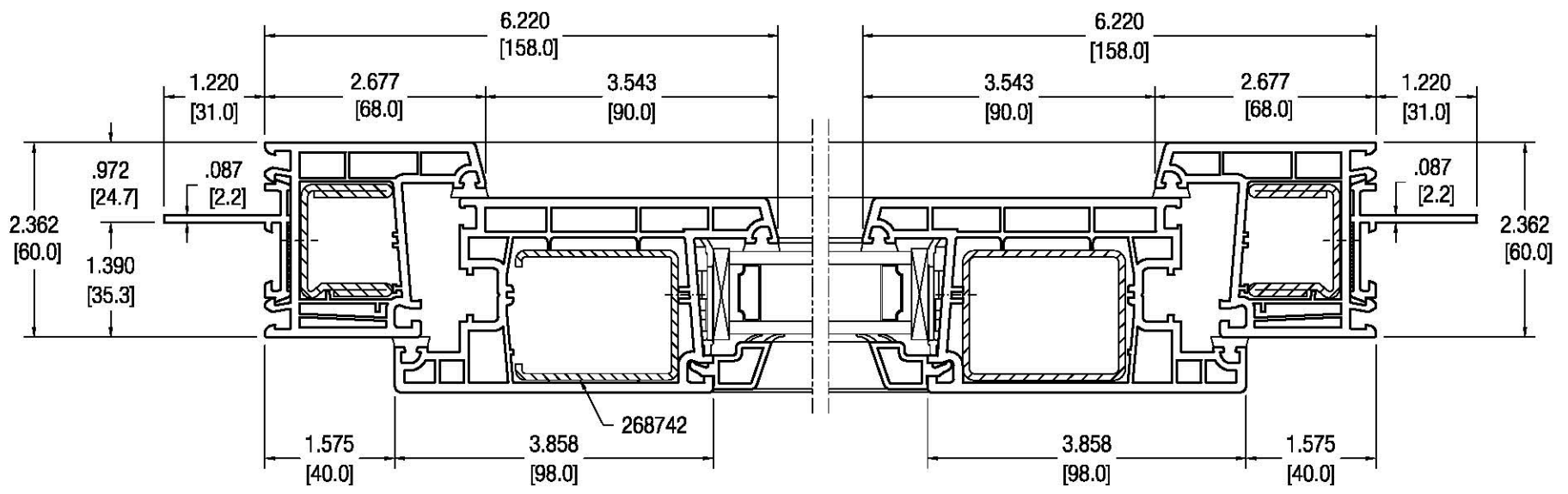
System: 4500 SERIES

Title: Single In-Swing Door use EU Frame and Sash Z98

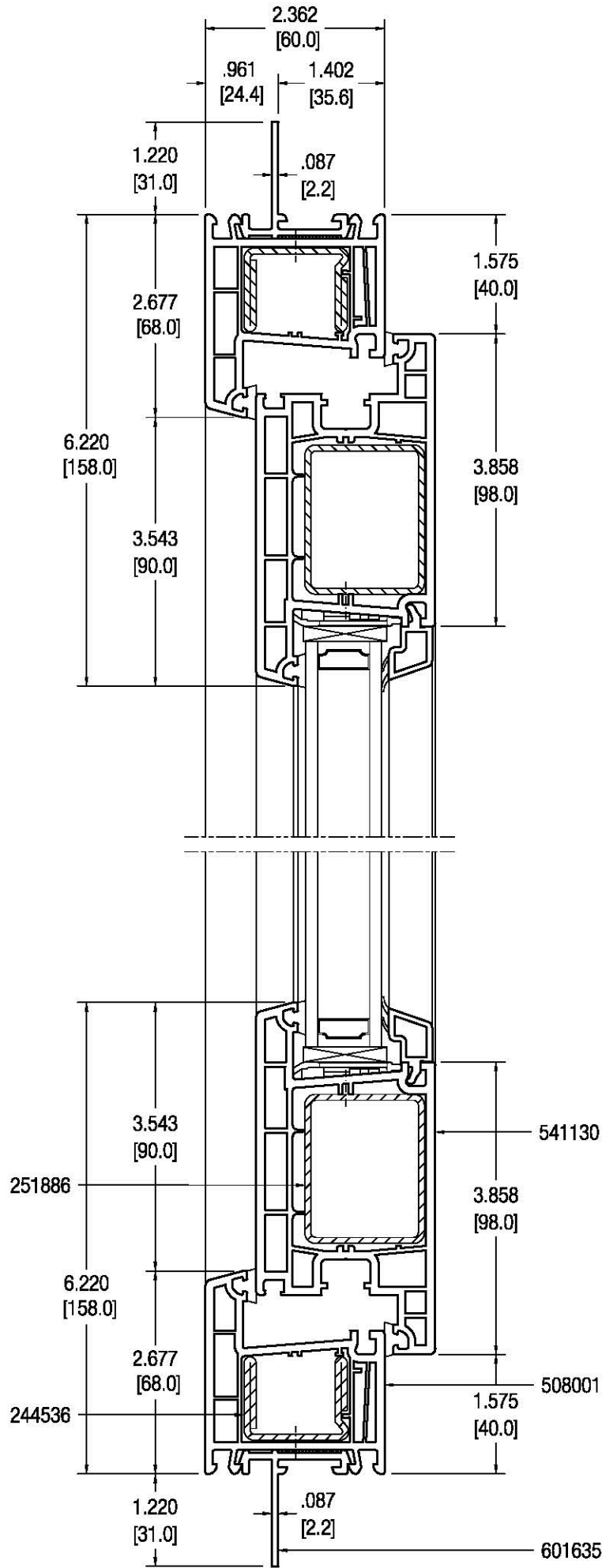
Date: 03/29/2018 Scale: Drawn by: FHS

Drawing No.: 2002-16-086 SN: Rev.: 1

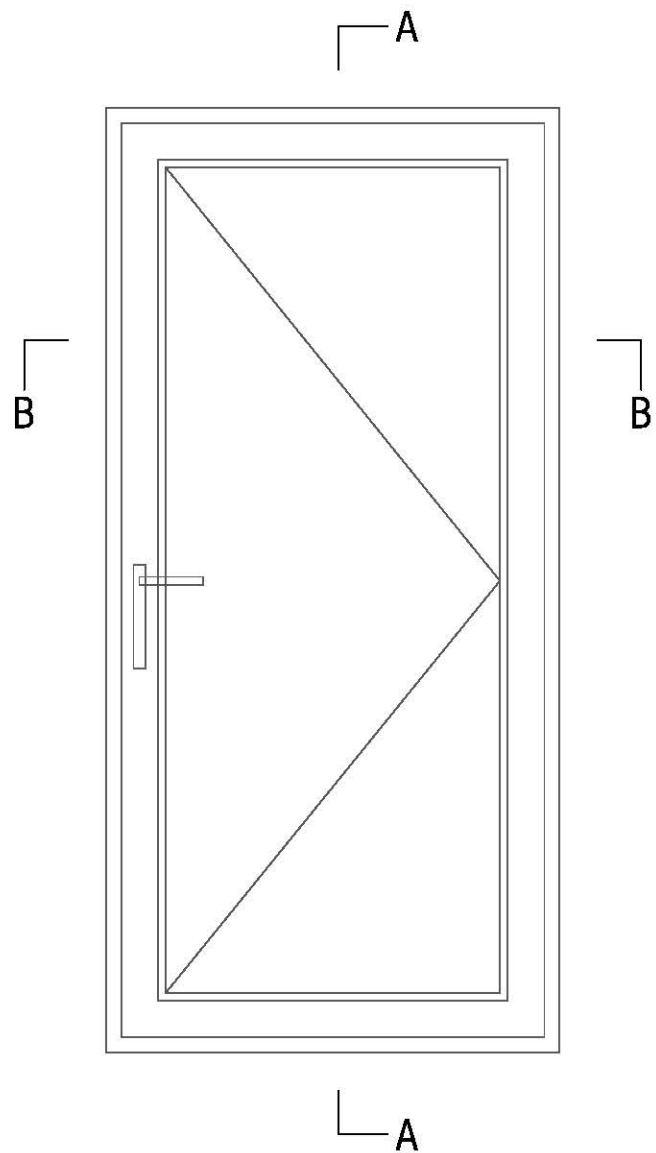
© 2018 REHAU. Do not disclose without written permission



Section: B-B



Section: A-A



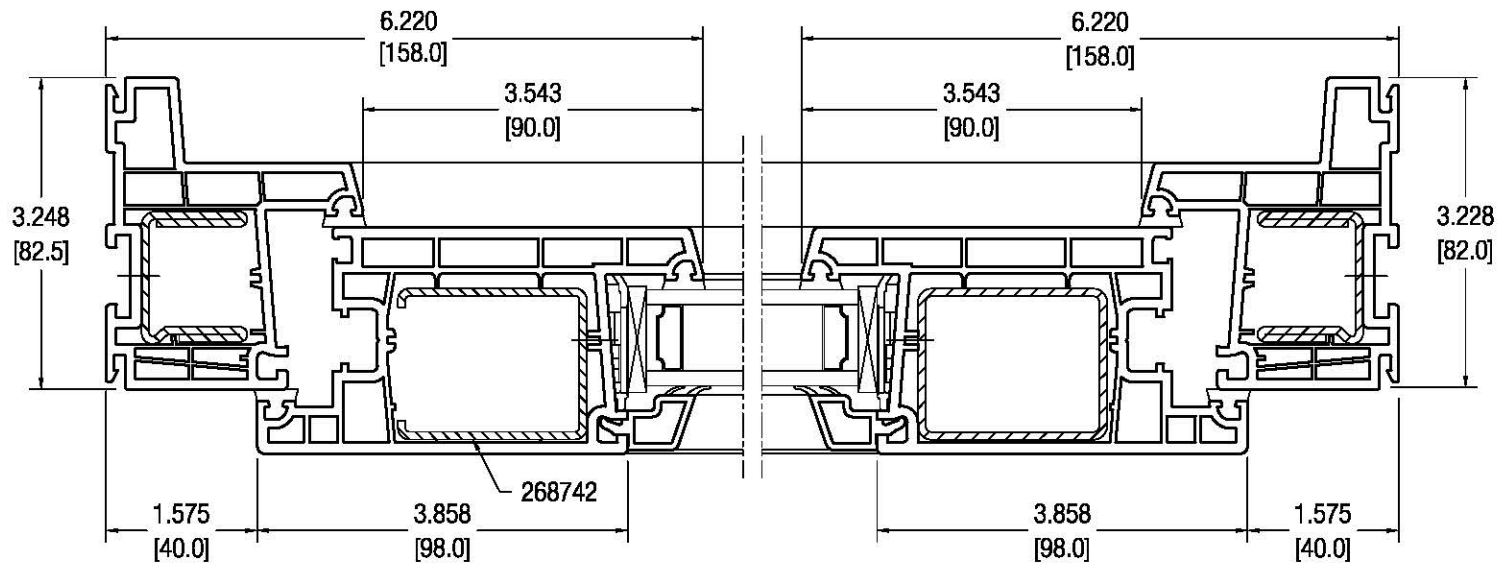
Rev #	Revision Description & Date

Before using the drawing, the user must determine suitability of the drawing for user's intended use and shall assume all risk and liability in connection therewith. REHAU DISCLAIMS ALL WARRANTIES, EXPRESS OR IMPLIED, INCLUDING BUT NOT LIMITED TO ANY IMPLIED WARRANTIES OF MERCHANTABILITY OR FITNESS FOR A PARTICULAR PURPOSE.

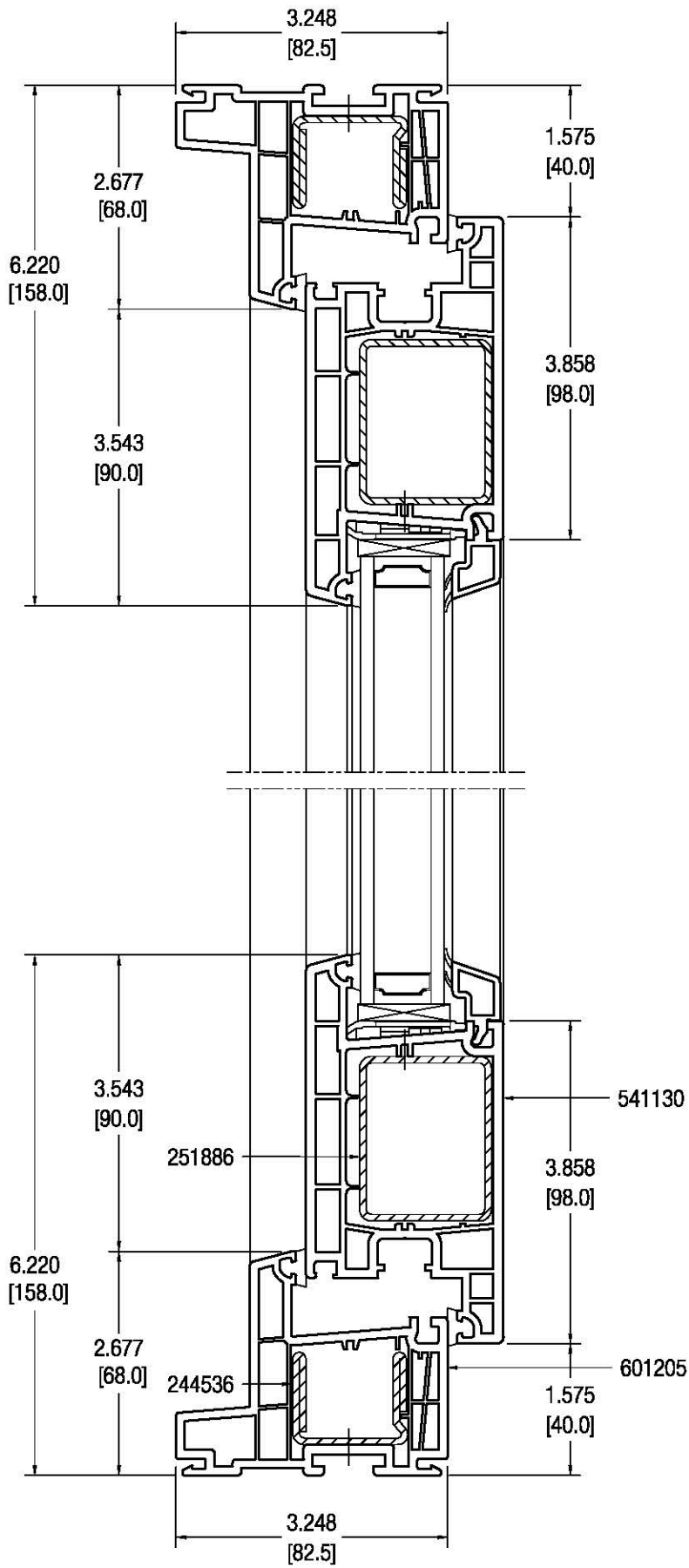


System: 4500 SERIES	
Title: Single In-Swing Door use EU Frame Snap on Nail-Fin and Sash Z98	
Date: 03/29/2018	Scale:
Drawing No.: 2002-16-087	SN: Rev.: 1
© 2018 REHAU. Do not disclose without written permission	

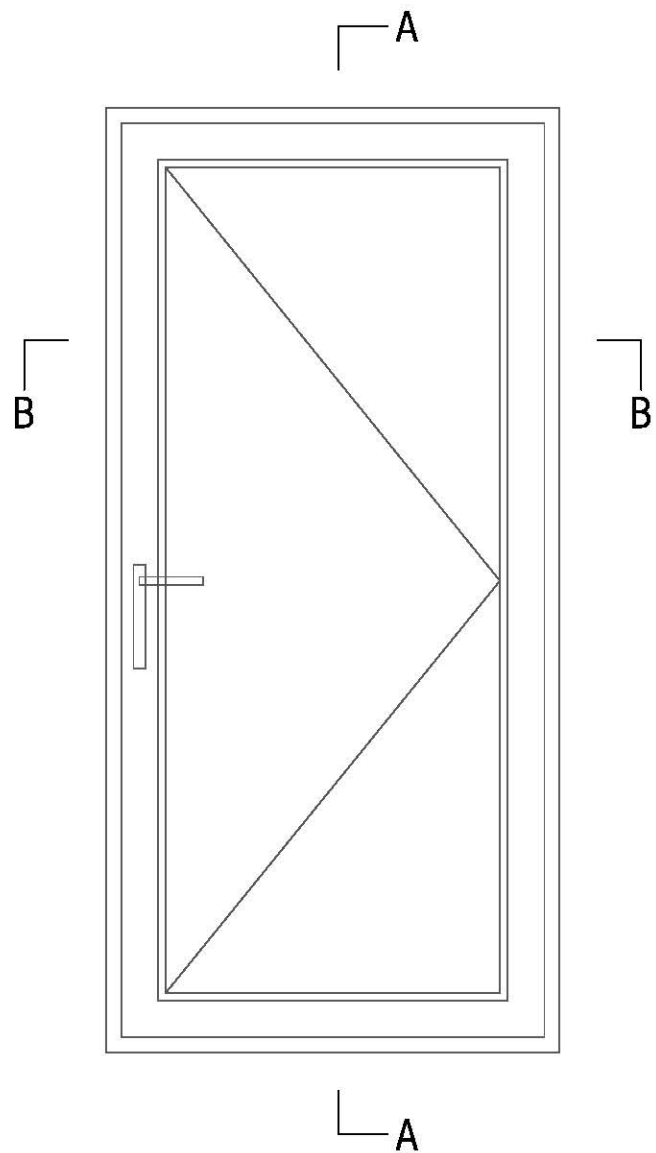
Drawn by: FHS



Section: B-B



Section: A-A



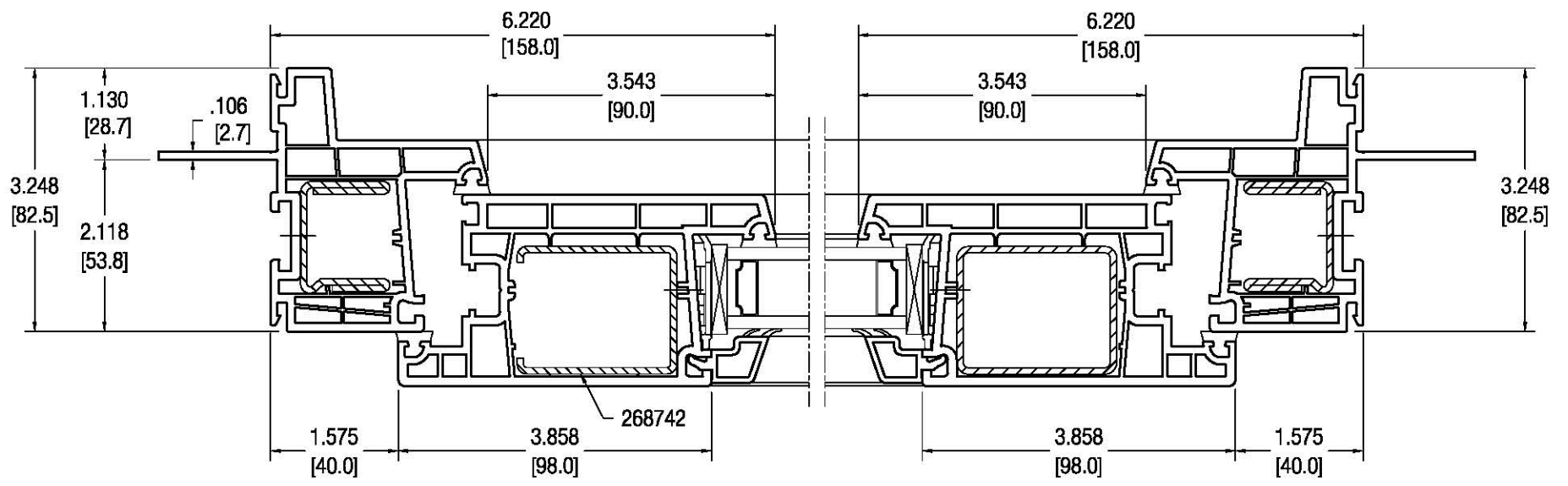
Rev #	Revision Description & Date

Before using the drawing, the user must determine suitability of the drawing for user's intended use and shall assume all risk and liability in connection therewith. REHAU DISCLAIMS ALL WARRANTIES, EXPRESS OR IMPLIED, INCLUDING BUT NOT LIMITED TO ANY IMPLIED WARRANTIES OF MERCHANTABILITY OR FITNESS FOR A PARTICULAR PURPOSE.

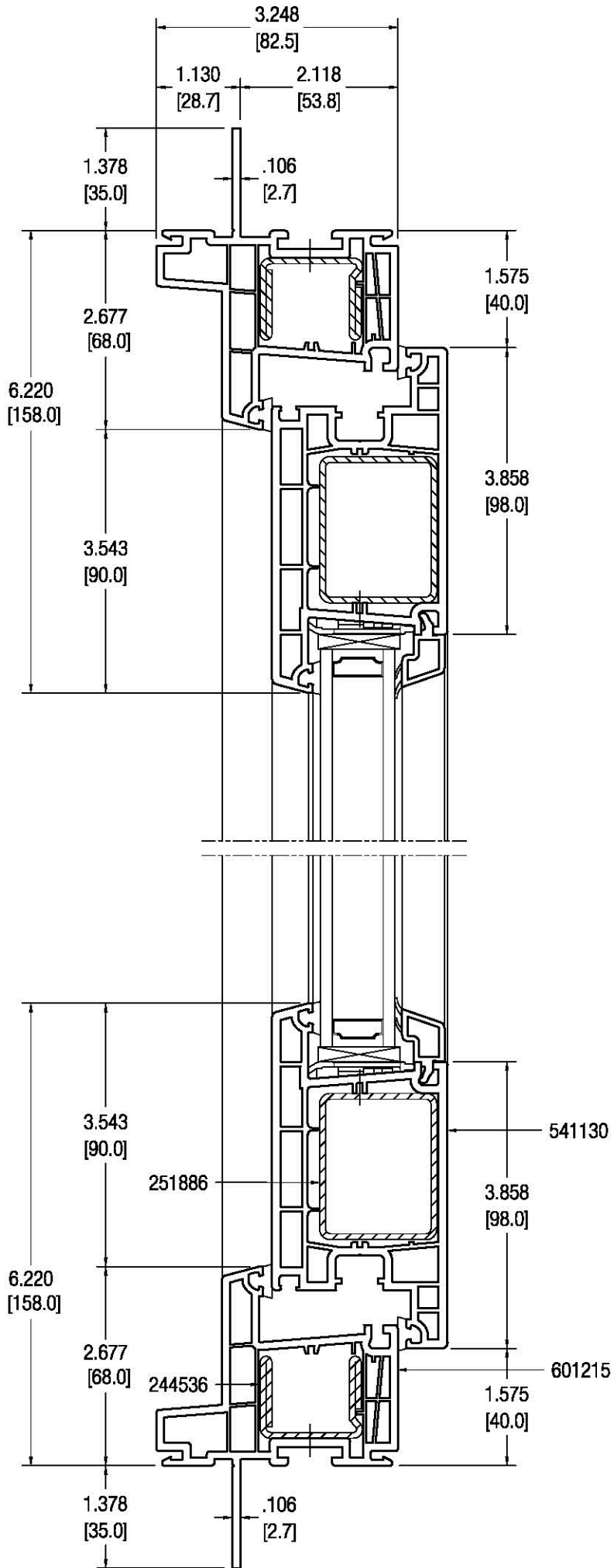


REHAU Construction LLC
1501 Edwards Ferry Road, NE
Leesburg, Virginia 20176
Tel: (703) 777-5255

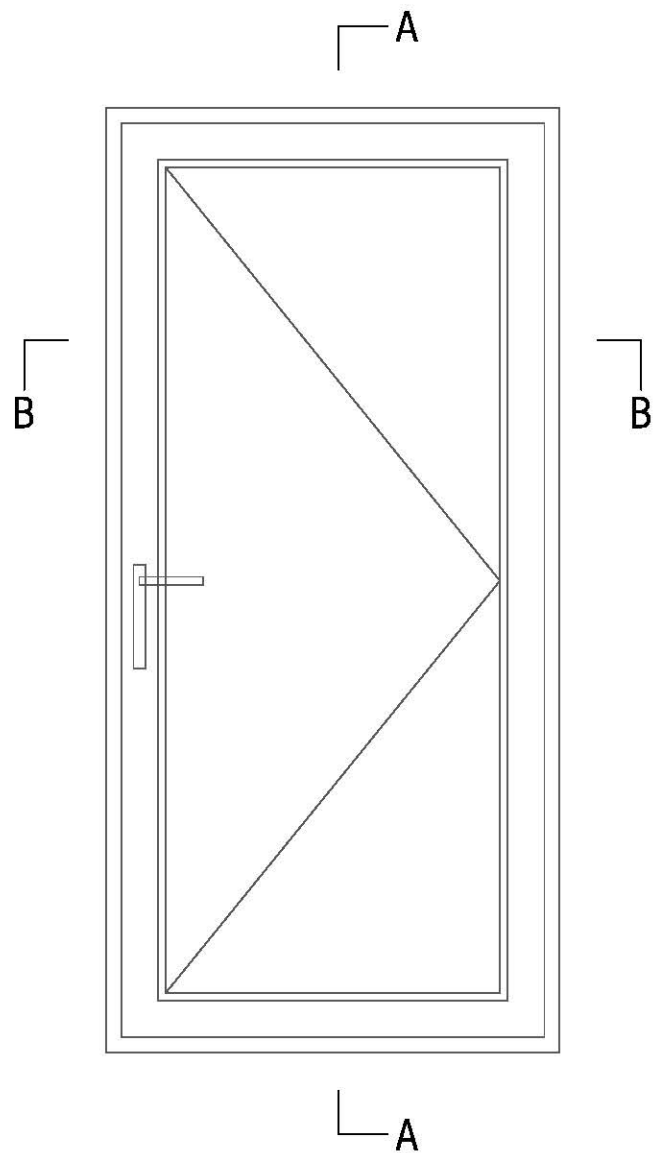
System: 4500 SERIES		Title: Single In-Swing Door use NA Frame and Sash Z98	
Date: 03/29/2018	Scale:	Drawn by: FHS	
Drawing No.: 2002-16-088		SN:	Rev.: 1
© 2018 REHAU. Do not disclose without written permission			



Section: B-B



Section: A-A

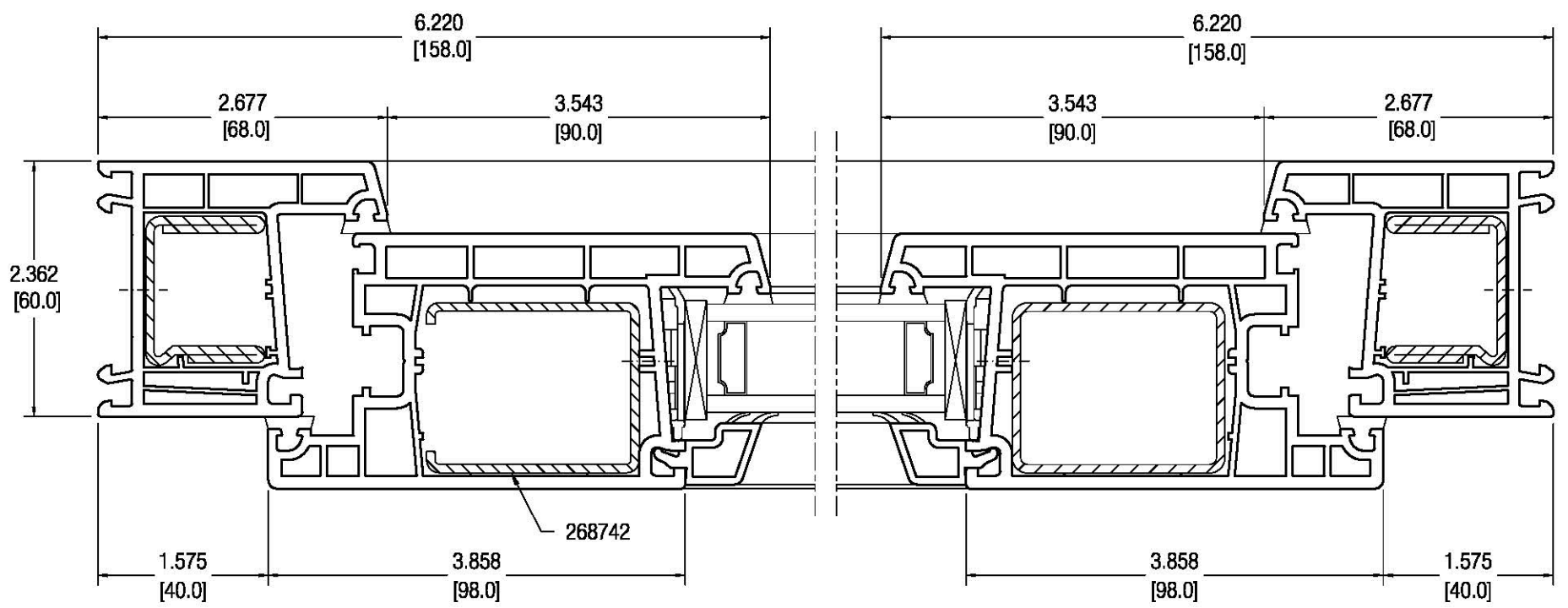


Rev #	Revision Description & Date

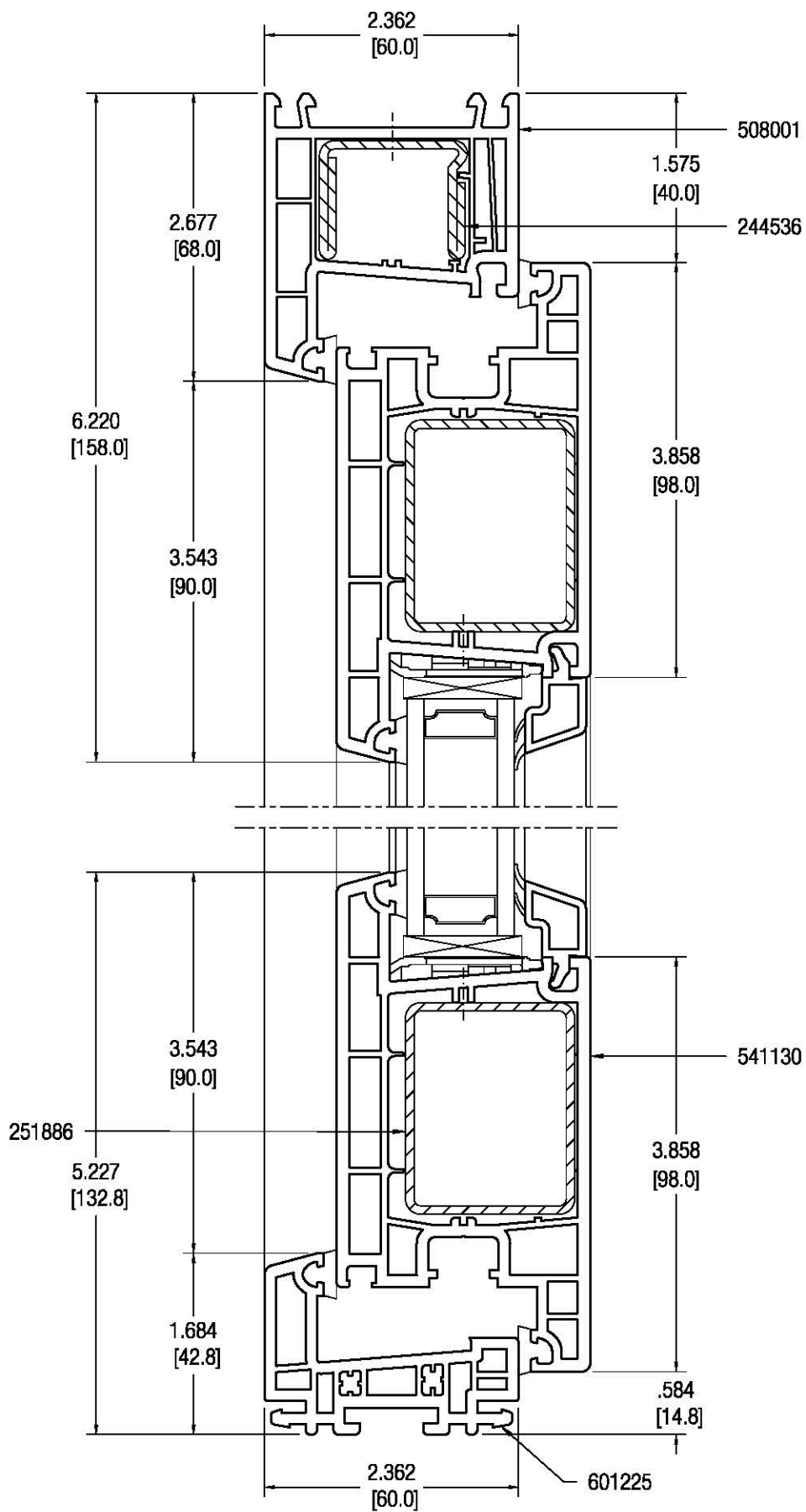
Before using the drawing, the user must determine suitability of the drawing for user's intended use and shall assume all risk and liability in connection therewith. REHAU DISCLAIMS ALL WARRANTIES, EXPRESS OR IMPLIED, INCLUDING BUT NOT LIMITED TO ANY IMPLIED WARRANTIES OF MERCHANTABILITY OR FITNESS FOR A PARTICULAR PURPOSE.



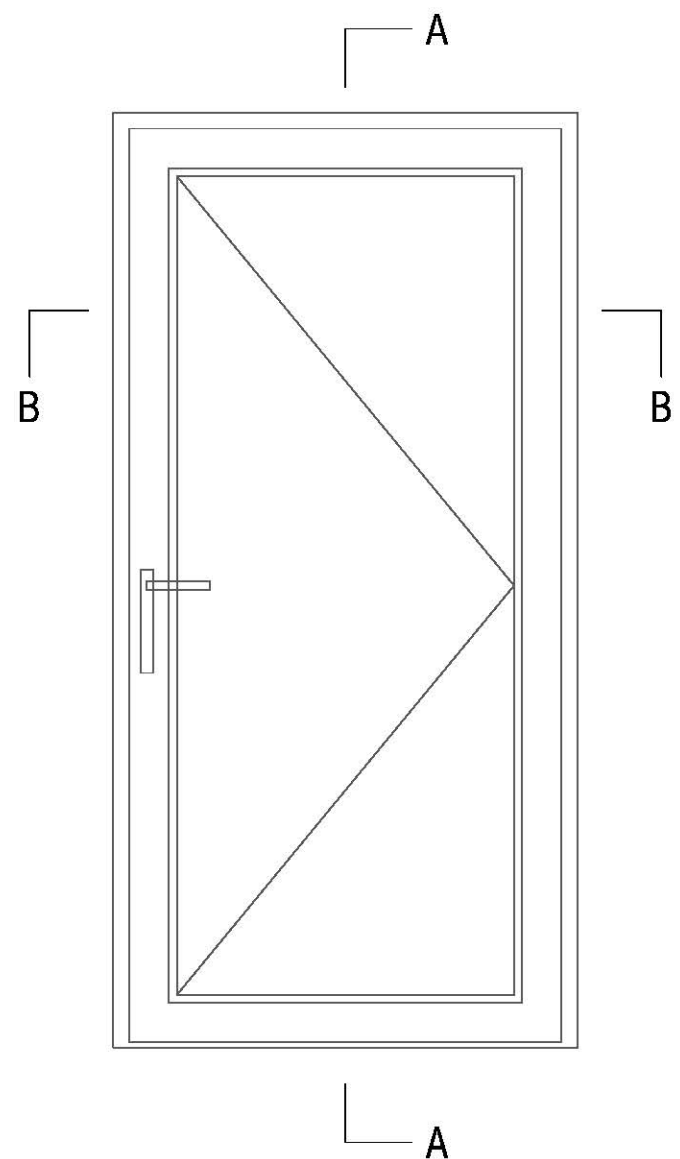
System: 4500 SERIES
 Title: Single In-Swing Door use NA Frame with Fin and Sash Z98
 Date: 03/29/2018 Scale: Drawn by: FHS
 Drawing No.: 2002-16-089 SN: Rev.: 1
 © 2018 REHAU. Do not disclose without written permission



Section: B-B



Section: A-A

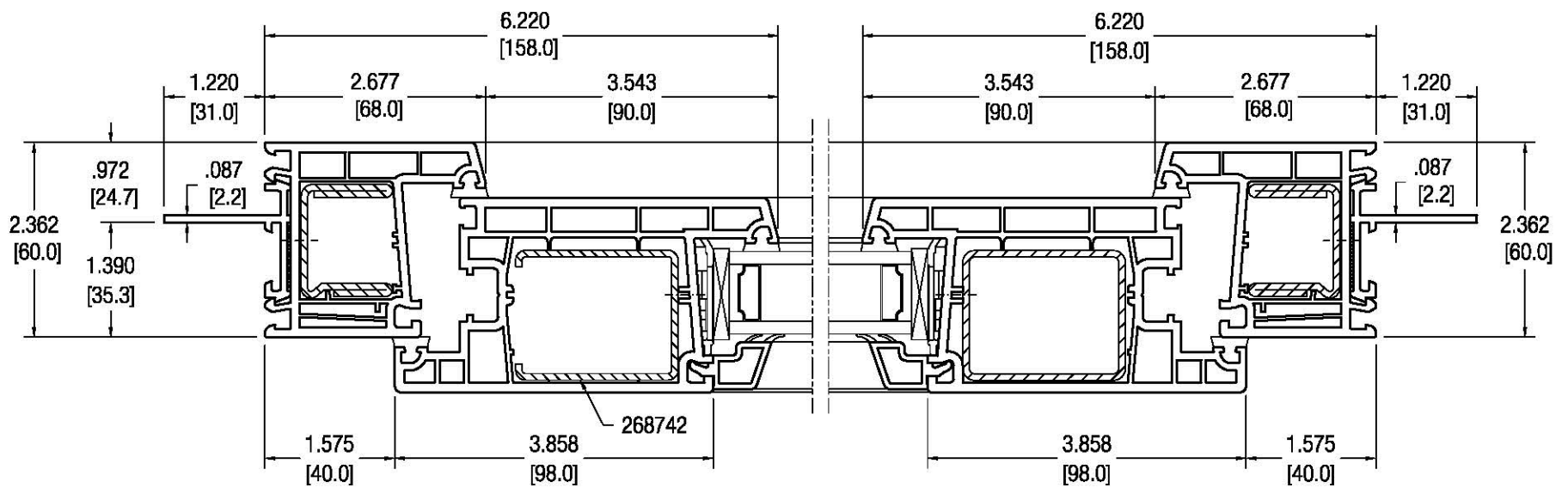


Rev #	Revision Description & Date

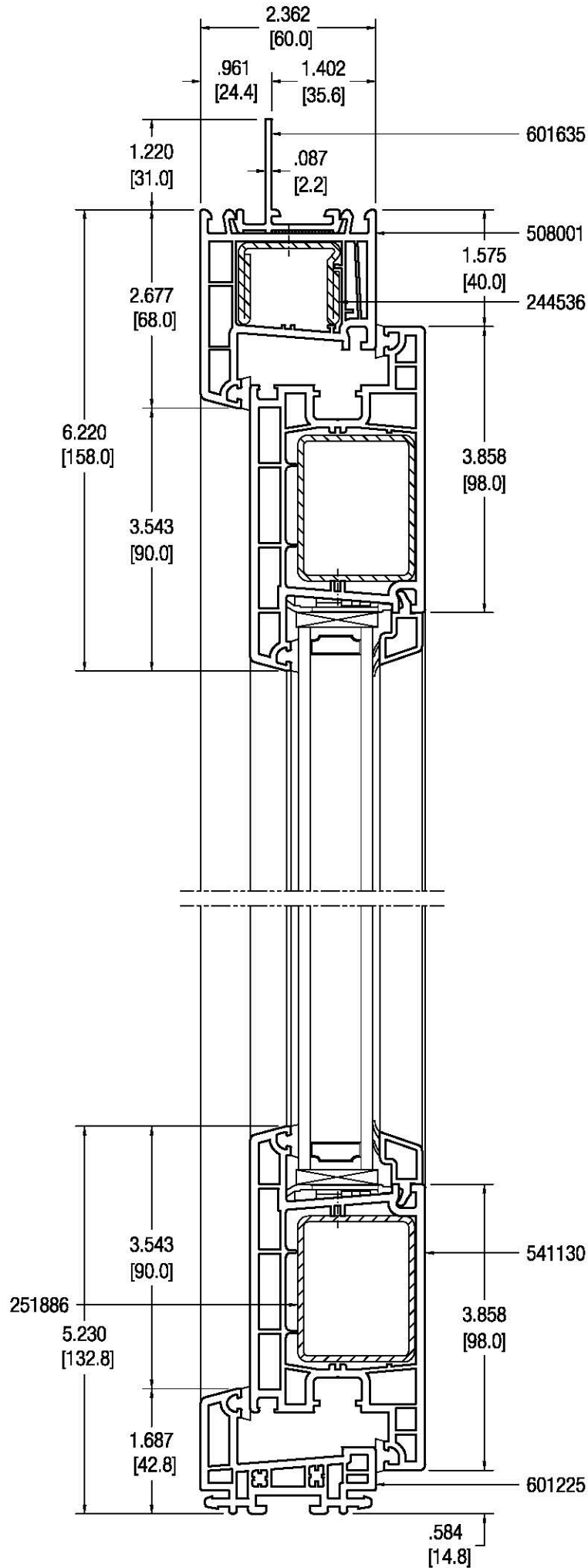
Before using the drawing, the user must determine suitability of the drawing for user's intended use and shall assume all risk and liability in connection therewith. REHAU DISCLAIMS ALL WARRANTIES, EXPRESS OR IMPLIED, INCLUDING BUT NOT LIMITED TO ANY IMPLIED WARRANTIES OF MERCHANTABILITY OR FITNESS FOR A PARTICULAR PURPOSE.



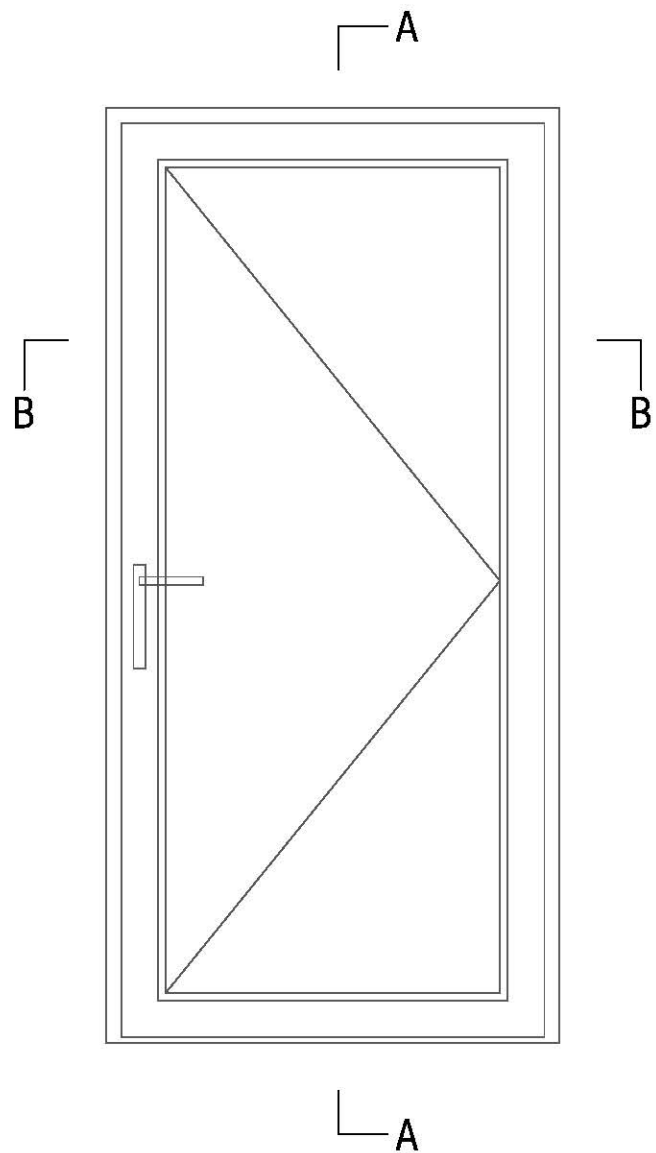
System: 4500 SERIES	
Title: Single IN-Swing Door use EU Frame, Sash Z98 and Sub-Sill	
Date: 03/29/2018	Scale:
Drawing No.: 2002-16-090	Drawn by: FHS
© 2018 REHAU. Do not disclose without written permission	SN: Rev.: 1



Section: B-B



Section: A-A



Rev #	Revision Description & Date

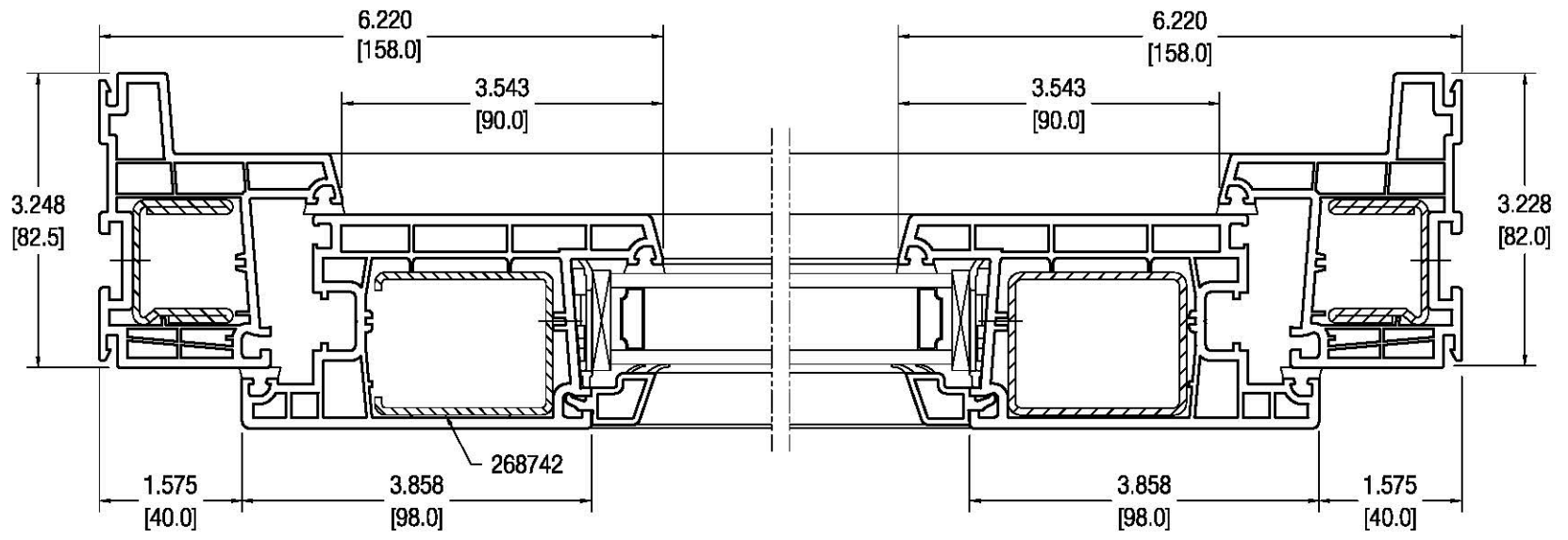
Before using the drawing, the user must determine suitability of the drawing for user's intended use and shall assume all risk and liability in connection therewith. REHAU DISCLAIMS ALL WARRANTIES, EXPRESS OR IMPLIED, INCLUDING BUT NOT LIMITED TO ANY IMPLIED WARRANTIES OF MERCHANTABILITY OR FITNESS FOR A PARTICULAR PURPOSE.



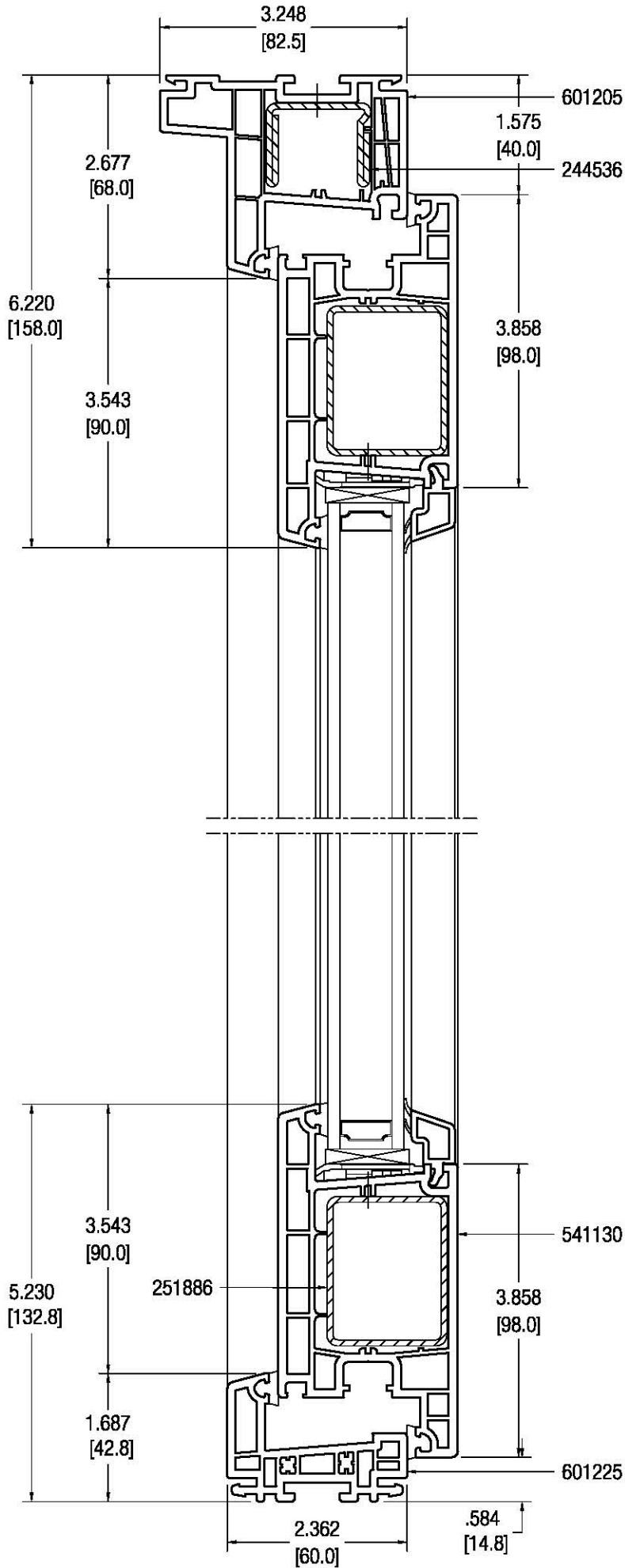
System: 4500 SERIES	
Title: Single In-Swing Door use EU Frame Snap on Nail-Fin, Sash Z98 and Sub-Sill	
Date: 03/29/2018	Scale:
Drawing No.: 2002-16-091	SN: Rev.: 1
© 2018 REHAU. Do not disclose without written permission	

Drawn by: FHS

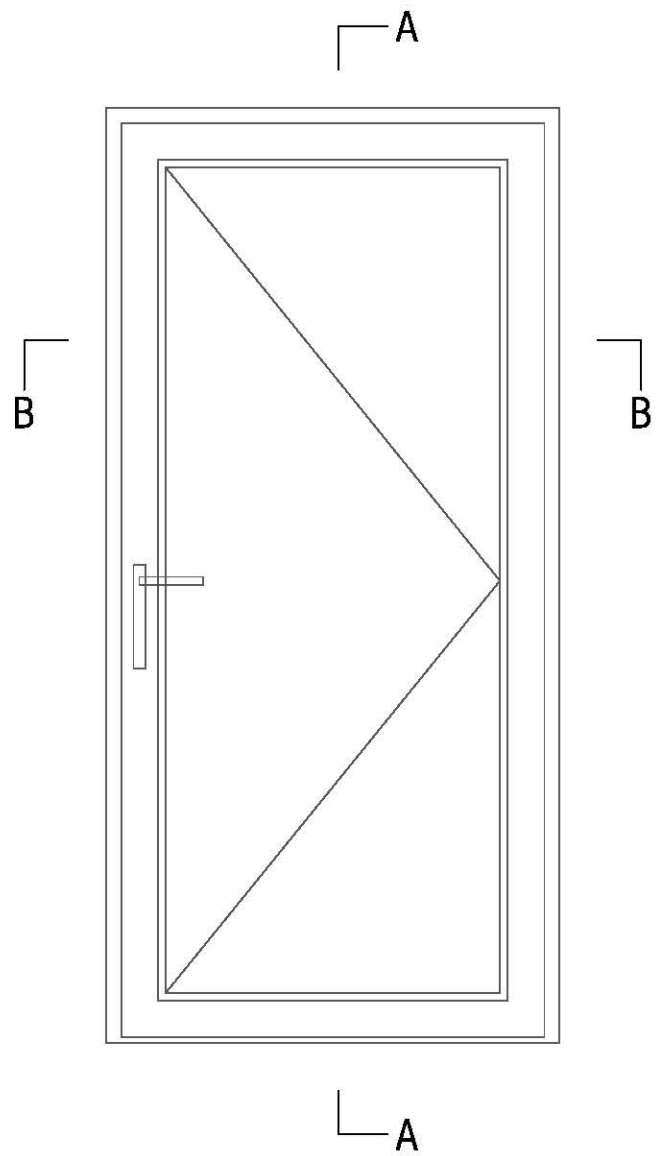
SN: Rev.: 1



Section: B-B



Section: A-A

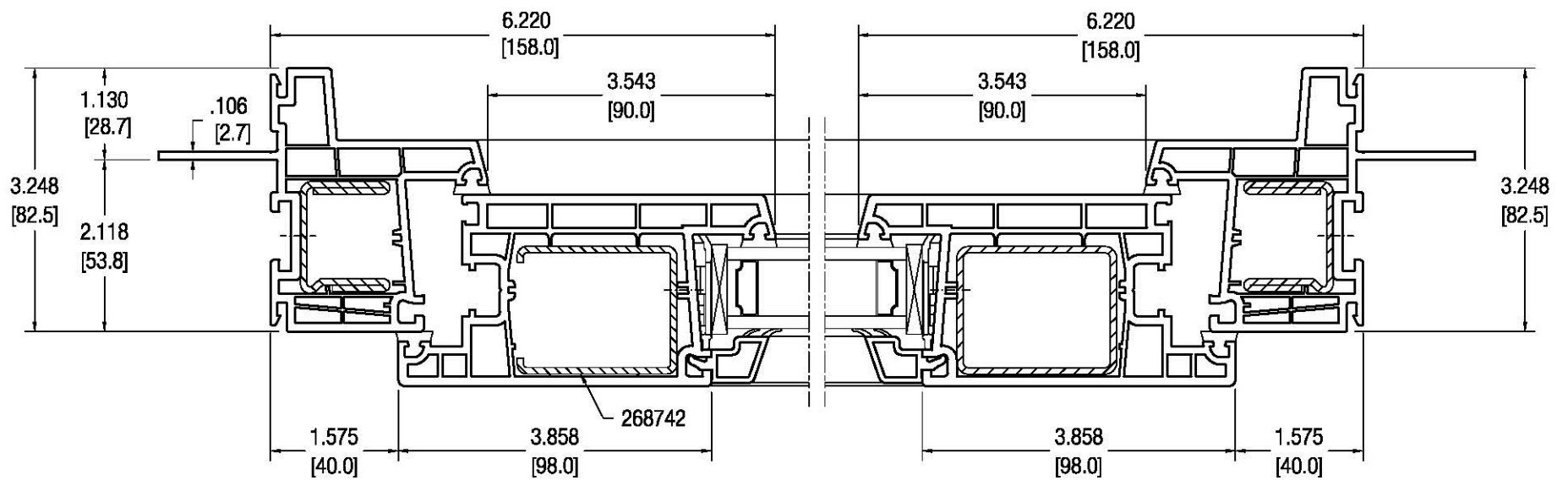


Rev #	Revision Description & Date

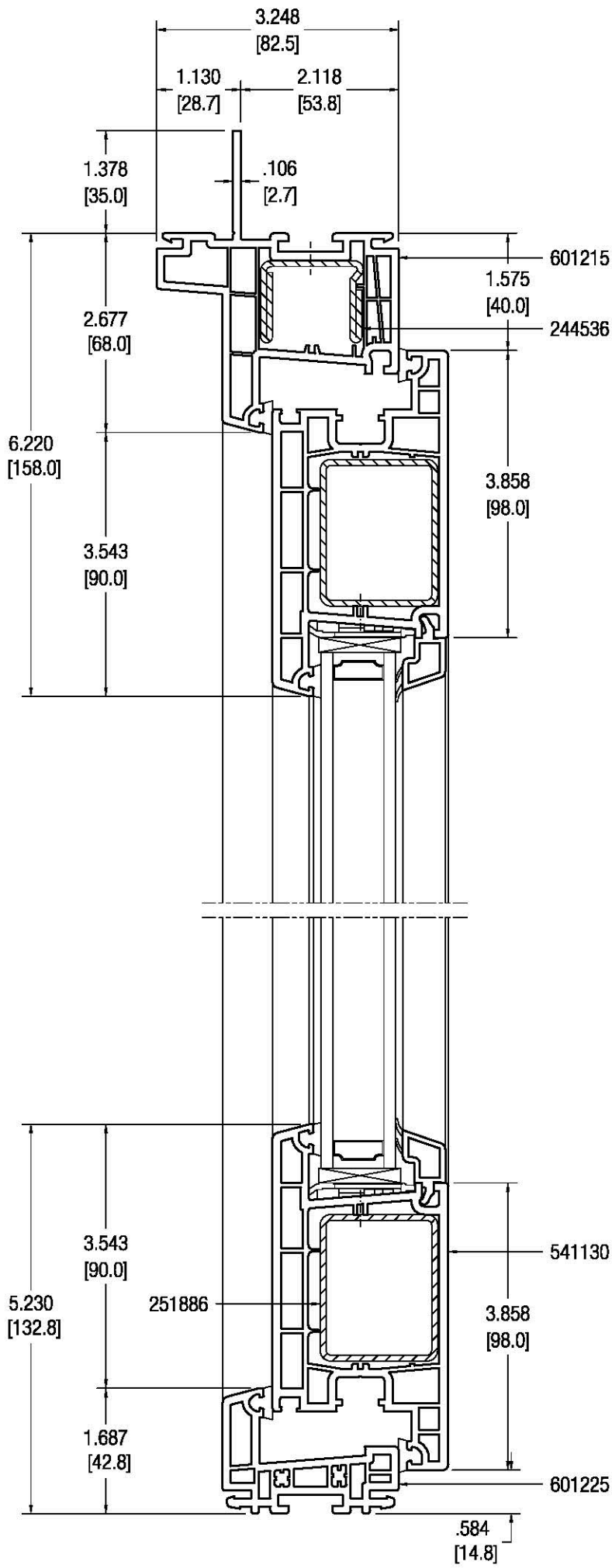
Before using the drawing, the user must determine suitability of the drawing for user's intended use and shall assume all risk and liability in connection therewith. REHAU DISCLAIMS ALL WARRANTIES, EXPRESS OR IMPLIED, INCLUDING BUT NOT LIMITED TO ANY IMPLIED WARRANTIES OF MERCHANTABILITY OR FITNESS FOR A PARTICULAR PURPOSE.



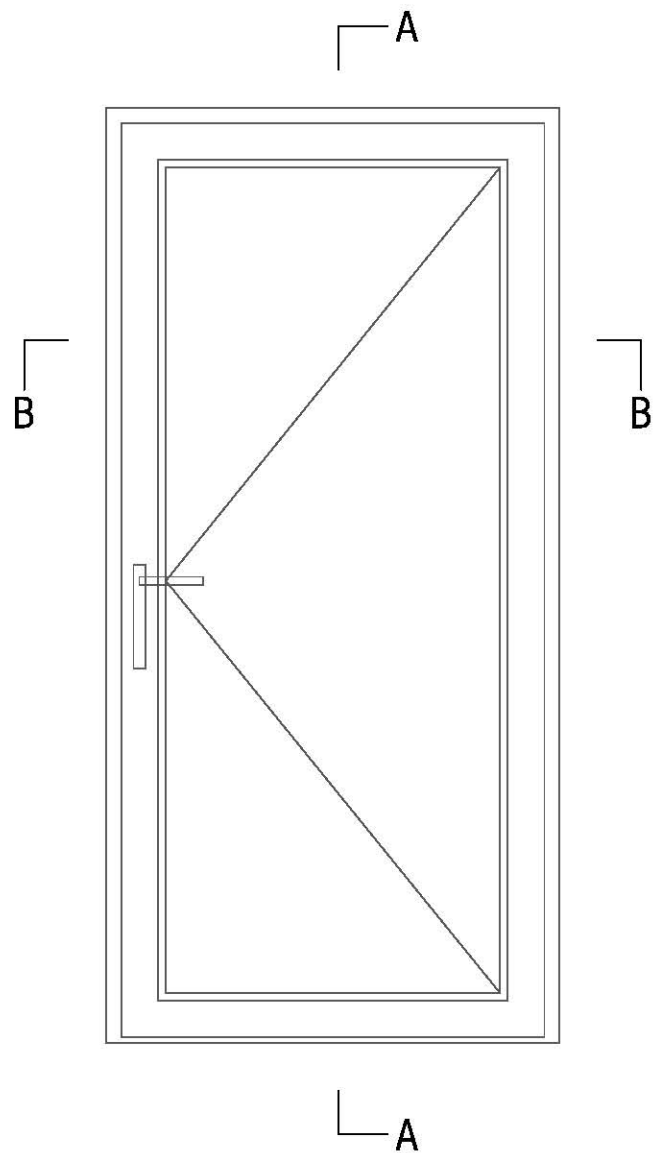
System: 4500 SERIES		Title: Single In-Swing Door use NA Frame, Sash Z98 and Sub-Sill	
Date: 03/29/2018	Scale:	Drawn by: FHS	
Drawing No.: 2002-16-092		SN:	Rev.: 1
© 2018 REHAU. Do not disclose without written permission			



Section: B-B



Section: A-A

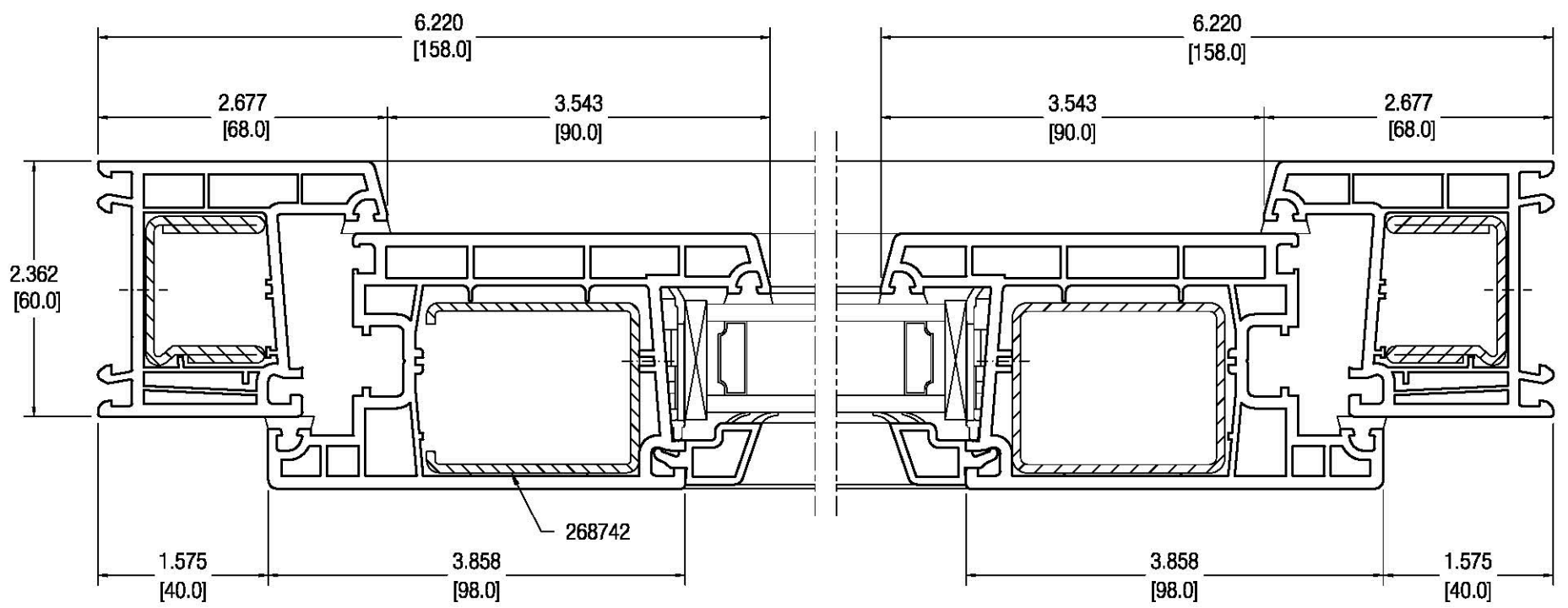


Rev #	Revision Description & Date

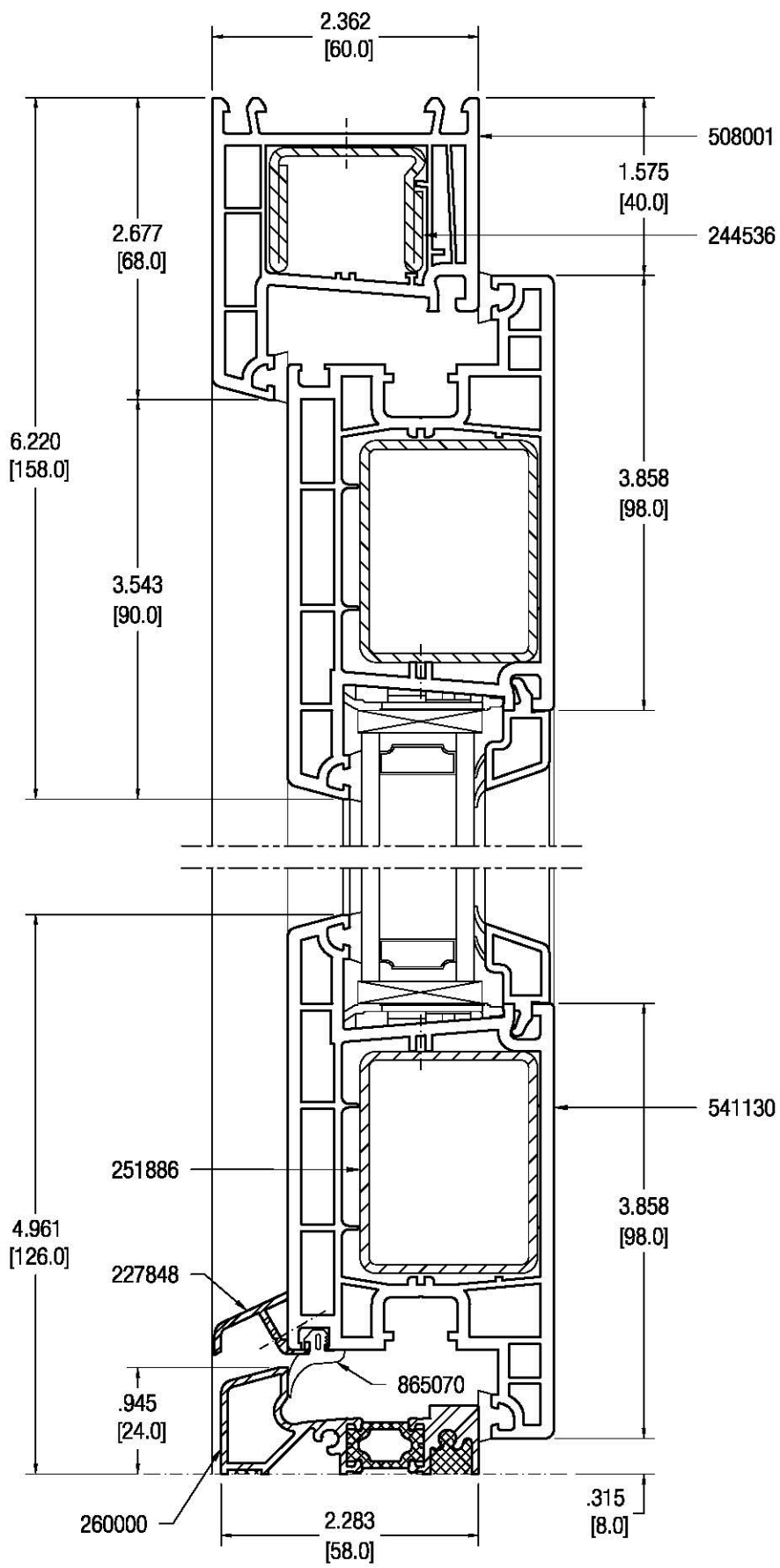
Before using the drawing, the user must determine suitability of the drawing for user's intended use and shall assume all risk and liability in connection therewith. REHAU DISCLAIMS ALL WARRANTIES, EXPRESS OR IMPLIED, INCLUDING BUT NOT LIMITED TO ANY IMPLIED WARRANTIES OF MERCHANTABILITY OR FITNESS FOR A PARTICULAR PURPOSE.

CRYSTAL
WINDOW & DOOR SYSTEMS, LTD.
WWW.CRYSTALWINDOWS.COM

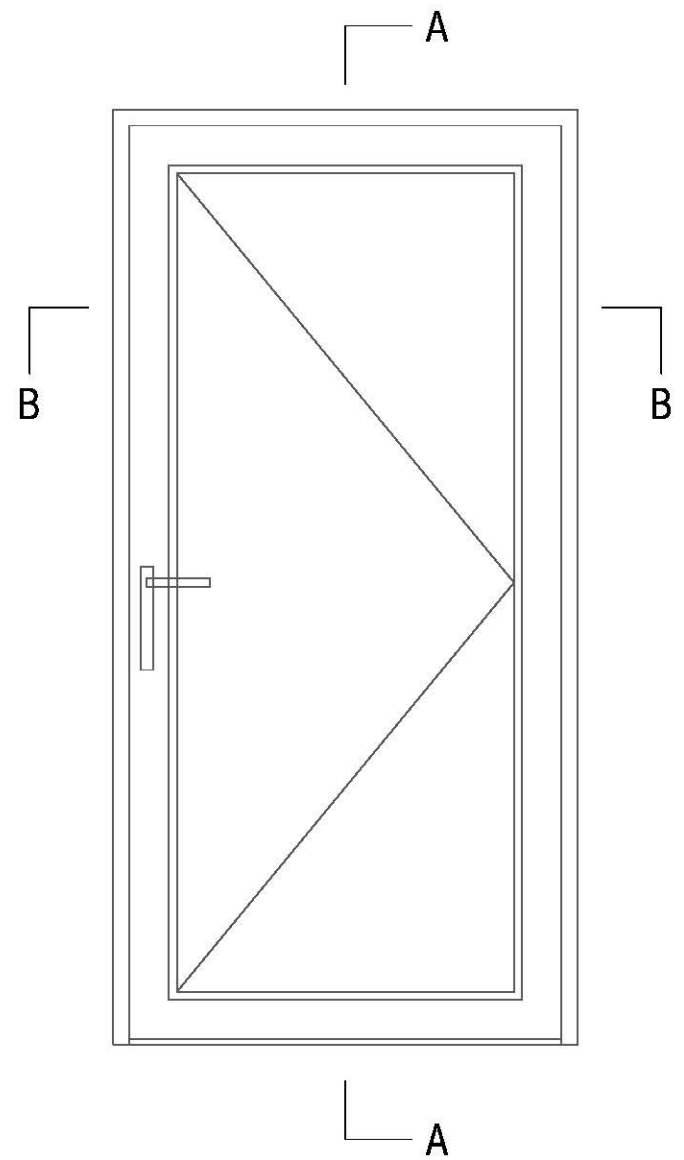
System: 4500 SERIES	
Title: Single In-Swing Door use NA Frame with Fin, Sash Z98 and Sub-Sill	
Date: 03/29/2018	Scale:
Drawing No.: 2002-16-093	Drawn by: FHS
	SN: Rev.: 1
© 2018 REHAU. Do not disclose without written permission	



Section: B-B



Section: A-A

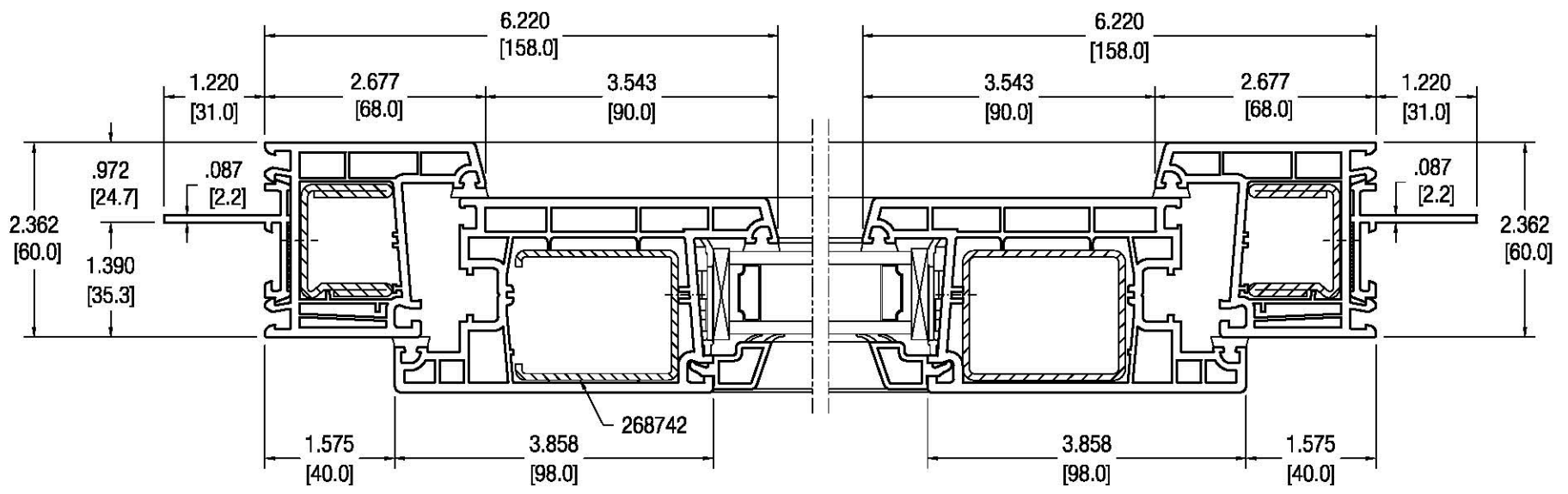


Rev #	Revision Description & Date

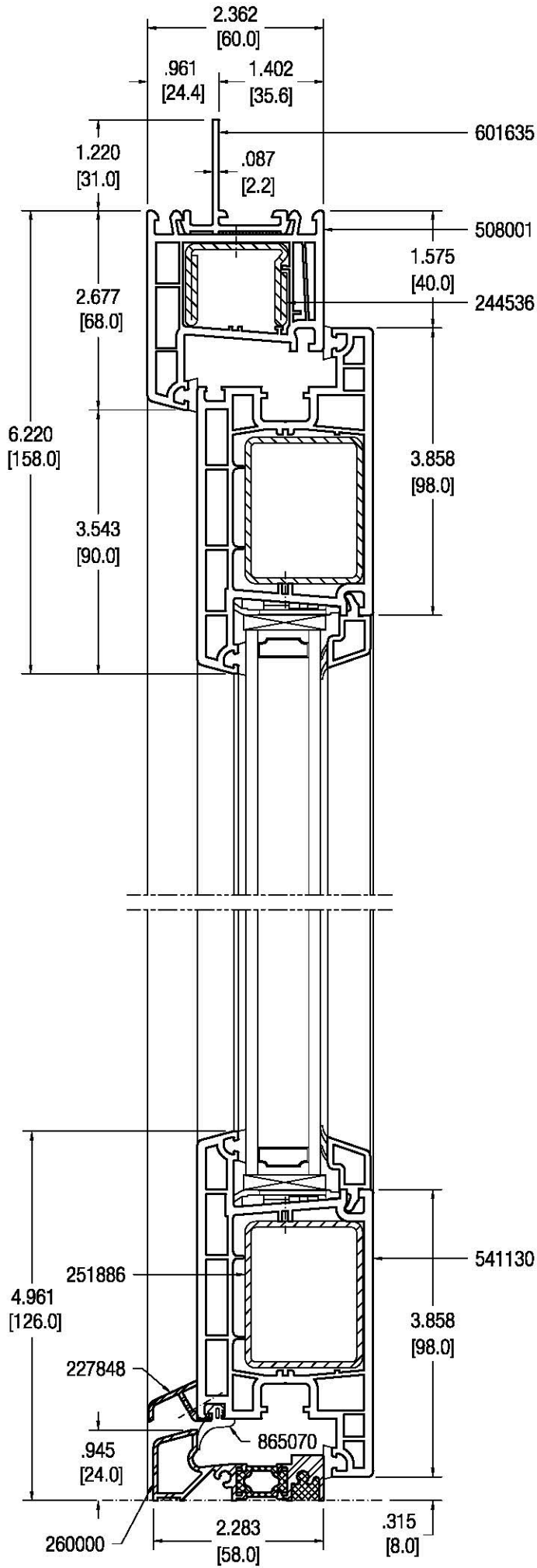
Before using the drawing, the user must determine suitability of the drawing for user's intended use and shall assume all risk and liability in connection therewith. REHAU DISCLAIMS ALL WARRANTIES, EXPRESS OR IMPLIED, INCLUDING BUT NOT LIMITED TO ANY IMPLIED WARRANTIES OF MERCHANTABILITY OR FITNESS FOR A PARTICULAR PURPOSE.



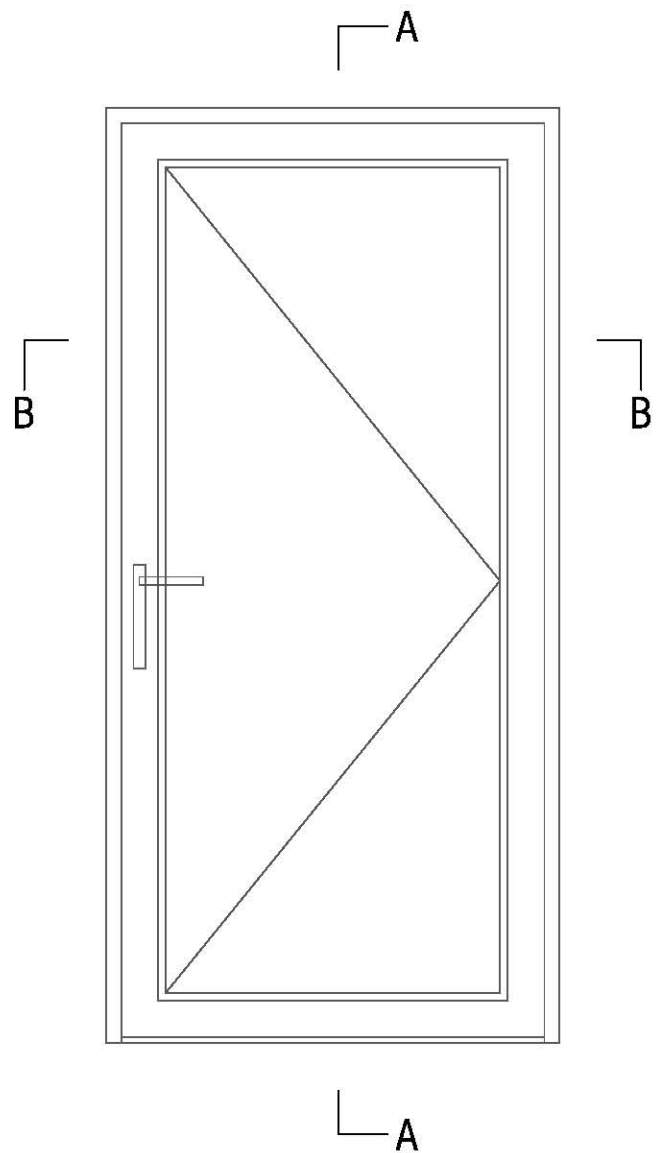
System: 4500 SERIES	
Title: Single IN-Swing Door use EU Frame, Sash Z98 and Alu-Threshold	
Date: 03/29/2018	Scale:
Drawing No.: 2002-16-094	SN:
Drawn by: FHS	Rev.: 1
© 2018 REHAU. Do not disclose without written permission	



Section: B-B



Section: A-A



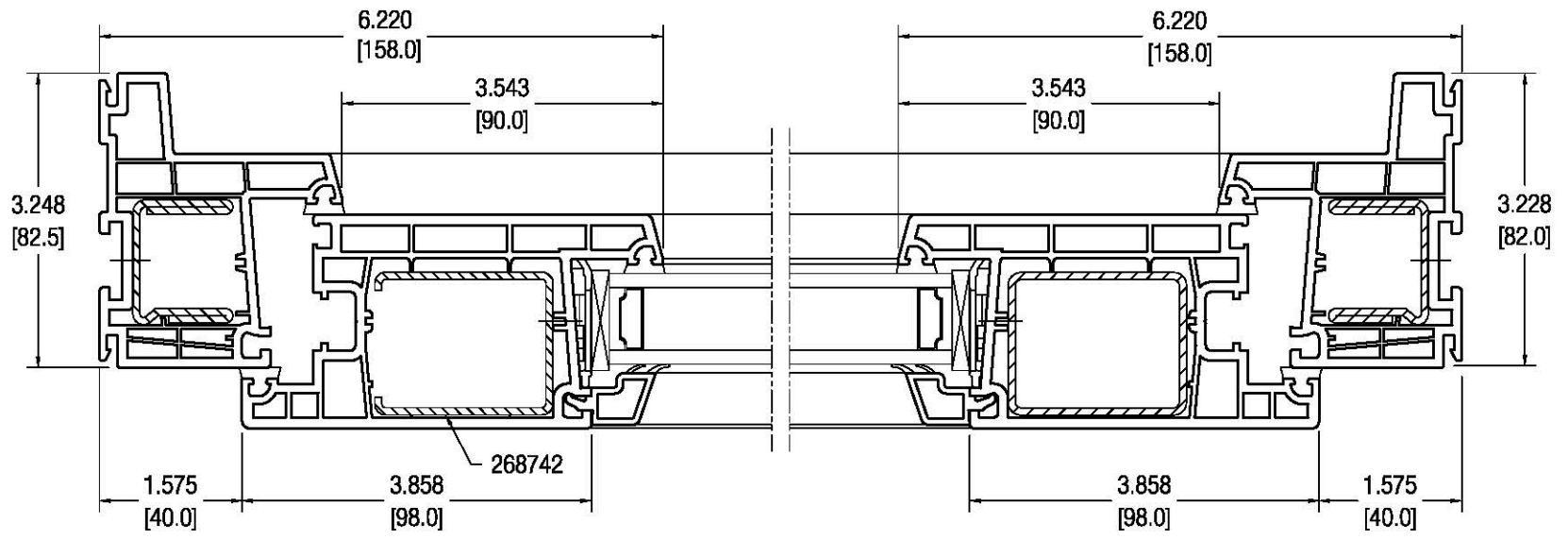
Rev #	Revision Description & Date

Before using the drawing, the user must determine suitability of the drawing for user's intended use and shall assume all risk and liability in connection therewith. REHAU DISCLAIMS ALL WARRANTIES, EXPRESS OR IMPLIED, INCLUDING BUT NOT LIMITED TO ANY IMPLIED WARRANTIES OF MERCHANTABILITY OR FITNESS FOR A PARTICULAR PURPOSE.

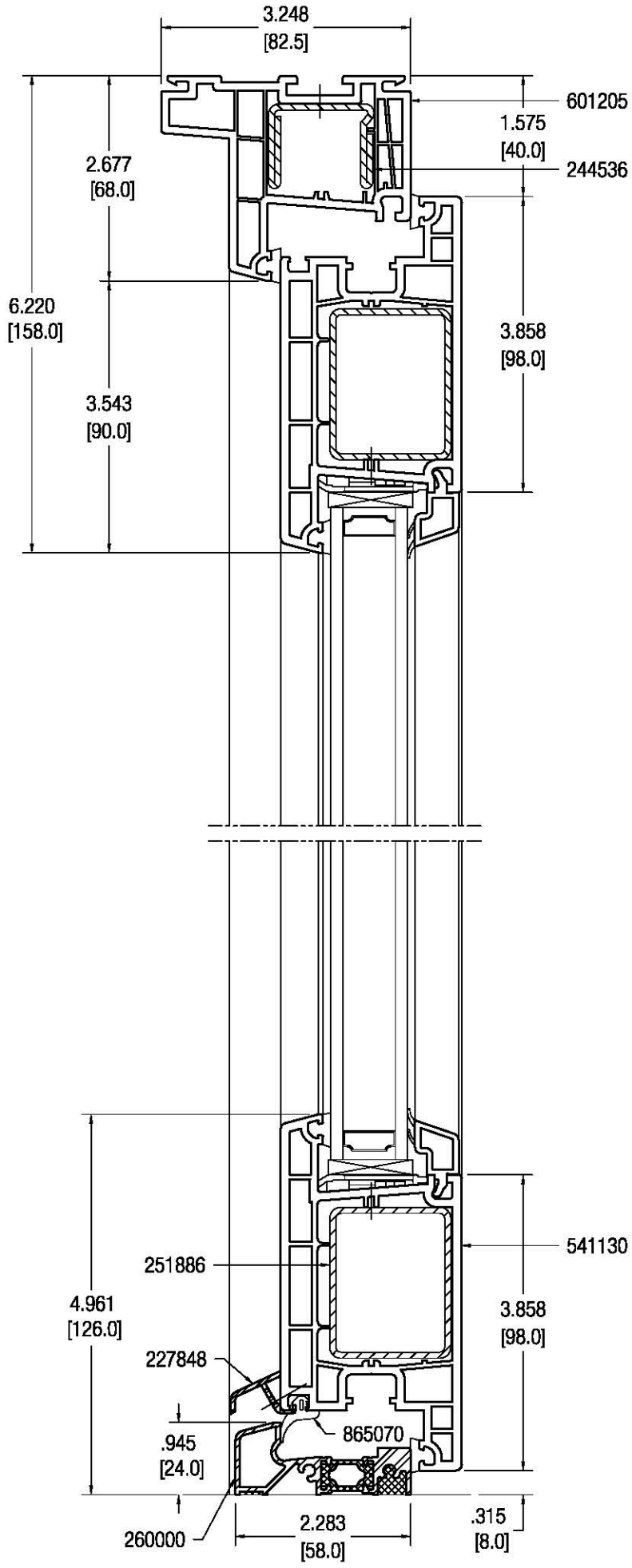


System: 4500 SERIES	
Title: Single In-Swing Door use EU Frame Snap on Nail-Fin, Sash Z98 and Alu-Threshold	
Date: 03/29/2018	Scale:
Drawing No.: 2002-16-095	SN: Rev.: 1
© 2018 REHAU. Do not disclose without written permission	

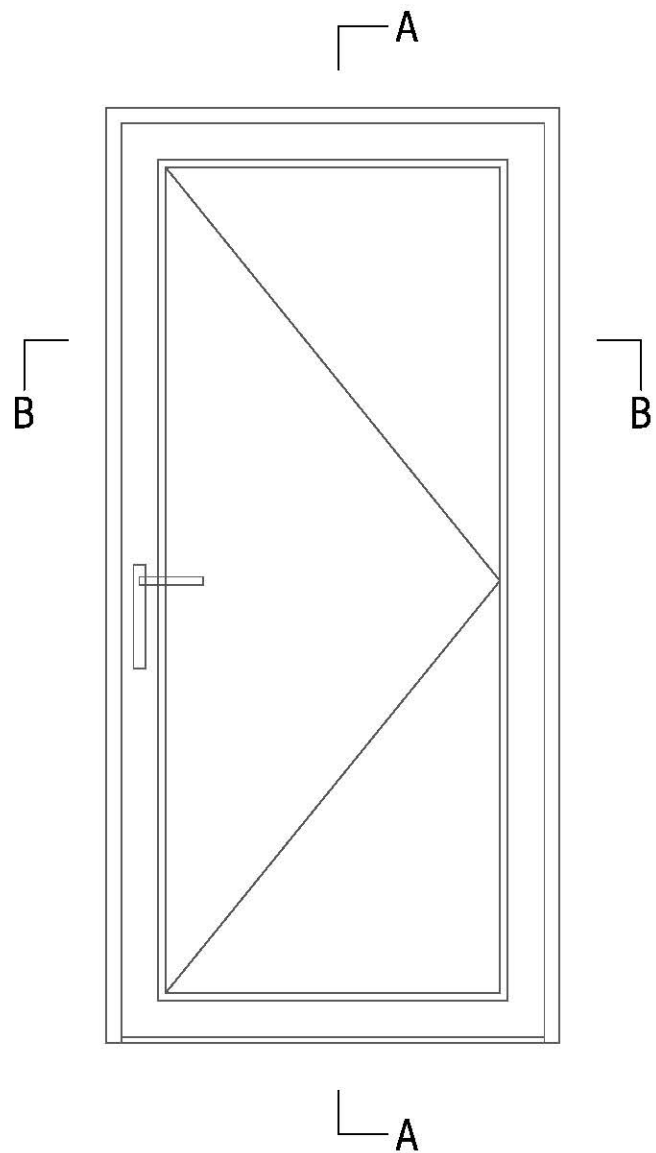
Drawn by: FHS



Section: B-B



Section: A-A



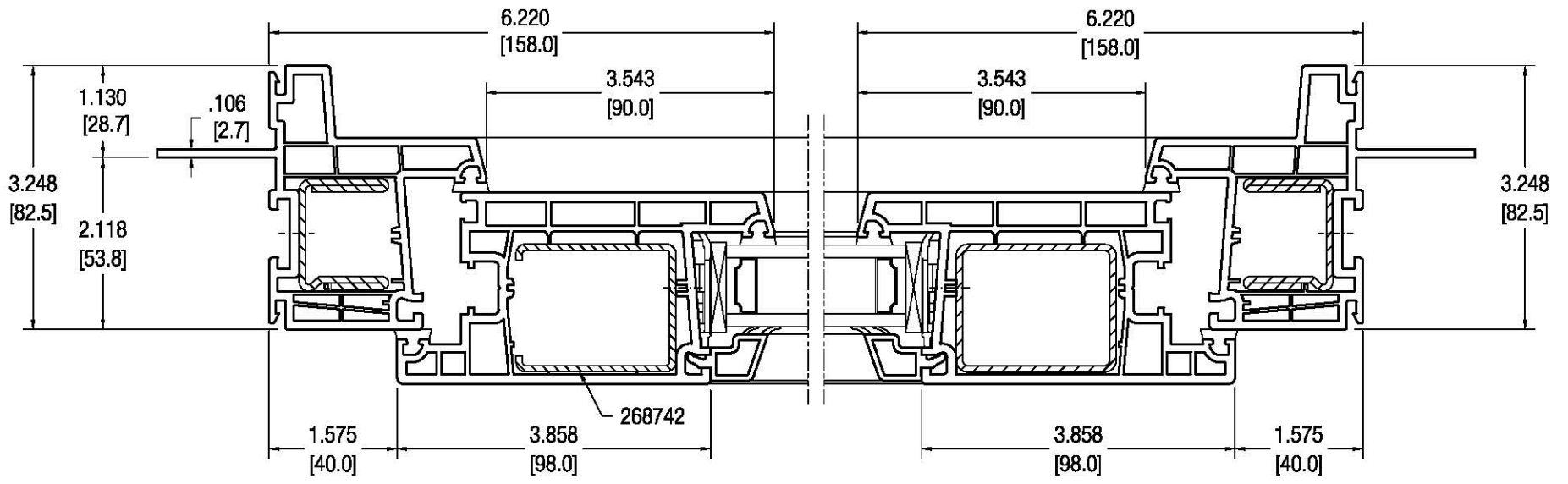
Rev #	Revision Description & Date

Before using the drawing, the user must determine suitability of the drawing for user's intended use and shall assume all risk and liability in connection therewith. REHAU DISCLAIMS ALL WARRANTIES, EXPRESS OR IMPLIED, INCLUDING BUT NOT LIMITED TO ANY IMPLIED WARRANTIES OF MERCHANTABILITY OR FITNESS FOR A PARTICULAR PURPOSE.

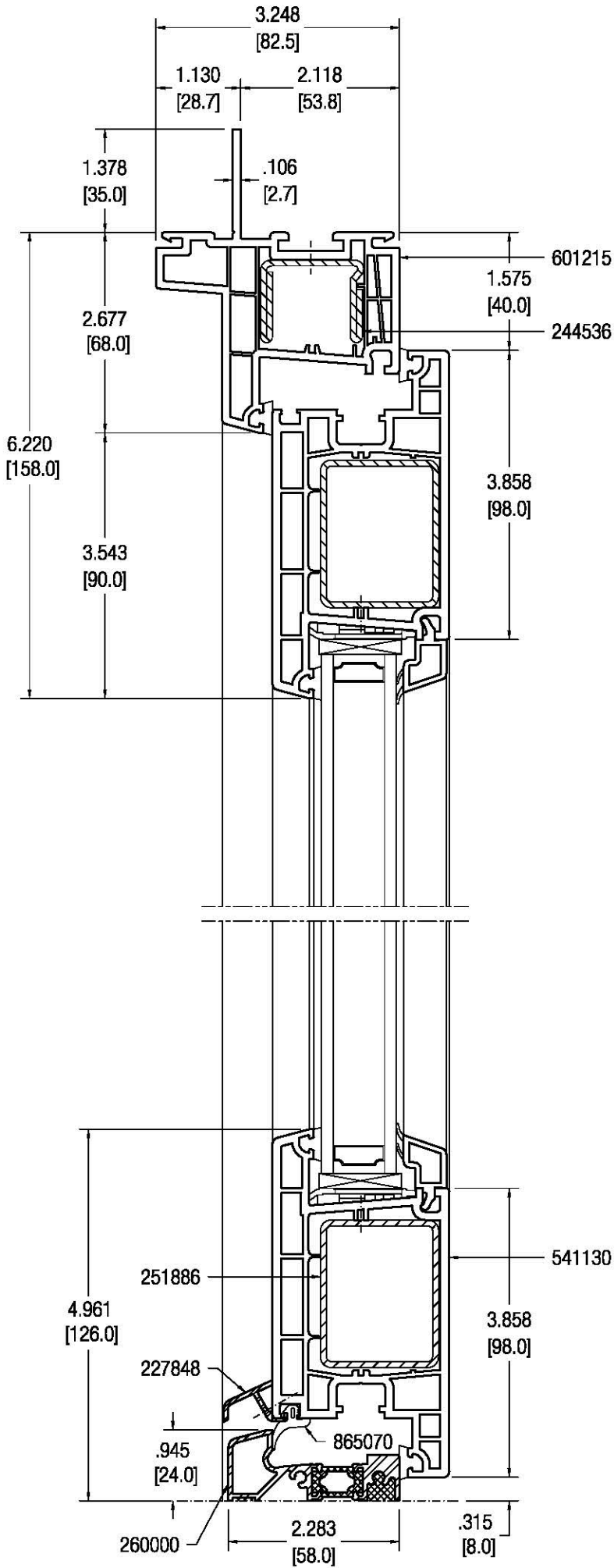


System: 4500 SERIES	
Title: Single In-Swing Door use NA Frame, Sash Z98 and Alu-Threshold	
Date: 03/29/2018	Scale:
Drawing No.: 2002-16-096	SN: Rev.: 1
© 2018 REHAU. Do not disclose without written permission	

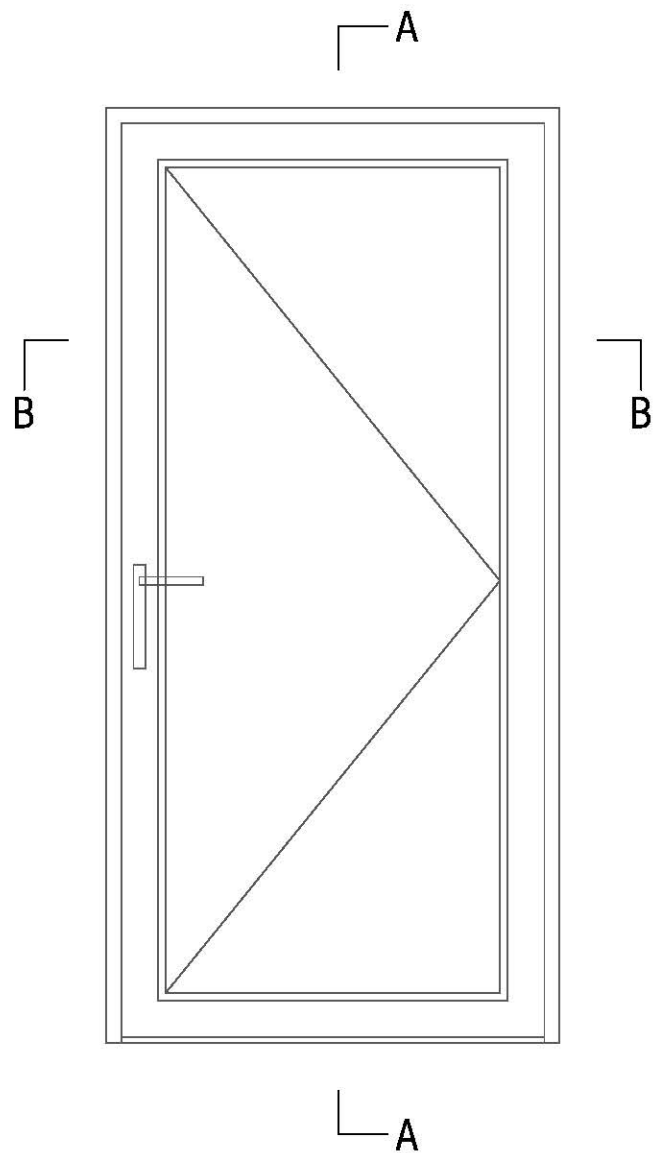
Drawn by: FHS



Section: B-B



Section: A-A

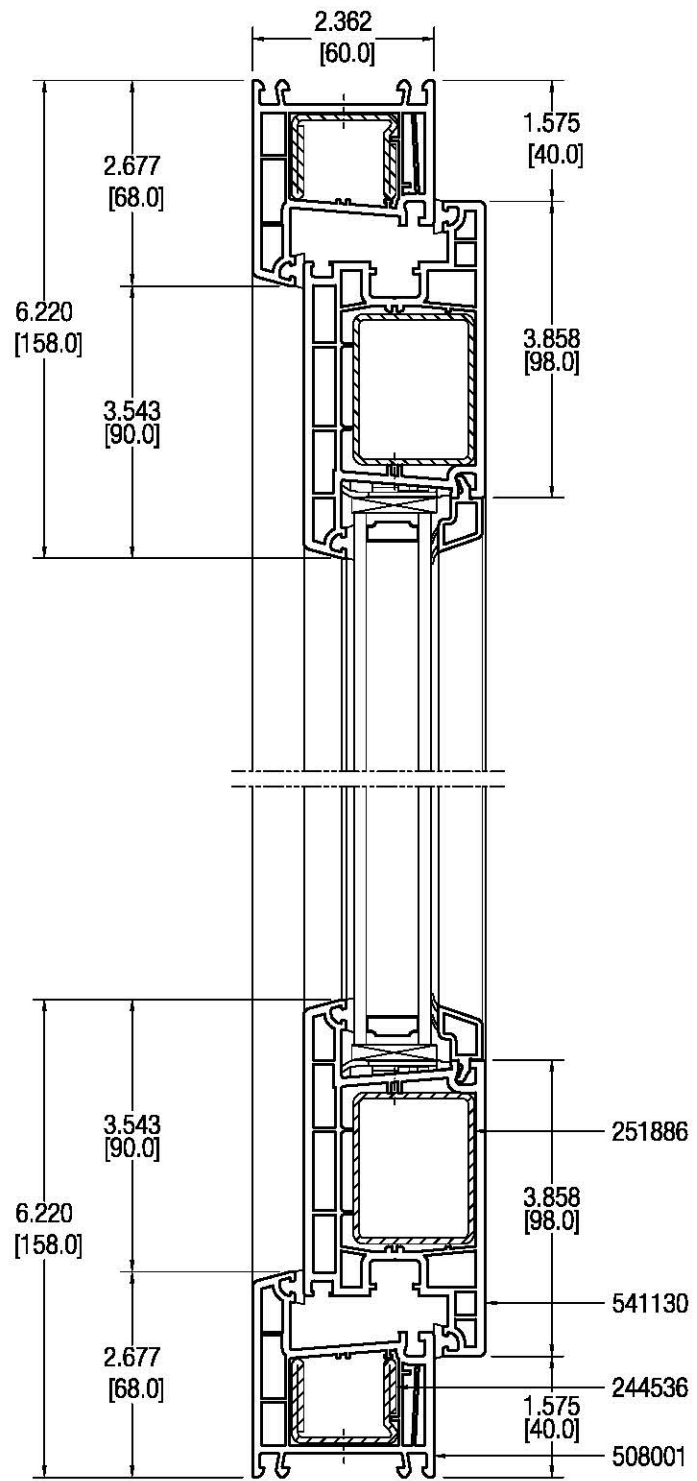


Rev #	Revision Description & Date

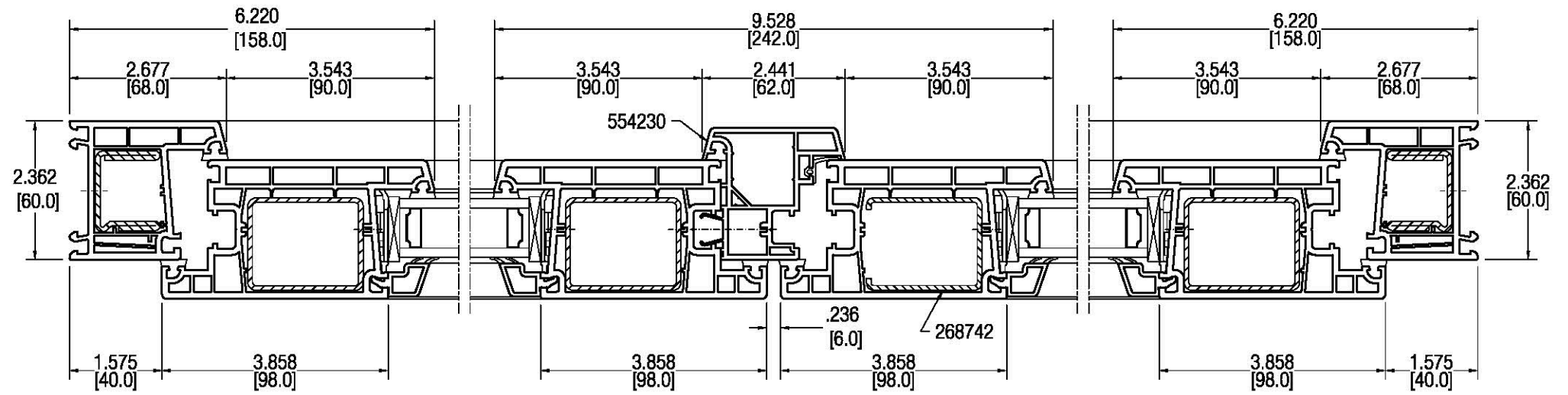
Before using the drawing, the user must determine suitability of the drawing for user's intended use and shall assume all risk and liability in connection therewith. REHAU DISCLAIMS ALL WARRANTIES, EXPRESS OR IMPLIED, INCLUDING BUT NOT LIMITED TO ANY IMPLIED WARRANTIES OF MERCHANTABILITY OR FITNESS FOR A PARTICULAR PURPOSE.



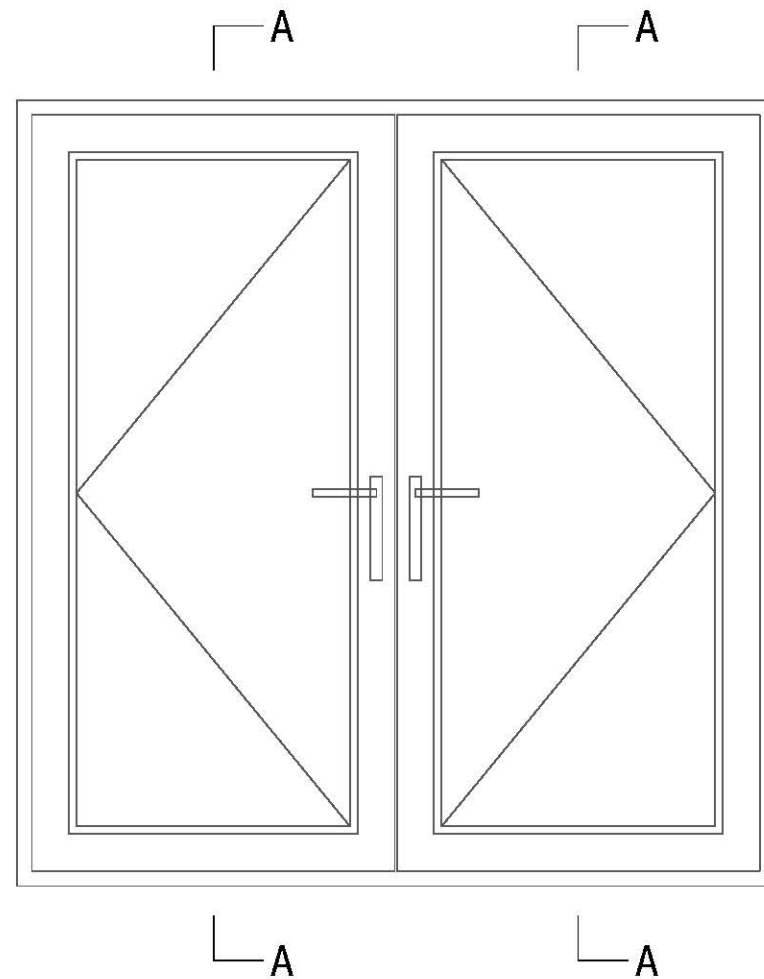
System: 4500 SERIES
 Title: Single In-Swing Door use NA Frame with Fin, Sash Z98 and Alu-Threshold
 Date: 03/29/2018 Scale: Drawn by: FHS
 Drawing No.: 2002-16-097 SN: Rev.: 1
 © 2018 REHAU. Do not disclose without written permission



Section: A-A



Section: B-B

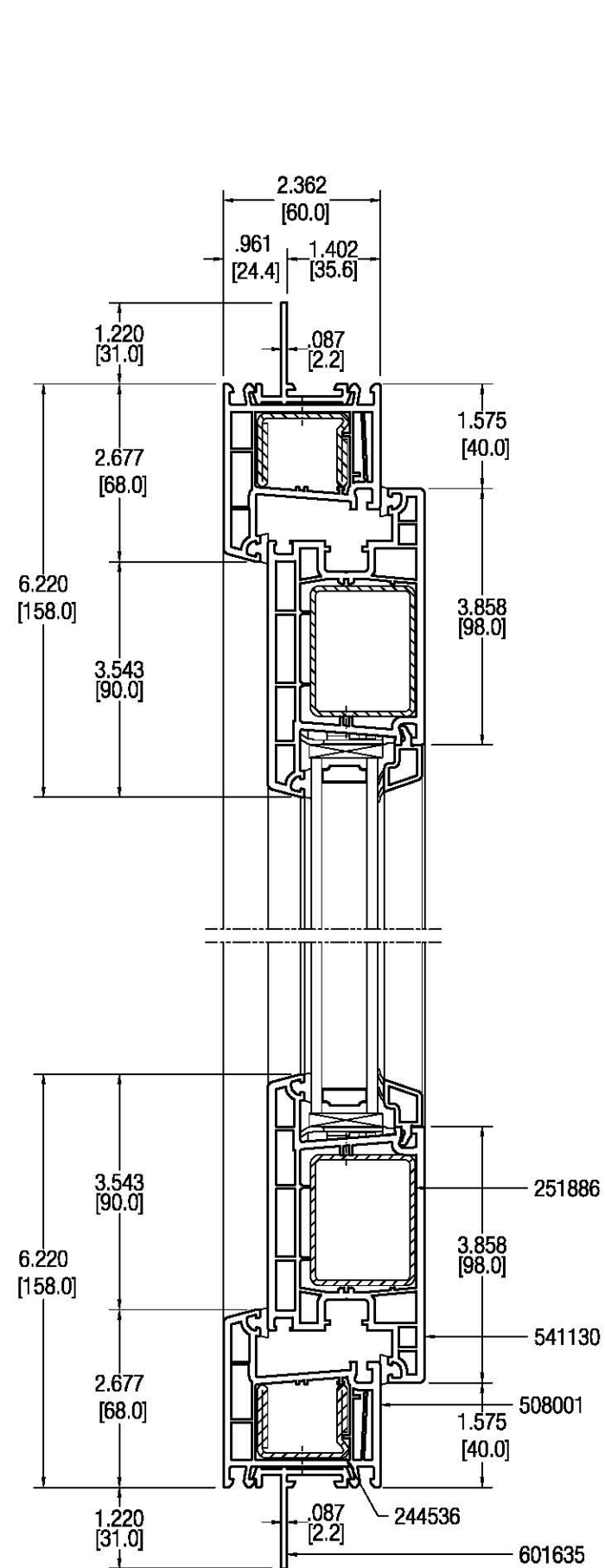


Rev #	Revision Description & Date

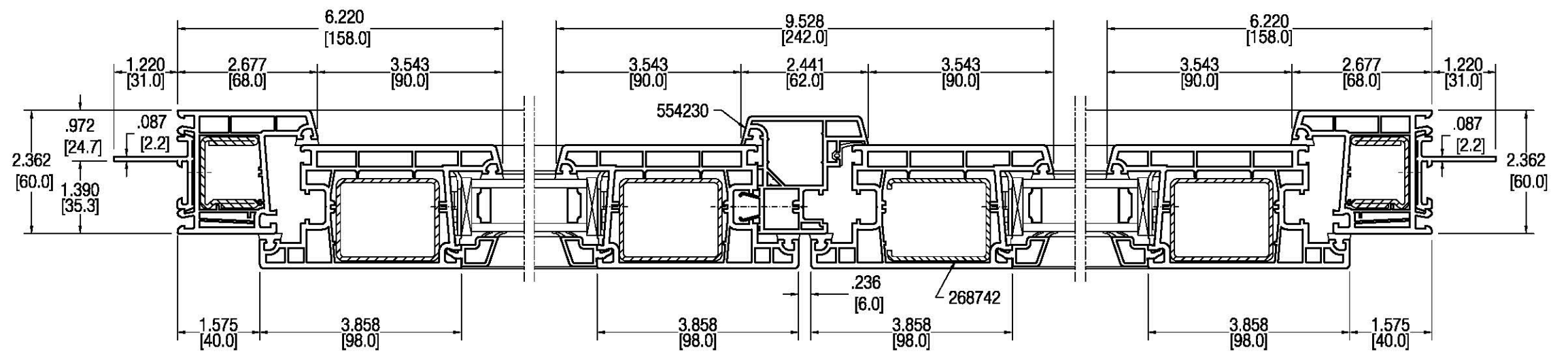
Before using the drawing, the user must determine suitability of the drawing for user's intended use and shall assume all risk and liability in connection therewith. REHAU DISCLAIMS ALL WARRANTIES, EXPRESS OR IMPLIED, INCLUDING BUT NOT LIMITED TO ANY IMPLIED WARRANTIES OF MERCHANTABILITY OR FITNESS FOR A PARTICULAR PURPOSE.



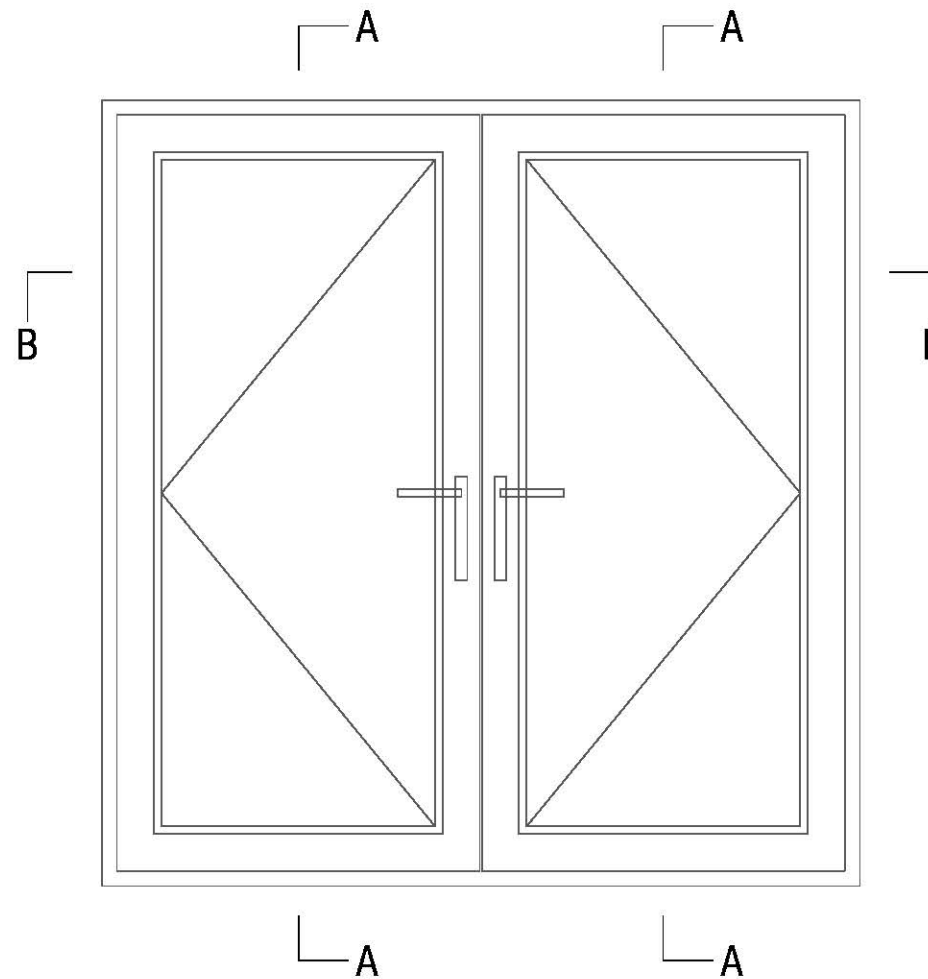
System: 4500 SERIES
 Title: Double In-Swing Door use EU Frame and Sash Z98
 Date: 03/29/2018 Scale: Drawn by: FHS
 Drawing No.: 2002-16-134 SN: Rev.: 1
 © 2018 REHAU. Do not disclose without written permission



Section: A-A



Section: B-B

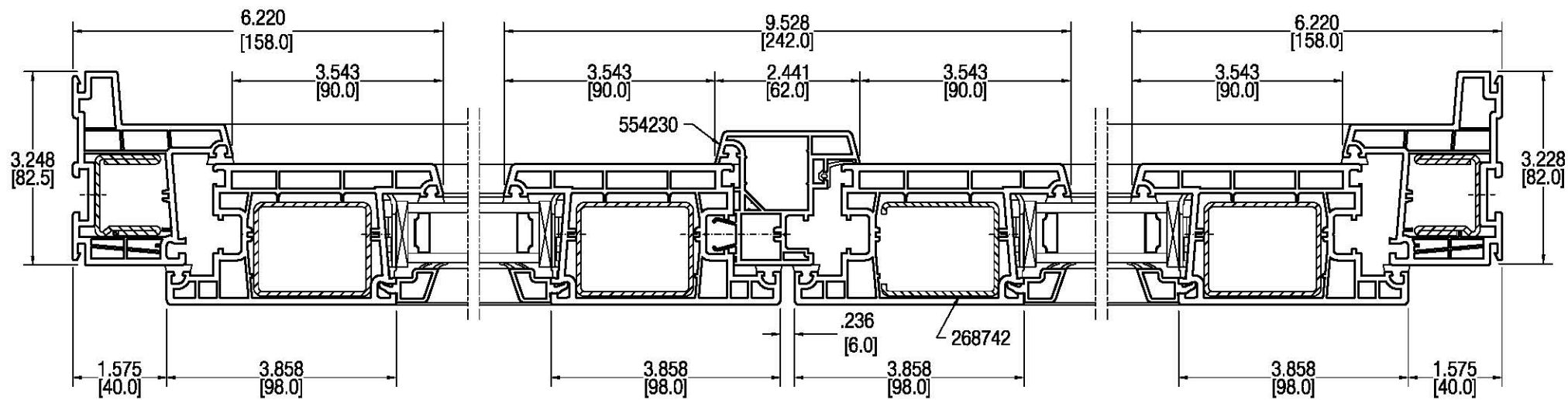


Rev #	Revision Description & Date

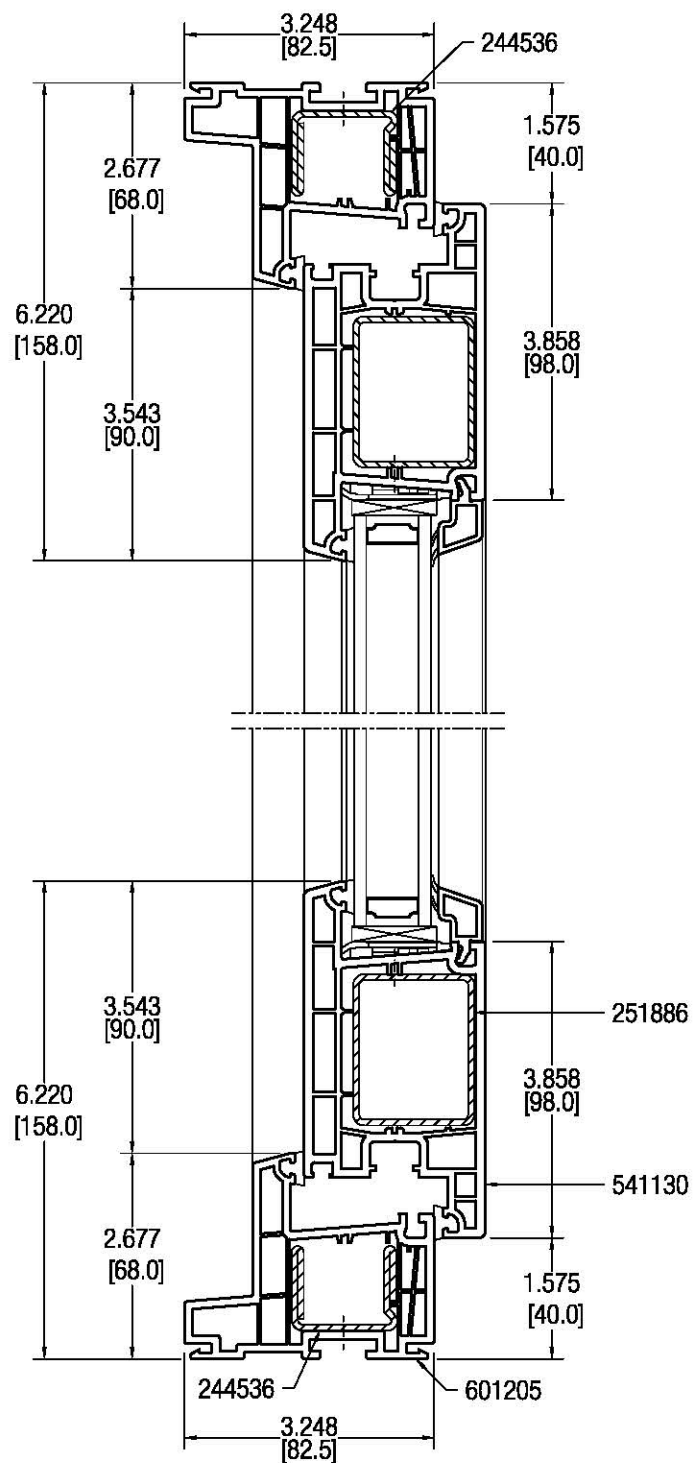
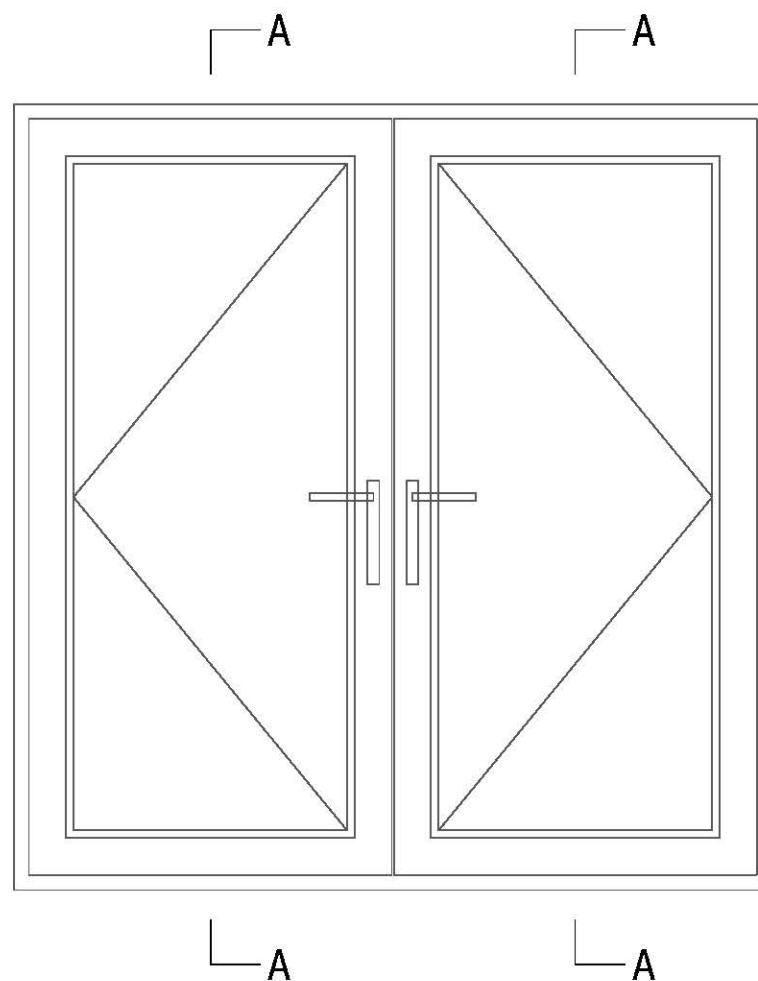
Before using the drawing, the user must determine suitability of the drawing for user's intended use and shall assume all risk and liability in connection therewith. REHAU DISCLAIMS ALL WARRANTIES, EXPRESS OR IMPLIED, INCLUDING BUT NOT LIMITED TO ANY IMPLIED WARRANTIES OF MERCHANTABILITY OR FITNESS FOR A PARTICULAR PURPOSE.



System: 4500 SERIES
 Title: Double In-Swing Door use EU Frame Snap on Nail-Fin and Sash Z98
 Date: 03/29/2019 Scale: Drawn by: FHS
 Drawing No.: 2002-16-135 SN: Rev.: 1
 © 2018 REHAU. Do not disclose without written permission

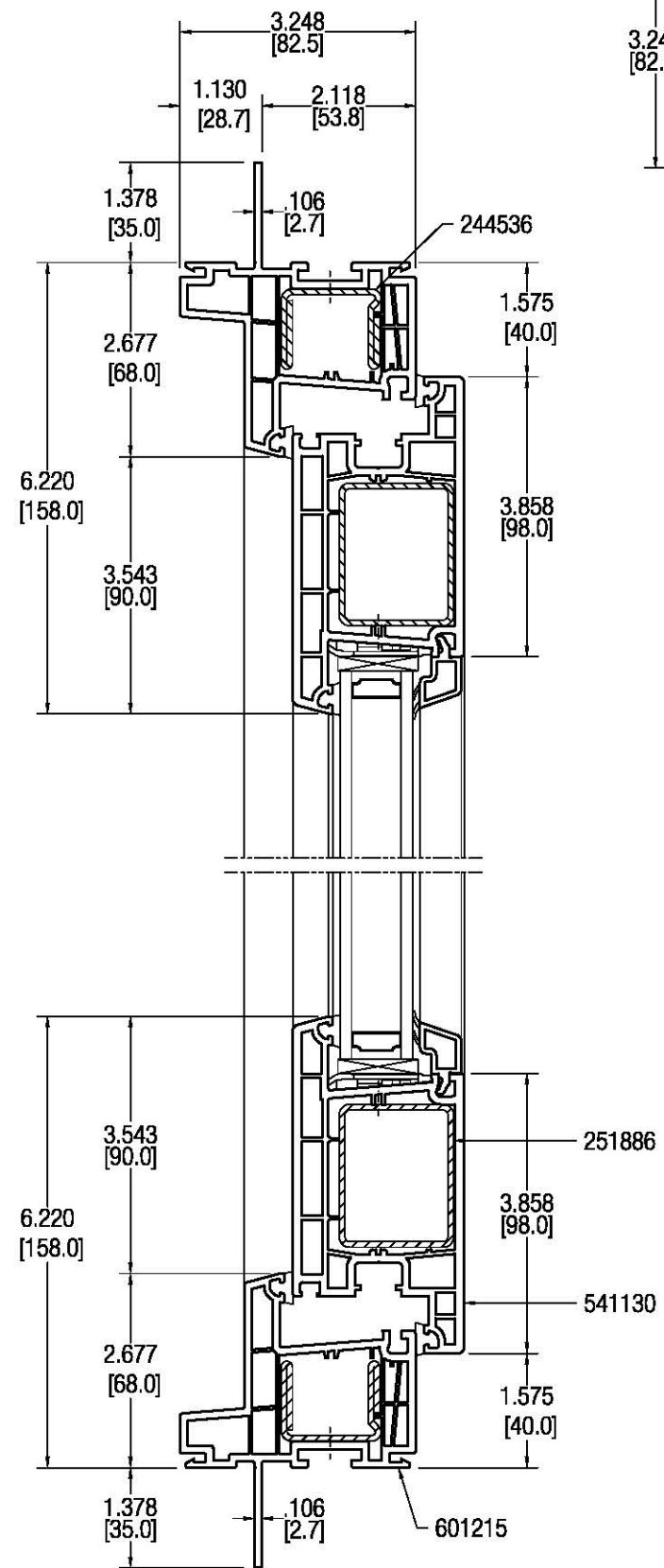


Section: B-B

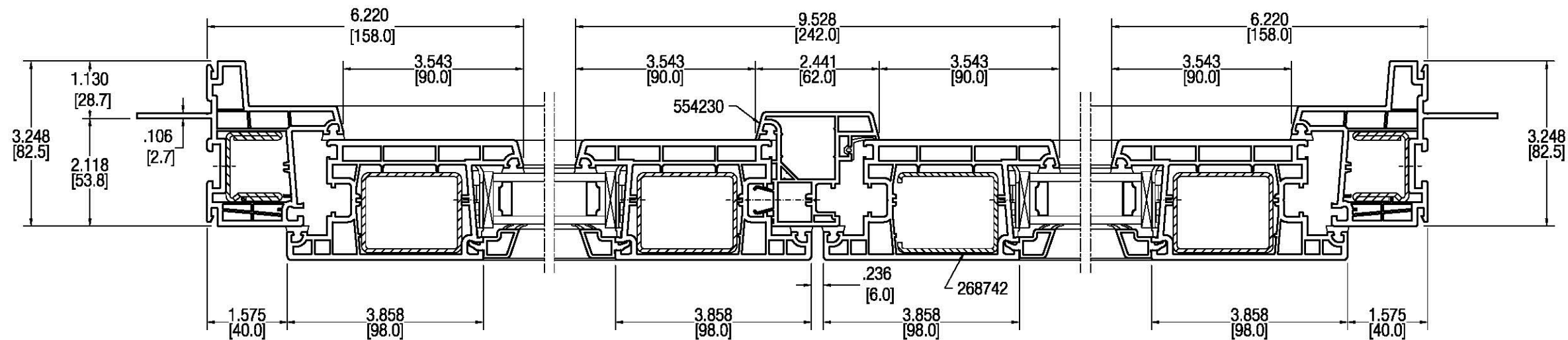


Section: A-A

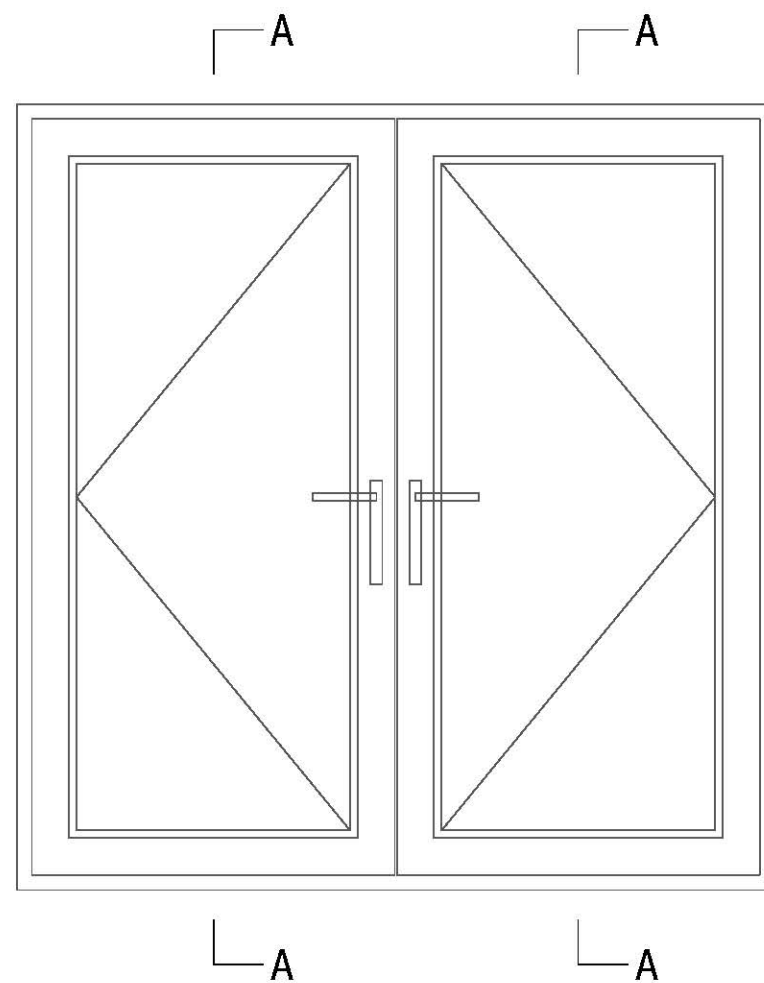
		 CRYSTAL [®] WINDOW & DOOR SYSTEMS, LTD. WWW.CRYSTALWINDOWS.COM	System: 4500 SERIES	
			Title: Double In-Swing Door use NA Frame and Sash Z98	
Rev #	Revision Description & Date	Date: 03/29/2018	Scale:	Drawn by: FHS
Before using the drawing, the user must determine suitability of the drawing for user's intended use and shall assume all risk and liability in connection therewith. REHAU DISCLAIMS ALL WARRANTIES, EXPRESS OR IMPLIED, INCLUDING BUT NOT LIMITED TO ANY IMPLIED WARRANTIES OF MERCHANTABILITY OR FITNESS FOR A PARTICULAR PURPOSE.		Drawing No.: 2002-16-136	SN:	Rev.: 1
		© 2018 REHAU. Do not disclose without written permission		



Section: A-A



Section: B-B

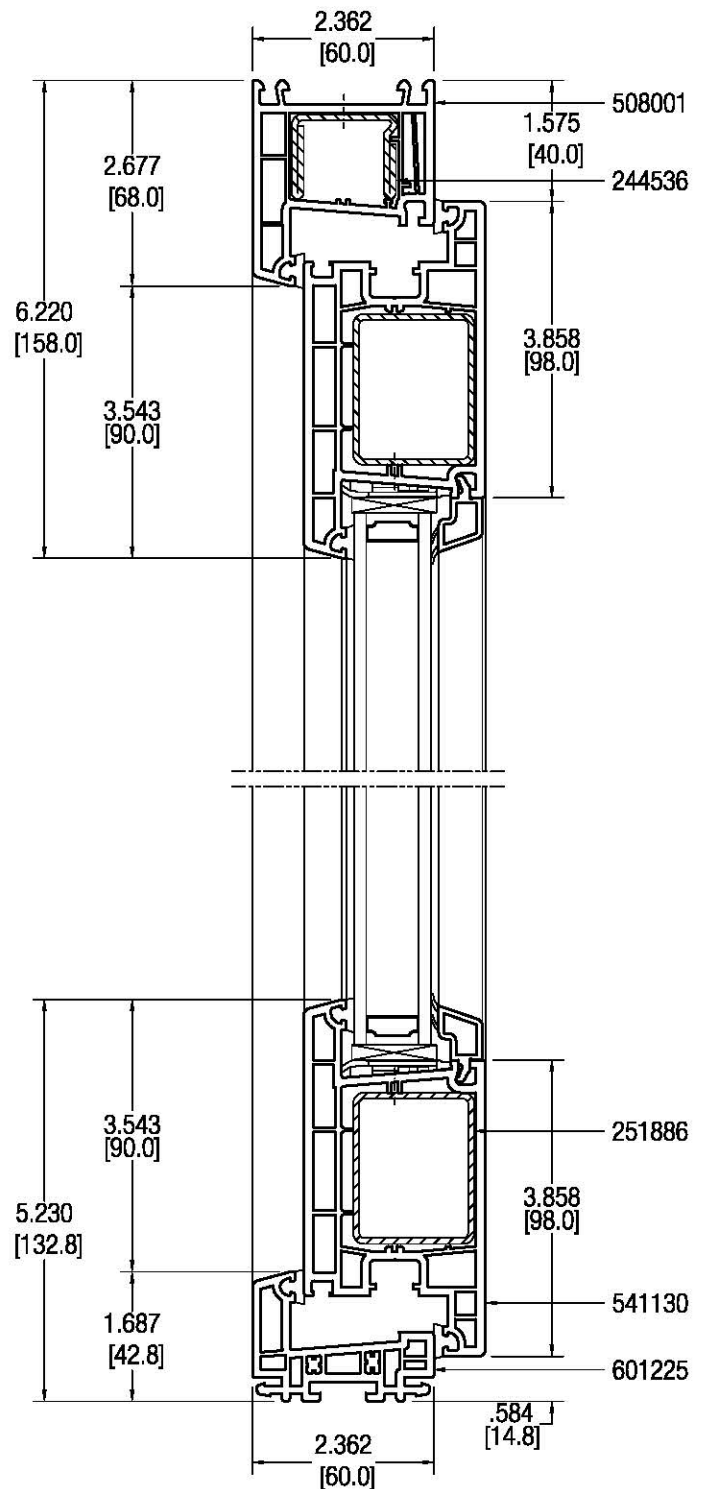


Rev #	Revision Description & Date

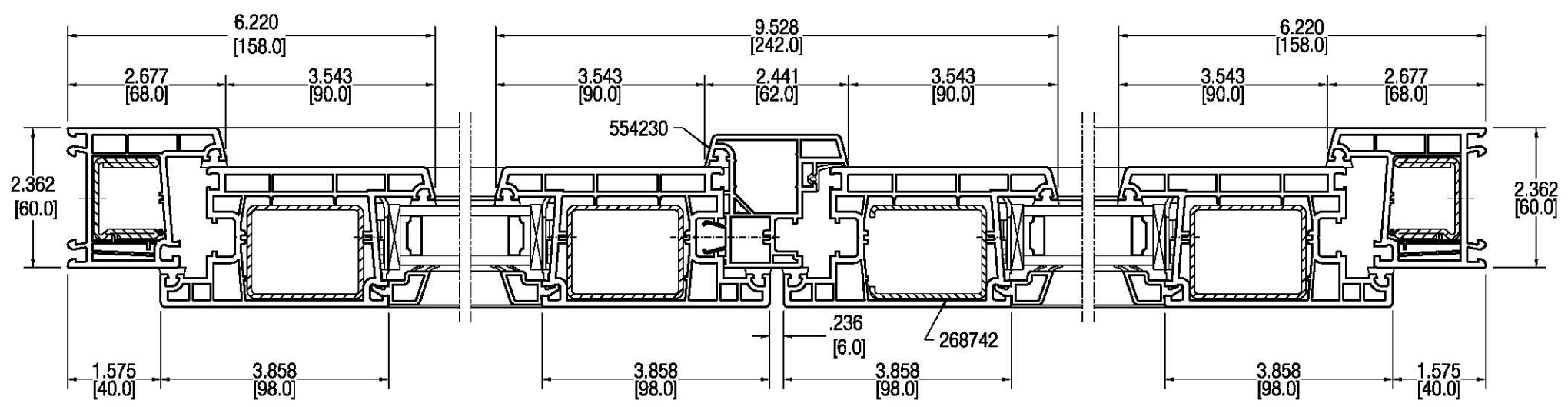
Before using the drawing, the user must determine suitability of the drawing for user's intended use and shall assume all risk and liability in connection therewith. REHAU DISCLAIMS ALL WARRANTIES, EXPRESS OR IMPLIED, INCLUDING BUT NOT LIMITED TO ANY IMPLIED WARRANTIES OF MERCHANTABILITY OR FITNESS FOR A PARTICULAR PURPOSE.



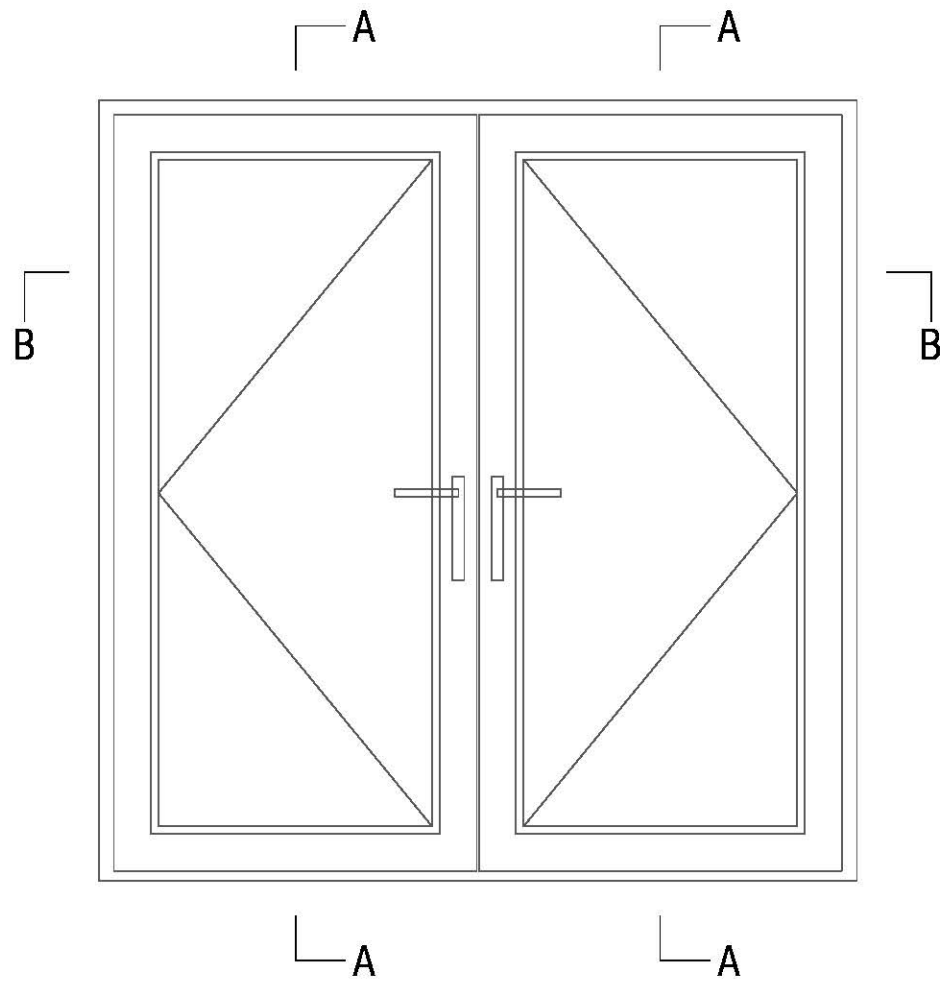
System: 4500 SERIES
 Title: Double In-Swing Door use NA Frame with Fin and Sash Z98
 Date: 03/29/2018 Scale: Drawn by: FHS
 Drawing No.: 2002-16-137 SN: Rev.: 1
 © 2018 REHAU. Do not disclose without written permission



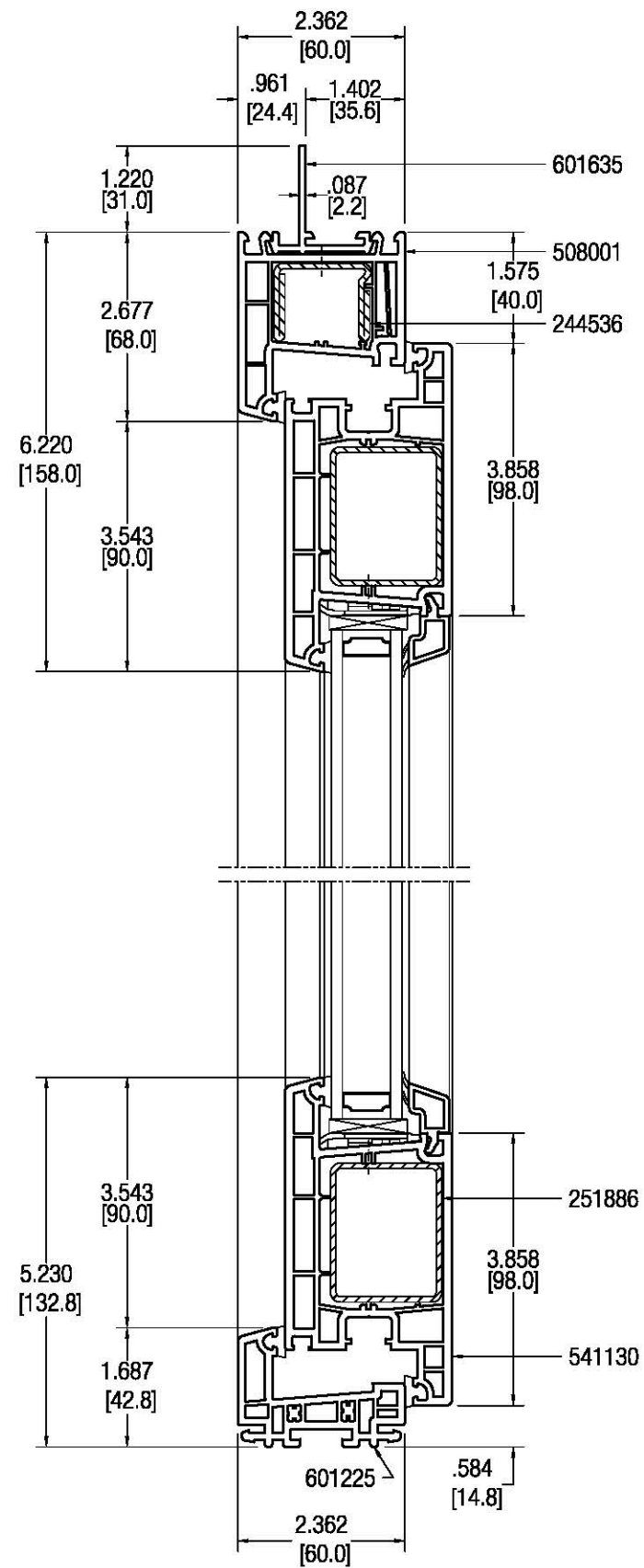
Section: A-A



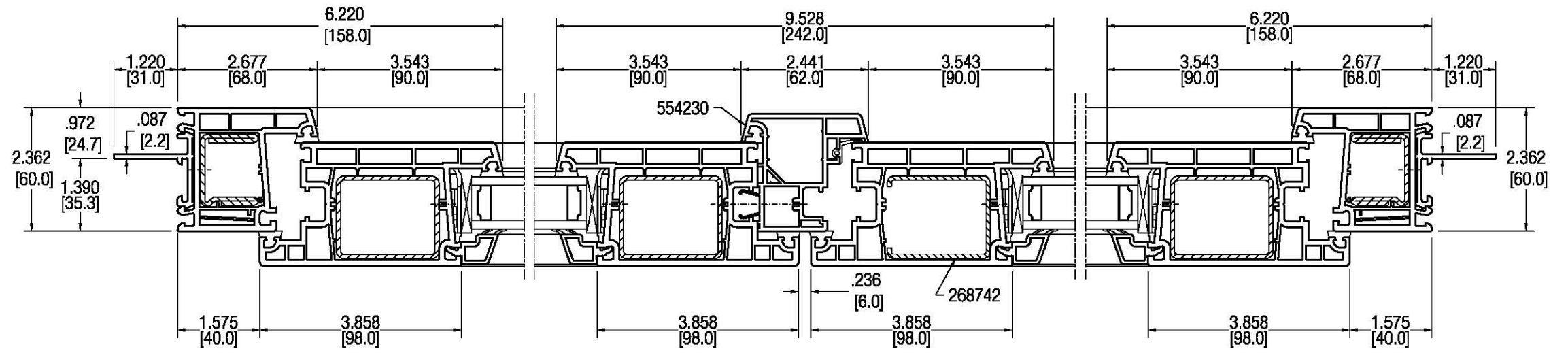
Section: B-B



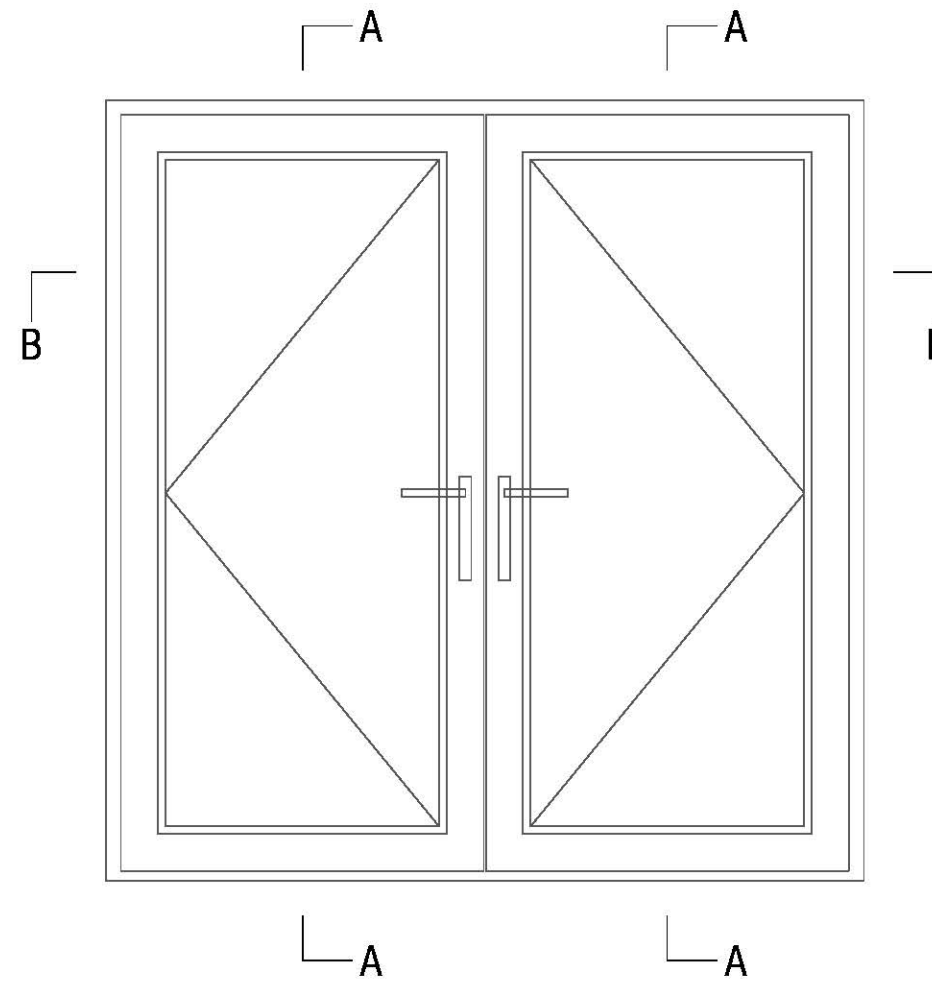
		 WINDOW & DOOR SYSTEMS, LTD. WWW.CRYSTALWINDOWS.COM	System: 4500 SERIES	
			Title: Double In-Swing Door use EU Frame, Sash Z98 and Sub-Sill	
Rev #	Revision Description & Date	Date: 03/29/2018		Scale:
Before using the drawing, the user must determine suitability of the drawing for user's intended use and shall assume all risk and liability in connection therewith. REHAU DISCLAIMS ALL WARRANTIES, EXPRESS OR IMPLIED, INCLUDING BUT NOT LIMITED TO ANY IMPLIED WARRANTIES OF MERCHANTABILITY OR FITNESS FOR A PARTICULAR PURPOSE.		Drawing No.: 2002-16-138		Drawn by: FHS
		© 2018 REHAU. Do not disclose without written permission		SN: Rev.: 1



Section: A-A



Section: B-B

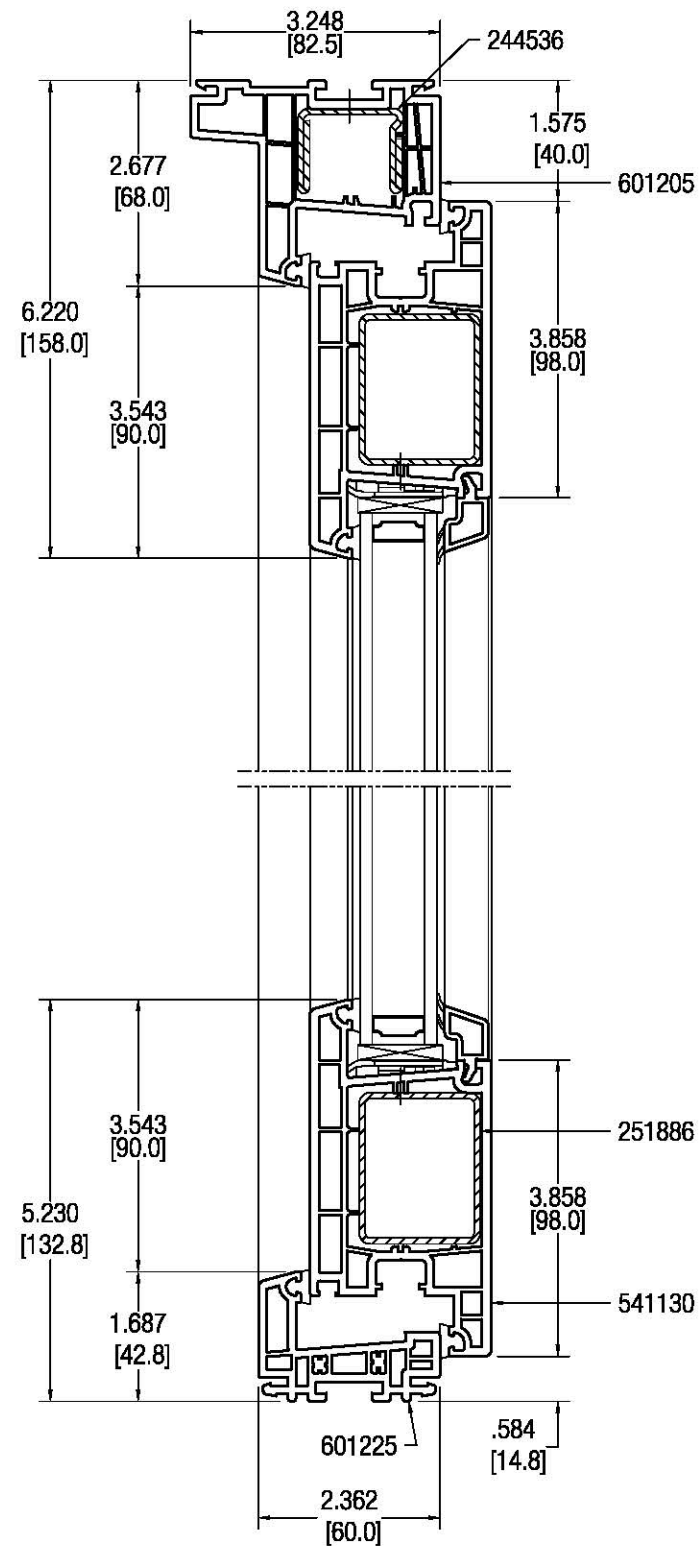


Rev #	Revision Description & Date

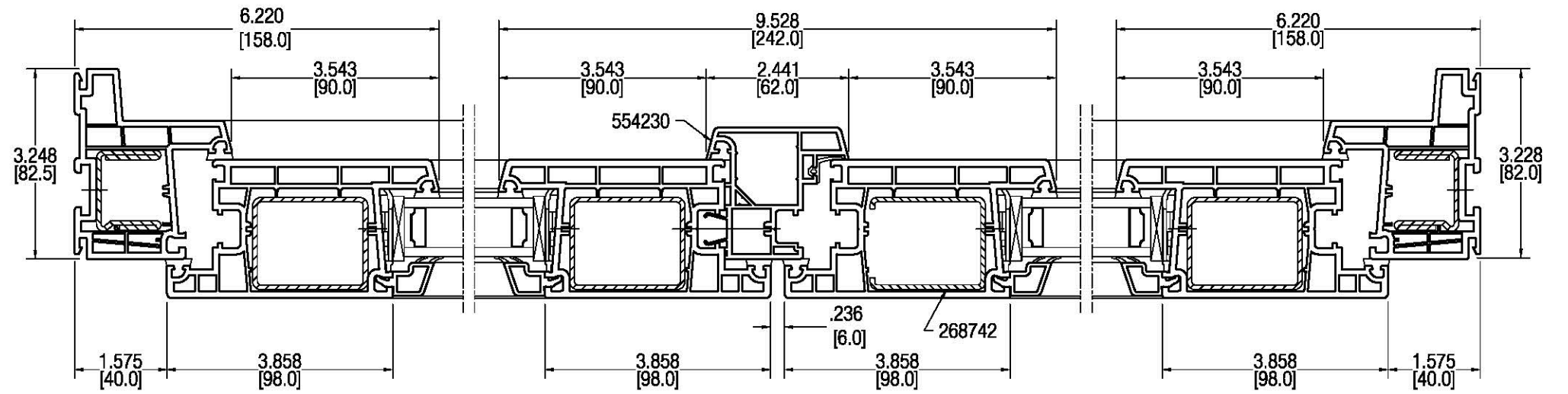
Before using the drawing, the user must determine suitability of the drawing for user's intended use and shall assume all risk and liability in connection therewith. REHAU DISCLAIMS ALL WARRANTIES, EXPRESS OR IMPLIED, INCLUDING BUT NOT LIMITED TO ANY IMPLIED WARRANTIES OF MERCHANTABILITY OR FITNESS FOR A PARTICULAR PURPOSE.



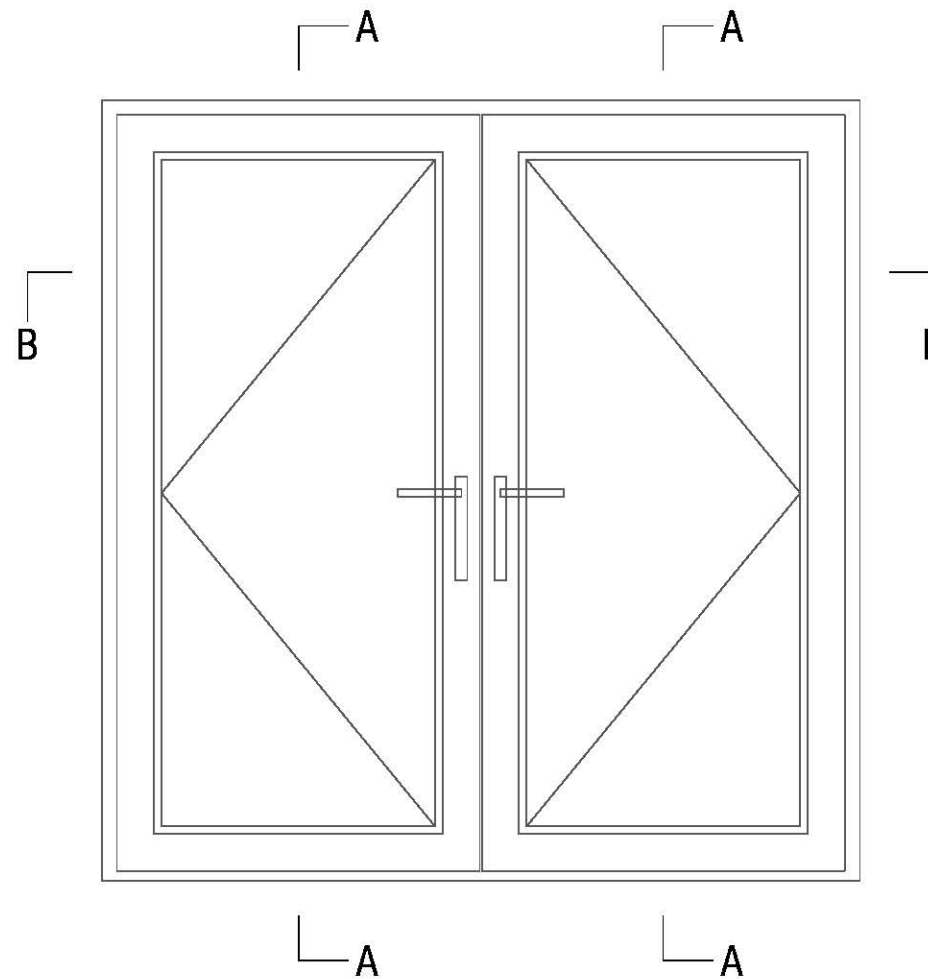
System: 4500 SERIES
 Title: Double In-Swing Door use EU Frame Snap on Nail-Fin, Sash Z98 and Sub-Sill
 Date: 03/29/2018 Scale: Drawn by: FHS
 Drawing No.: 2002-16-139 SN: Rev.: 1
 © 2018 REHAU. Do not disclose without written permission



Section: A-A



Section: B-B

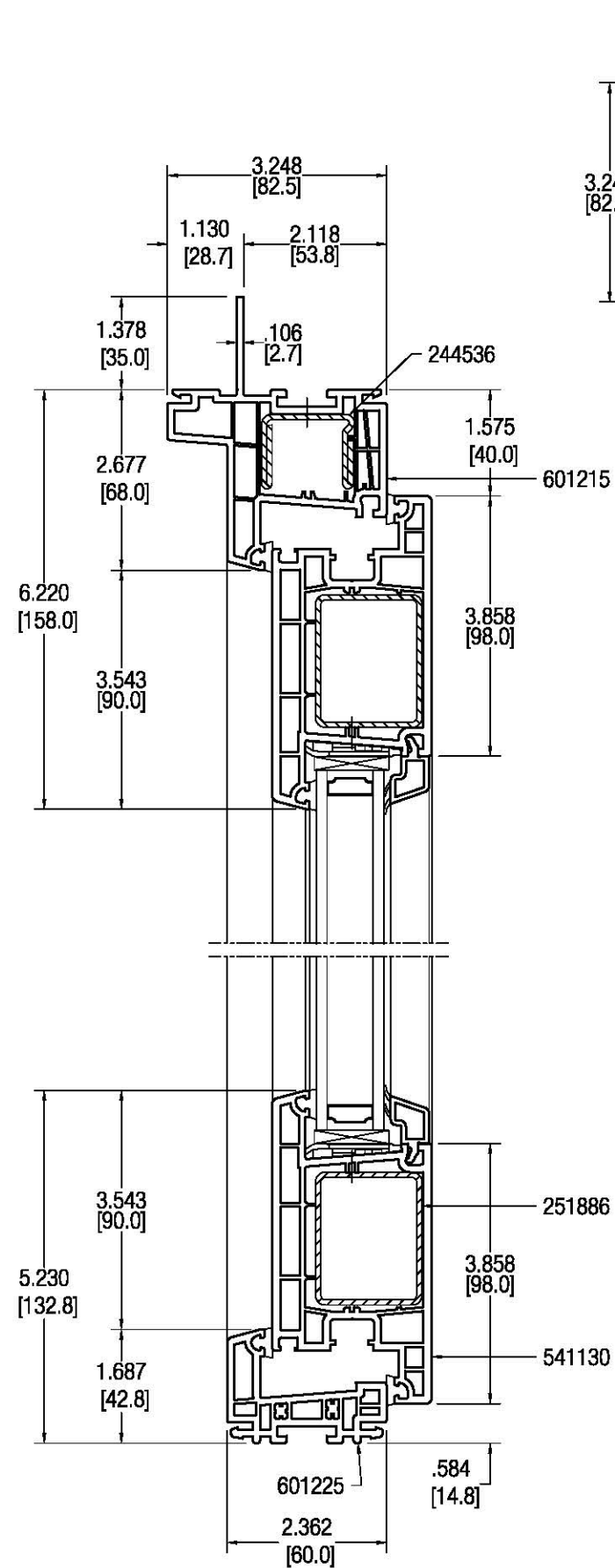


Rev #	Revision Description & Date

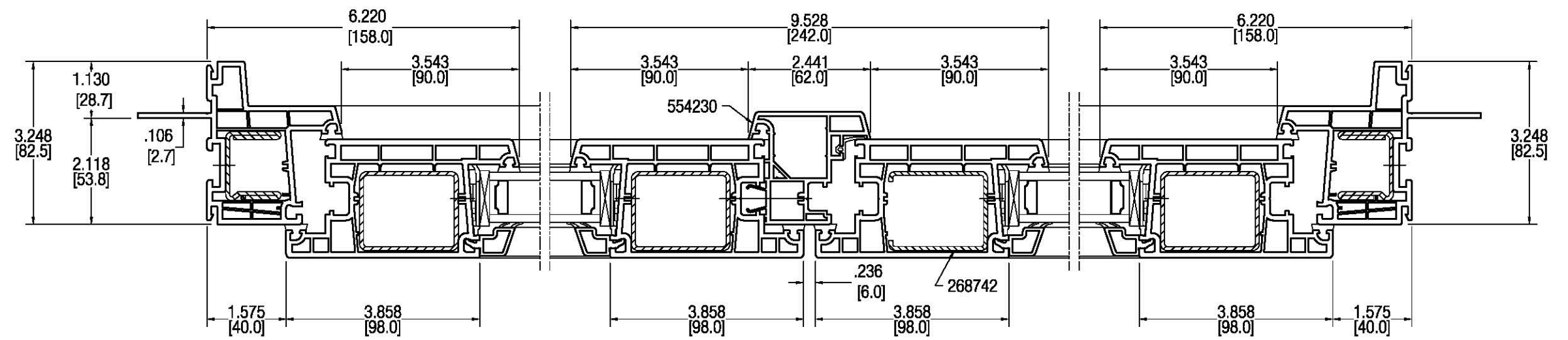
Before using the drawing, the user must determine suitability of the drawing for user's intended use and shall assume all risk and liability in connection therewith. REHAU DISCLAIMS ALL WARRANTIES, EXPRESS OR IMPLIED, INCLUDING BUT NOT LIMITED TO ANY IMPLIED WARRANTIES OF MERCHANTABILITY OR FITNESS FOR A PARTICULAR PURPOSE.



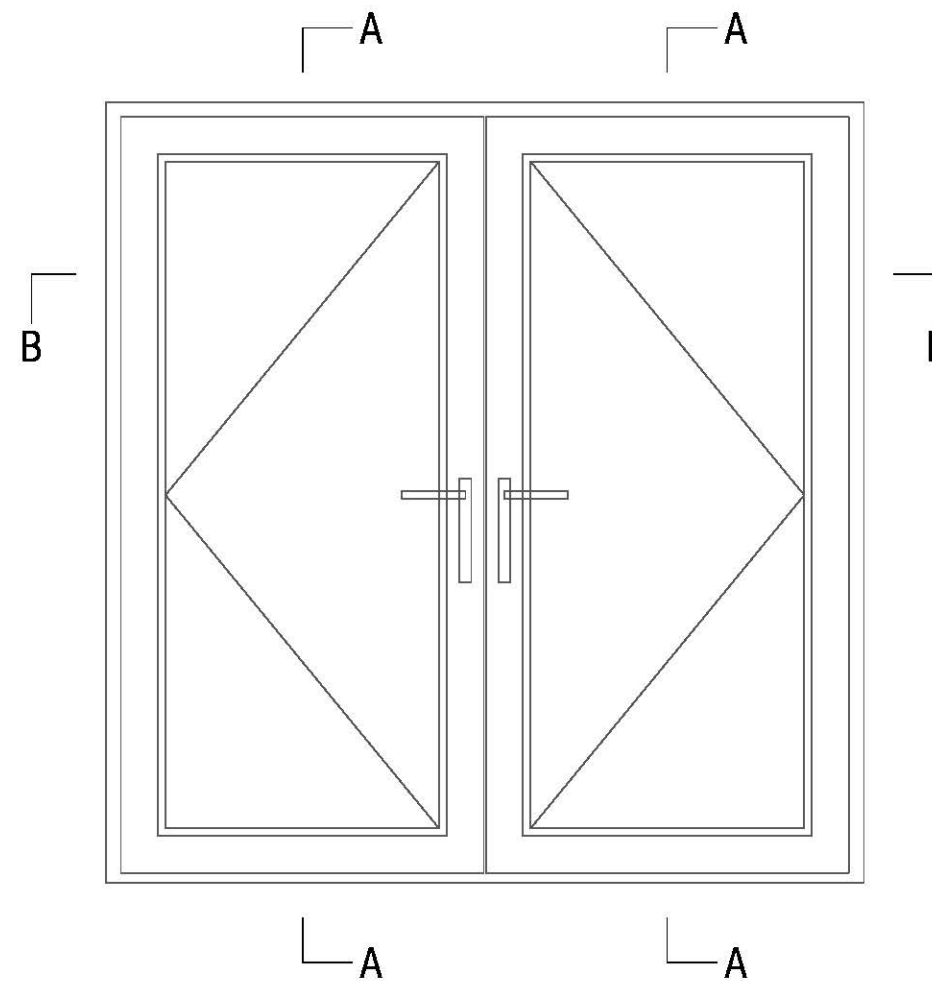
System: 4500 SERIES
 Title: Double In-Swing Door use NA Frame, Sash Z98 and Sub-Sill
 Date: 03/29/2018 Scale: Drawn by: FHS
 Drawing No.: 2002-16-140 SN: Rev.: 1
 © 2018 REHAU. Do not disclose without written permission



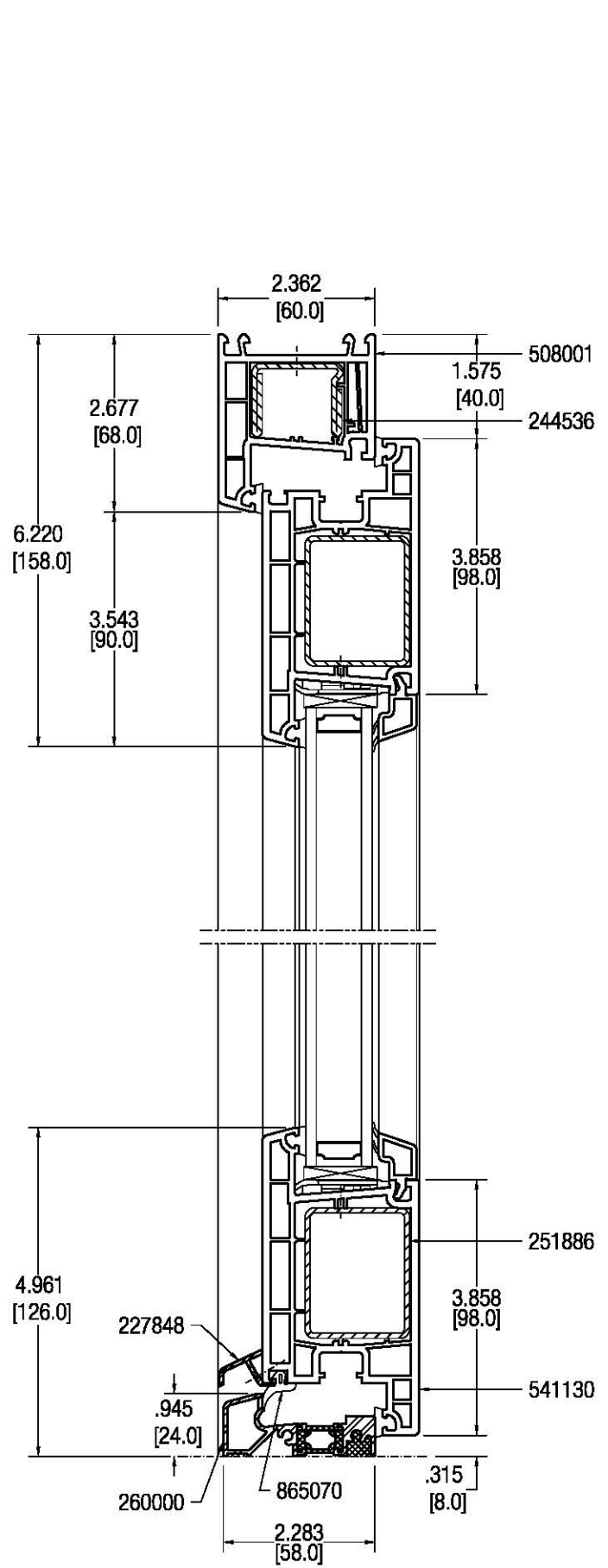
Section: A-A



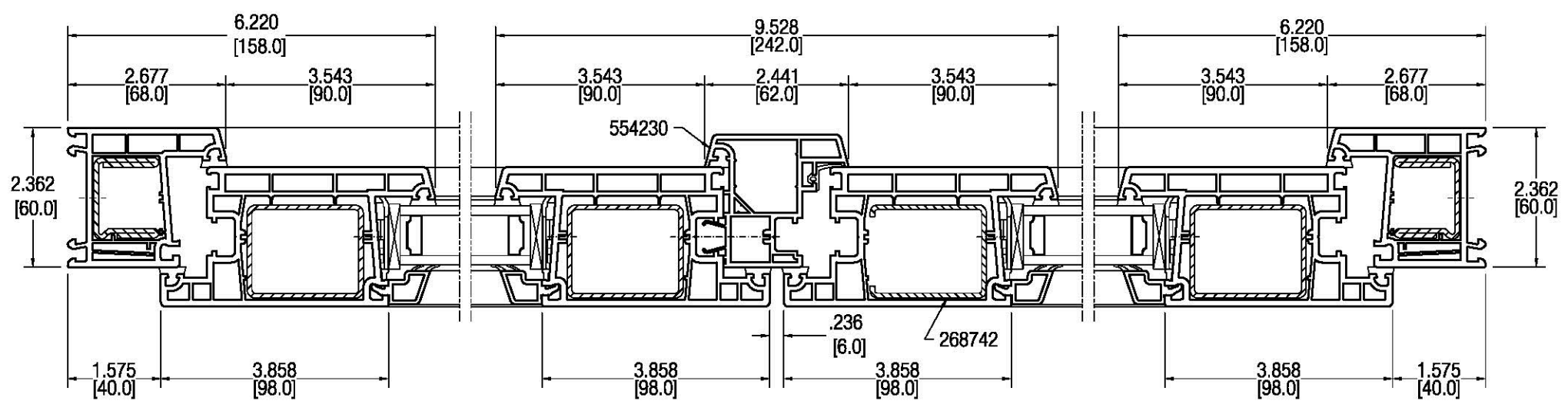
Section: B-B



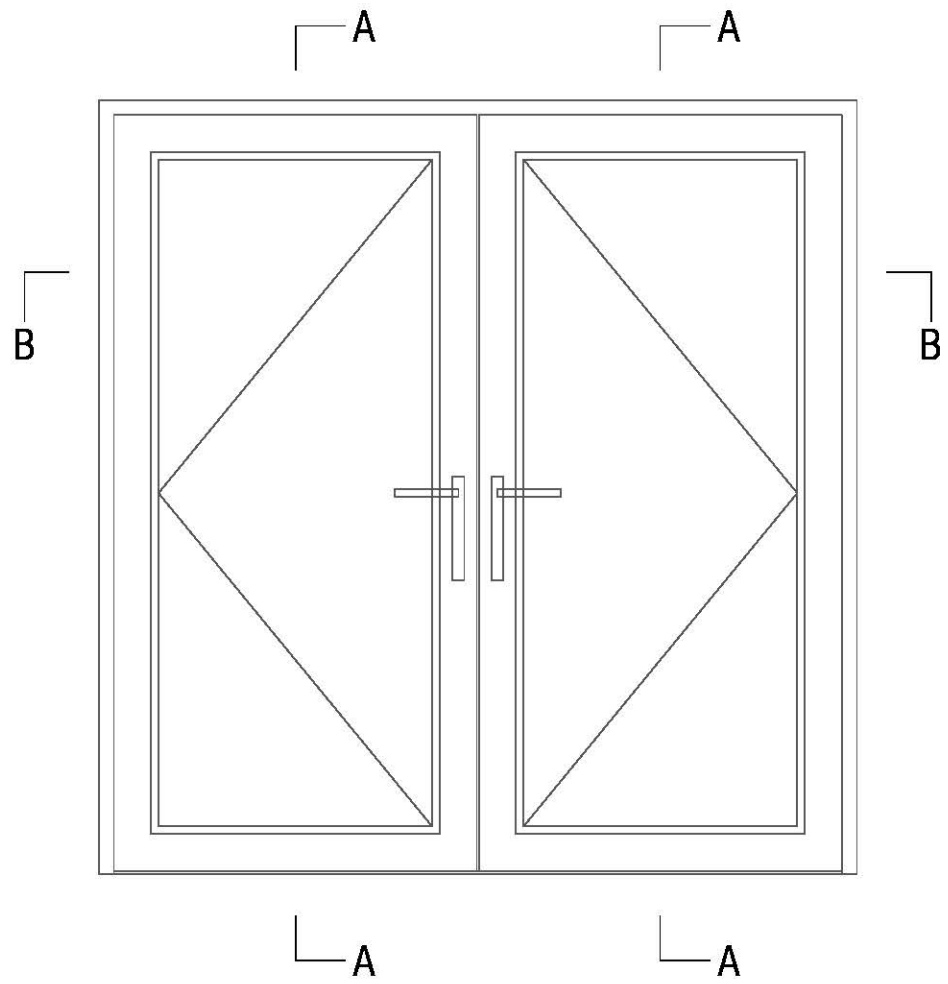
		 WWW.CRYSTALWINDOWS.COM	System: 4500 SERIES	
			Title: Double In-Swing Door use NA Frame with Fin, Sash Z98 and Sub-Sill	
Rev #	Revision Description & Date	Date: 03/29/2018		Scale:
Before using the drawing, the user must determine suitability of the drawing for user's intended use and shall assume all risk and liability in connection therewith. REHAU DISCLAIMS ALL WARRANTIES, EXPRESS OR IMPLIED, INCLUDING BUT NOT LIMITED TO ANY IMPLIED WARRANTIES OF MERCHANTABILITY OR FITNESS FOR A PARTICULAR PURPOSE.		Drawing No.: 2002-16-141		Drawn by: FHS
		© 2018 REHAU. Do not disclose without written permission		SN: Rev.: 1



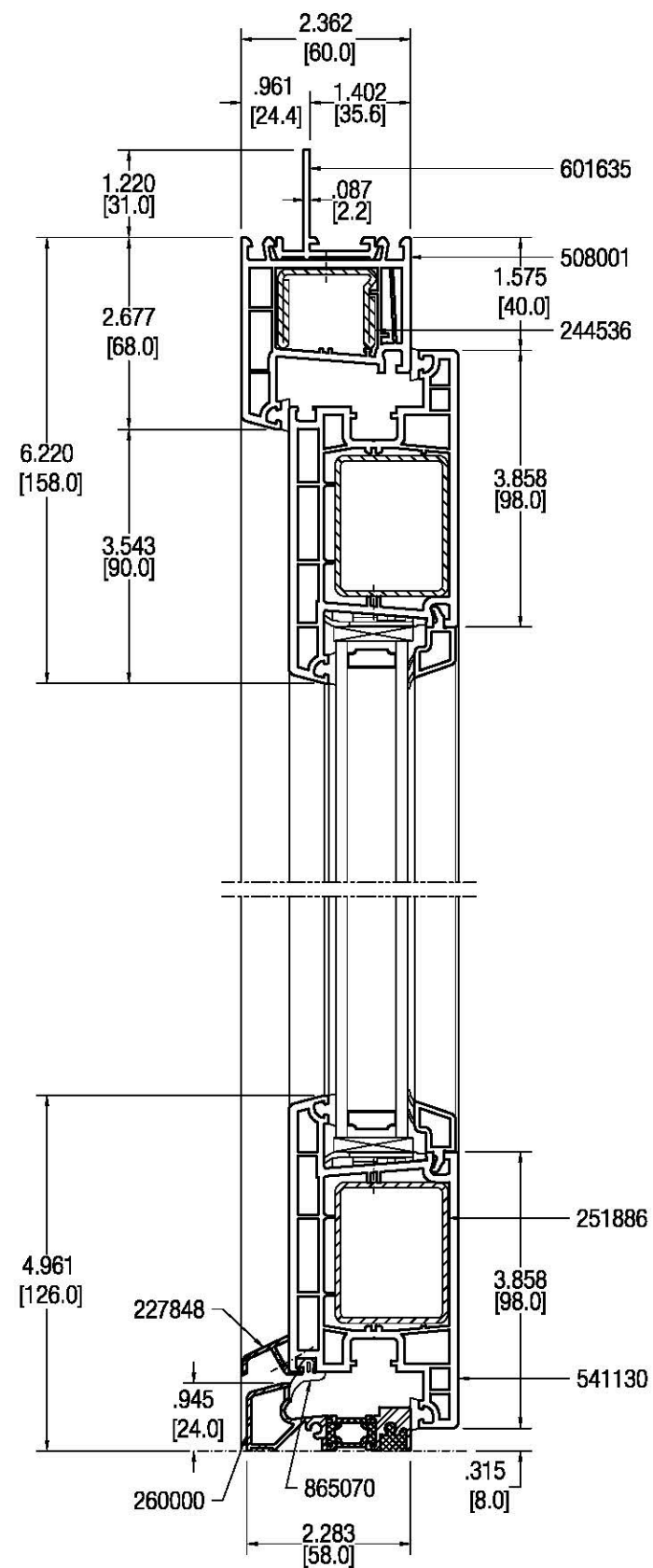
Section: A-A



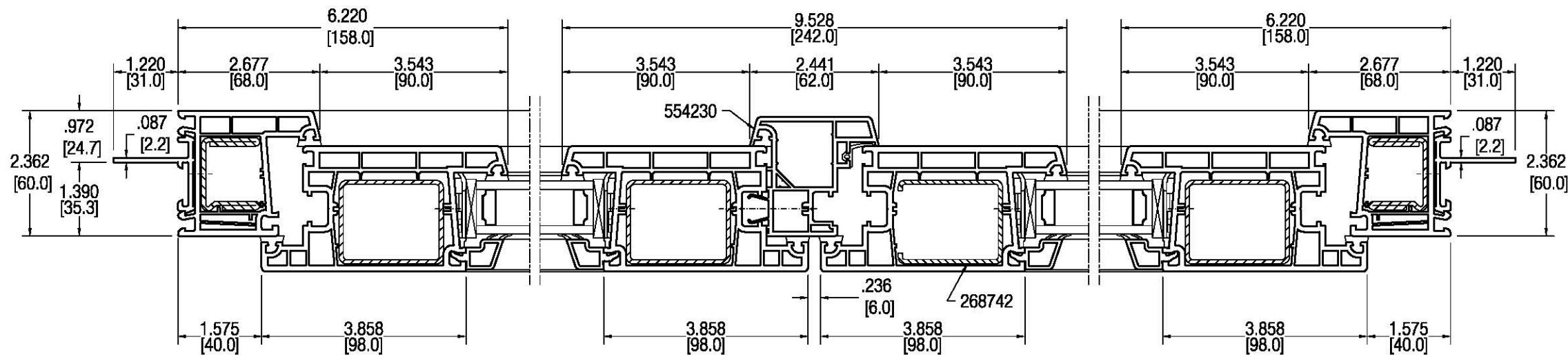
Section: B-B



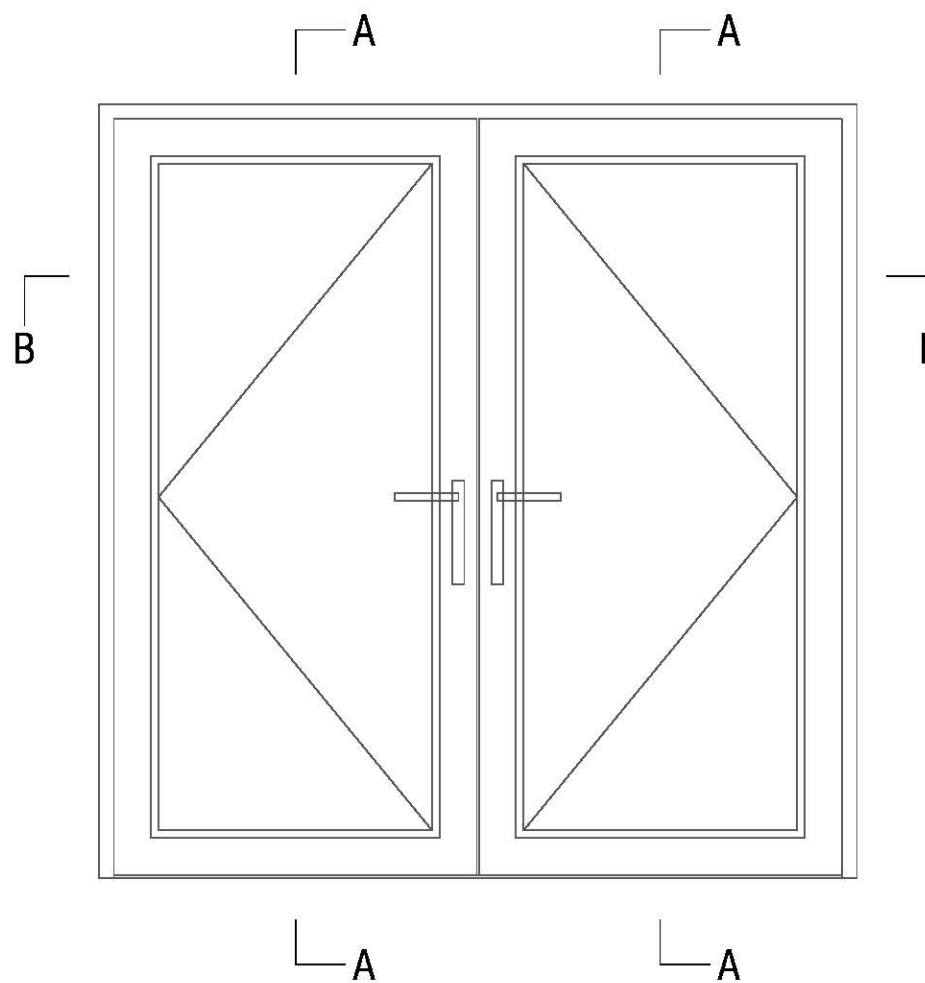
		 WINDOW & DOOR SYSTEMS, LTD. WWW.CRYSTALWINDOWS.COM	System: 4500 SERIES	
			Title: Double In-Swing Door use EU Frame, Sash Z98 and Alu-Threshold	
Rev #	Revision Description & Date	Date: 03/29/2018	Scale:	Drawn by: FHS
Before using the drawing, the user must determine suitability of the drawing for user's intended use and shall assume all risk and liability in connection therewith. REHAU DISCLAIMS ALL WARRANTIES, EXPRESS OR IMPLIED, INCLUDING BUT NOT LIMITED TO ANY IMPLIED WARRANTIES OF MERCHANTABILITY OR FITNESS FOR A PARTICULAR PURPOSE.		Drawing No.: 2002-16-142	SN:	Rev.: 1
		© 2018 REHAU. Do not disclose without written permission		



Section: A-A



Section: B-B

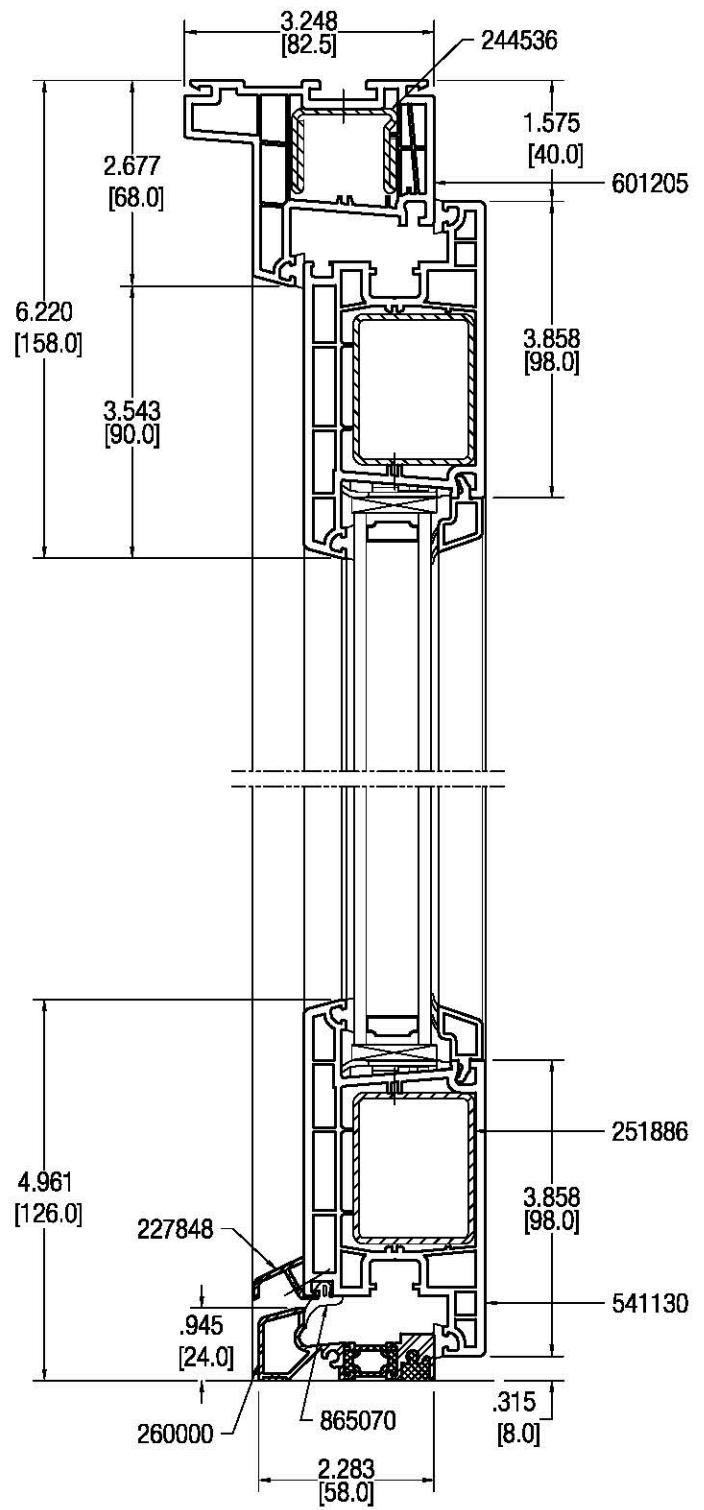


Rev #	Revision Description & Date

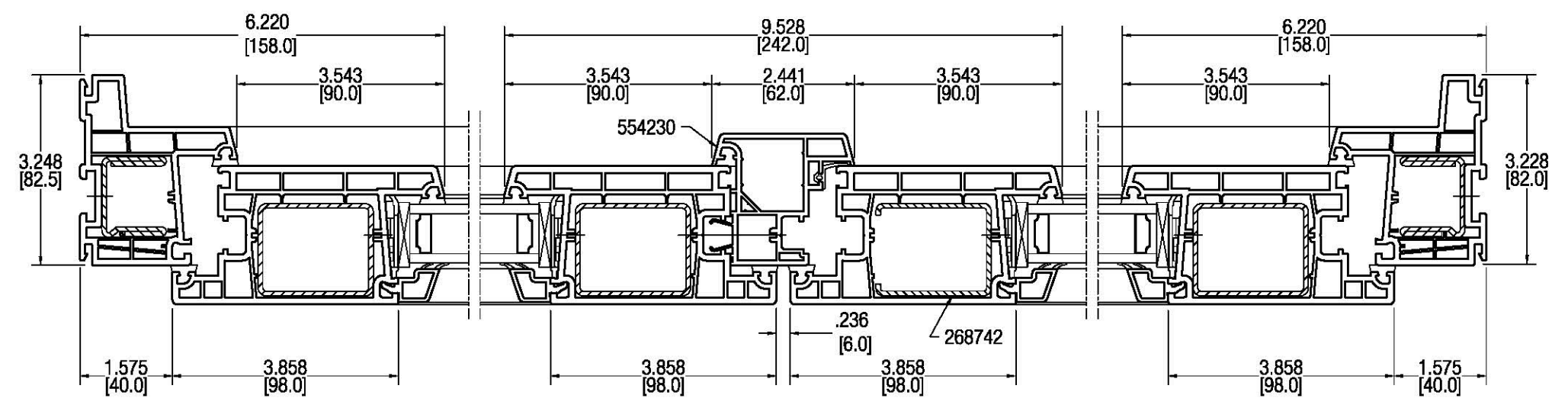
Before using the drawing, the user must determine suitability of the drawing for user's intended use and shall assume all risk and liability in connection therewith. REHAU DISCLAIMS ALL WARRANTIES, EXPRESS OR IMPLIED, INCLUDING BUT NOT LIMITED TO ANY IMPLIED WARRANTIES OF MERCHANTABILITY OR FITNESS FOR A PARTICULAR PURPOSE.



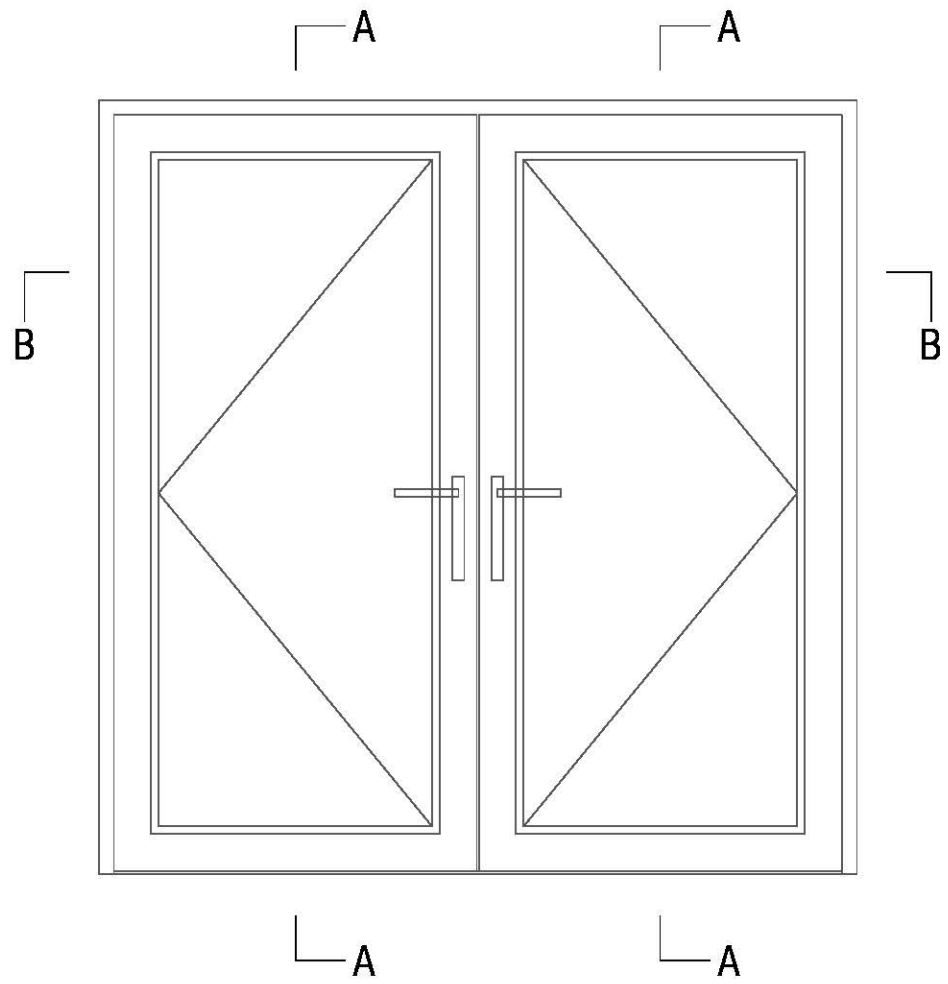
System: 4500 SERIES
 Title: Double In-Swing Door use EU Frame Snap on Nail-Fin, Sash Z98 and Alu-Threshold
 Date: 03/29/2018 Scale: Drawn by: FHS
 Drawing No.: 2002-16-143 SN: Rev.: 1
 © 2018 REHAU. Do not disclose without written permission



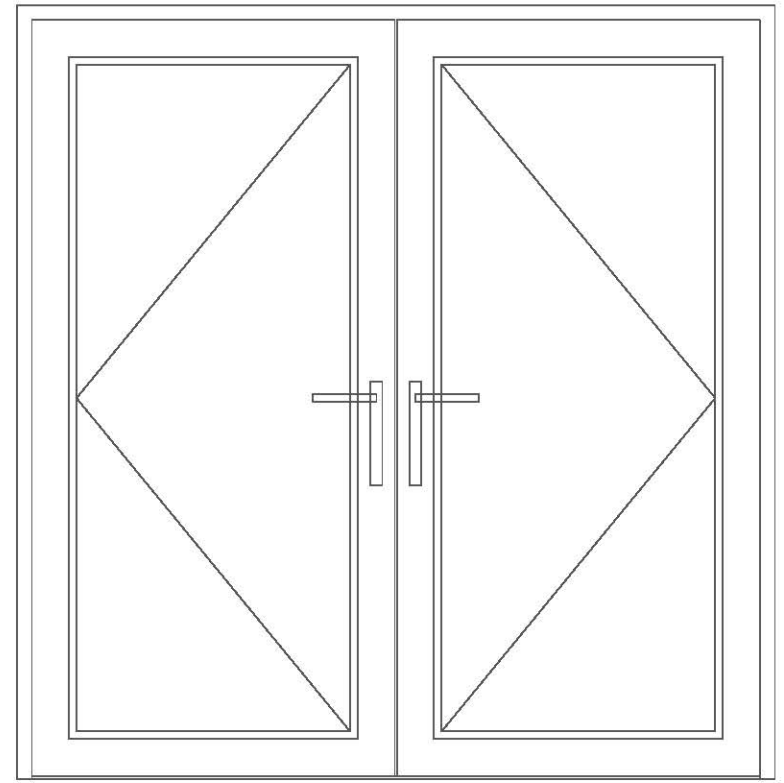
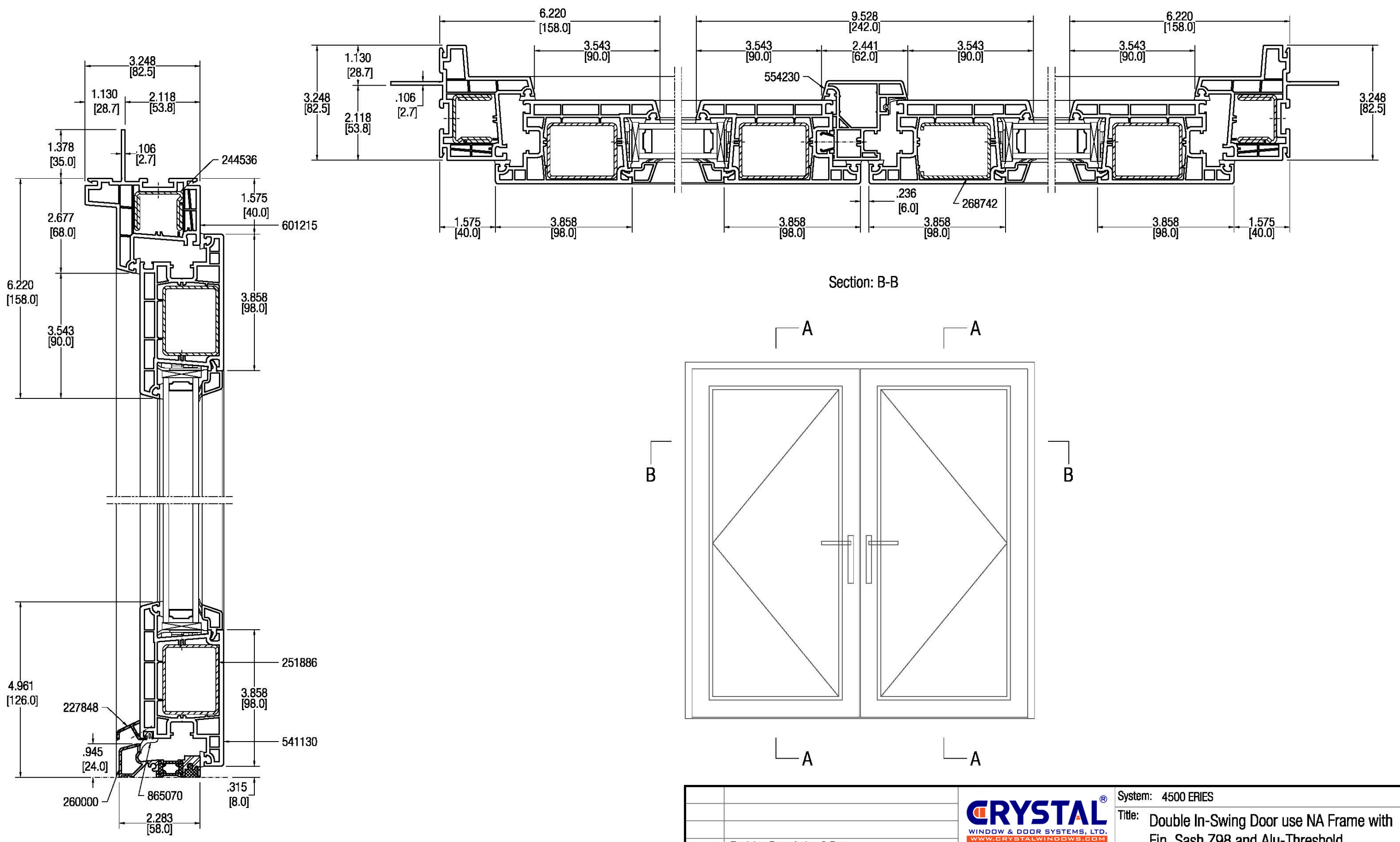
Section: A-A



Section: B-B



		 CRYSTAL [®] WINDOW & DOOR SYSTEMS, LTD. WWW.CRYSTALWINDOWS.COM	System: 4500 SERIES	
			Title: Double In-Swing Door use NA Frame, Sash Z98 and Alu-Threshold	
Rev #	Revision Description & Date	Date: 03/29/2018		Scale:
Before using the drawing, the user must determine suitability of the drawing for user's intended use and shall assume all risk and liability in connection therewith. REHAU DISCLAIMS ALL WARRANTIES, EXPRESS OR IMPLIED, INCLUDING BUT NOT LIMITED TO ANY IMPLIED WARRANTIES OF MERCHANTABILITY OR FITNESS FOR A PARTICULAR PURPOSE.		Drawing No.: 2002-16-144		Drawn by: FHS
		© 2018 REHAU. Do not disclose without written permission		SN: Rev.: 1



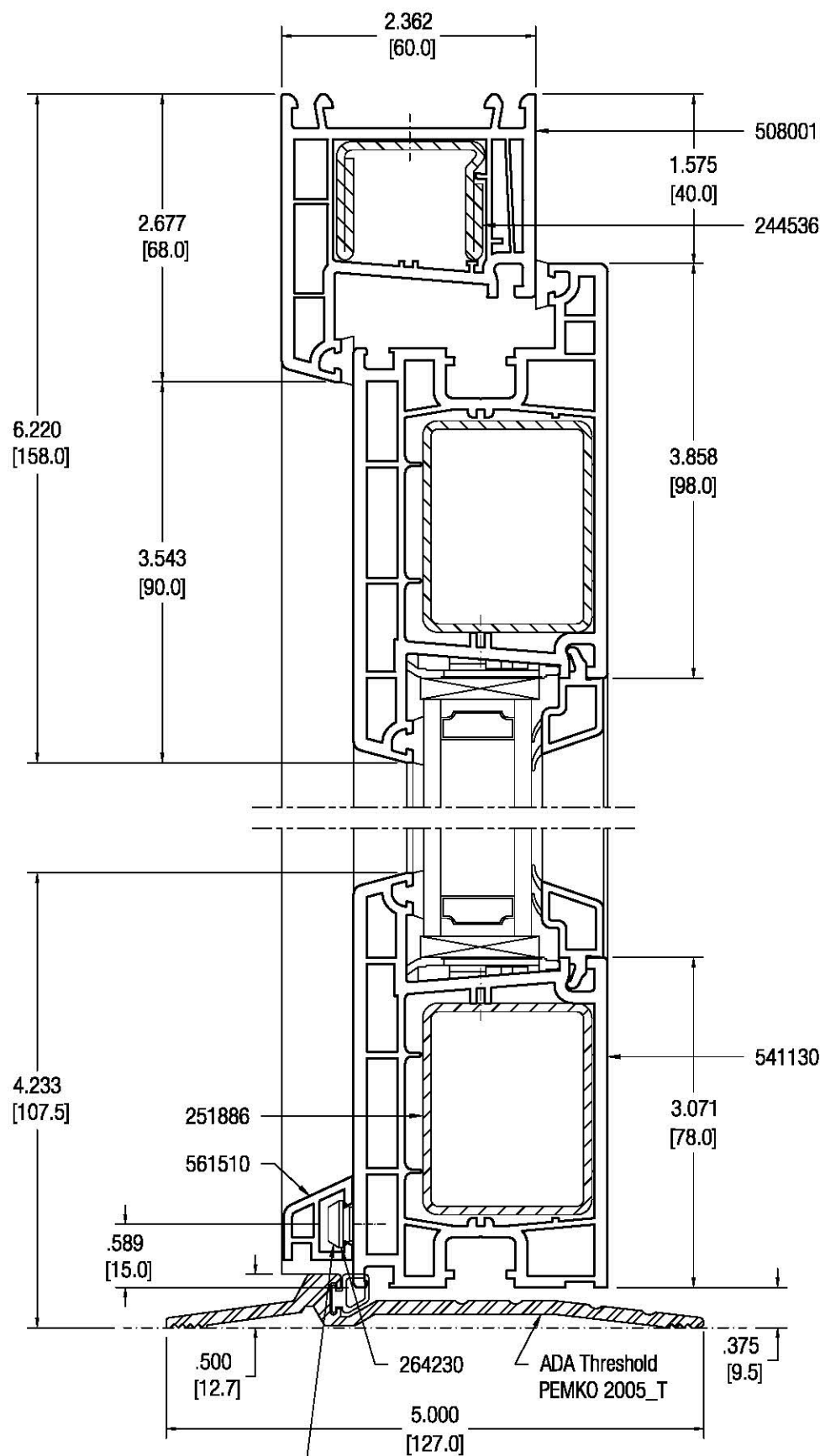
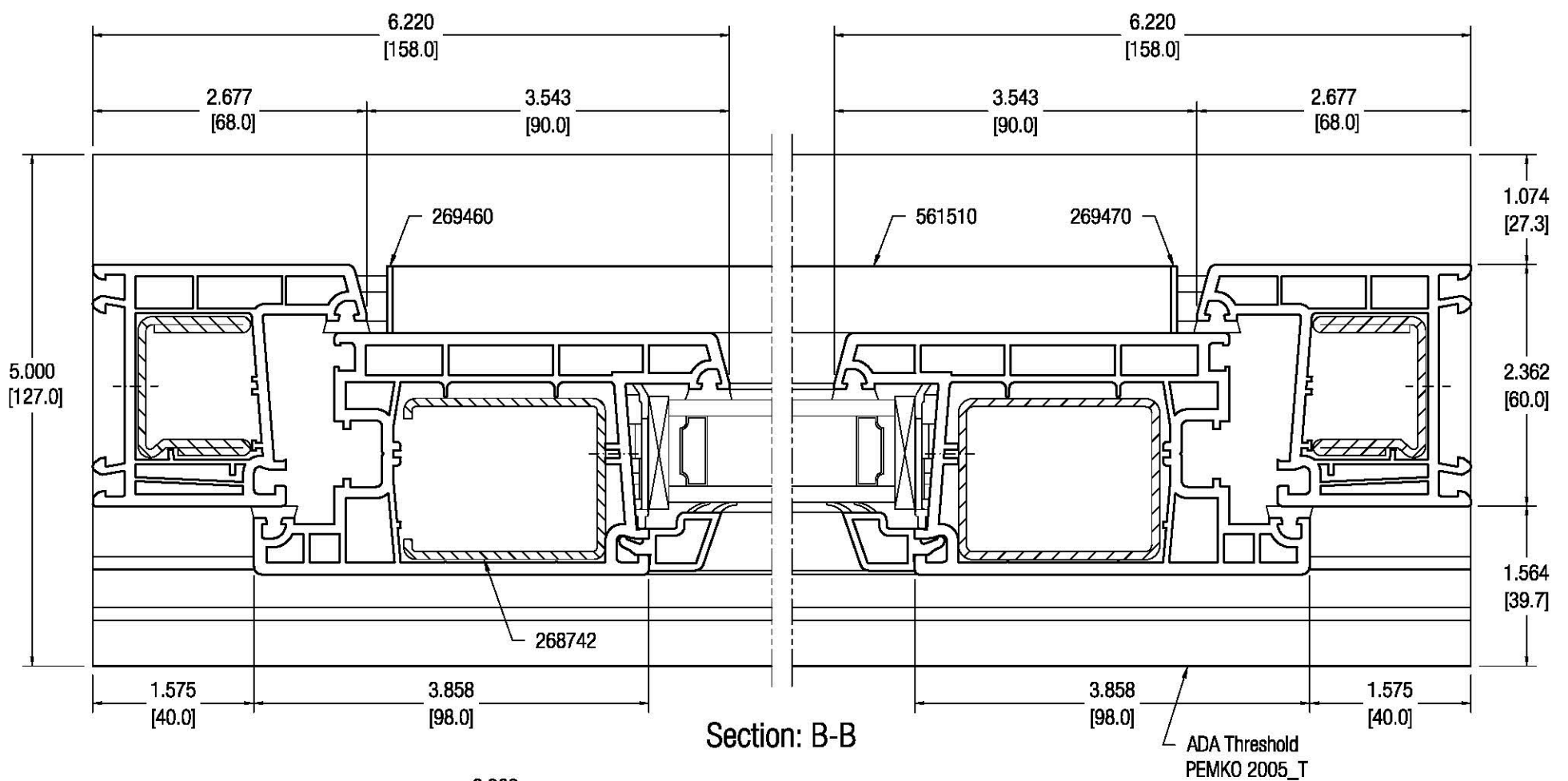
Rev #	Revision Description & Date

Before using the drawing, the user must determine suitability of the drawing for user's intended use and shall assume all risk and liability in connection therewith. REHAU DISCLAIMS ALL WARRANTIES, EXPRESS OR IMPLIED, INCLUDING BUT NOT LIMITED TO ANY IMPLIED WARRANTIES OF MERCHANTABILITY OR FITNESS FOR A PARTICULAR PURPOSE.

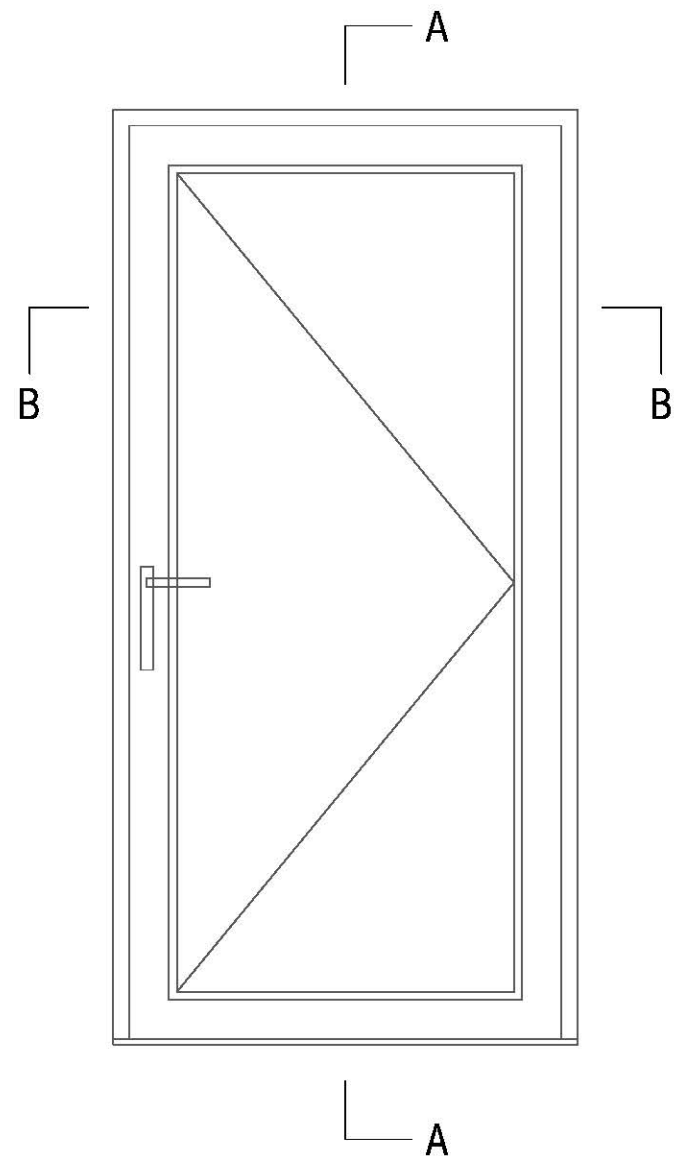
CRYSTAL
WINDOW & DOOR SYSTEMS, LTD.
WWW.CRYSTALWINDOWS.COM

System: 4500 ERIES
Title: Double In-Swing Door use NA Frame with Fin, Sash Z98 and Alu-Threshold

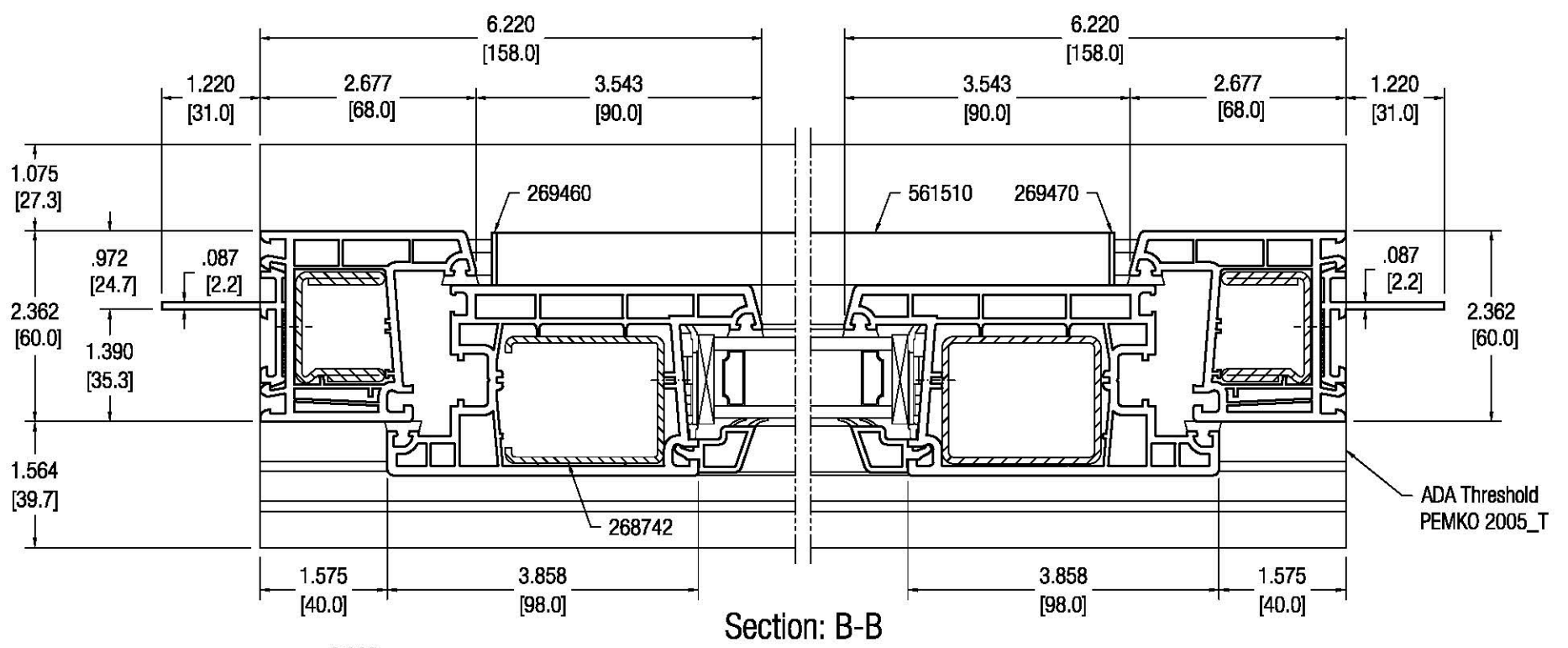
Date: 03/29/2018 Scale: Drawn by: FHS
Drawing No.: 2002-16-145 SN: Rev.: 1
© 2018 REHAU. Do not disclose without written permission



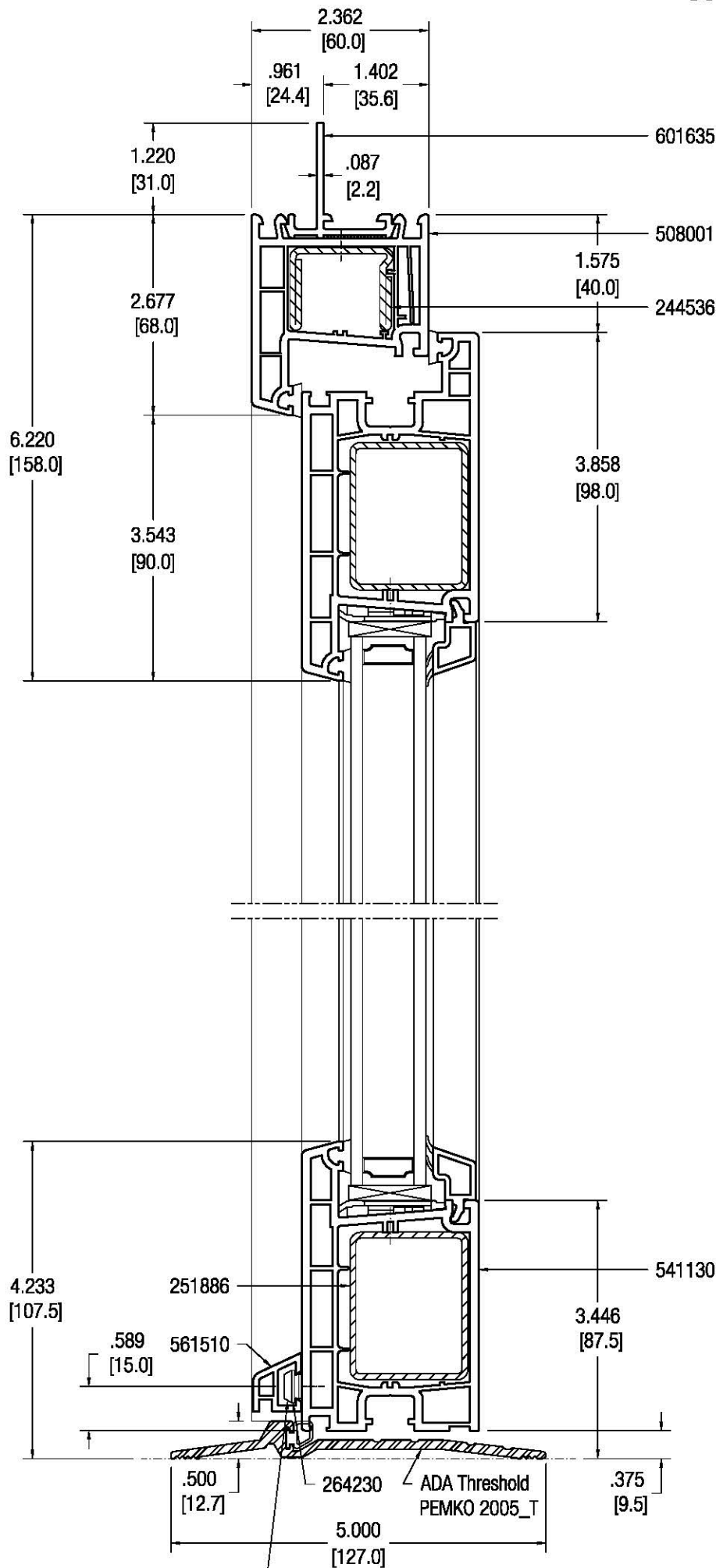
Fasten Screw-in Retainer to profile with #4 flat-head screws, 2 in (50 mm) from each end and every 8 in (200 mm) maximum spacing.



			System: 4500 SERIES	
			Title: Single IN-Swing Door use EU Frame, Sash Z98 and ADA-Threshold	
Rev #	Revision Description & Date	Date: 03/29/2018	Scale:	Drawn by: FHS
<small>Before using the drawing, the user must determine suitability of the drawing for user's intended use and shall assume all risk and liability in connection therewith. REHAU DISCLAIMS ALL WARRANTIES, EXPRESS OR IMPLIED, INCLUDING BUT NOT LIMITED TO ANY IMPLIED WARRANTIES OF MERCHANTABILITY OR FITNESS FOR A PARTICULAR PURPOSE.</small>		Drawing No.: 2002-16-351	SN:	Rev.: 1
		© 2018 REHAU. Do not disclose without written permission		

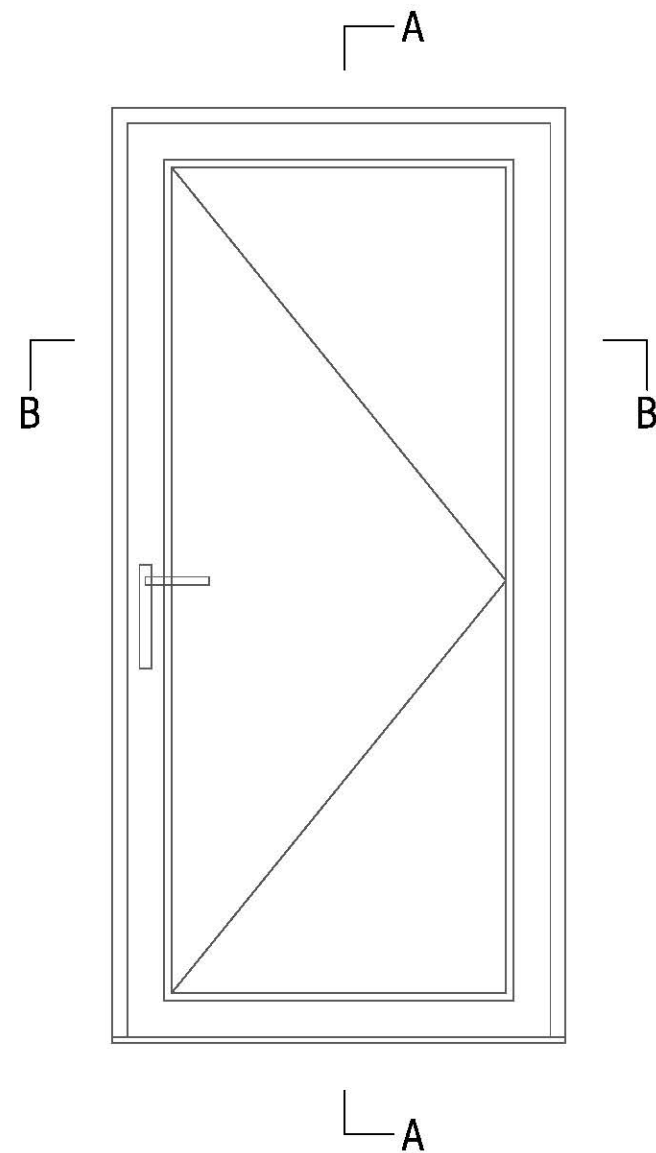


Section: B-B



Section: A-A

Fasten Screw-in Retainer to profile with #4 flat-head screws, 2 in (50 mm) from each end and every 8 in (200 mm) maximum spacing.



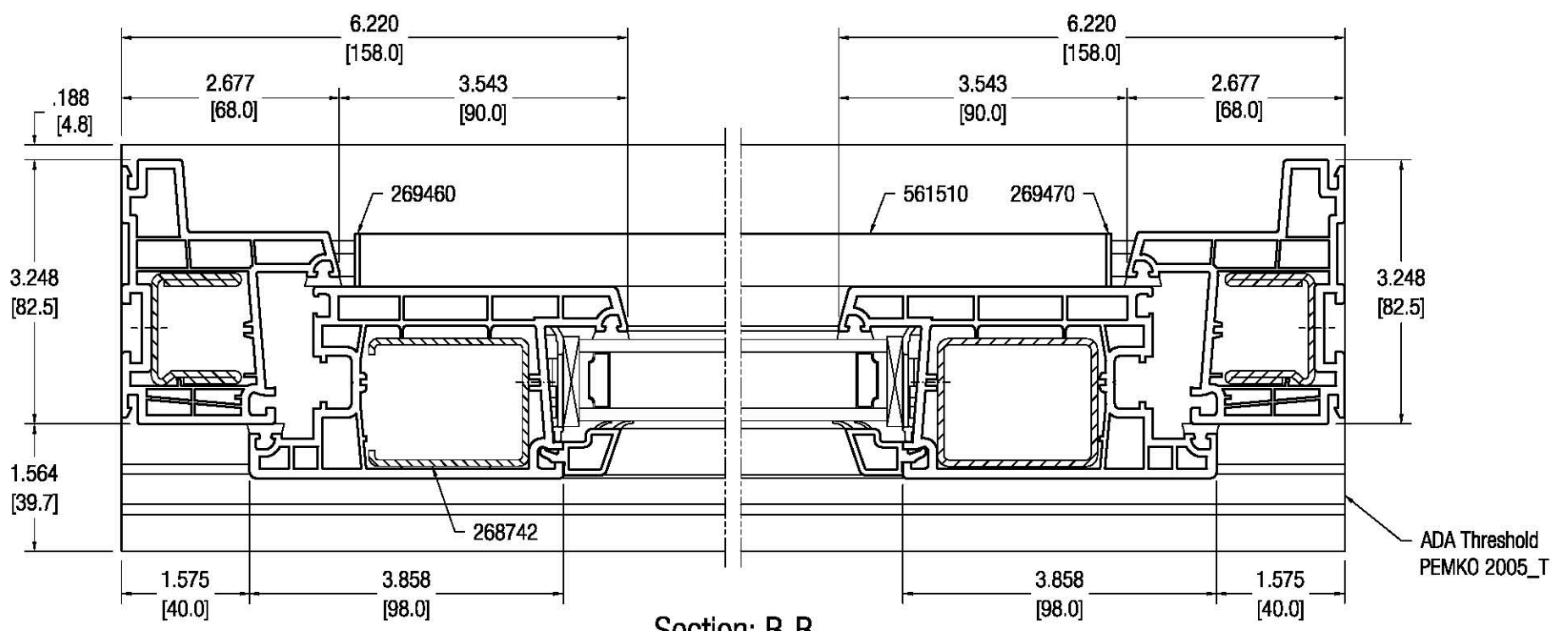
Rev #	Revision Description & Date

Before using the drawing, the user must determine suitability of the drawing for user's intended use and shall assume all risk and liability in connection therewith. REHAU DISCLAIMS ALL WARRANTIES, EXPRESS OR IMPLIED, INCLUDING BUT NOT LIMITED TO ANY IMPLIED WARRANTIES OF MERCHANTABILITY OR FITNESS FOR A PARTICULAR PURPOSE.

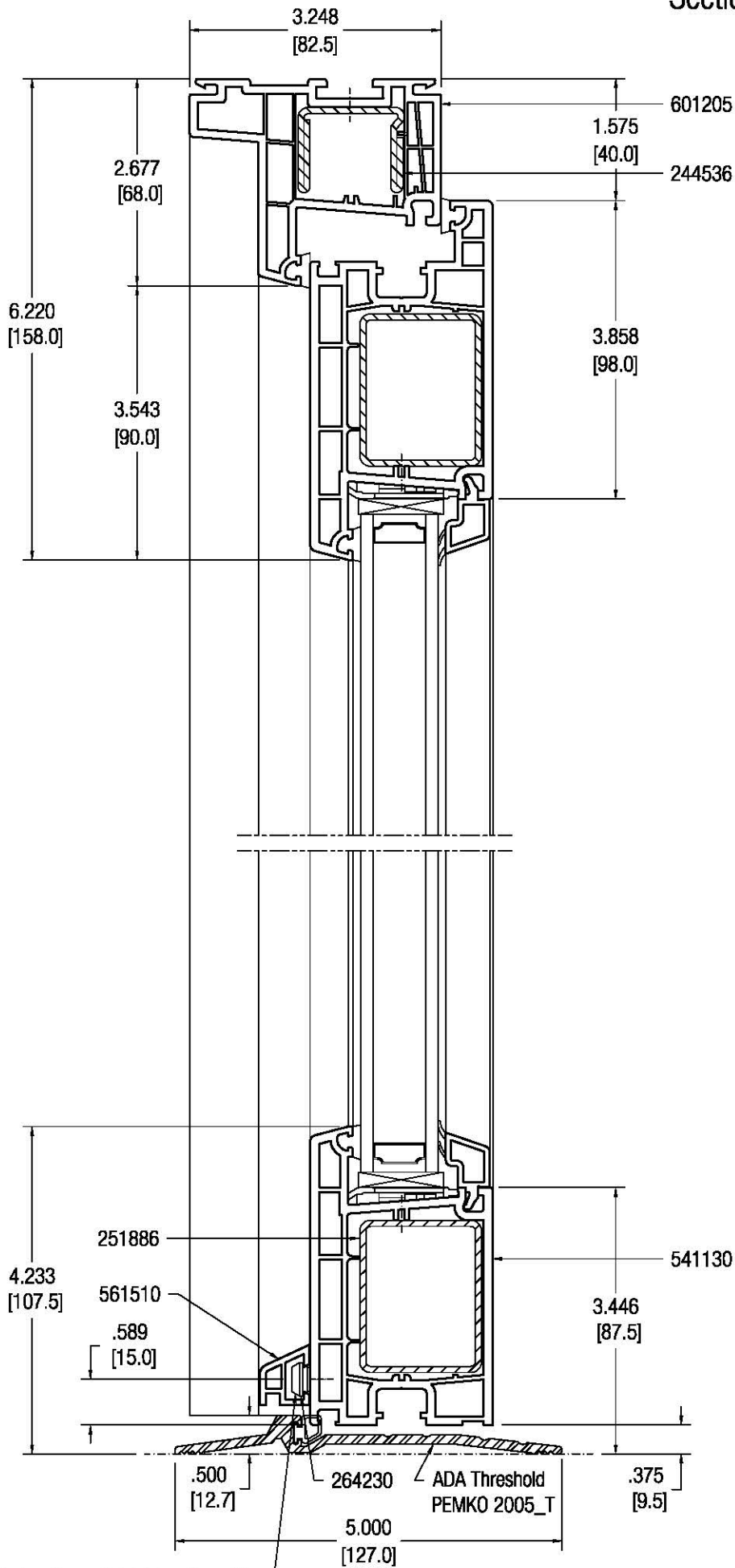


System: 4500 SERIES	
Title: Single In-Swing Door use EU Frame Snap on Nail-Fin, Sash Z98 and ADA-Threshold	
Date: 03/29/2018	Scale:
Drawing No.: 2002-16-352	SN: Rev.: 1
© 2018 REHAU. Do not disclose without written permission	

Drawn by: FHS

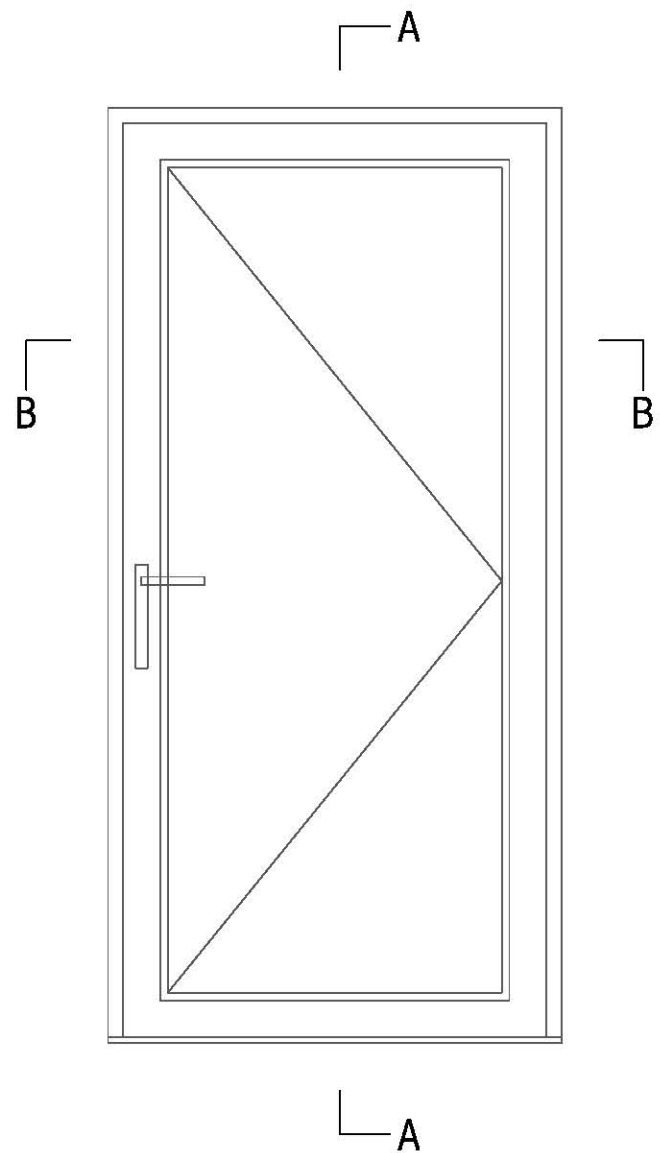


Section: B-B



Section: A-A

Fasten Screw-in Retainer to profile with #4 flat-head screws, 2 in (50 mm) from each end and every 8 in (200 mm) maximum spacing.



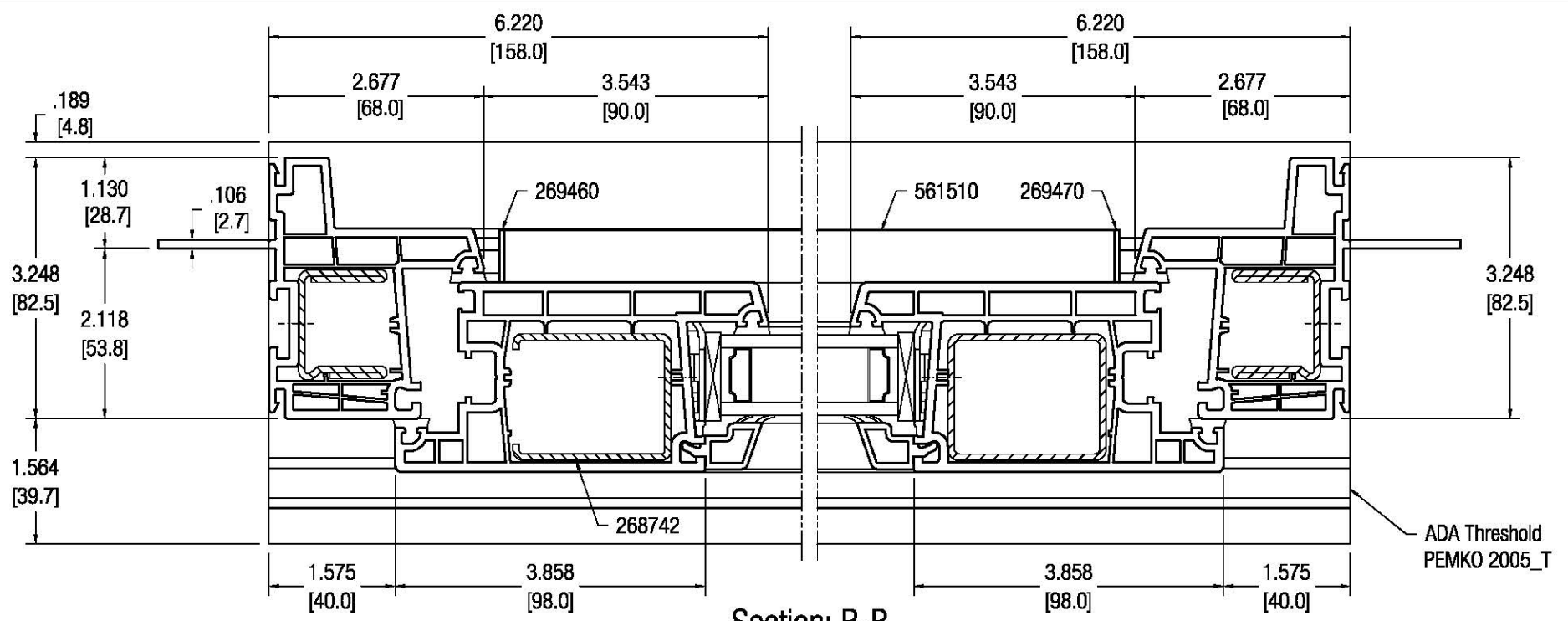
Rev #	Revision Description & Date

Before using the drawing, the user must determine suitability of the drawing for user's intended use and shall assume all risk and liability in connection therewith. REHAU DISCLAIMS ALL WARRANTIES, EXPRESS OR IMPLIED, INCLUDING BUT NOT LIMITED TO ANY IMPLIED WARRANTIES OF MERCHANTABILITY OR FITNESS FOR A PARTICULAR PURPOSE.

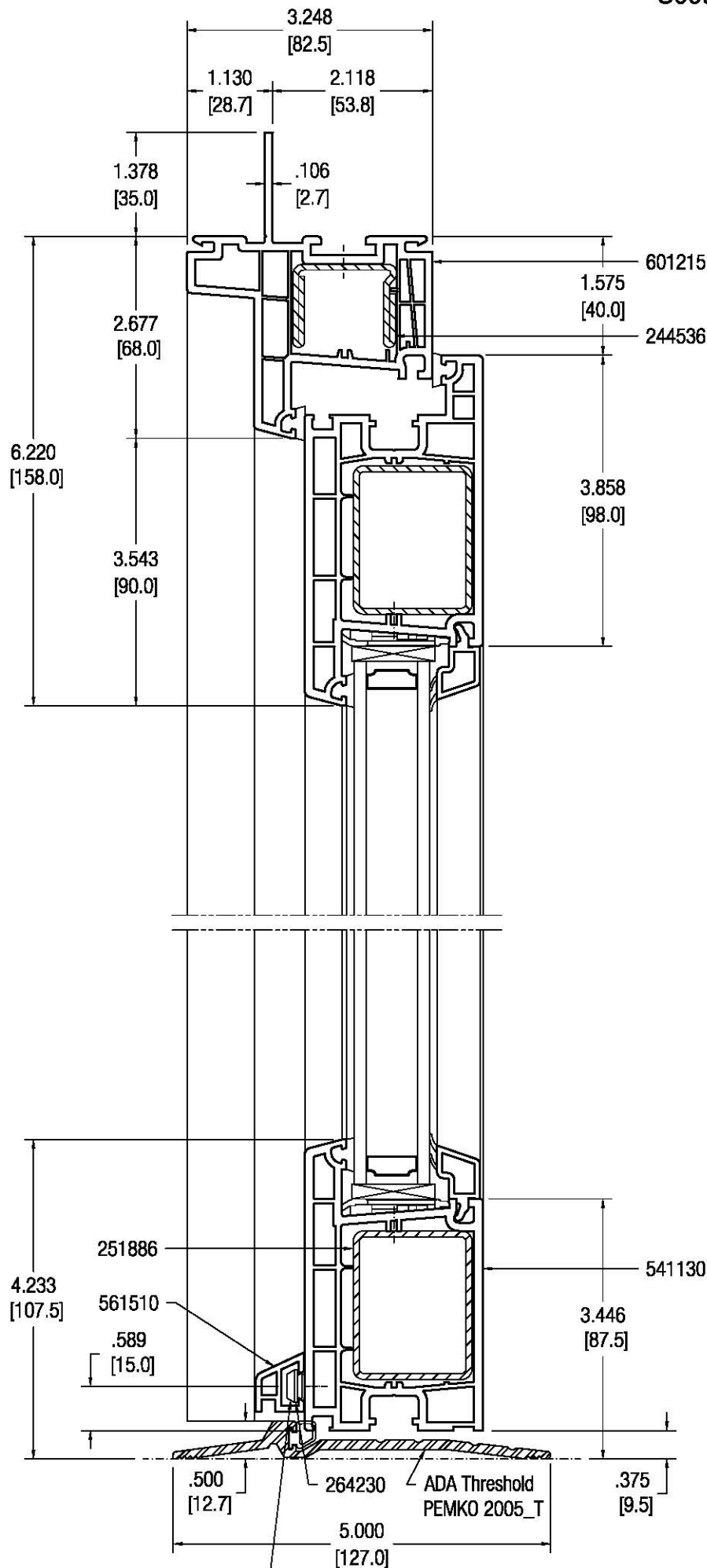


System: 4500 SERIES	
Title: Single In-Swing Door use NA Frame, Sash Z98 and ADA-Threshold	
Date: 03/29/2018	Scale:
Drawing No.: 2002-16-353	SN: Rev.: 1
© 2018 REHAU. Do not disclose without written permission	

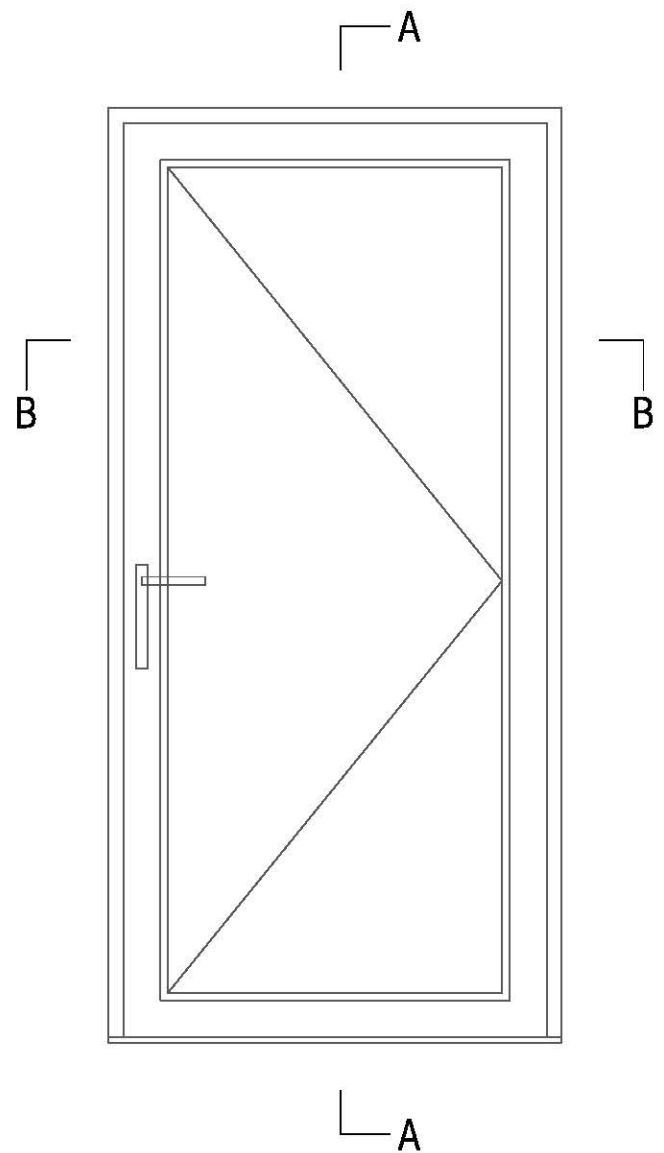
Drawn by: FHS



Section: B-B



Section: A-A

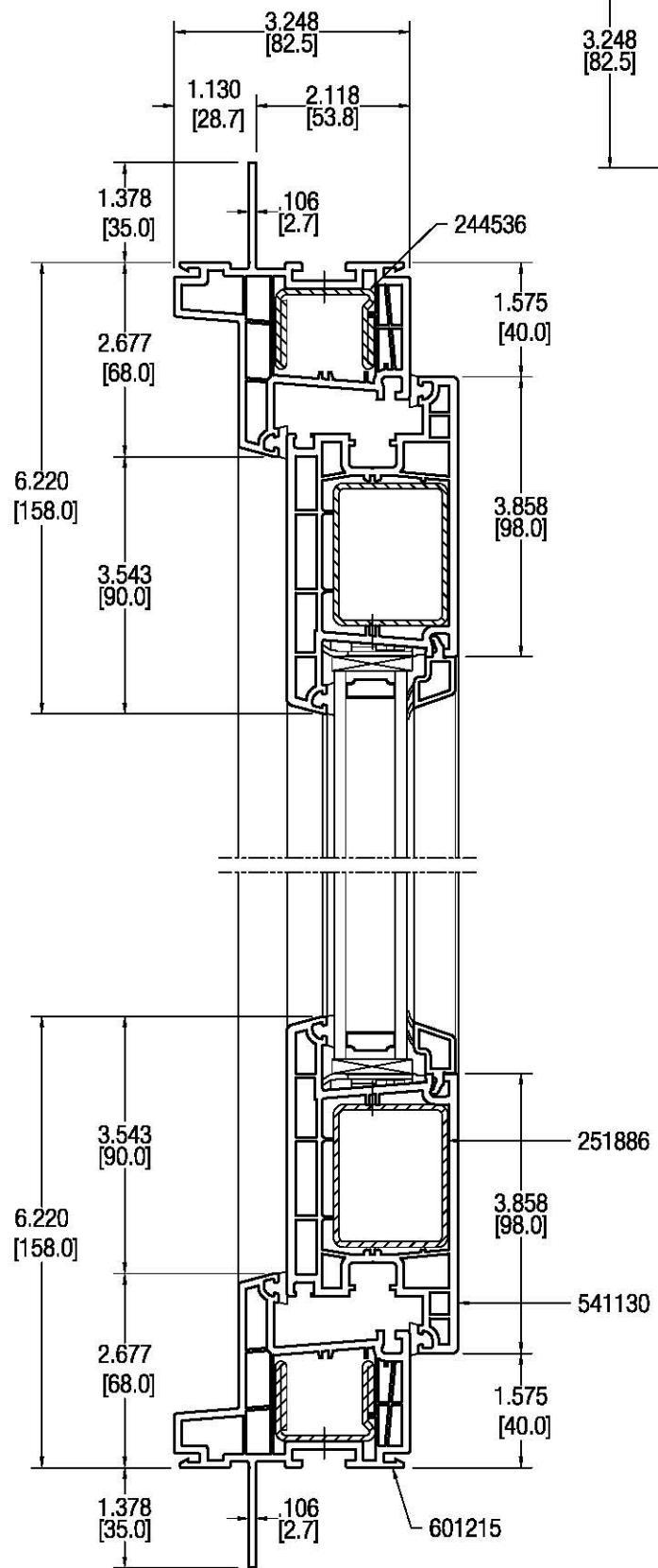


Rev #	Revision Description & Date

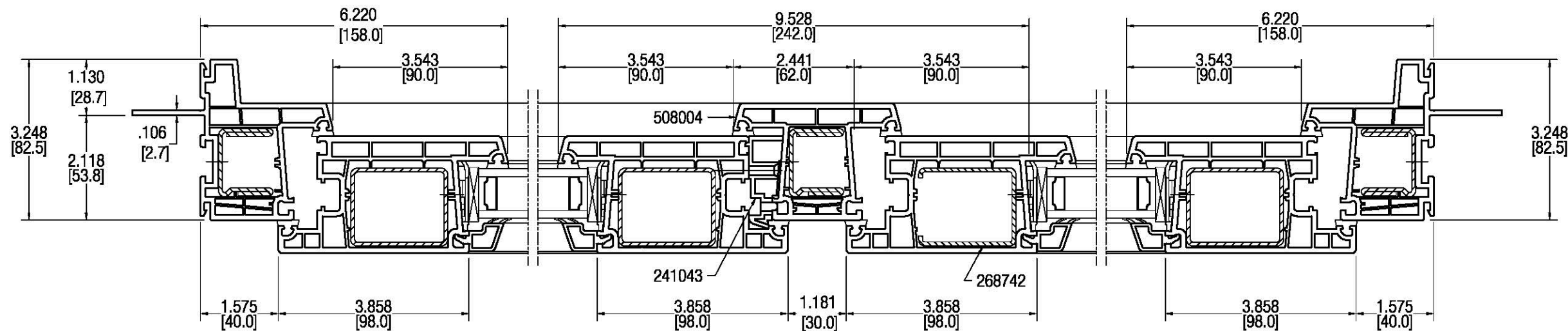
Before using the drawing, the user must determine suitability of the drawing for user's intended use and shall assume all risk and liability in connection therewith. REHAU DISCLAIMS ALL WARRANTIES, EXPRESS OR IMPLIED, INCLUDING BUT NOT LIMITED TO ANY IMPLIED WARRANTIES OF MERCHANTABILITY OR FITNESS FOR A PARTICULAR PURPOSE.



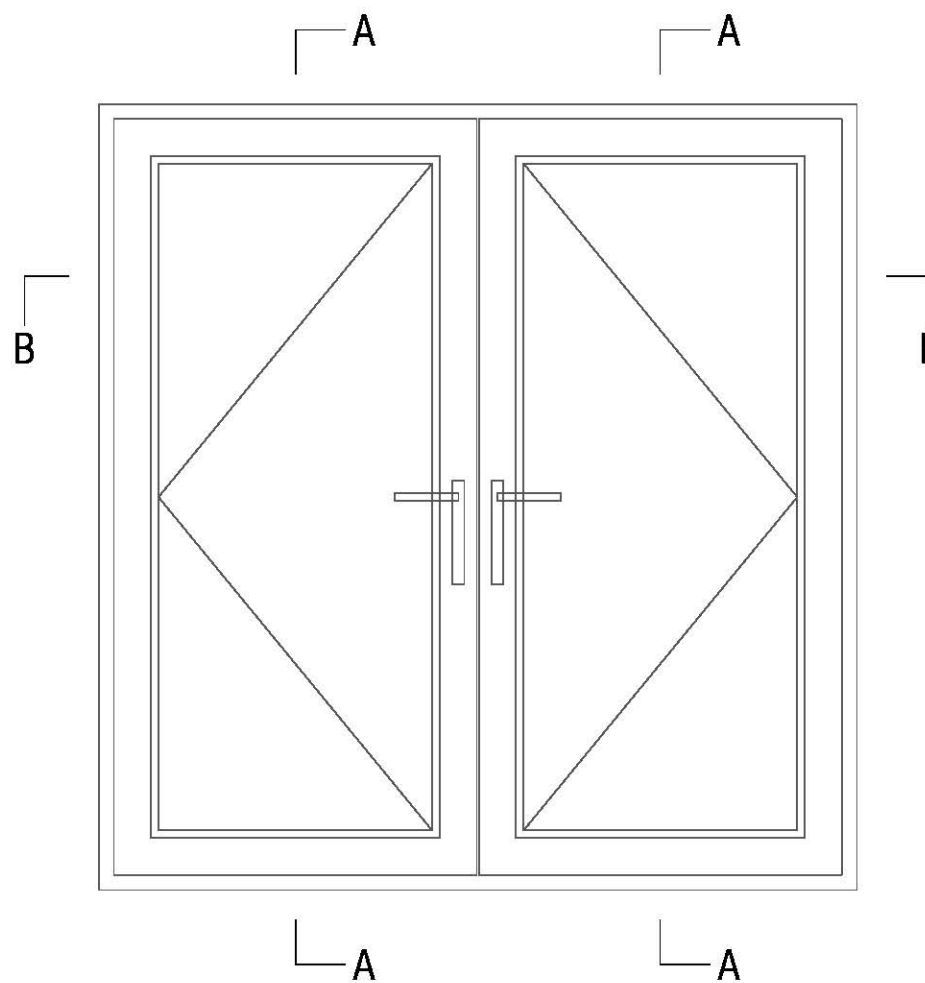
System: 4500 SERIES
 Title: Single In-Swing Door use NA Frame with Fin, Sash Z98 and ADA-Threshold
 Date: 03/29/2018 Scale: Drawn by: FHS
 Drawing No.: 2002-16-354 SN: Rev.: 1
 © 2018 REHAU. Do not disclose without written permission



Section: A-A



Section: B-B



Rev #	Revision Description & Date

Before using the drawing, the user must determine suitability of the drawing for user's intended use and shall assume all risk and liability in connection therewith. REHAU DISCLAIMS ALL WARRANTIES, EXPRESS OR IMPLIED, INCLUDING BUT NOT LIMITED TO ANY IMPLIED WARRANTIES OF MERCHANTABILITY OR FITNESS FOR A PARTICULAR PURPOSE.



System: 4500 SERIES
 Title: Double In-Swing Door useNA Frame with Fin, T-Mullion (as astragal) and Sash Z98
 Date: 03/29/2018 Scale: Drawn by: FHS
 Drawing No.: 2002-17-171 SN: Rev.: 1
 © 2018 REHAU. Do not disclose without written permission