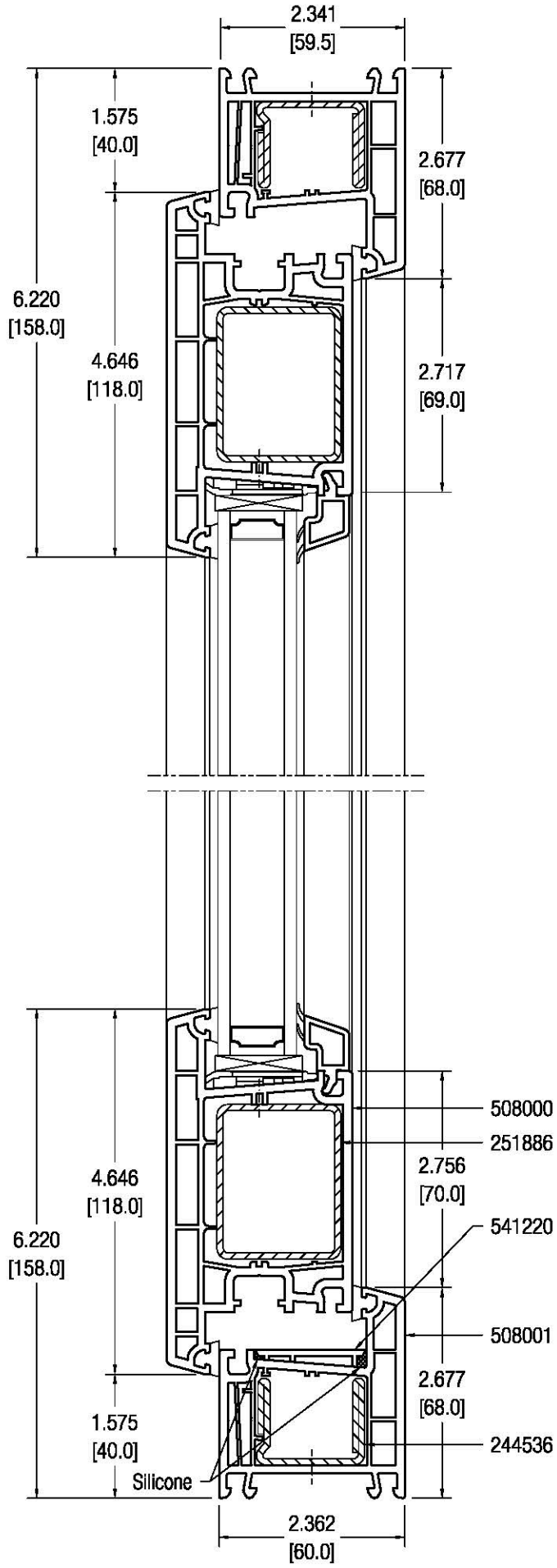
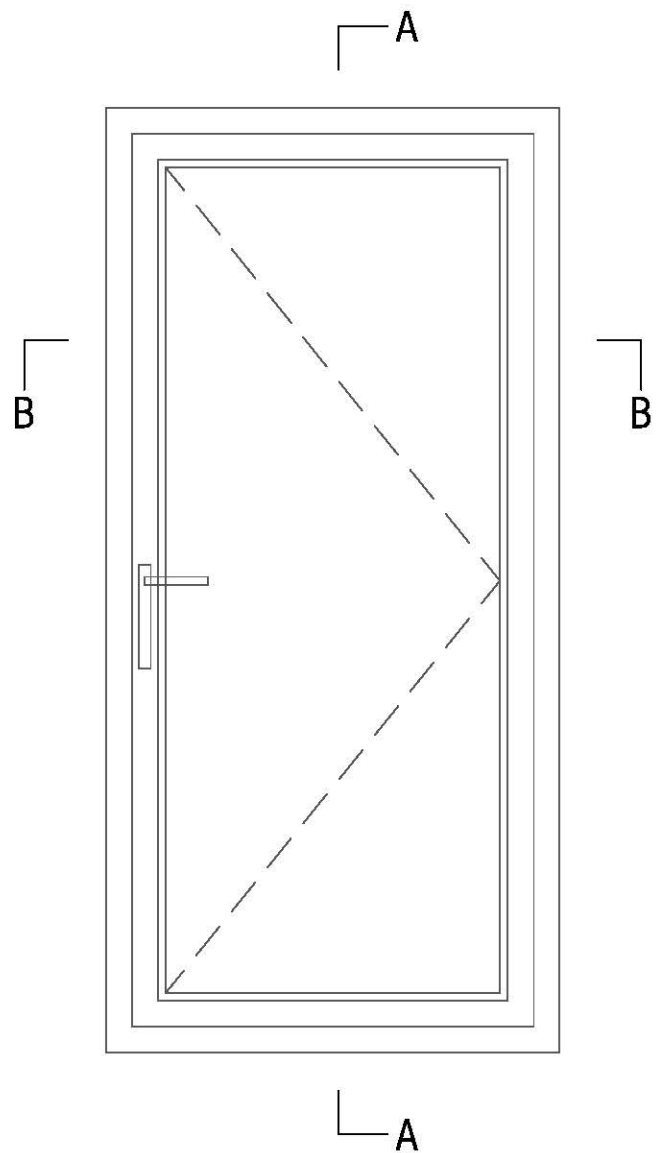


Section: B-B



Section: A-A



Rev #	Revision Description & Date

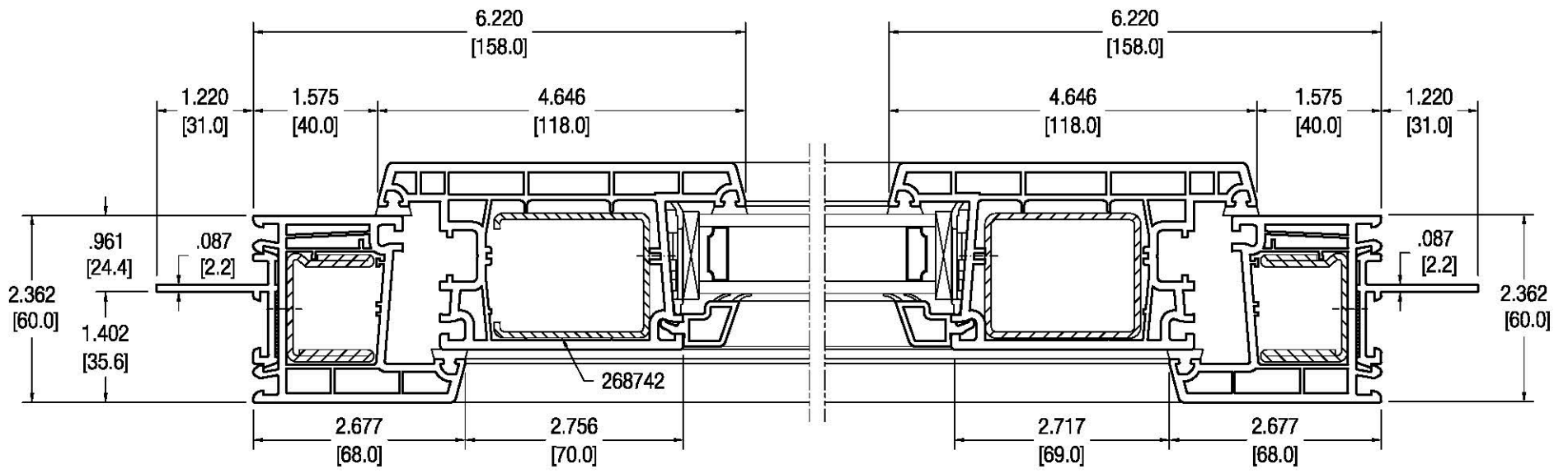
Before using the drawing, the user must determine suitability of the drawing for user's intended use and shall assume all risk and liability in connection therewith. REHAU DISCLAIMS ALL WARRANTIES, EXPRESS OR IMPLIED, INCLUDING BUT NOT LIMITED TO ANY IMPLIED WARRANTIES OF MERCHANTABILITY OR FITNESS FOR A PARTICULAR PURPOSE.



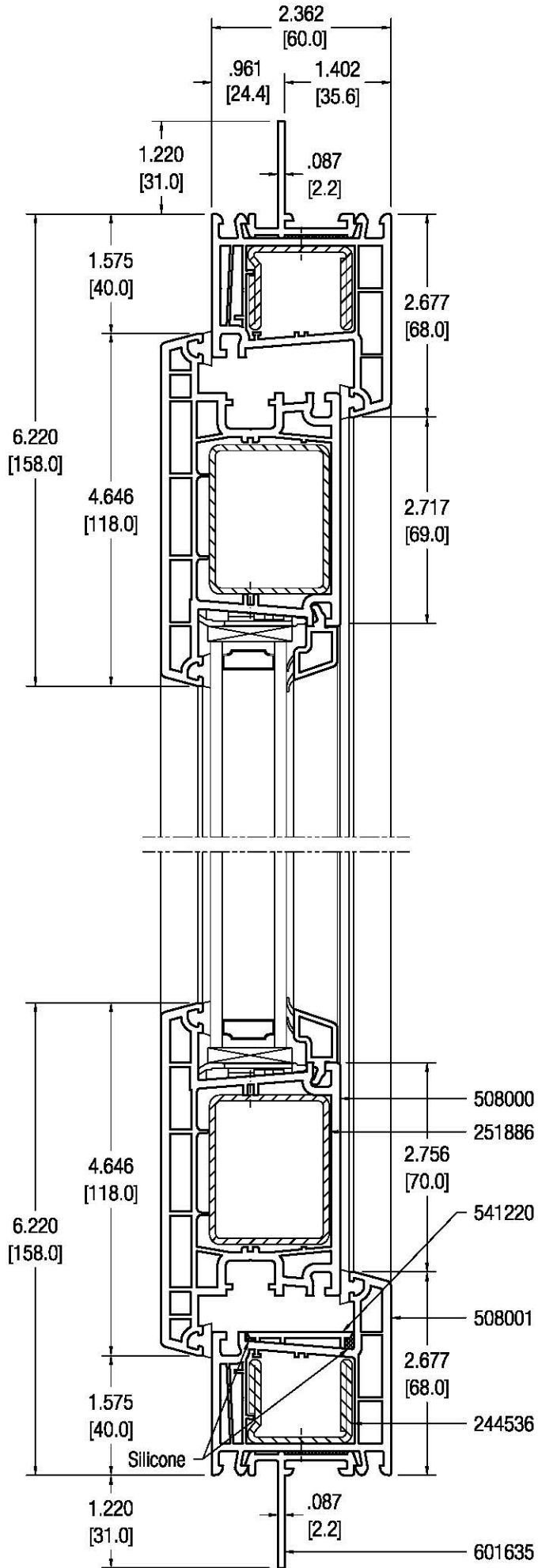
System: 4500 SERIES	
Title: Single Out-Swing Door use EU Frame and Sash T118	
Date: 03/29/2018	Scale:
Drawing No.: 2002-16-110	SN: Rev.: 1
© 2018 REHAU. Do not disclose without written permission	

Drawn by: FHS

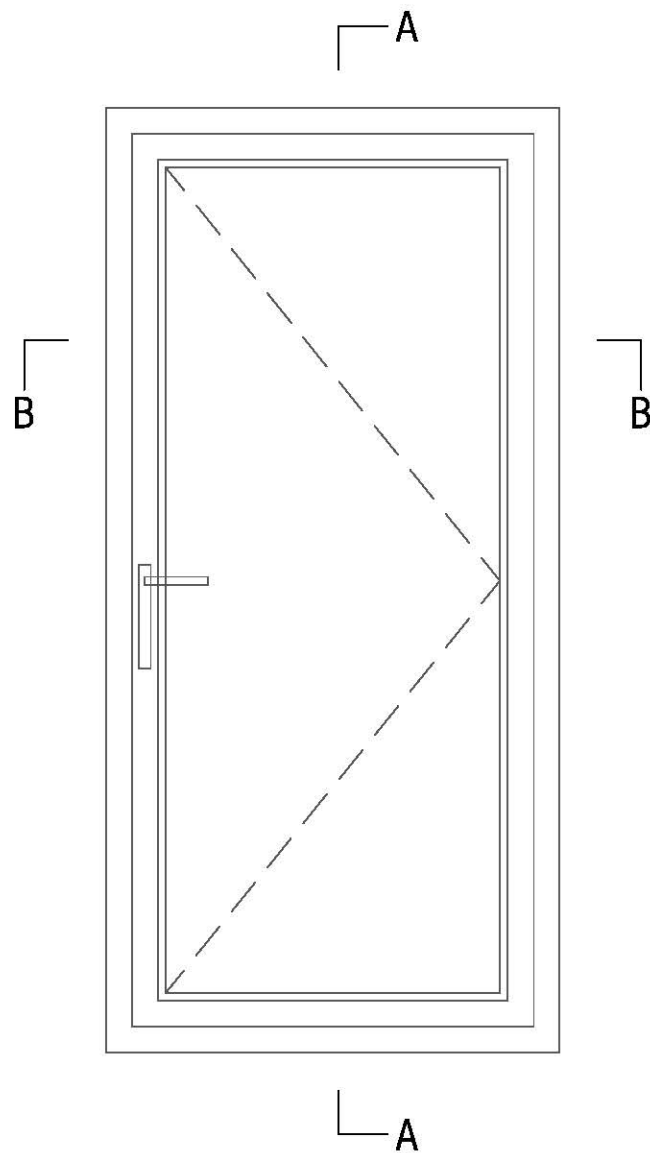
SN: Rev.: 1



Section: B-B



Section: A-A



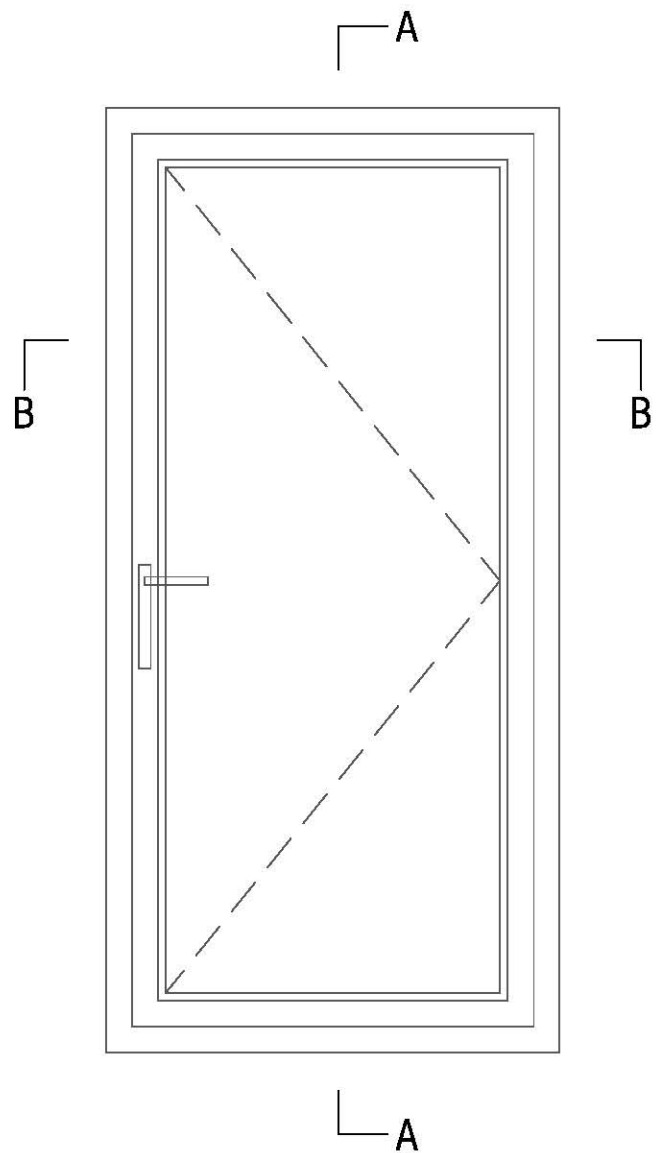
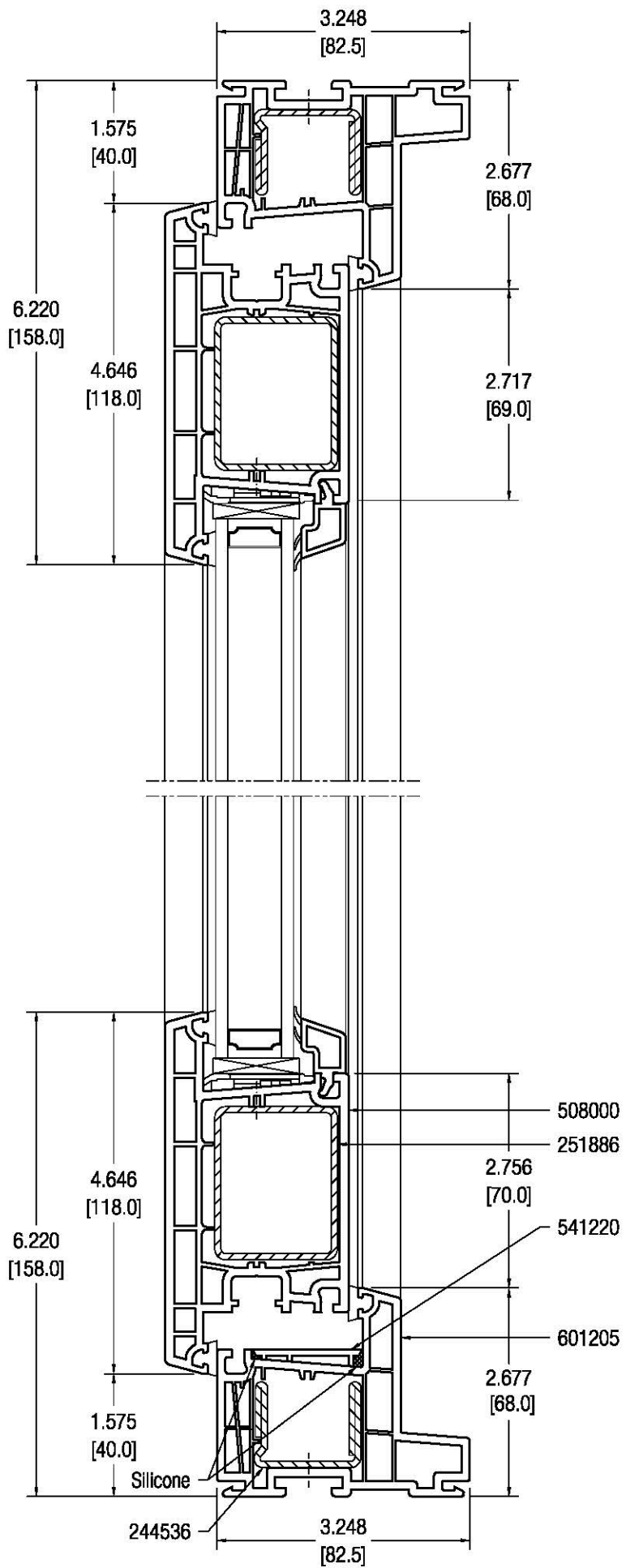
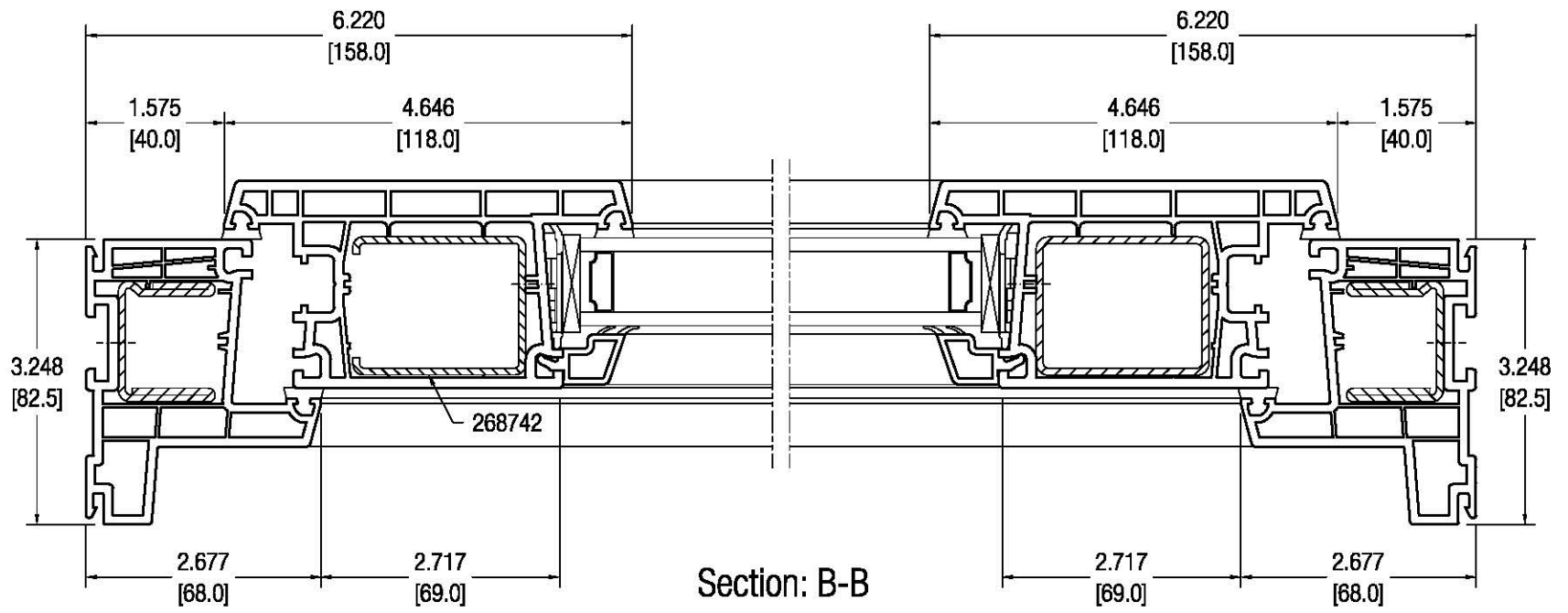
Rev #	Revision Description & Date

Before using the drawing, the user must determine suitability of the drawing for user's intended use and shall assume all risk and liability in connection therewith. REHAU DISCLAIMS ALL WARRANTIES, EXPRESS OR IMPLIED, INCLUDING BUT NOT LIMITED TO ANY IMPLIED WARRANTIES OF MERCHANTABILITY OR FITNESS FOR A PARTICULAR PURPOSE.



System: 4500 SERIES	
Title: Single Out-Swing Door use EU Frame Snap on Nail-Fin and Sash T118	
Date: 03/29/2018	Scale:
Drawing No.: 2002-16-111	SN: Rev.: 1
© 2018 REHAU. Do not disclose without written permission	

Drawn by: FHS

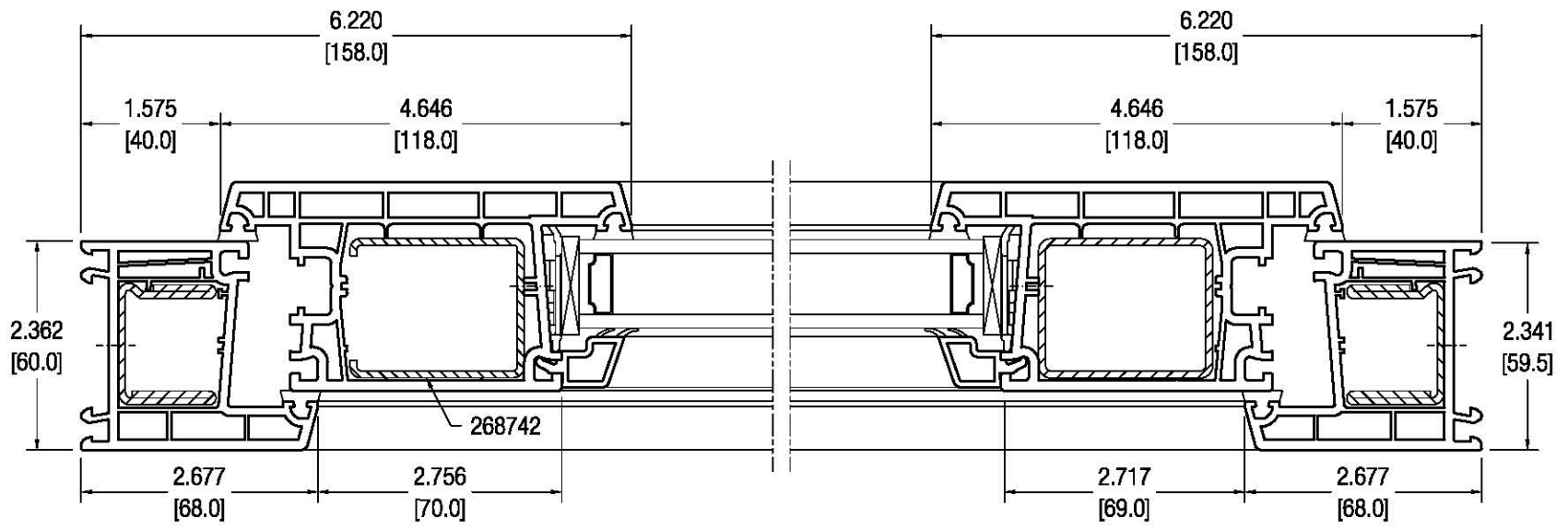


Rev #	Revision Description & Date

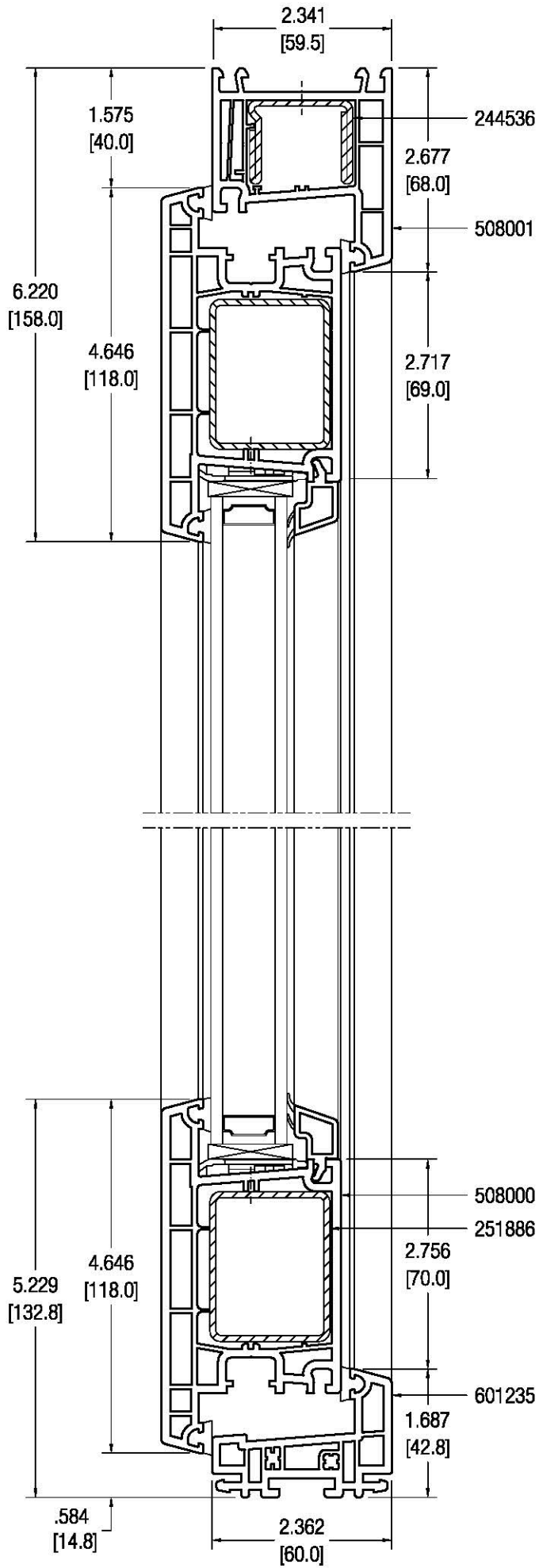
Before using the drawing, the user must determine suitability of the drawing for user's intended use and shall assume all risk and liability in connection therewith. REHAU DISCLAIMS ALL WARRANTIES, EXPRESS OR IMPLIED, INCLUDING BUT NOT LIMITED TO ANY IMPLIED WARRANTIES OF MERCHANTABILITY OR FITNESS FOR A PARTICULAR PURPOSE.



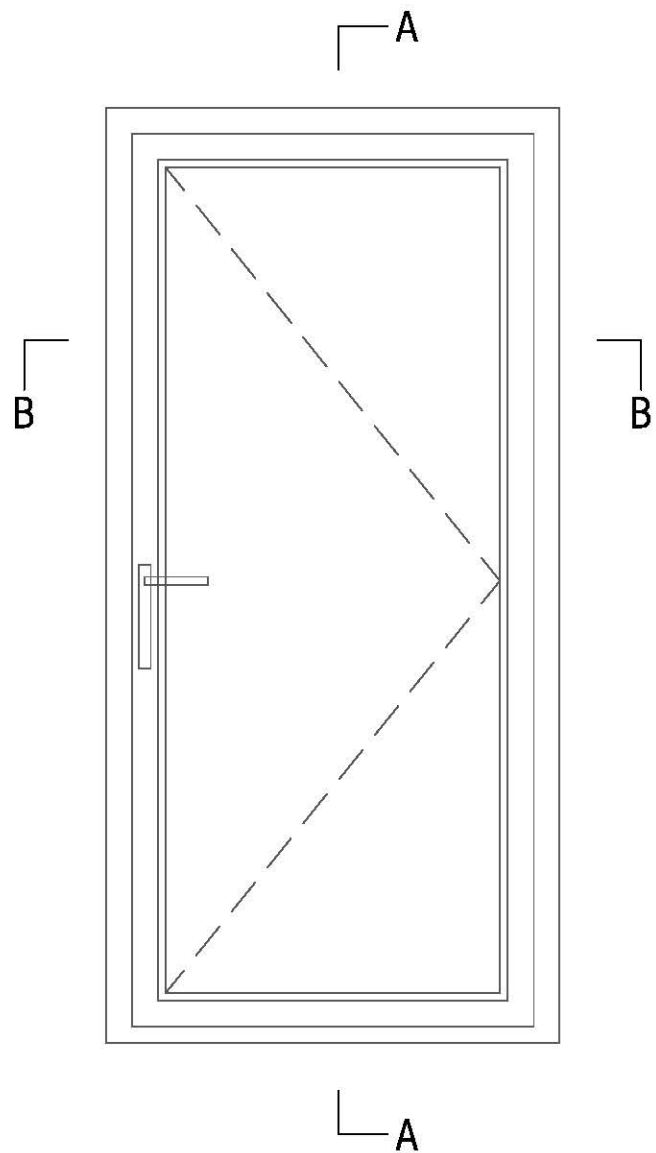
System: 4500 SERIES	
Title: Single Out-Swing Door use NA Frame and Sash T118	
Date: 03/29/2018	Scale:
Drawing No.: 2002-16-112	SN: Rev.: 1
© 2018 REHAU. Do not disclose without written permission	



Section: B-B



Section: A-A

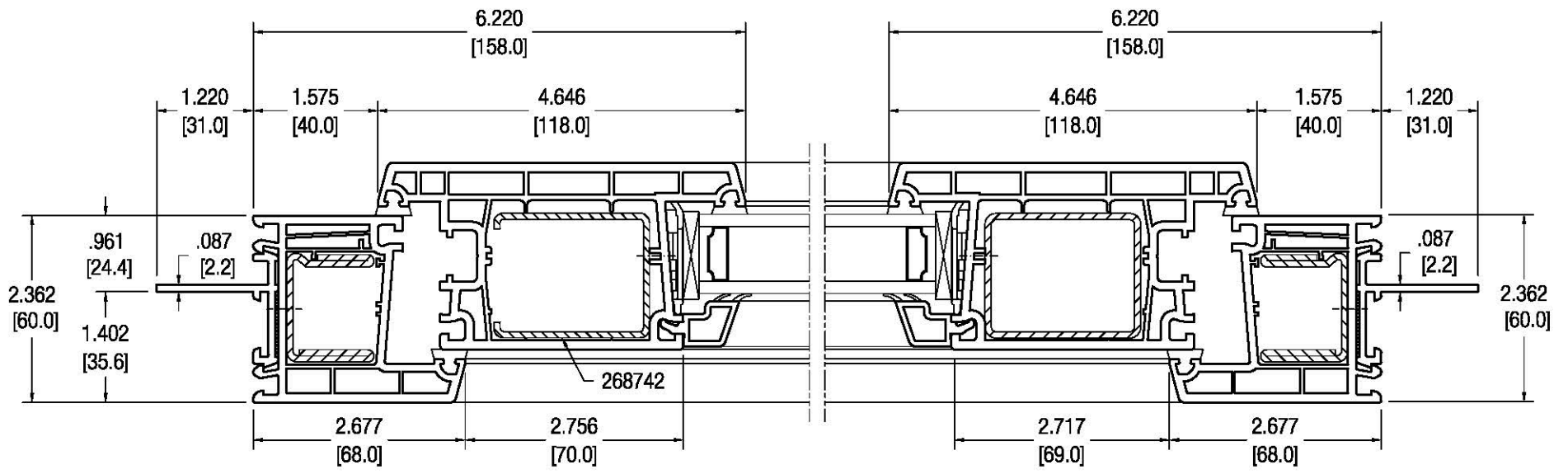


Rev #	Revision Description & Date

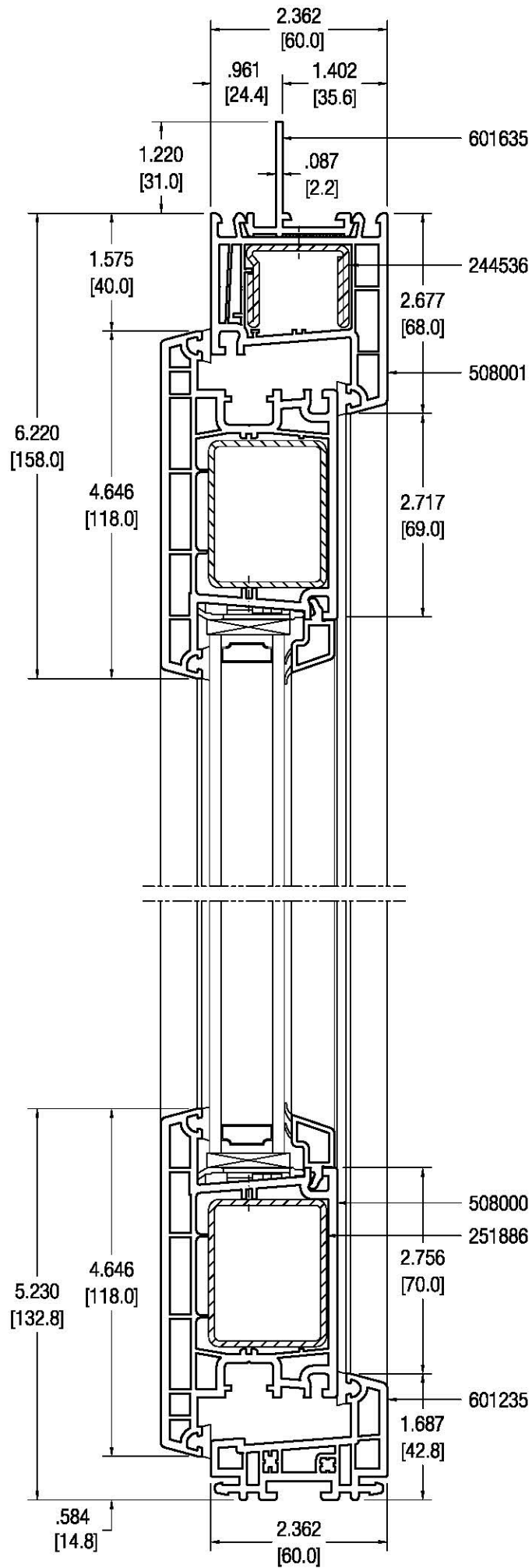
Before using the drawing, the user must determine suitability of the drawing for user's intended use and shall assume all risk and liability in connection therewith. REHAU DISCLAIMS ALL WARRANTIES, EXPRESS OR IMPLIED, INCLUDING BUT NOT LIMITED TO ANY IMPLIED WARRANTIES OF MERCHANTABILITY OR FITNESS FOR A PARTICULAR PURPOSE.



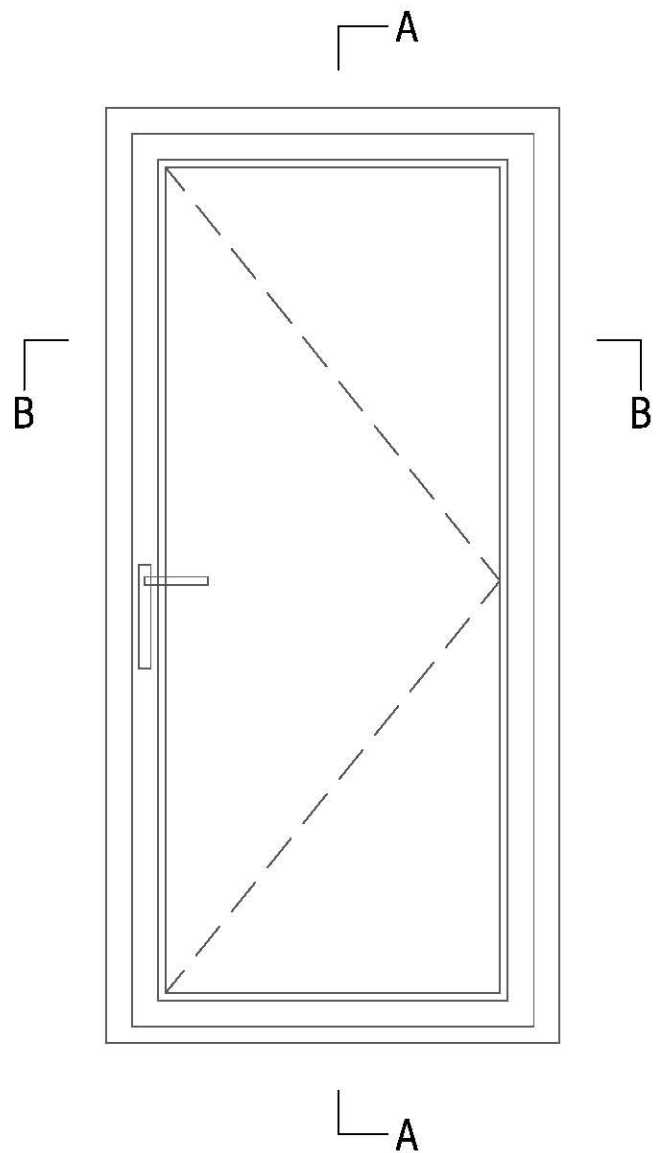
System: 4500 SERIES	
Title: Single Out-Swing Door use EU Frame, Sash T118 and Sub-Sill	
Date: 03/29/2018	Scale:
Drawing No.: 2002-16-114	Drawn by: FHS
	SN: Rev.: 1
© 2018 REHAU. Do not disclose without written permission	



Section: B-B



Section: A-A



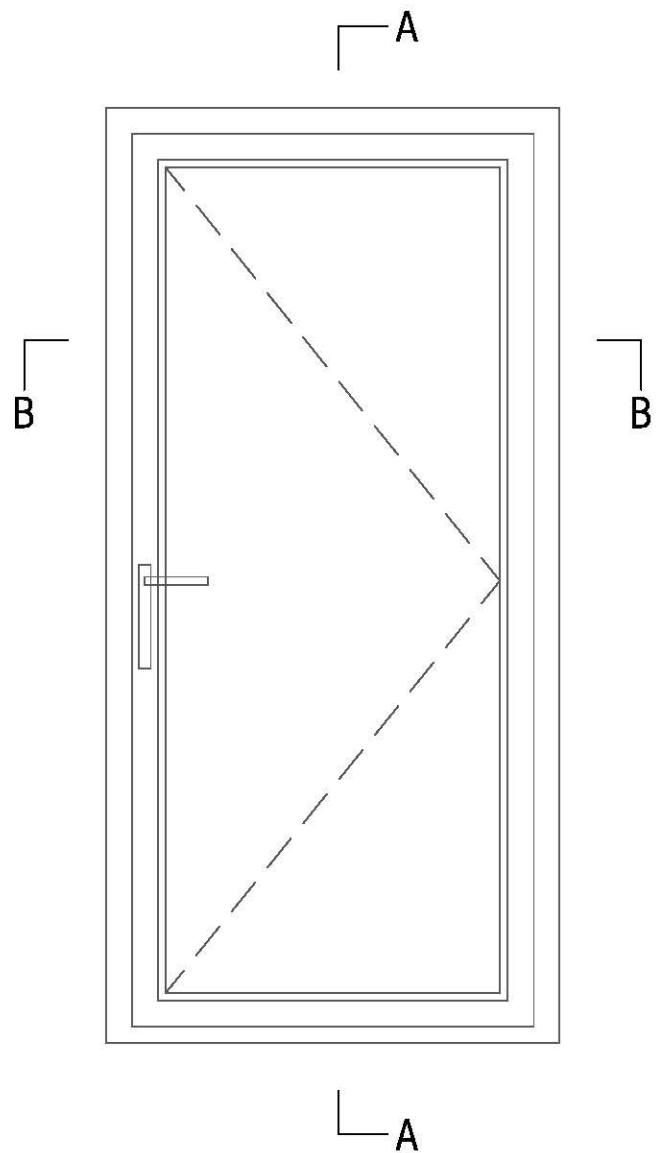
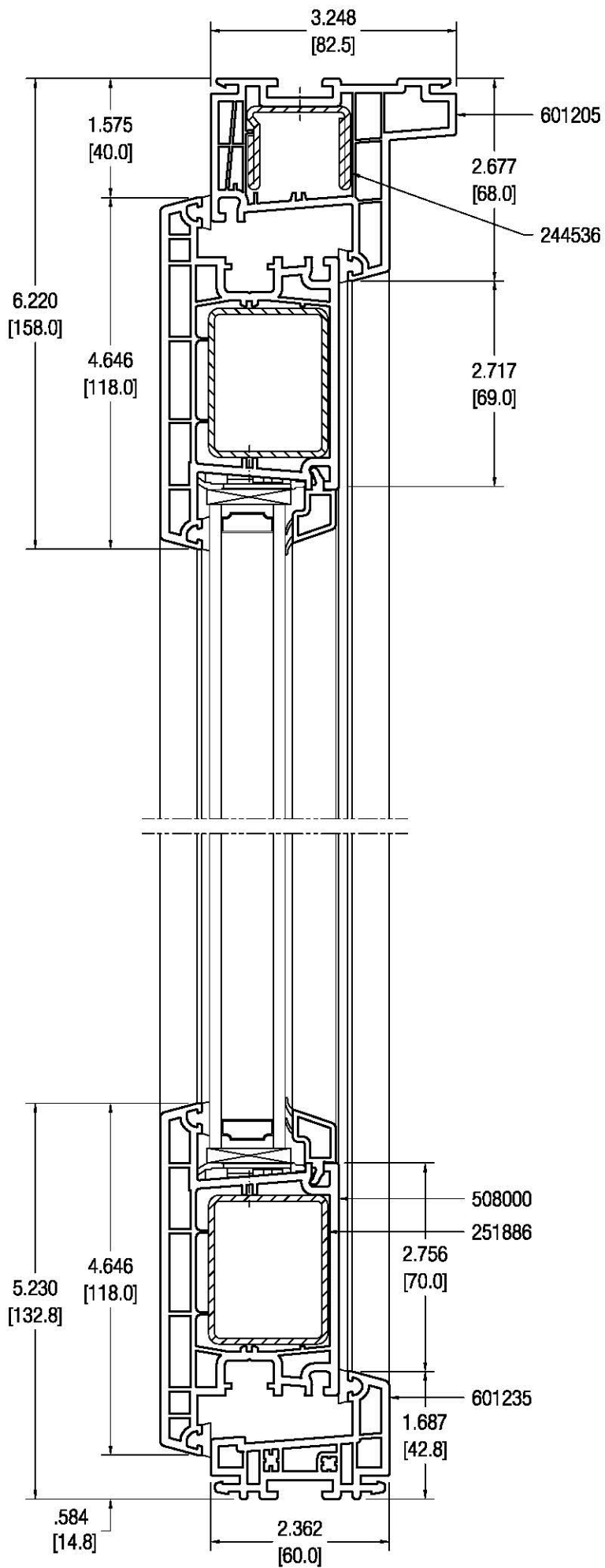
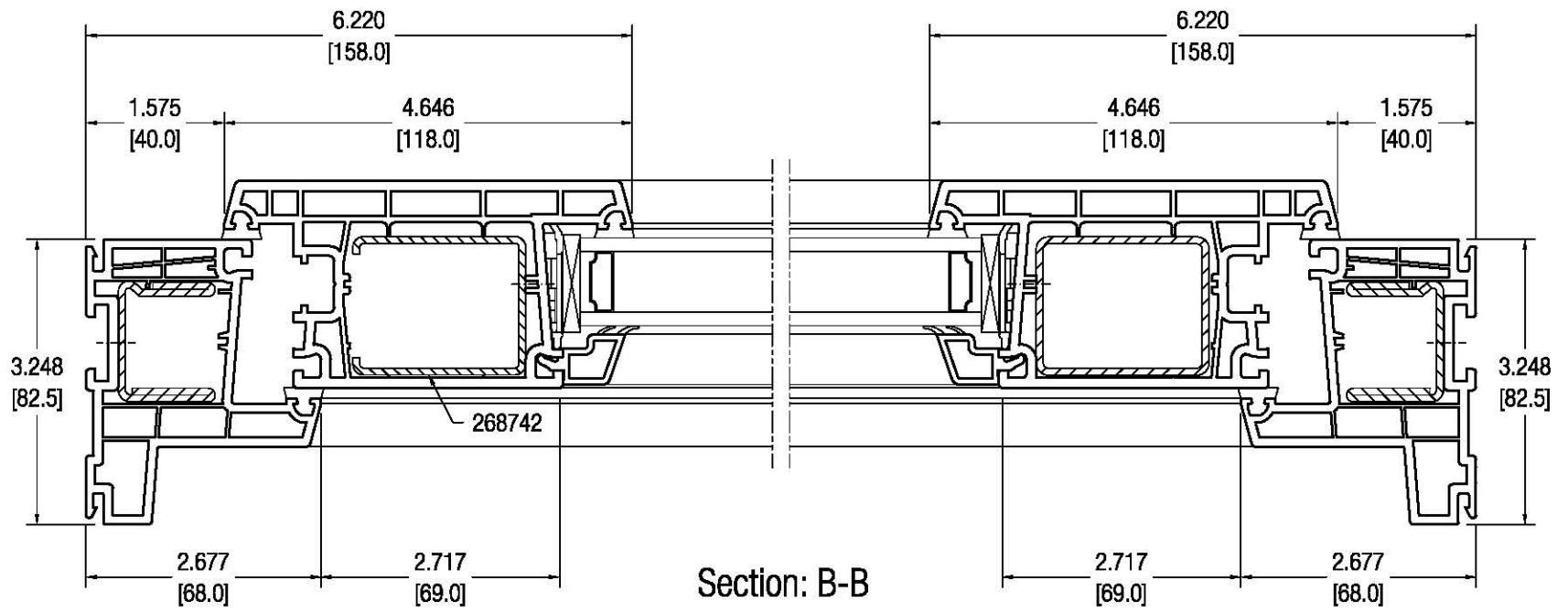
Rev #	Revision Description & Date

Before using the drawing, the user must determine suitability of the drawing for user's intended use and shall assume all risk and liability in connection therewith. REHAU DISCLAIMS ALL WARRANTIES, EXPRESS OR IMPLIED, INCLUDING BUT NOT LIMITED TO ANY IMPLIED WARRANTIES OF MERCHANTABILITY OR FITNESS FOR A PARTICULAR PURPOSE.



System: 4500 SERIES	
Title: Single Out-Swing Door use EU Frame Snap on Nail-Fin, Sash T118 and Sub-Sill	
Date: 03/29/2018	Scale:
Drawing No.: 2002-16-115	SN: Rev.: 1
© 2018 REHAU. Do not disclose without written permission	

Drawn by: FHS

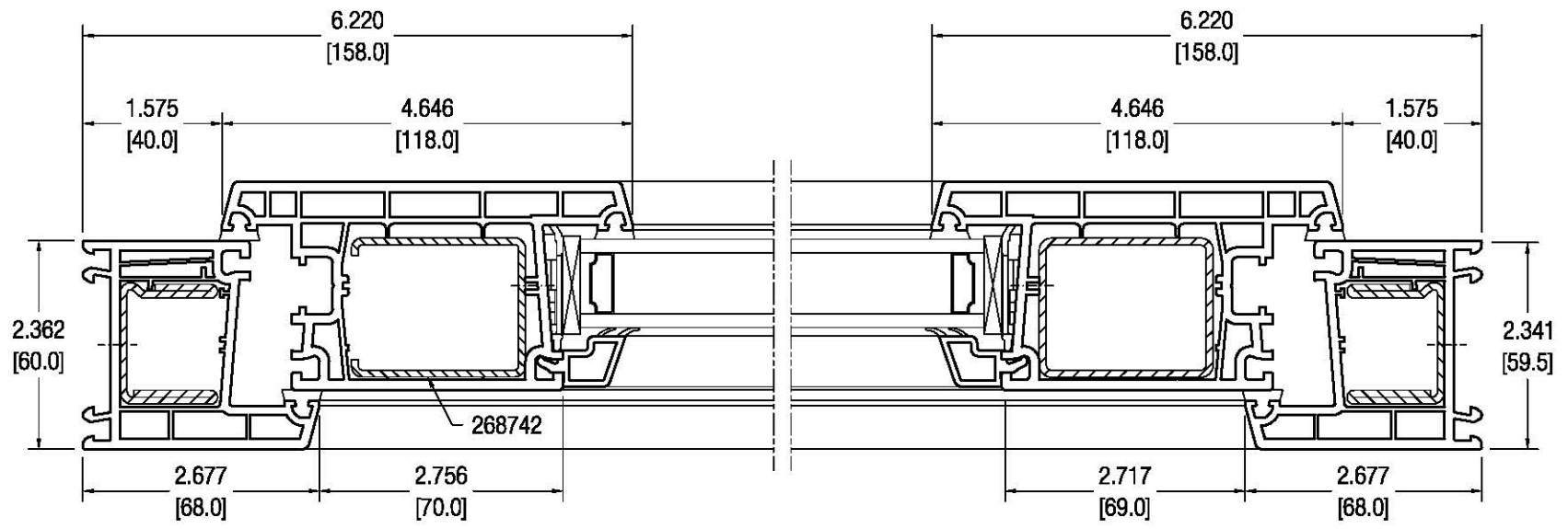


Rev #	Revision Description & Date

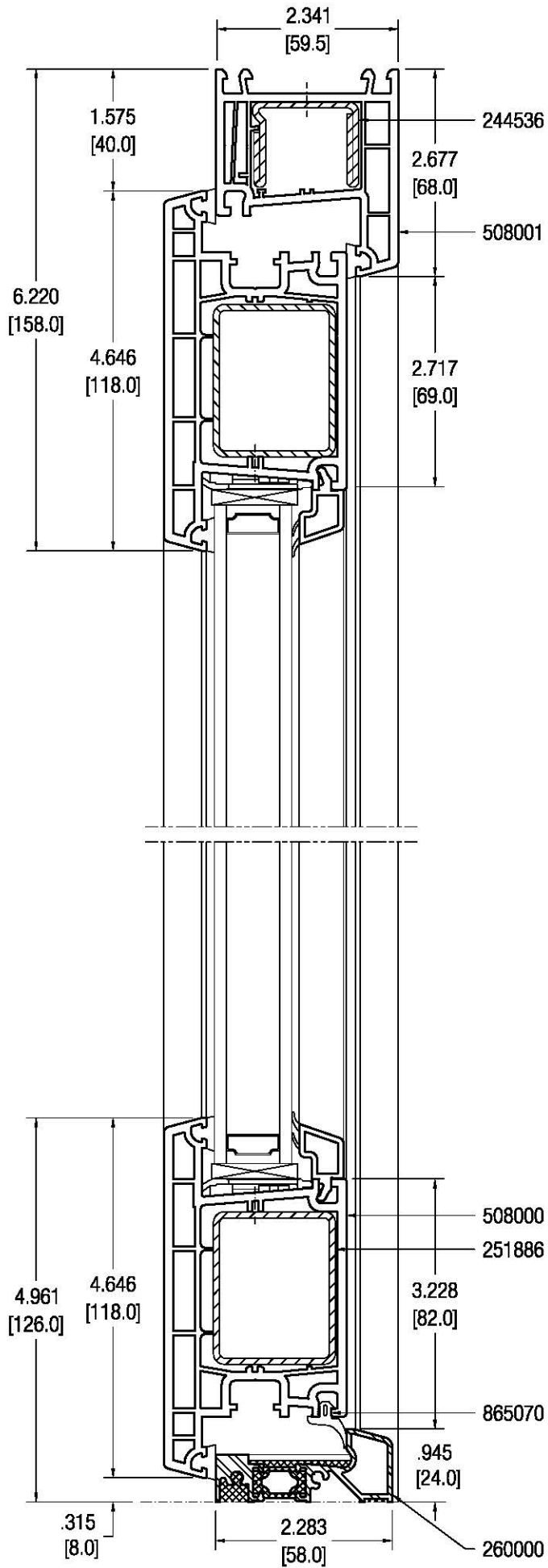
Before using the drawing, the user must determine suitability of the drawing for user's intended use and shall assume all risk and liability in connection therewith. REHAU DISCLAIMS ALL WARRANTIES, EXPRESS OR IMPLIED, INCLUDING BUT NOT LIMITED TO ANY IMPLIED WARRANTIES OF MERCHANTABILITY OR FITNESS FOR A PARTICULAR PURPOSE.



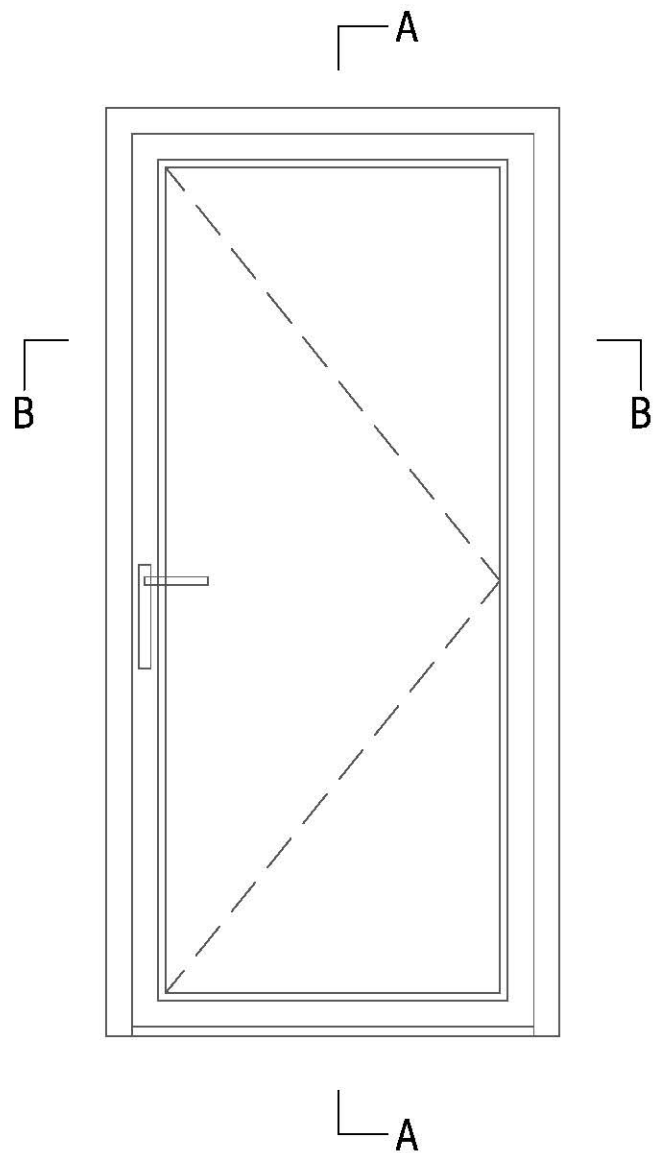
System: 4500 SERIES	
Title: Single Out-Swing Door use NA Frame, Sash T118 and Sub-Sill	
Date: 03/29/2018	Scale:
Drawing No.: 2002-16-116	Drawn by: FHS
© 2018 REHAU. Do not disclose without written permission	SN: Rev.: 1



Section: B-B



Section: A-A

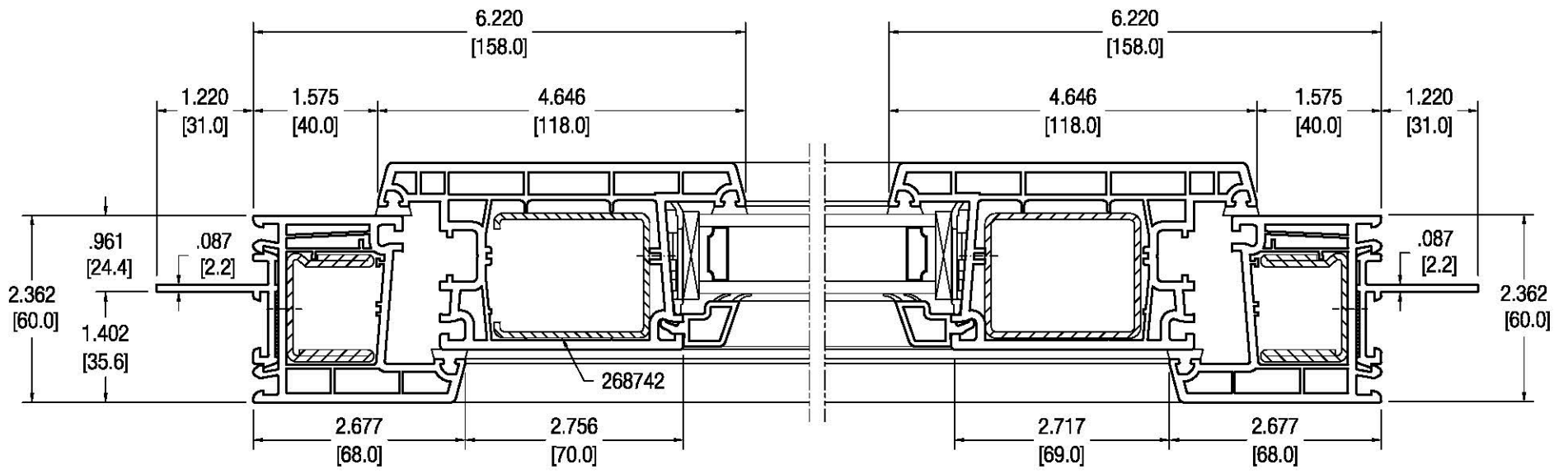


Rev #	Revision Description & Date

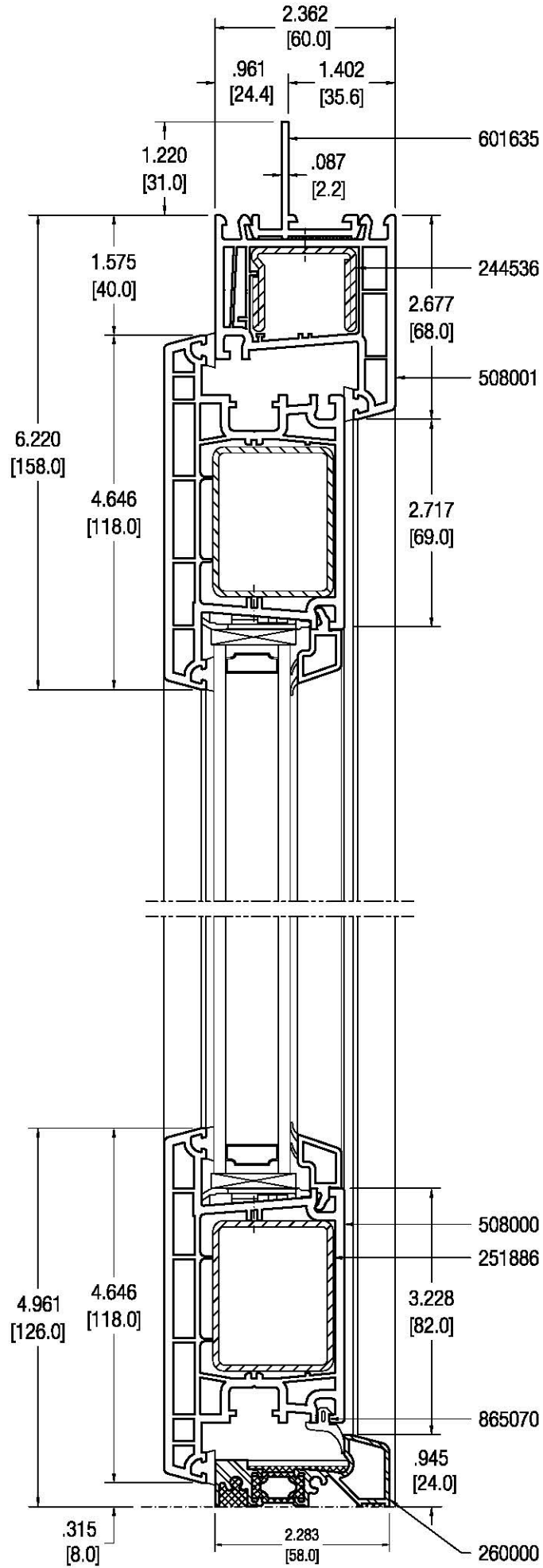
Before using the drawing, the user must determine suitability of the drawing for user's intended use and shall assume all risk and liability in connection therewith. REHAU DISCLAIMS ALL WARRANTIES, EXPRESS OR IMPLIED, INCLUDING BUT NOT LIMITED TO ANY IMPLIED WARRANTIES OF MERCHANTABILITY OR FITNESS FOR A PARTICULAR PURPOSE.



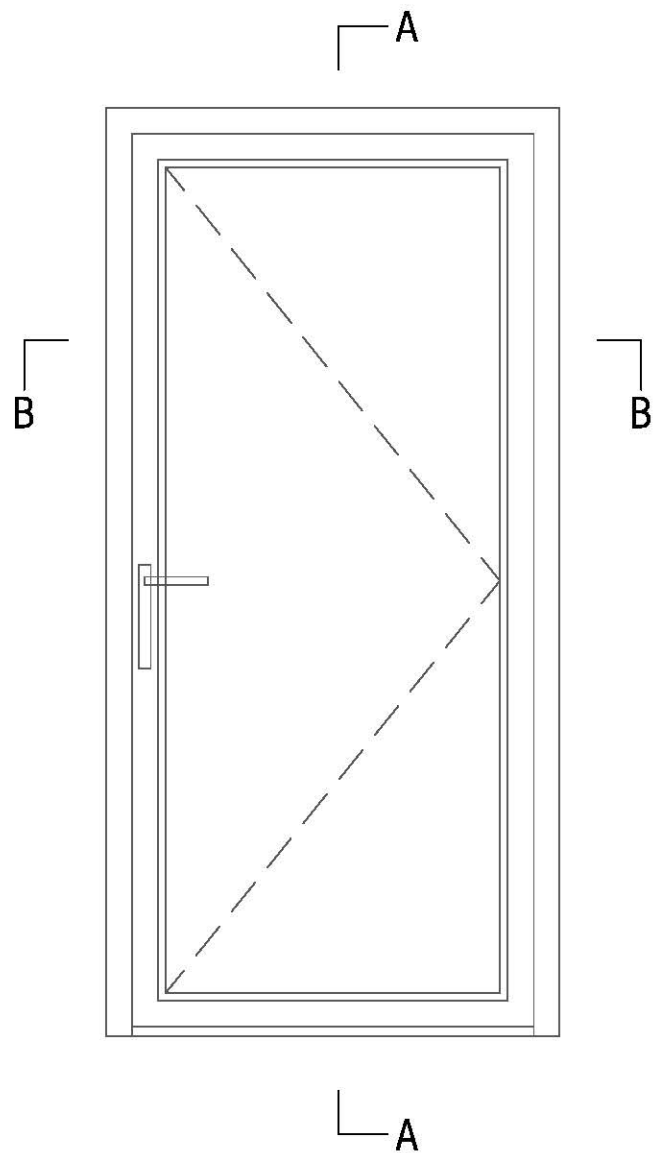
System: 4500 SERIES	
Title: Single Out-Swing Door use EU Frame, Sash T118 and Alu-Threshold	
Date: 03/29/2018	Scale:
Drawing No.: 2002-16-118	SN: Rev.: 1
© 2018 REHAU. Do not disclose without written permission	



Section: B-B



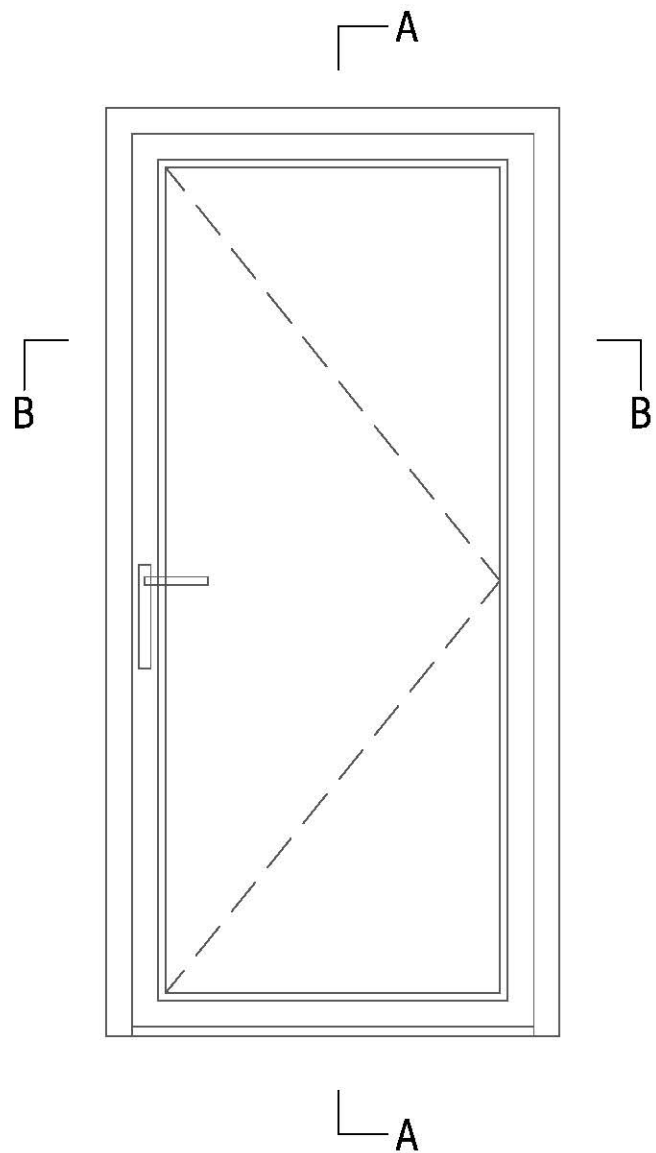
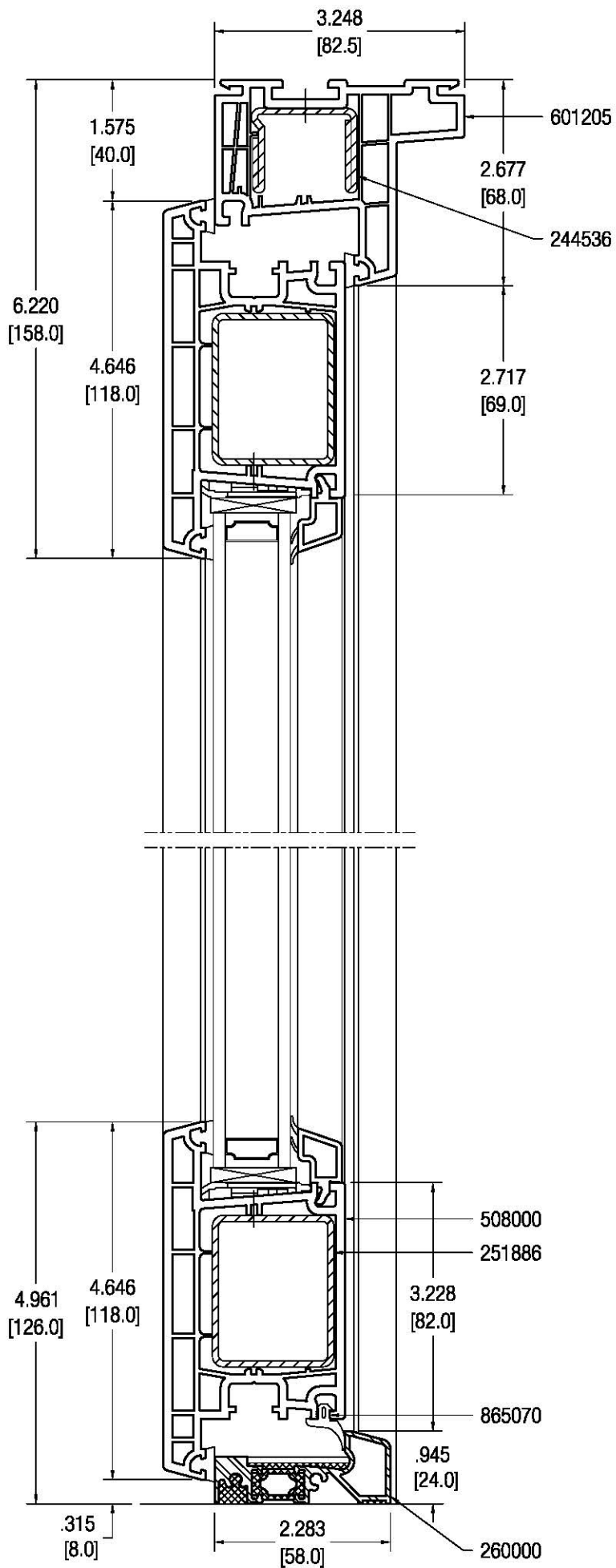
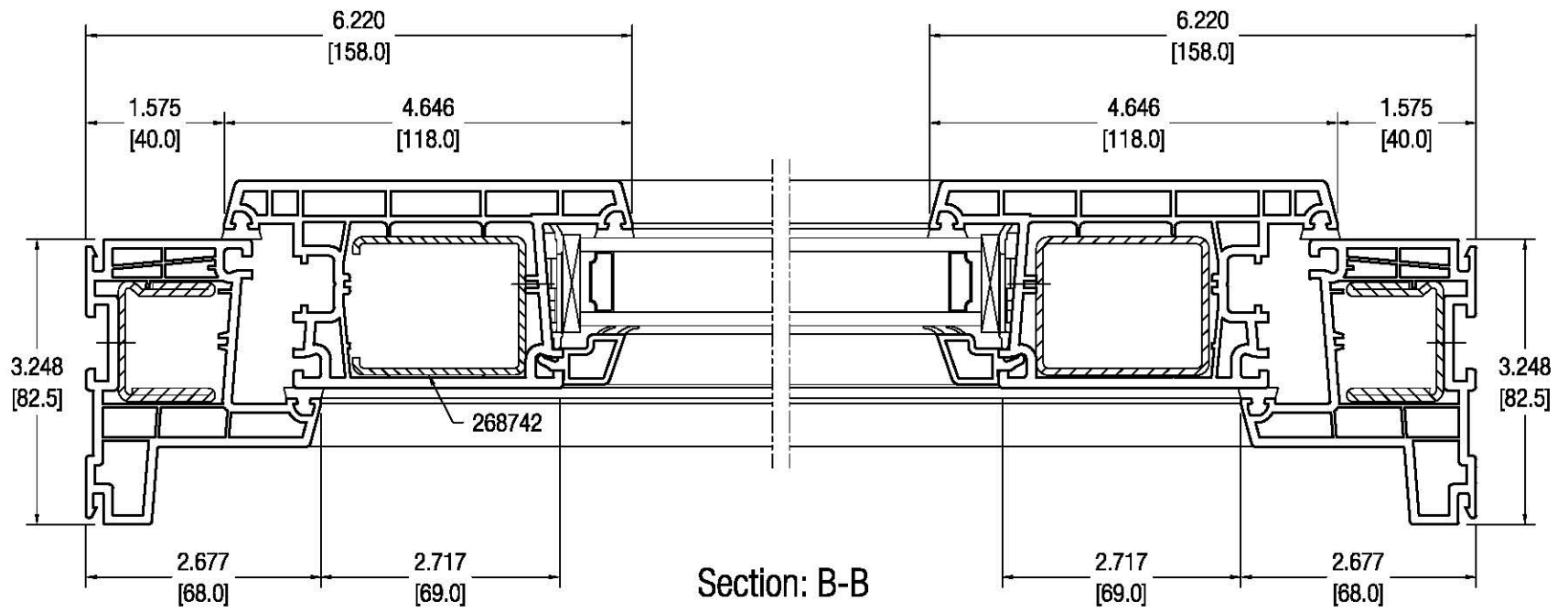
Section: A-A



Rev #	Revision Description & Date
<p>Before using the drawing, the user must determine suitability of the drawing for user's intended use and shall assume all risk and liability in connection therewith. REHAU DISCLAIMS ALL WARRANTIES, EXPRESS OR IMPLIED, INCLUDING BUT NOT LIMITED TO ANY IMPLIED WARRANTIES OF MERCHANTABILITY OR FITNESS FOR A PARTICULAR PURPOSE.</p>	



System: 4500 SERIES	
Title: Single Out-Swing Door use EU Frame Snap on Nail-Fin, Sash T118 and Alu-Threshold	
Date: 03/29/2018	Scale:
Drawn by: FHS	
Drawing No.: 2002-16-119	SN: Rev.: 1
© 2018 REHAU. Do not disclose without written permission	

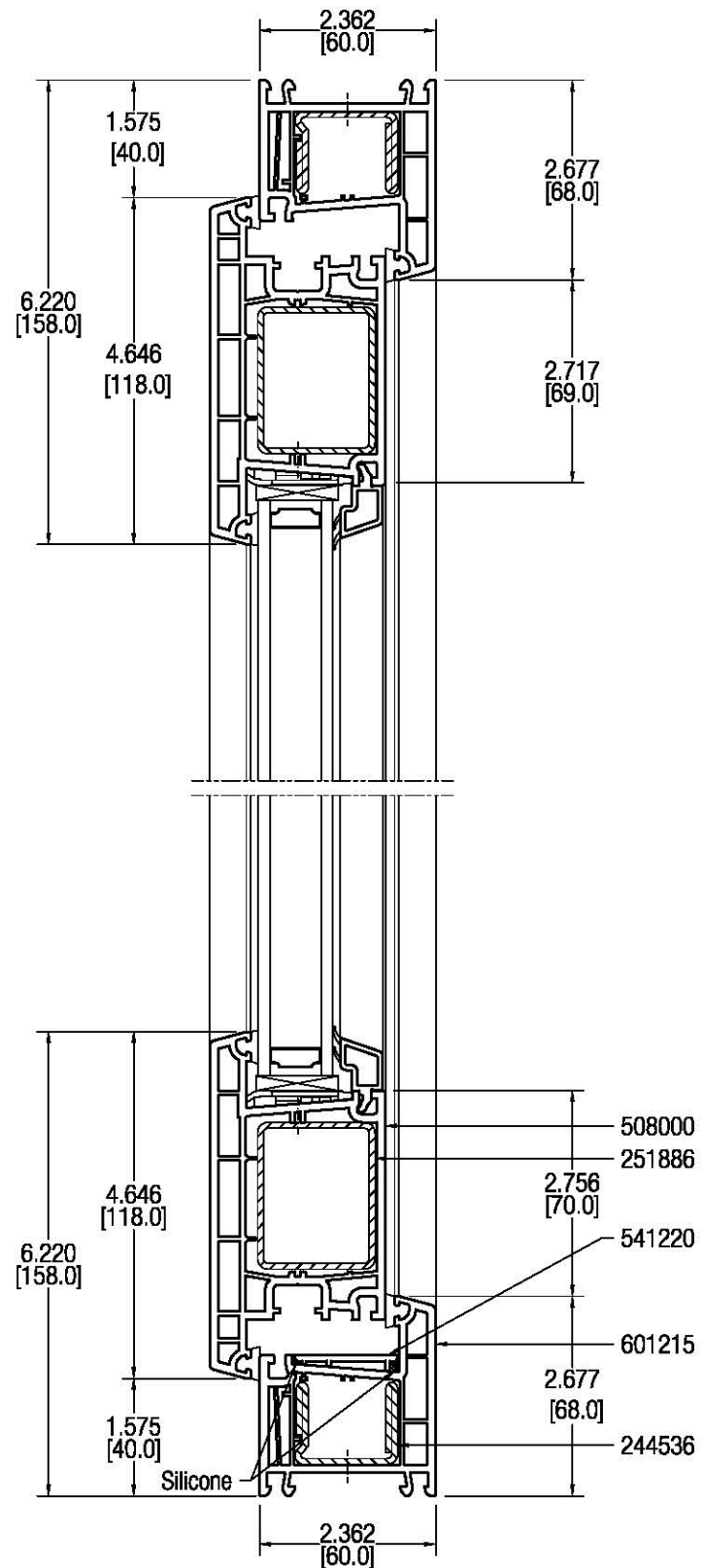


Rev #	Revision Description & Date

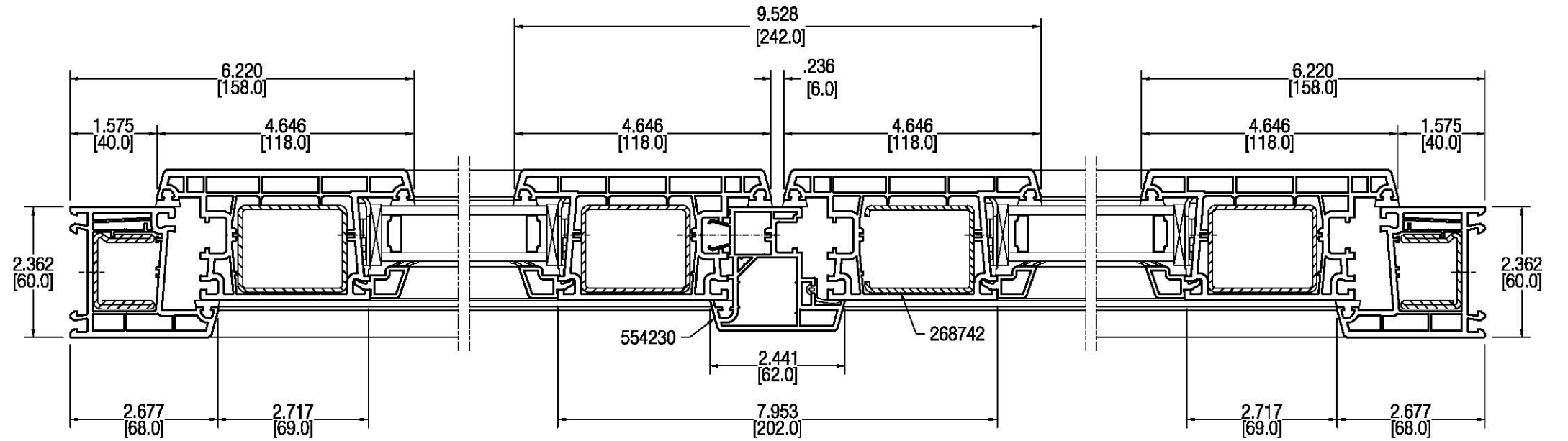
Before using the drawing, the user must determine suitability of the drawing for user's intended use and shall assume all risk and liability in connection therewith. REHAU DISCLAIMS ALL WARRANTIES, EXPRESS OR IMPLIED, INCLUDING BUT NOT LIMITED TO ANY IMPLIED WARRANTIES OF MERCHANTABILITY OR FITNESS FOR A PARTICULAR PURPOSE.



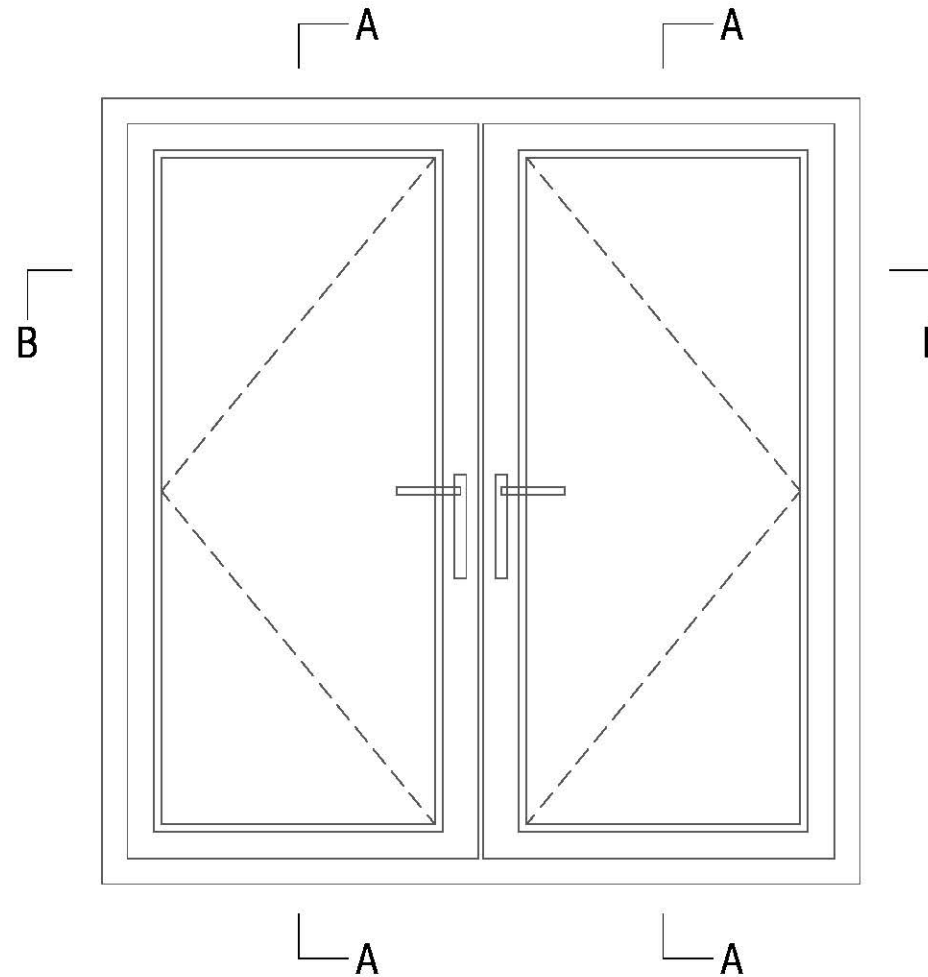
System: 4500 SERIES	
Title: Single Out-Swing Door use NA Frame, Sash T118 and Alu-Threshold	
Date: 03/09/2018	Scale:
Drawing No.: 2002-16-120	SN:
Drawn by: FHS	Rev.: 1
© 2018 REHAU. Do not disclose without written permission	



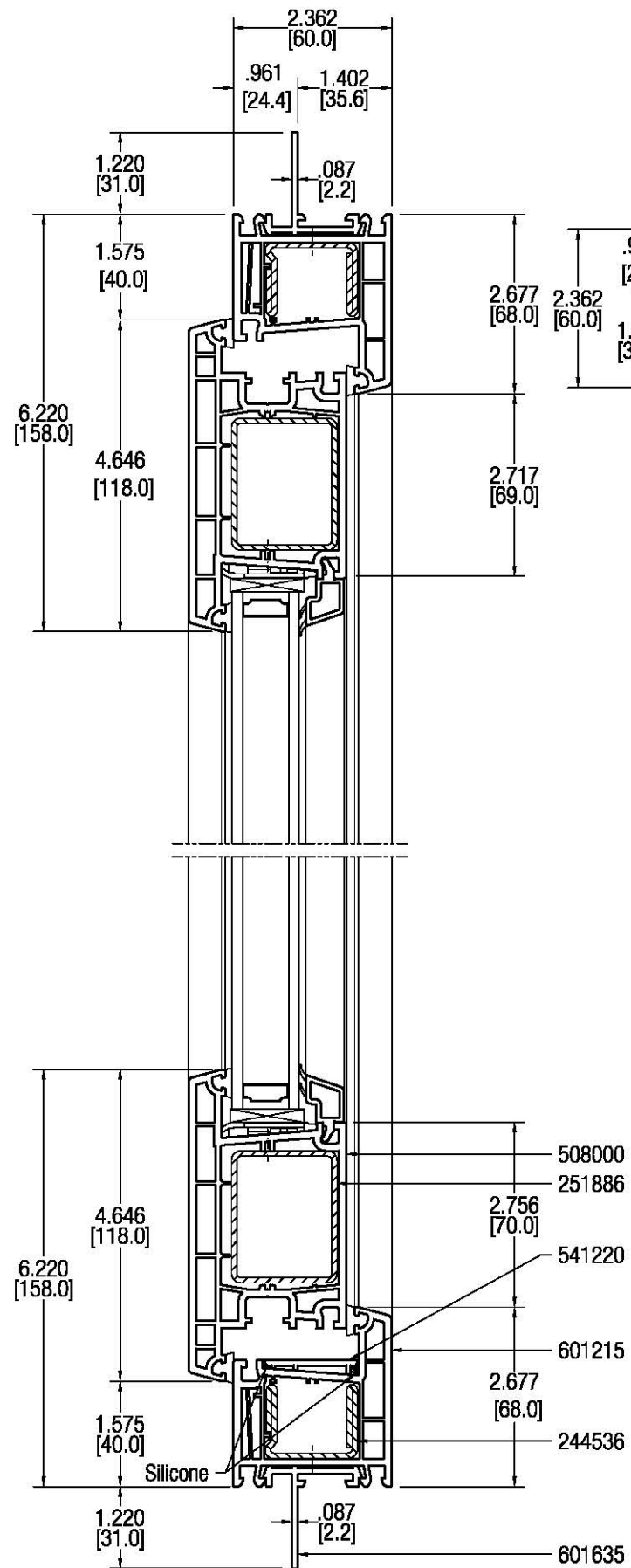
Section: A-A



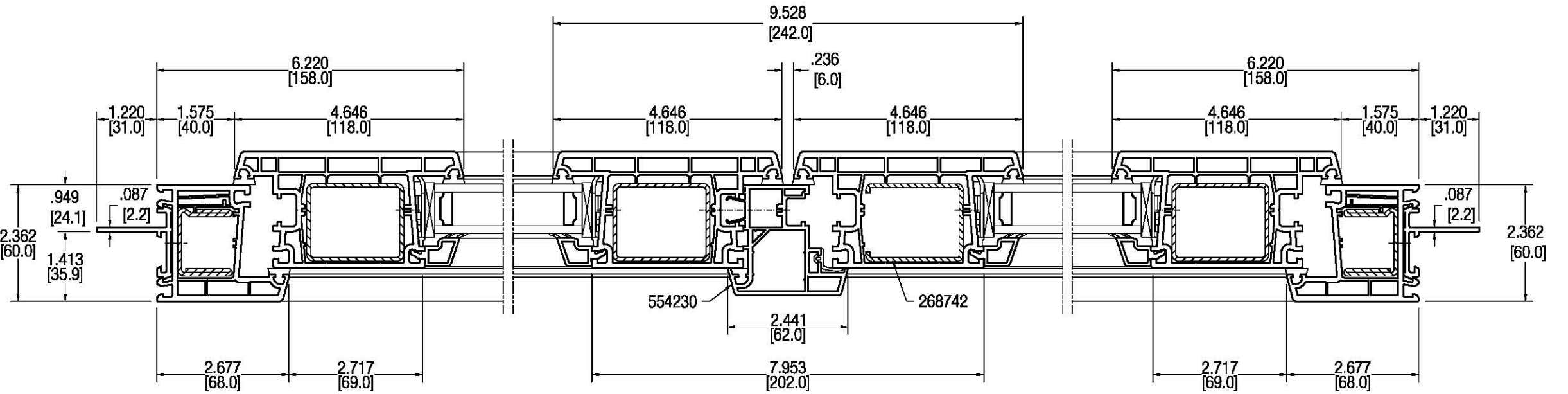
Section: B-B



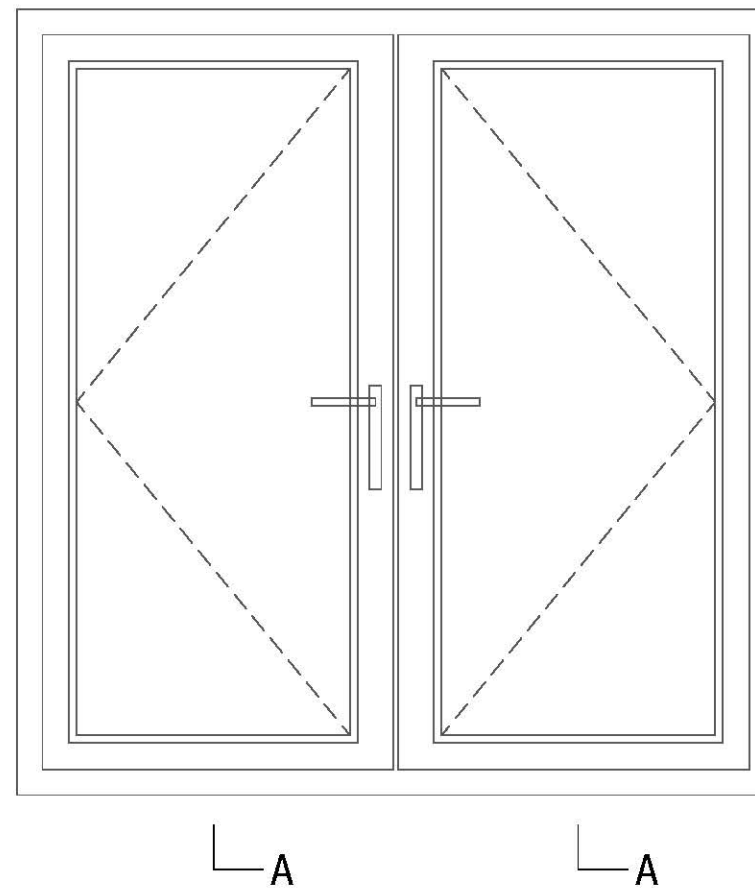
		 WINDOW & DOOR SYSTEMS, LTD. WWW.CRYSTALWINDOWS.COM	System: 4500 SERIES	
			Title: Double Out-Swing Door use EU Frame and Sash T118	
Rev #	Revision Description & Date	Date: 04/02/2018		Scale:
Before using the drawing, the user must determine suitability of the drawing for user's intended use and shall assume all risk and liability in connection therewith. REHAU DISCLAIMS ALL WARRANTIES, EXPRESS OR IMPLIED, INCLUDING BUT NOT LIMITED TO ANY IMPLIED WARRANTIES OF MERCHANTABILITY OR FITNESS FOR A PARTICULAR PURPOSE.		Drawing No.: 2002-16-158		Drawn by: FHS
		© 2018 REHAU. Do not disclose without written permission		SN: Rev.: 1



Section: A-A



Section: B-B

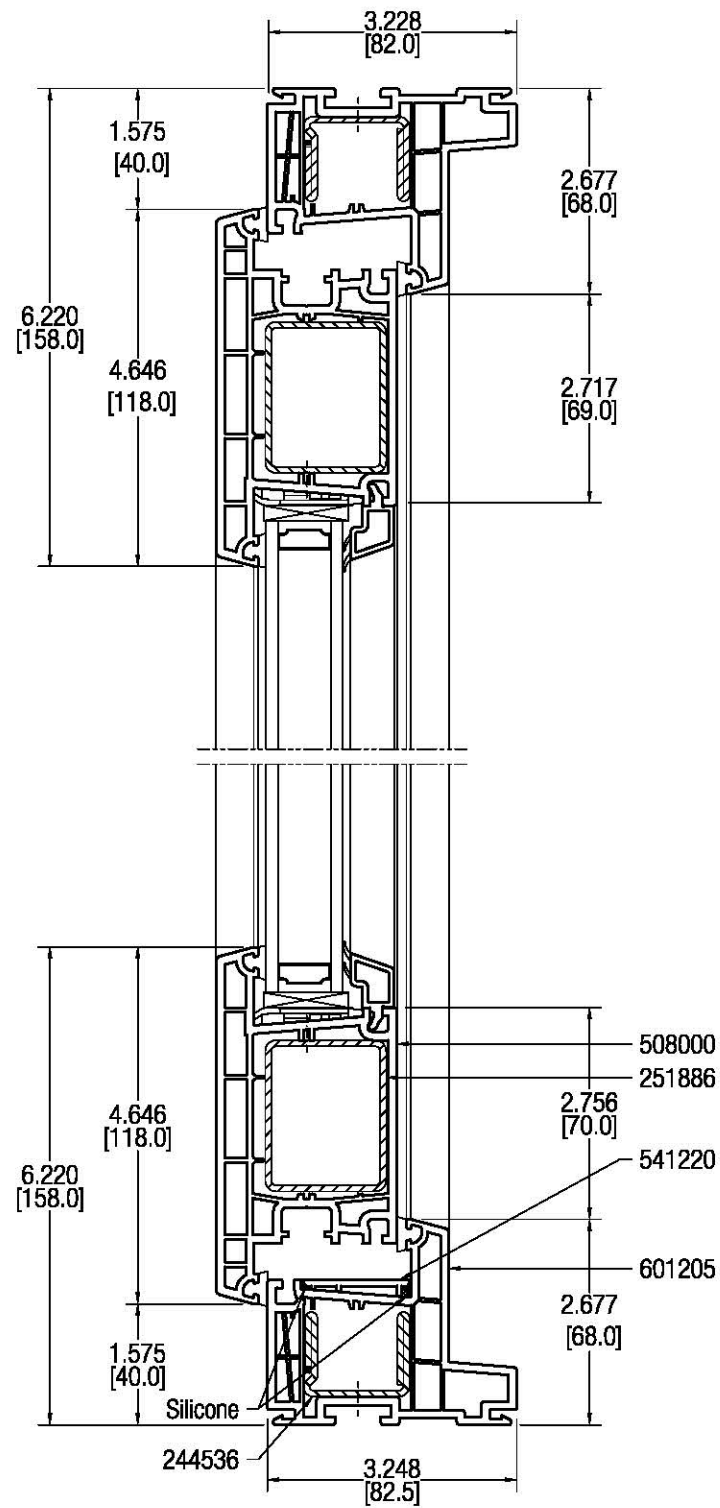


Rev #	Revision Description & Date

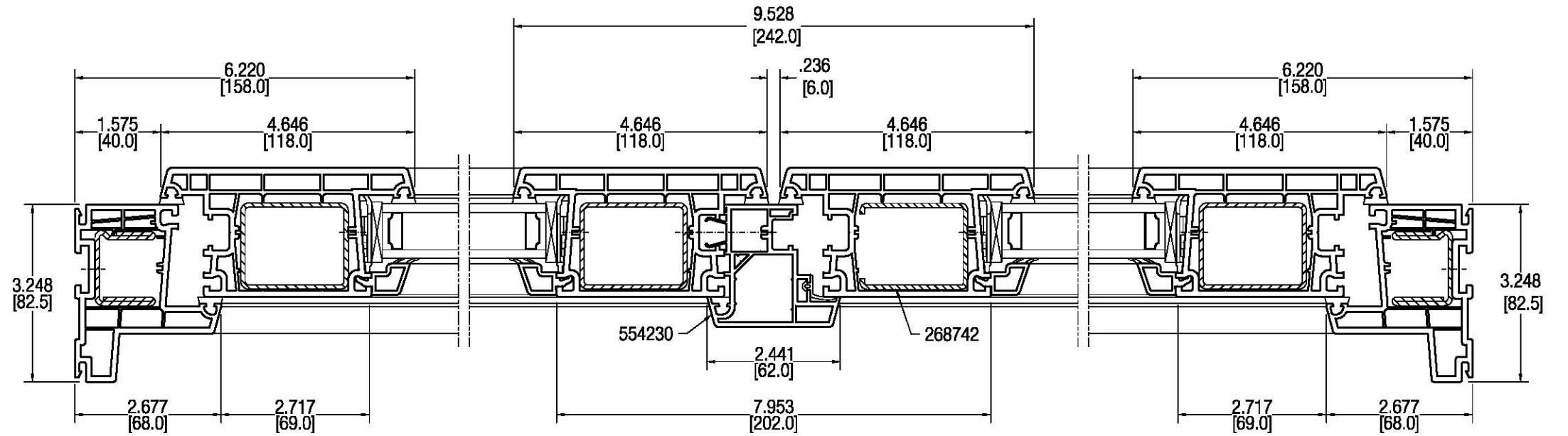
Before using the drawing, the user must determine suitability of the drawing for user's intended use and shall assume all risk and liability in connection therewith. REHAU DISCLAIMS ALL WARRANTIES, EXPRESS OR IMPLIED, INCLUDING BUT NOT LIMITED TO ANY IMPLIED WARRANTIES OF MERCHANTABILITY OR FITNESS FOR A PARTICULAR PURPOSE.



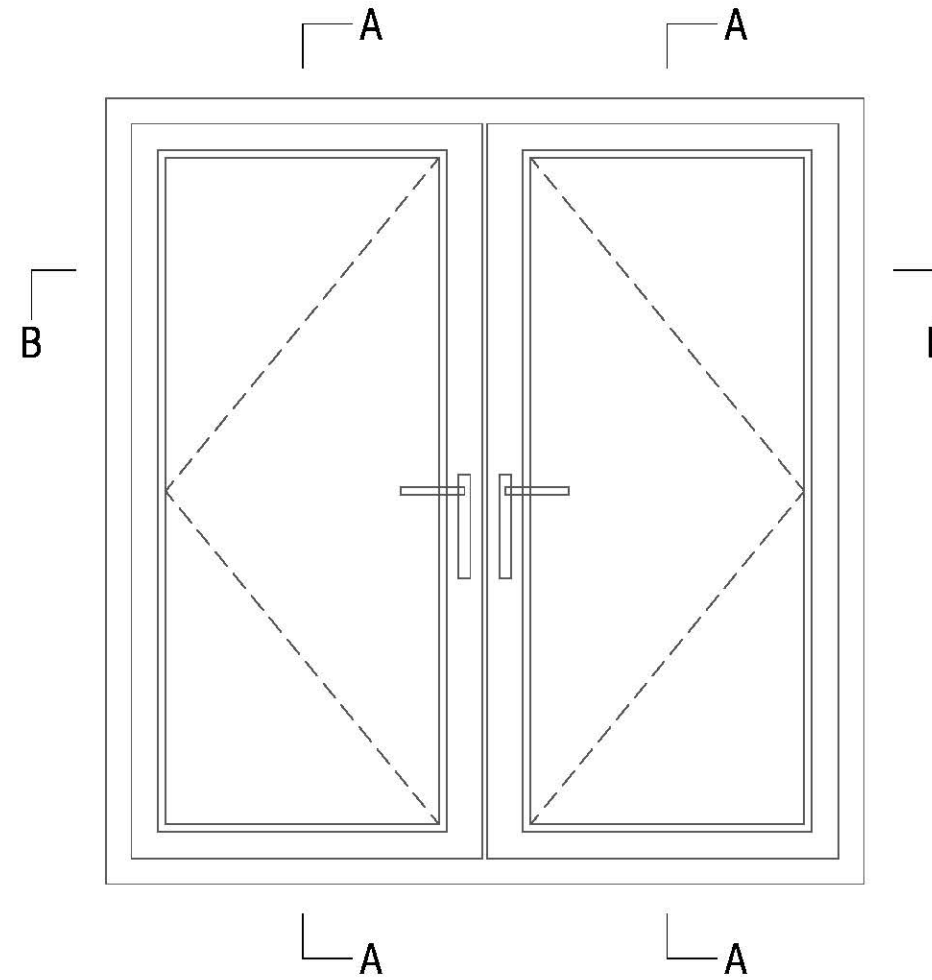
System: 4500 SERIES
 Title: Double Out-Swing Door use EU Frame
 Snap on Nail-Fin and Sash T118
 Date: 04/02/2018 Scale: Drawn by: FHS
 Drawing No.: 2002-16-159 SN: Rev.: 1
 © 2018 REHAU. Do not disclose without written permission



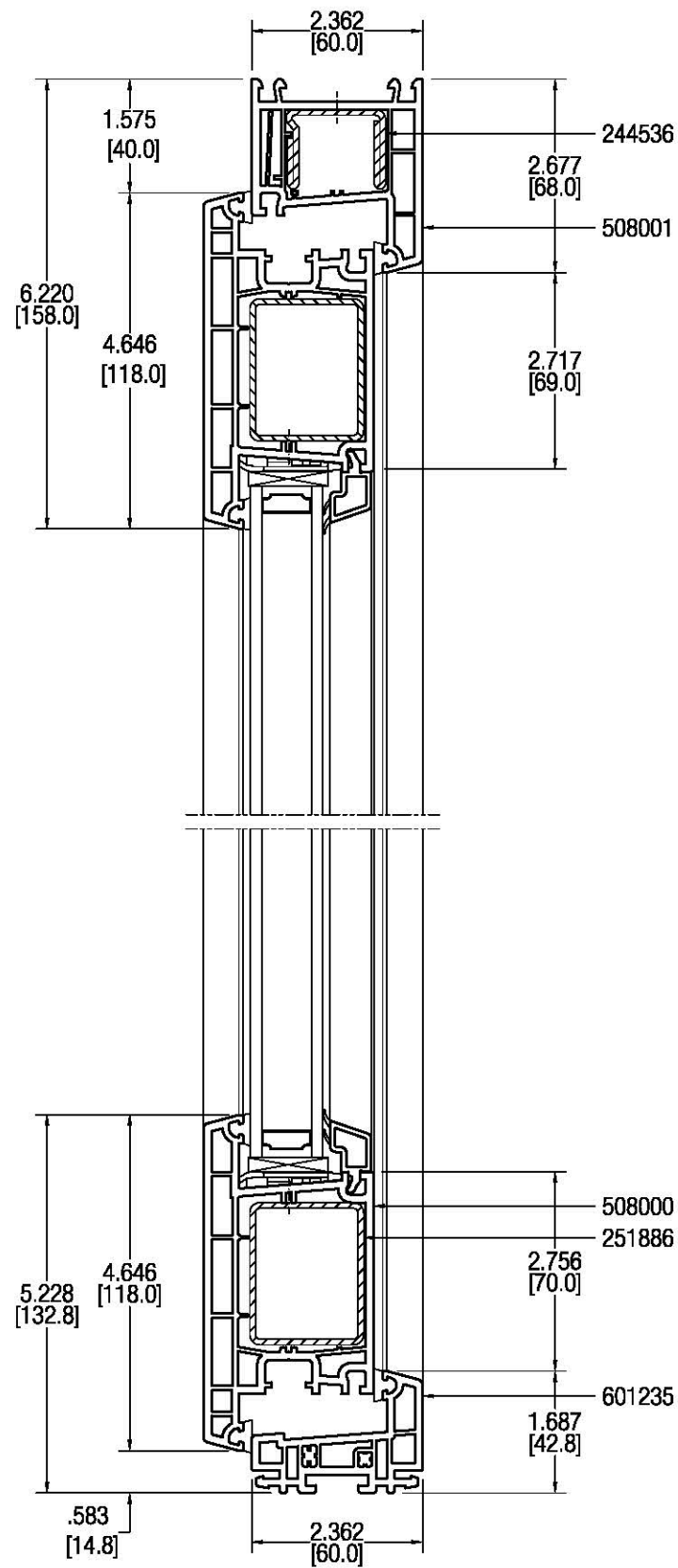
Section: A-A



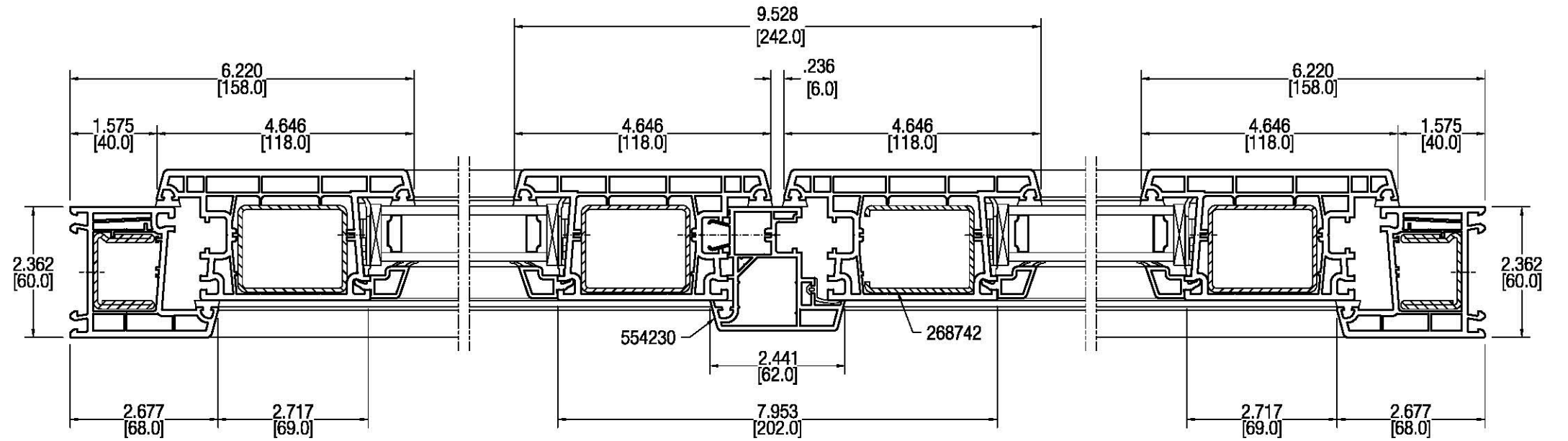
Section: B-B



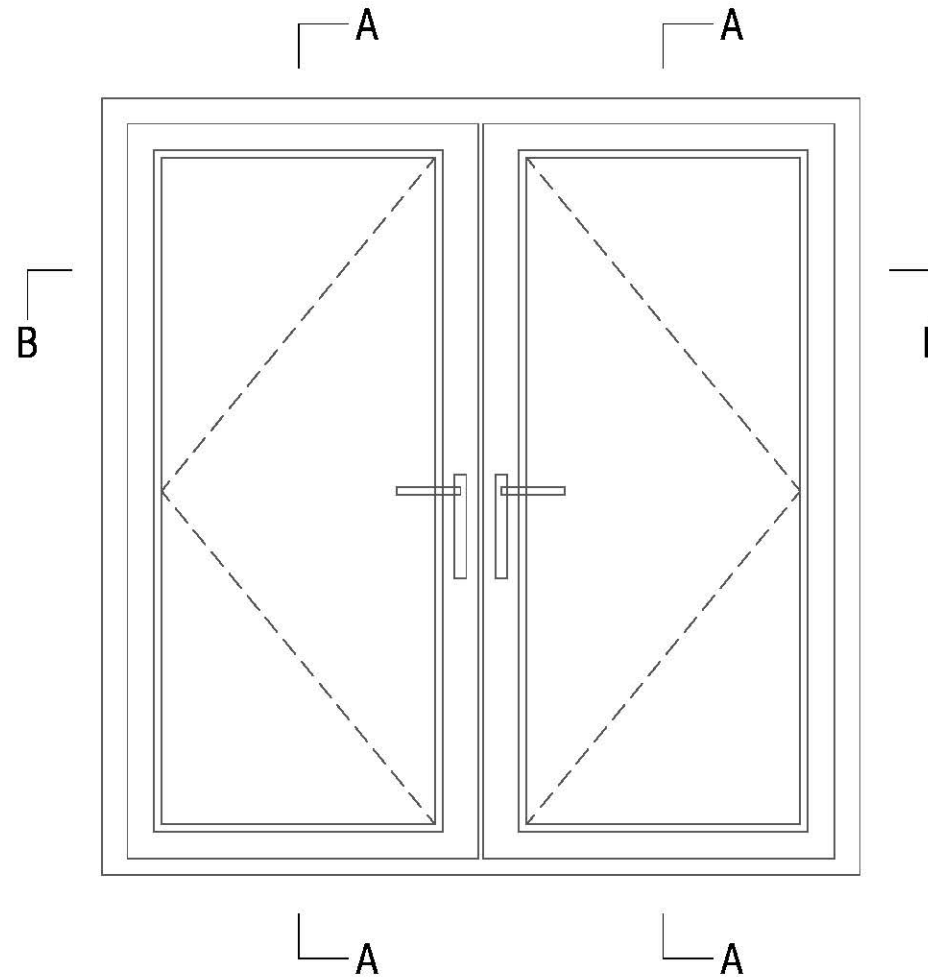
		 <small>WINDOW & DOOR SYSTEMS, LTD.</small> <small>WWW.CRYSTALWINDOWS.COM</small>	System: 4500 SERIES	
			Title: Double Out-Swing Door use NA Frame and Sash T118	
Rev #	Revision Description & Date	Date: 04/02/2018		Scale:
<small>Before using the drawing, the user must determine suitability of the drawing for user's intended use and shall assume all risk and liability in connection therewith. REHAU DISCLAIMS ALL WARRANTIES, EXPRESS OR IMPLIED, INCLUDING BUT NOT LIMITED TO ANY IMPLIED WARRANTIES OF MERCHANTABILITY OR FITNESS FOR A PARTICULAR PURPOSE.</small>		Drawing No.: 2002-16-160		Drawn by: FHS
		© 2018 REHAU. Do not disclose without written permission		SN: Rev.: 1



Section: A-A



Section: B-B

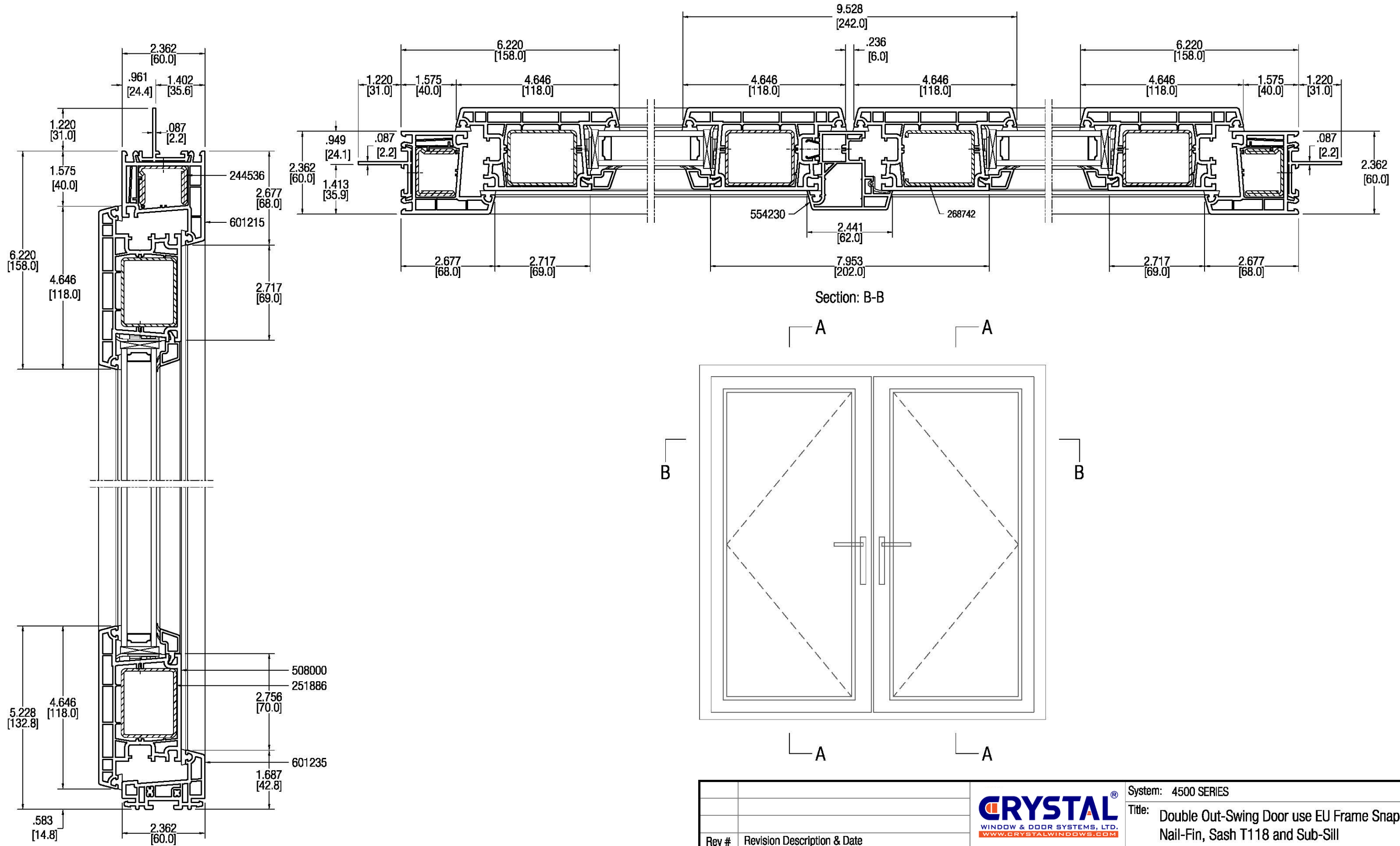


Rev #	Revision Description & Date

Before using the drawing, the user must determine suitability of the drawing for user's intended use and shall assume all risk and liability in connection therewith. REHAU DISCLAIMS ALL WARRANTIES, EXPRESS OR IMPLIED, INCLUDING BUT NOT LIMITED TO ANY IMPLIED WARRANTIES OF MERCHANTABILITY OR FITNESS FOR A PARTICULAR PURPOSE.



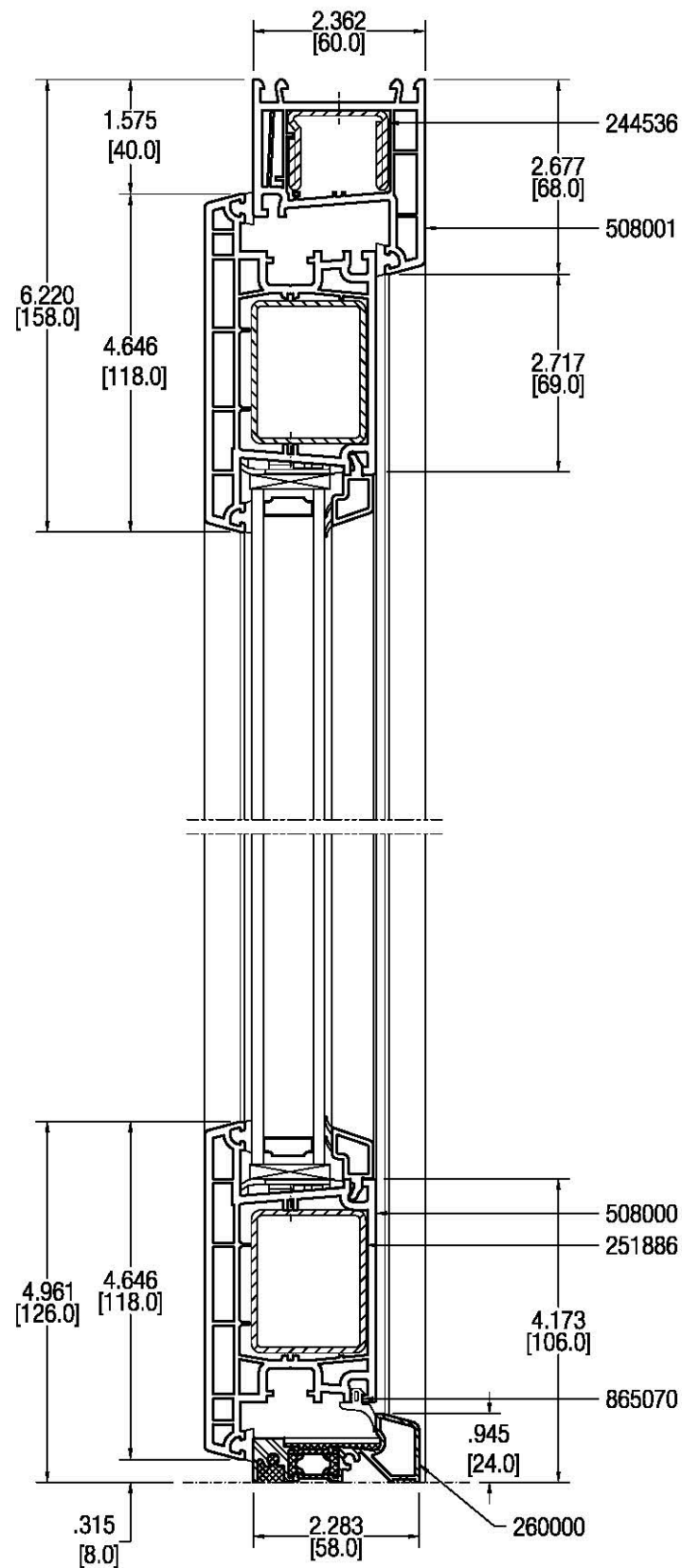
System: 4500 SERIES
 Title: Double Out-Swing Door use EU Frame, Sash T118 and Sub-Sill
 Date: 04/02/2018 Scale: Drawn by: FHS
 Drawing No.: 2002-16-162 SN: Rev.: 1
 © 2018 REHAU. Do not disclose without written permission



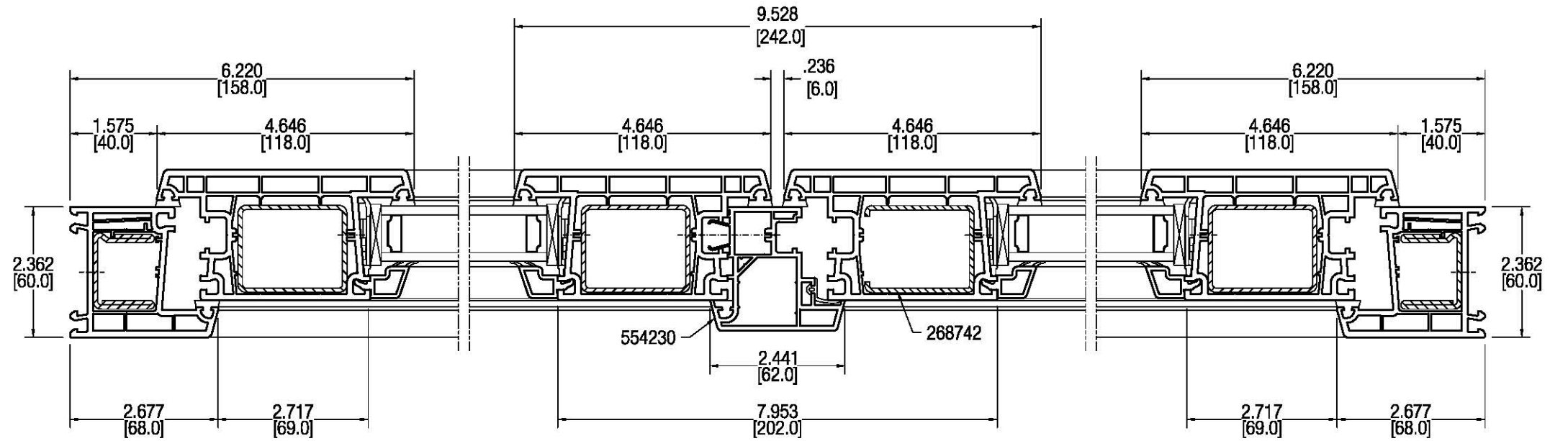
Section: A-A

Section: B-B

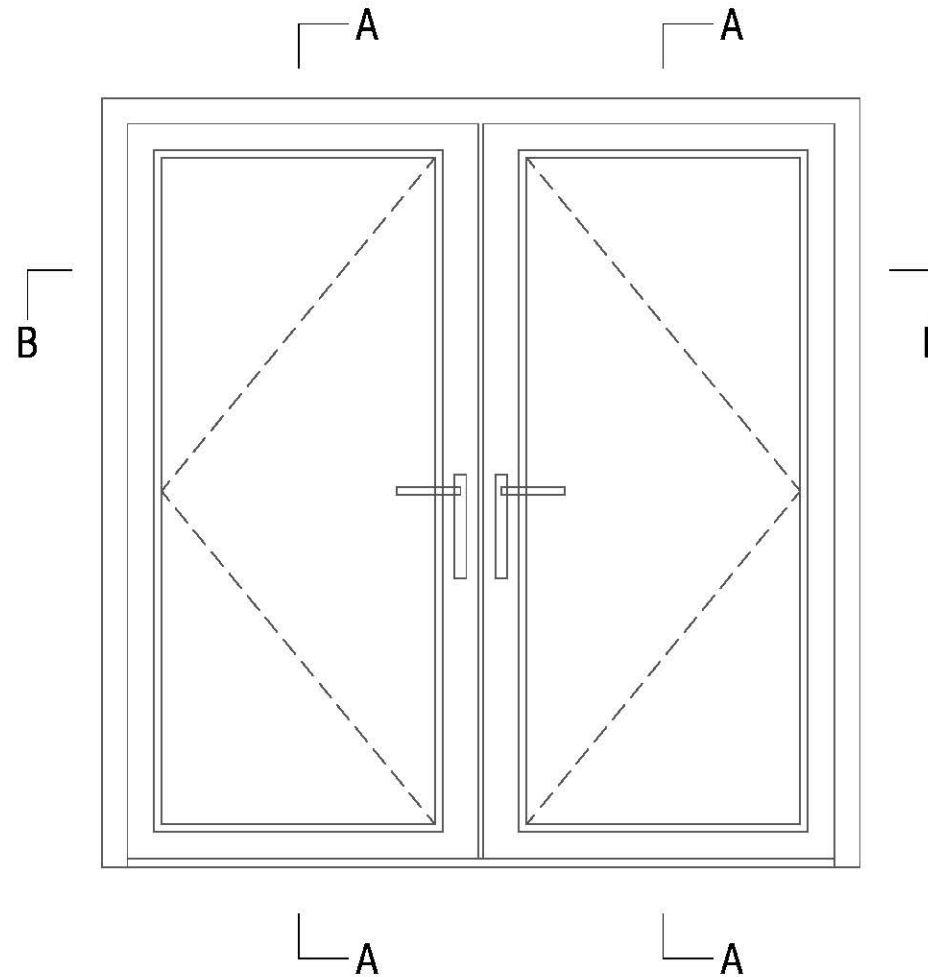
		 WINDOW & DOOR SYSTEMS, LTD. WWW.CRYSTALWINDOWS.COM	System: 4500 SERIES	
			Title: Double Out-Swing Door use EU Frame Snap on Nail-Fin, Sash T118 and Sub-Sill	
Rev #	Revision Description & Date	Date: 04/02/2018	Scale:	Drawn by: FHS
Before using the drawing, the user must determine suitability of the drawing for user's intended use and shall assume all risk and liability in connection therewith. REHAU DISCLAIMS ALL WARRANTIES, EXPRESS OR IMPLIED, INCLUDING BUT NOT LIMITED TO ANY IMPLIED WARRANTIES OF MERCHANTABILITY OR FITNESS FOR A PARTICULAR PURPOSE.		Drawing No.: 2002-16-163	SN:	Rev.: 1
		© 2018 REHAU. Do not disclose without written permission		



Section: A-A



Section: B-B

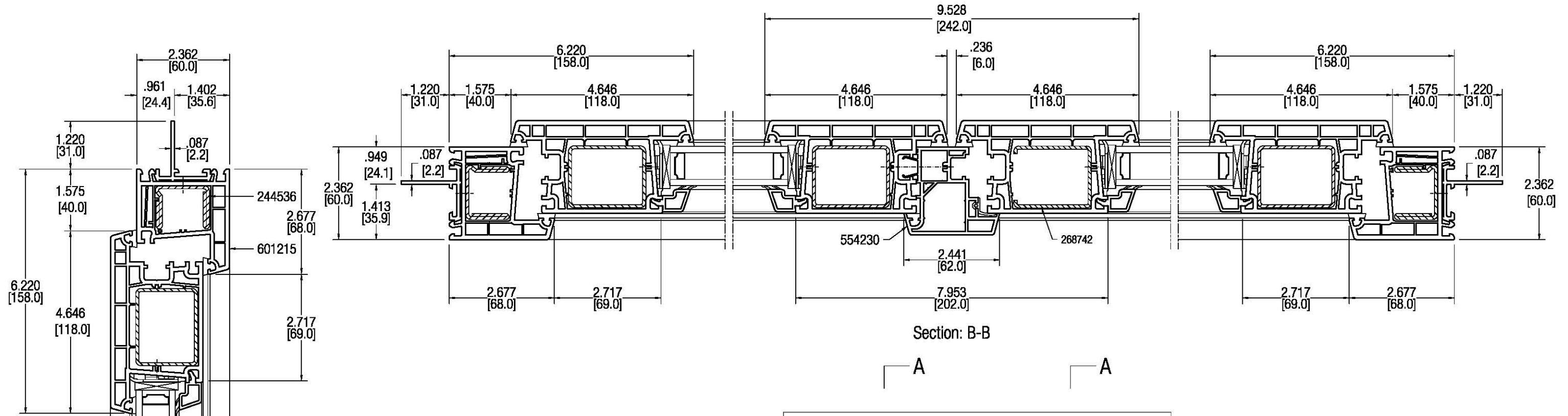


Rev #	Revision Description & Date

Before using the drawing, the user must determine suitability of the drawing for user's intended use and shall assume all risk and liability in connection therewith. REHAU DISCLAIMS ALL WARRANTIES, EXPRESS OR IMPLIED, INCLUDING BUT NOT LIMITED TO ANY IMPLIED WARRANTIES OF MERCHANTABILITY OR FITNESS FOR A PARTICULAR PURPOSE.

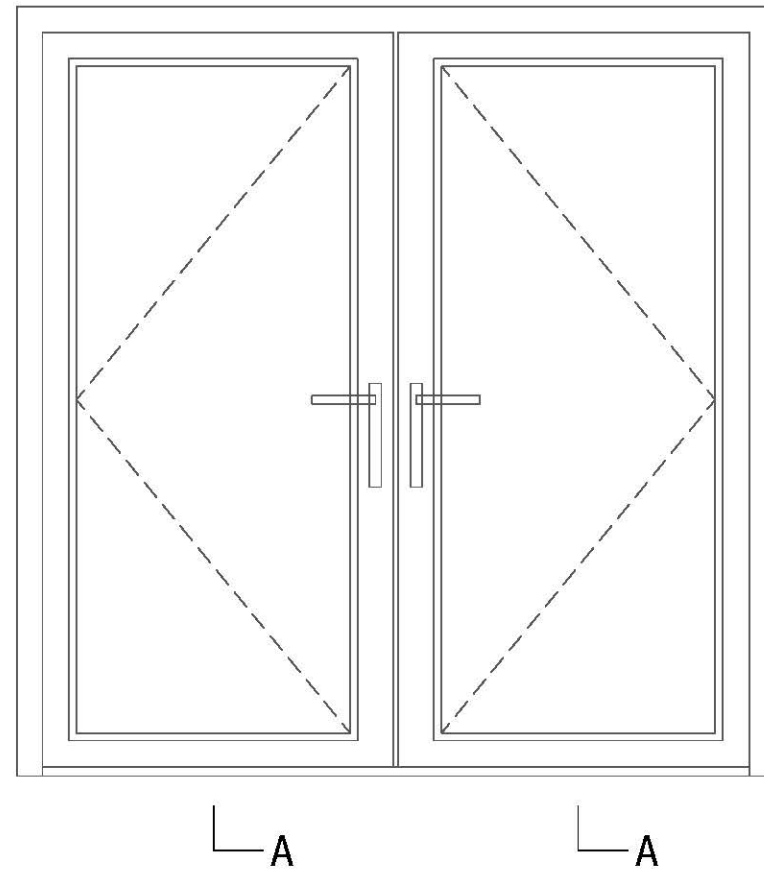


System: 4500 SERIES
 Title: Double Out-Swing Door use EU Frame, Sash T118 and Alu-Threshold
 Date: 04/02/2018 Scale: Drawn by: FHS
 Drawing No.: 2002-16-166 SN: Rev.: 1
 © 2018 REHAU. Do not disclose without written permission



Section: A-A

Section: B-B

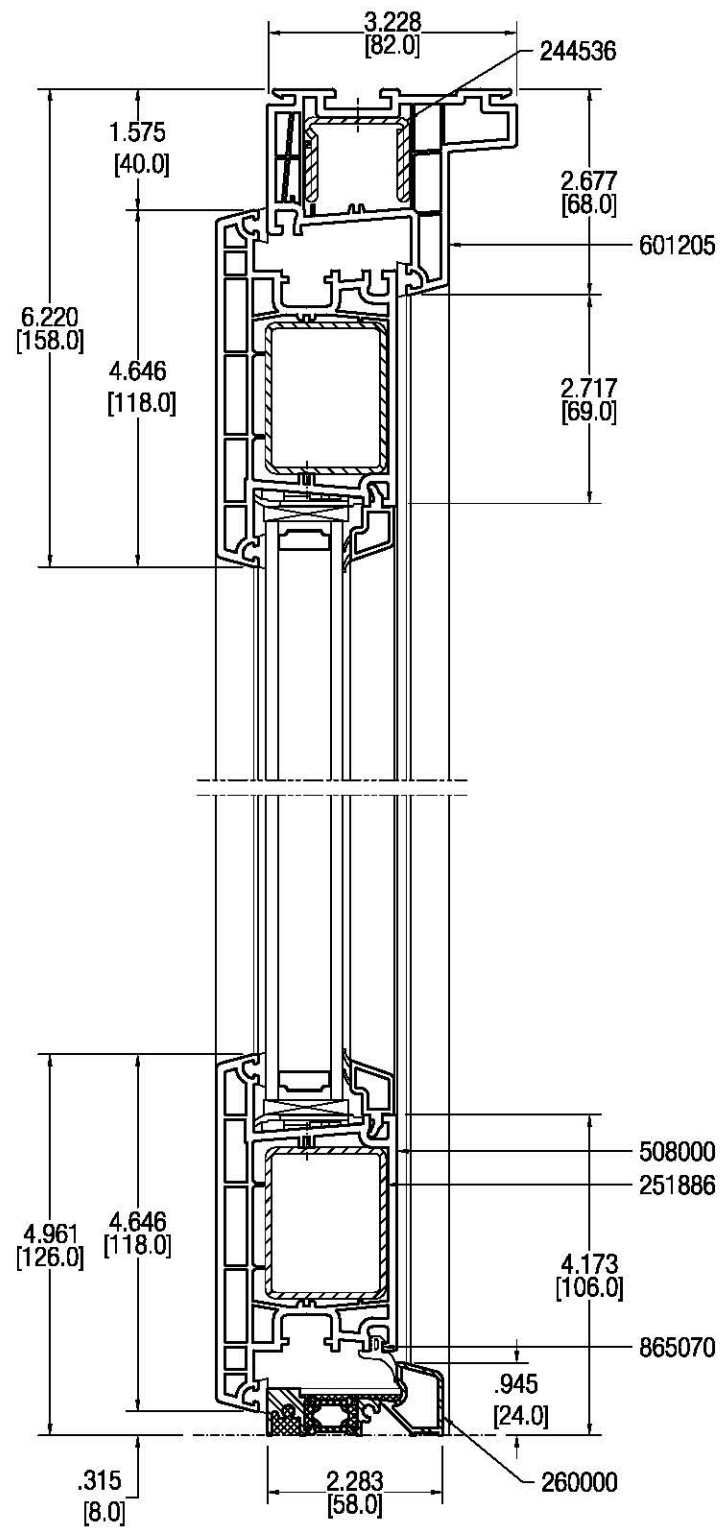


Rev #	Revision Description & Date

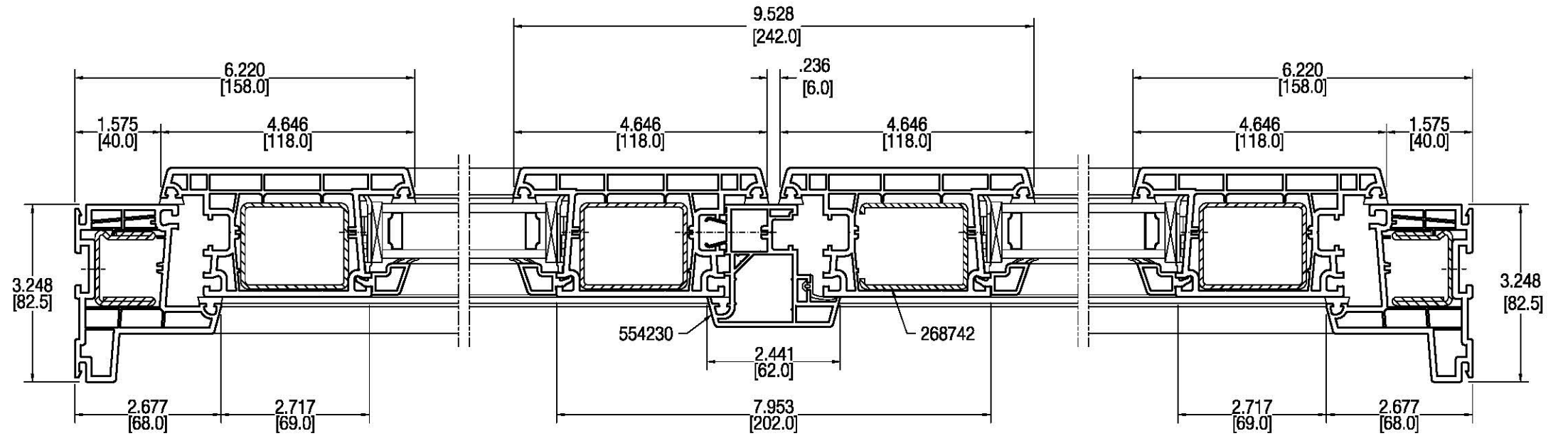
Before using the drawing, the user must determine suitability of the drawing for user's intended use and shall assume all risk and liability in connection therewith. REHAU DISCLAIMS ALL WARRANTIES, EXPRESS OR IMPLIED, INCLUDING BUT NOT LIMITED TO ANY IMPLIED WARRANTIES OF MERCHANTABILITY OR FITNESS FOR A PARTICULAR PURPOSE.



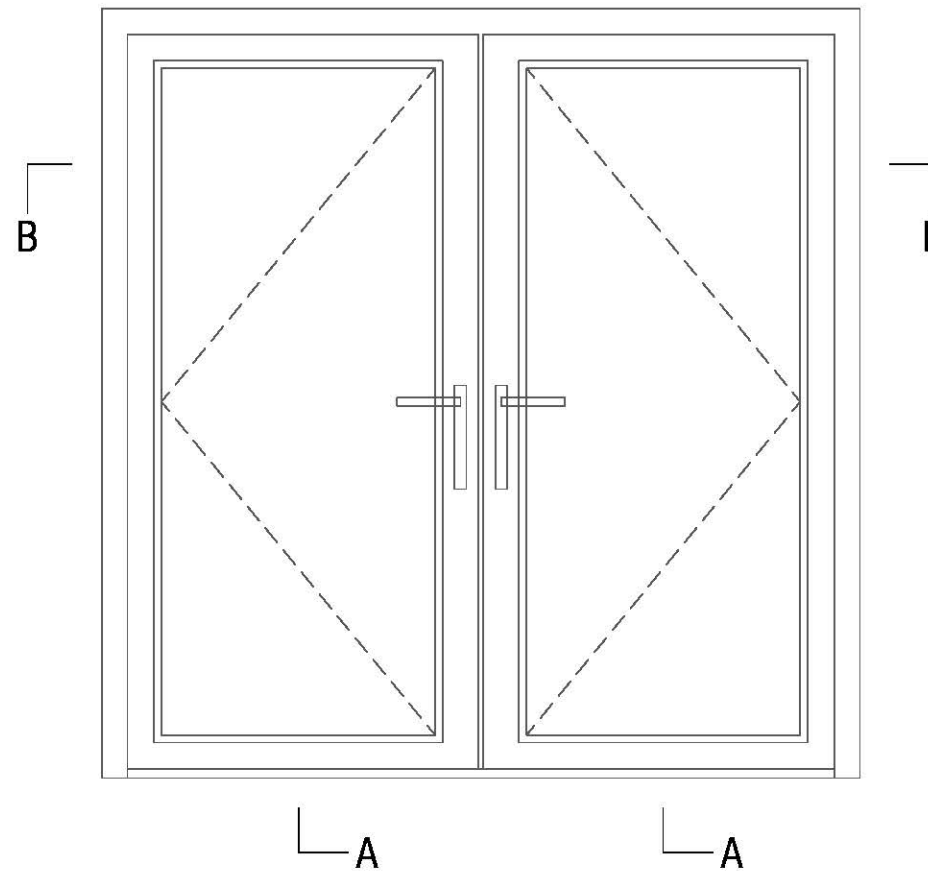
System: 4500 SERIES
 Title: Double Out-Swing Door use EU Frame Snap on Nail-Fin, Sash T118 and Alu-Threshold
 Date: 04/02/2018 Scale: Drawn by: FHS
 Drawing No.: 2002-16-167 SN: Rev.: 1
 © 2018 REHAU. Do not disclose without written permission



Section: A-A



Section: B-B

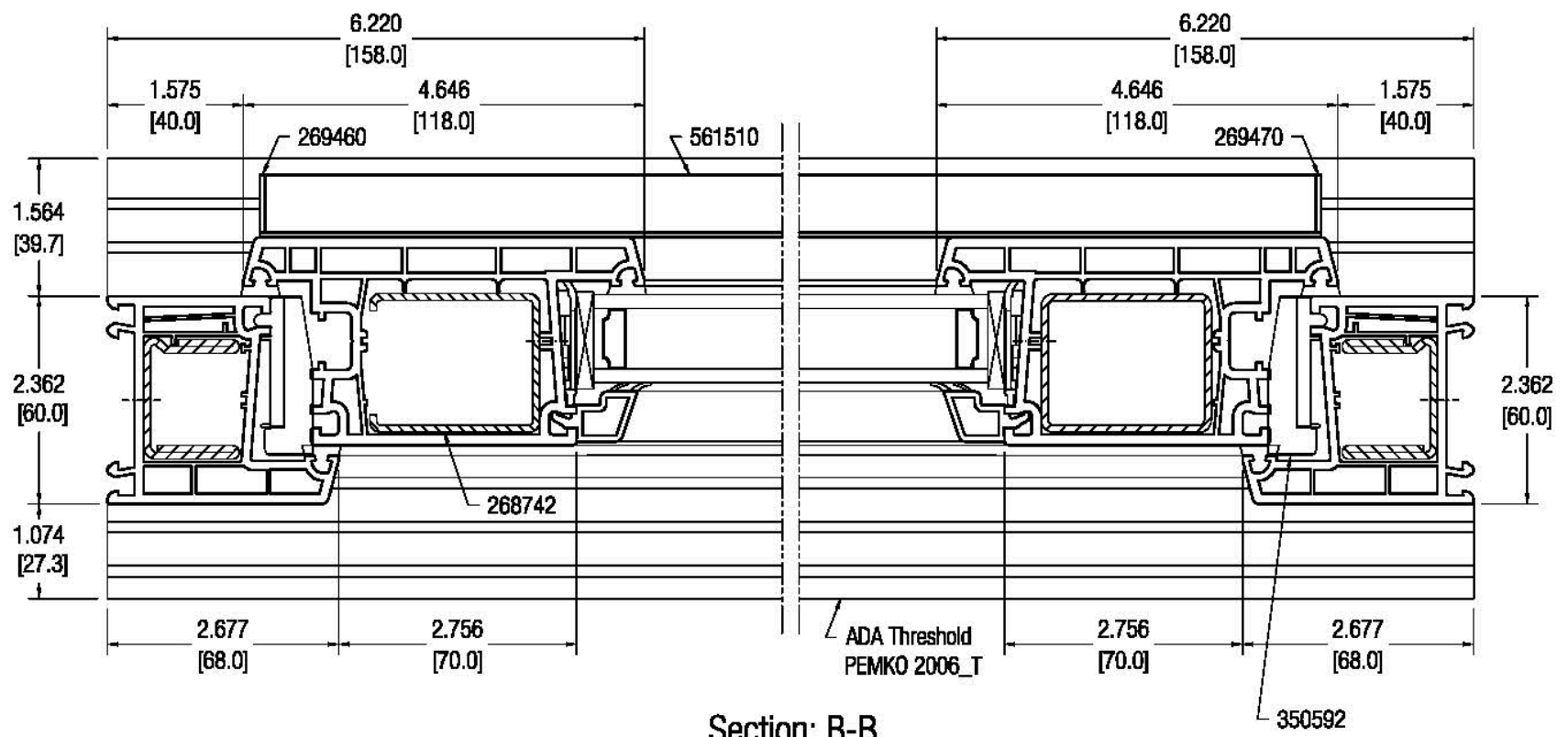


Rev #	Revision Description & Date

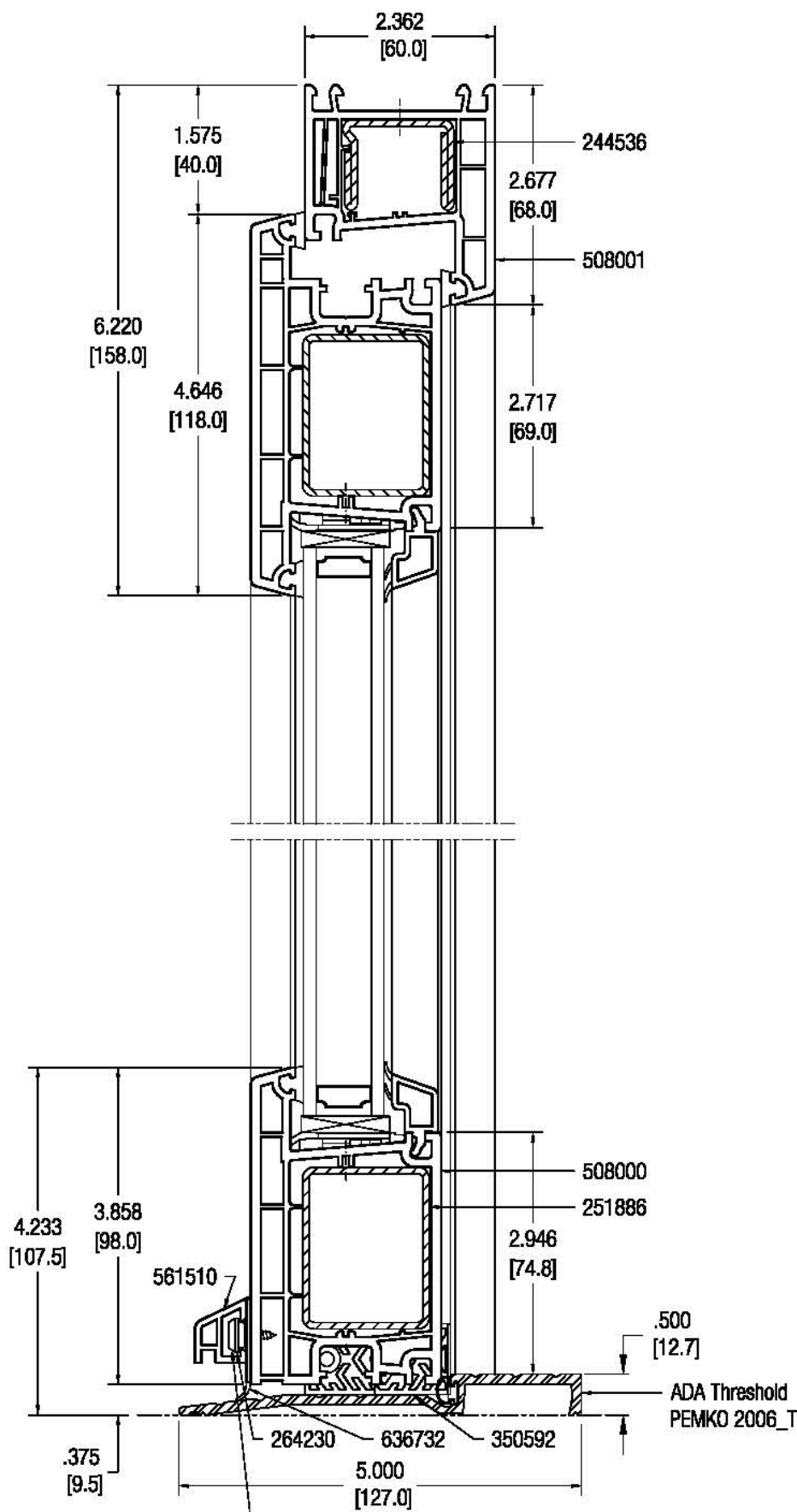
Before using the drawing, the user must determine suitability of the drawing for user's intended use and shall assume all risk and liability in connection therewith. REHAU DISCLAIMS ALL WARRANTIES, EXPRESS OR IMPLIED, INCLUDING BUT NOT LIMITED TO ANY IMPLIED WARRANTIES OF MERCHANTABILITY OR FITNESS FOR A PARTICULAR PURPOSE.



System: 4500 SERIES
 Title: Double Out-Swing Door use NA Frame, Sash T118 and Alu-Threshold
 Date: 04/02/2018 Scale: Drawn by: FHS
 Drawing No.: 2002-16-168 SN: Rev.: 1
 © 2018 REHAU. Do not disclose without written permission

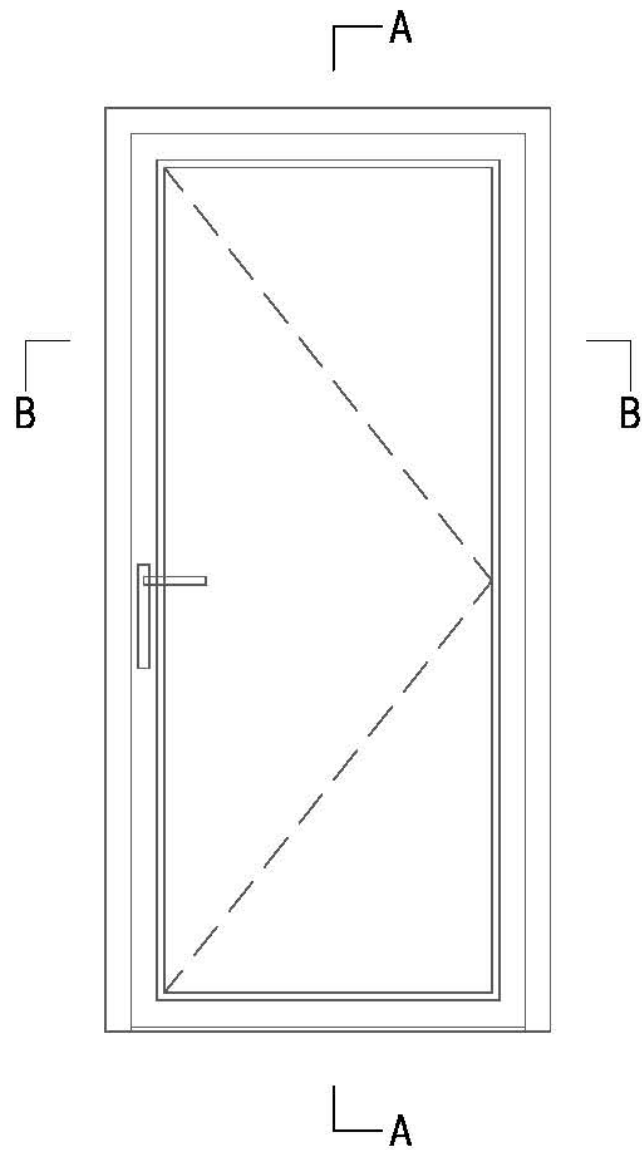


Section: B-B



Section: A-A

Fasten Screw-in Retainer to profile with #4 flat-head screws, 2 in (50 mm) from each end and every 8 in (200 mm) maximum spacing.



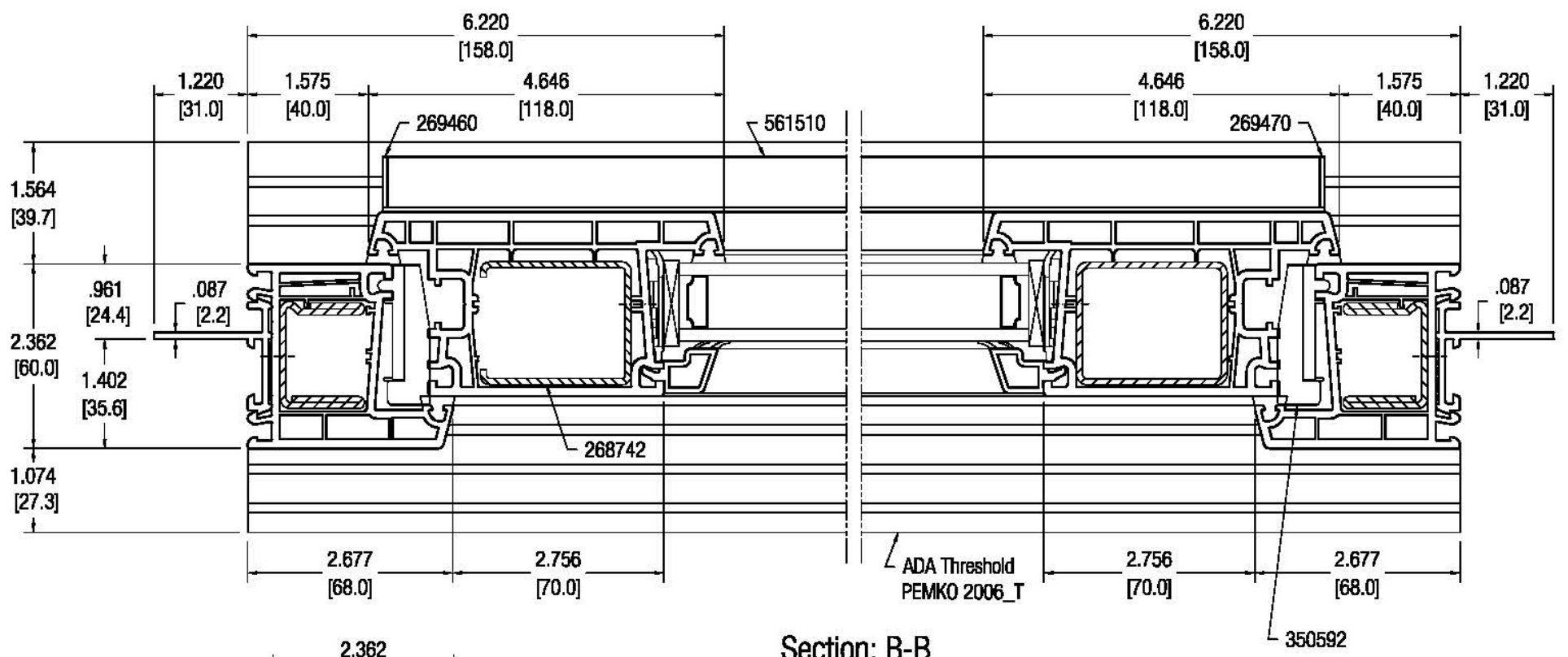
Axis position of hinge must be confirmed before processing. It will affect the egress size.

Rev #	Revision Description & Date

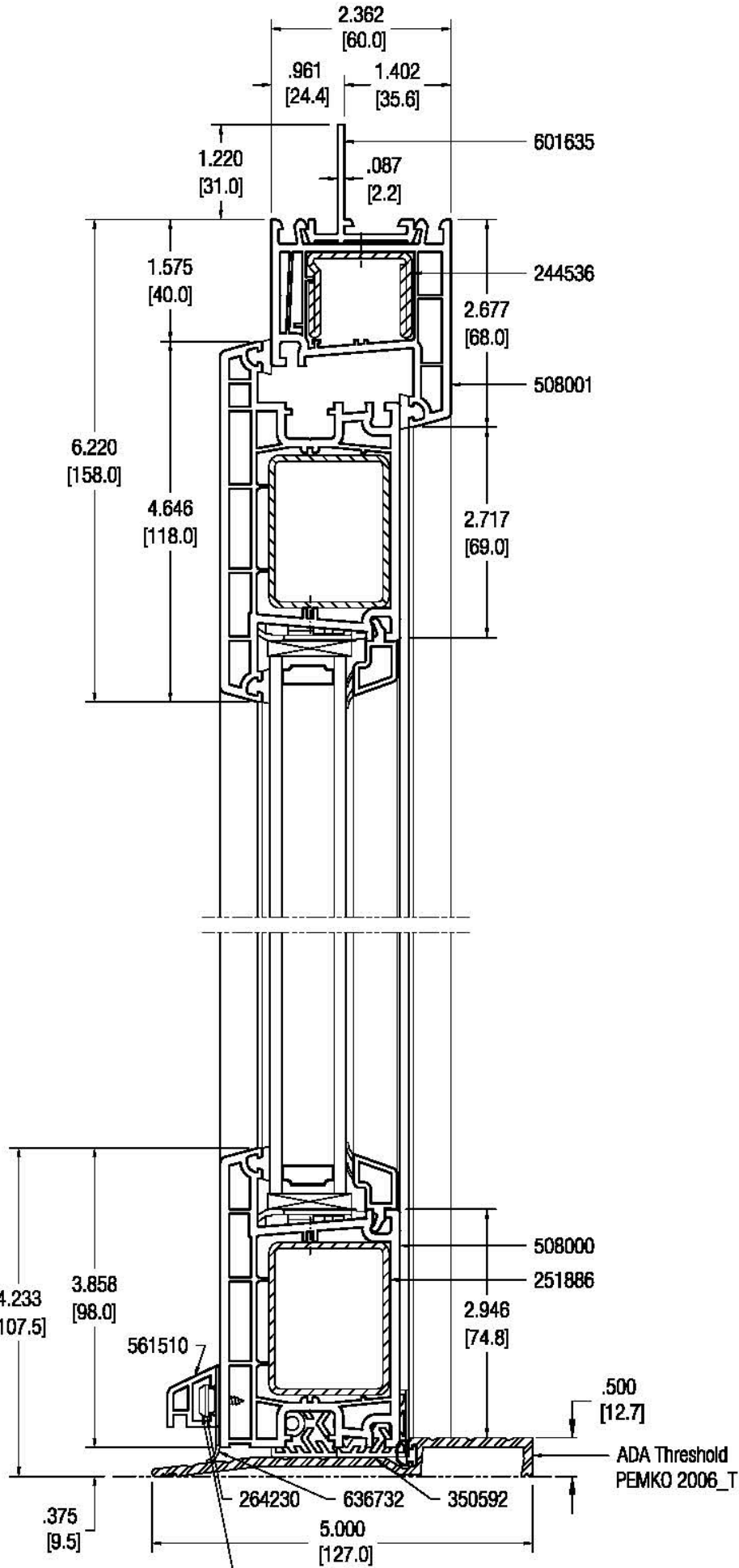
Before using the drawing, the user must determine suitability of the drawing for user's intended use and shall assume all risk and liability in connection therewith. REHAU DISCLAIMS ALL WARRANTIES, EXPRESS OR IMPLIED, INCLUDING BUT NOT LIMITED TO ANY IMPLIED WARRANTIES OF MERCHANTABILITY OR FITNESS FOR A PARTICULAR PURPOSE.



System: 4500 SERIES	
Title: Single Out-Swing Door use EU Frame, Sash T118 and ADA-Threshold	
Date: 03/28/2018	Scale:
Drawing No.: 2002-16-198	SN:
© 2018 REHAU. Do not disclose without written permission	Rev.: 1

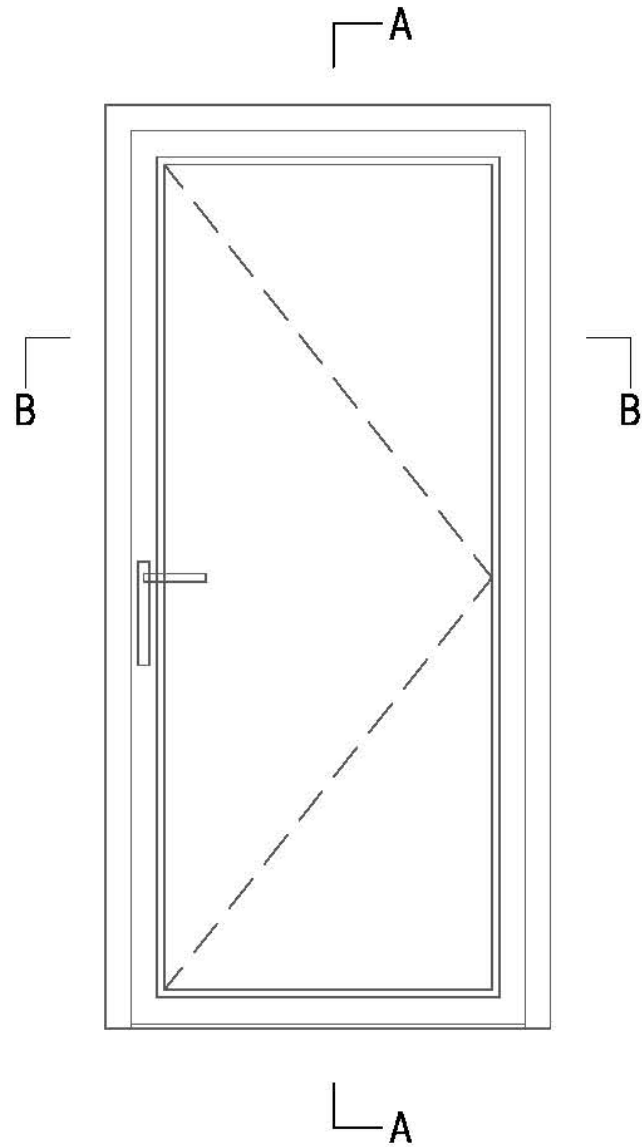


Section: B-B



Section: A-A

Fasten Screw-in Retainer to profile with #4 flat-head screws, 2 in (50 mm) from each end and every 8 in (200 mm) maximum spacing.



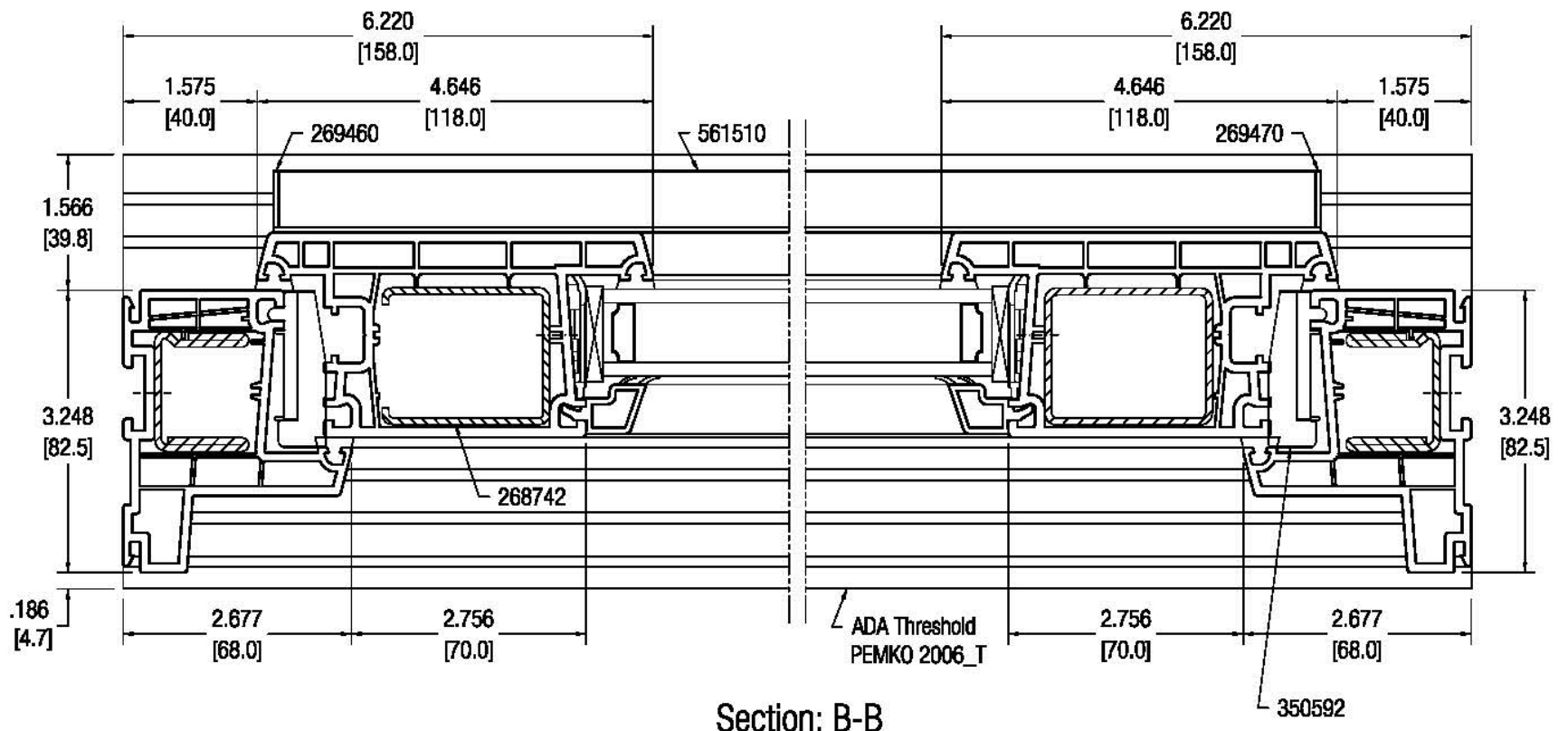
Axis position of hinge must be confirmed before processing. It will affect the egress size.

Rev #	Revision Description & Date

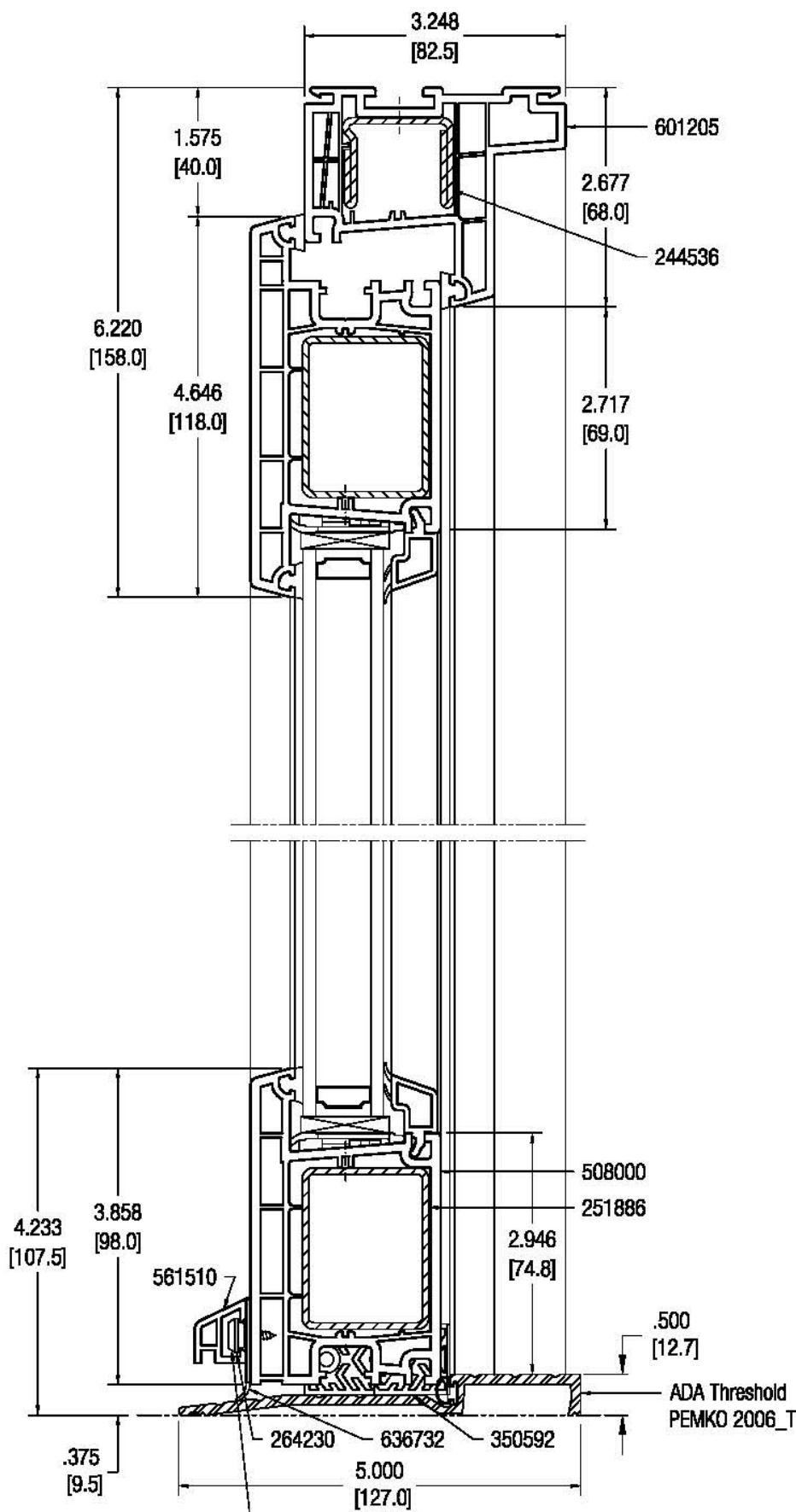
Before using the drawing, the user must determine suitability of the drawing for user's intended use and shall assume all risk and liability in connection therewith. REHAU DISCLAIMS ALL WARRANTIES, EXPRESS OR IMPLIED, INCLUDING BUT NOT LIMITED TO ANY IMPLIED WARRANTIES OF MERCHANTABILITY OR FITNESS FOR A PARTICULAR PURPOSE.



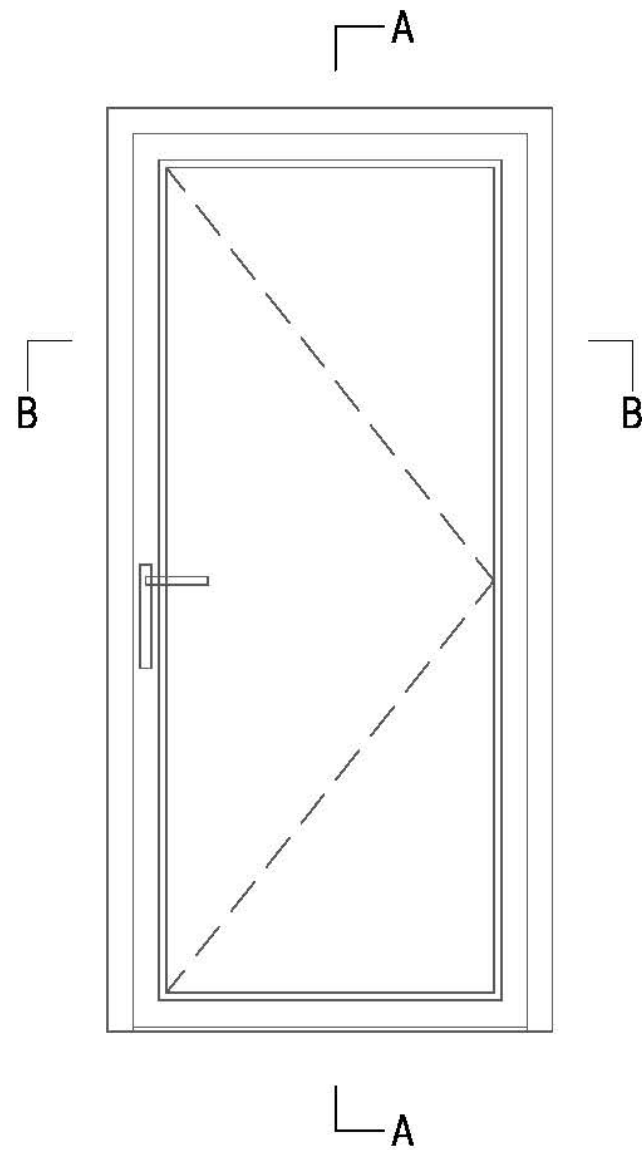
System: 4500 SERIES	
Title: Single Out-Swing Door use EU Frame Snap on Nail-Fin, Sash T118 and ADA-Threshold	
Date: 03/28/2018	Scale:
Drawing No.: 2002-16-199	SN: Rev.: 1
© 2018 REHAU. Do not disclose without written permission	



Section: B-B



Section: A-A



Axis position of hinge must be confirmed before processing. It will affect the egress size.

Fasten Screw-in Retainer to profile with #4 flat-head screws, 2 in (50 mm) from each end and every 8 in (200 mm) maximum spacing.

Rev #	Revision Description & Date

Before using the drawing, the user must determine suitability of the drawing for user's intended use and shall assume all risk and liability in connection therewith. REHAU DISCLAIMS ALL WARRANTIES, EXPRESS OR IMPLIED, INCLUDING BUT NOT LIMITED TO ANY IMPLIED WARRANTIES OF MERCHANTABILITY OR FITNESS FOR A PARTICULAR PURPOSE.



System: 4500 SERIES	
Title: Single Out-Swing Door use NA Frame, Sash T118 and ADA-Threshold	
Date: 03/28/2018	Scale:
Drawing No.: 2002-16-200	SN:
© 2018 REHAU. Do not disclose without written permission	Rev.: 1

Drawn by: FHS