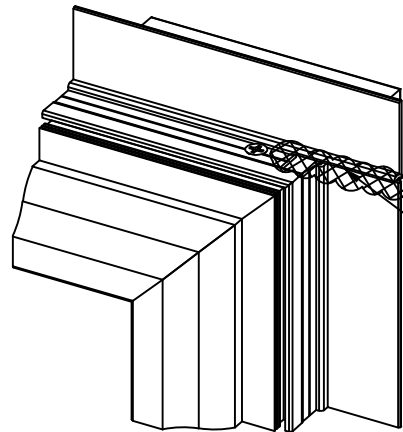
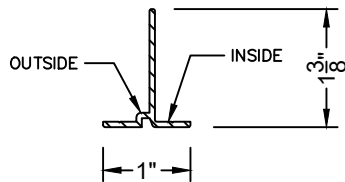


## APPLIED ON NAILING FIN (FIELD APPLIED)



APPLIED SEALANT AT BUTT JOINT AREA BY WINDOW INSTALLER IN FIELD



APPLIED ON NAILING FIN  
AVAILABLE FOR  
SERIES 200 & 500

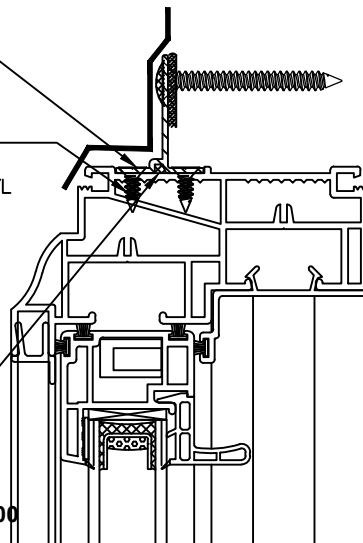
DRIP CAP OR FLASHING BY WINDOW INSTALLER IN FIELD (TYP.)

APPLIED SEALANT ON SCREW HEAD BY WINDOW INSTALLER IN FIELD (TYP.)

SCREWS BY WINDOW INSTALLER (STAINLESS FLAT HEAD VINYL HOLD TAPING SCREW, #8X $\frac{1}{2}$ ", 4" O.C.)

CONTINUOUS BED OF SEALANT BEFORE APPLY NAILING FIN BY WINDOW INSTALLER (TYP.)

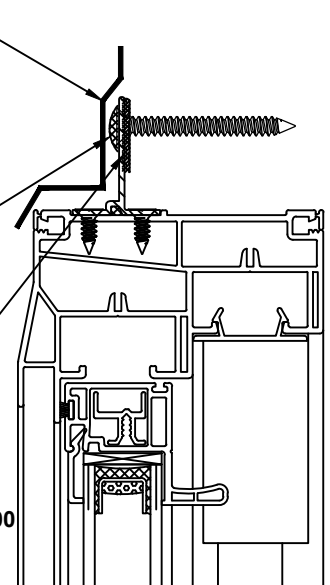
**SERIES 200**



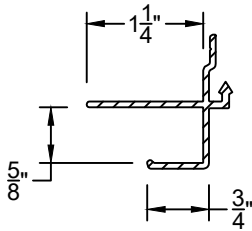
SEALANT AT SCREW HEAD AS REQUIRED BY WINDOW INSTALLER (TYP.)

BACK SEAL NAILING FIN PRIOR WINDOW INSTALLATION BY WINDOW INSTALLER (TYP.)

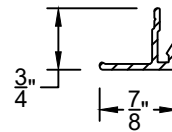
**SERIES 500**



## APPLIED ON J CHANNEL (FIELD APPLIED)



APPLIED ON J CHANNEL WITH  
NAILING FIN (STRAIGHT CUT)  
AVAILABLE FOR SERIES 200 & 500



J CHANNEL  
(STRAIGHT CUT)  
AVAILABLE  
FOR SERIES 300

SCREWS  
BY WINDOW INSTALLER  
(STAINLESS FLAT HEAD  
VINYL HOLD TAPING  
SCREW,  
#8X $\frac{1}{2}$ " 4" O.C.)

APPLIED SEALANT  
ON SCREW HEAD BY  
WINDOW INSTALLER  
IN FIELD (TYP.)

CONTINUOUS BED OF  
SEALANT BEFORE APPLY  
NAILING FIN  
BY WINDOW INSTALLER  
IN FIELD

**SERIES 200**

SCREWS  
BY WINDOW INSTALLER  
(STAINLESS FLAT HEAD  
VINYL HOLD TAPING  
SCREW,  
#8X $\frac{1}{2}$ " 4" O.C.)

APPLIED SEALANT  
ON SCREW HEAD BY  
WINDOW INSTALLER  
IN FIELD (TYP.)

CONTINUOUS  
BED OF SEALANT  
BEFORE APPLY  
NAILING FIN  
BY WINDOW INSTALLER  
IN FIELD

**SERIES 300**

SCREWS  
BY WINDOW INSTALLER  
(STAINLESS FLAT HEAD  
VINYL HOLD TAPING  
SCREW,  
#8X $\frac{1}{2}$ " 4" O.C.)

SEALANT ON  
SCREW HEAD BY  
WINDOW INSTALLER

CONTINUOUS  
SEALANT  
BEFORE APPLY  
J-CHANNEL BY  
WINDOW  
INSTALLER

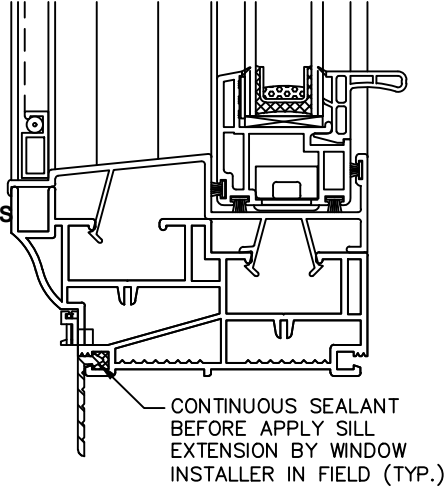
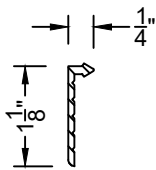
**SERIES 500**

APPLIED SEALANT  
AT BUTT JOINT  
AREA BY WINDOW  
INSTALLER IN FIELD

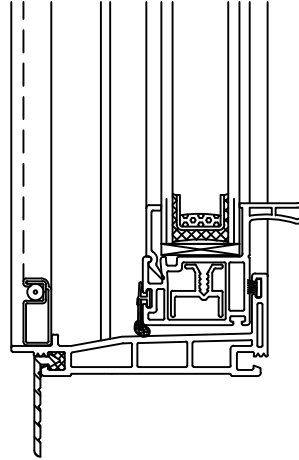
CONTINUOUS BED OF  
SEALANT BEFORE  
APPLY NAILING FIN  
BY WINDOW  
INSTALLER  
IN FIELD

## SILL EXTENSION (FIELD APPLIED)

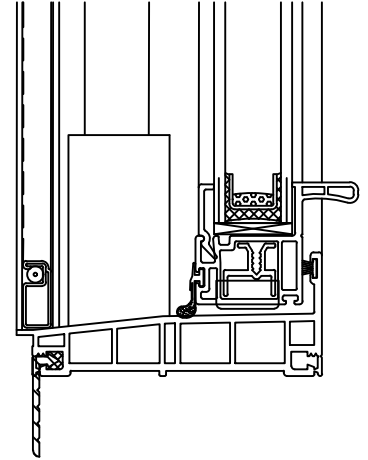
**1 1/8" SILL EXTENSION  
AVAILABLE FOR SERIES  
200, 300, 400, 500**



**SERIES 200**

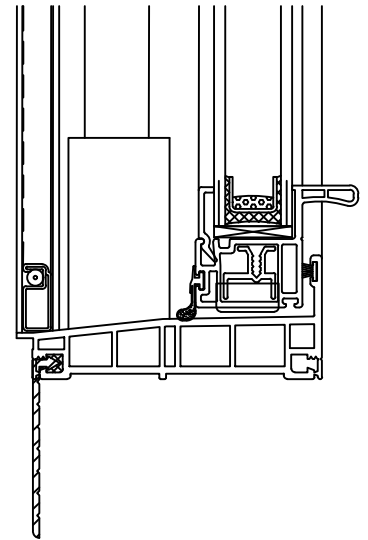
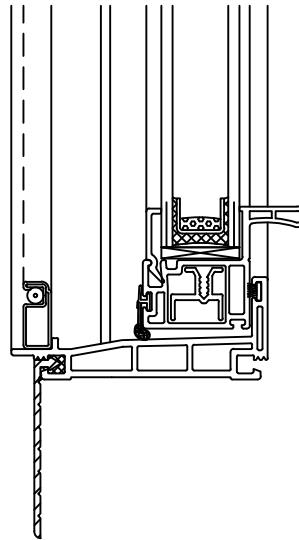
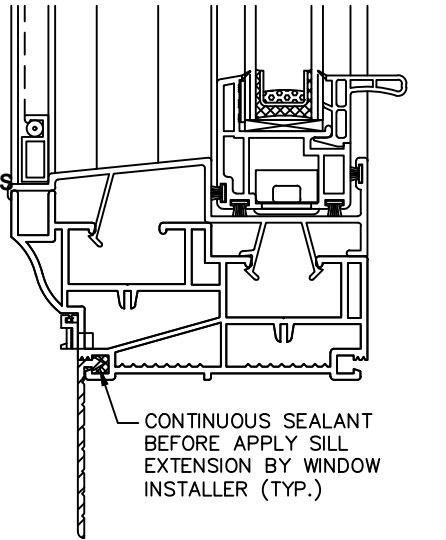
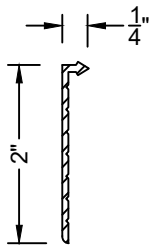


**SERIES 300R**

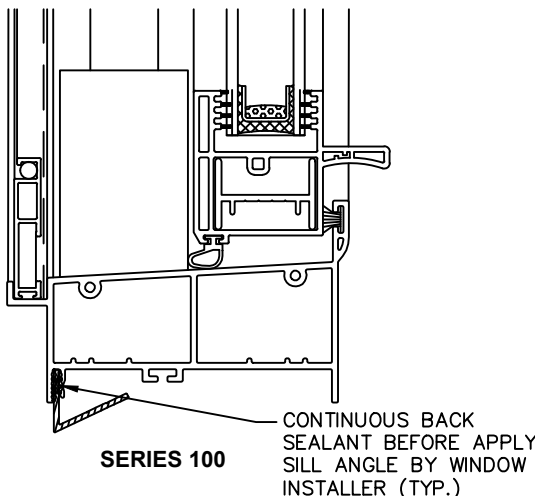
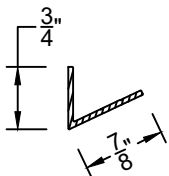


**SERIES 500**

**2" SILL EXTENSION  
AVAILABLE FOR SERIES  
200, 300, 400, 500**



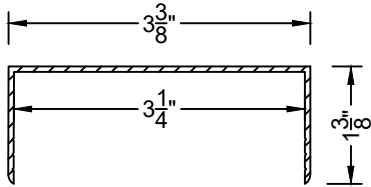
**SILL ANGLE  
AVAILABLE FOR  
SERIES 100**



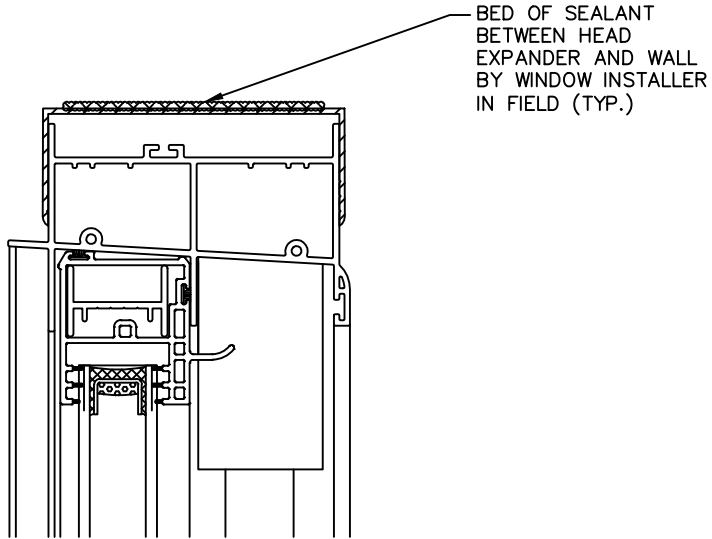
**SERIES 100**

CONTINUOUS BACK  
SEALANT BEFORE APPLY  
SILL ANGLE BY WINDOW  
INSTALLER (TYP.)

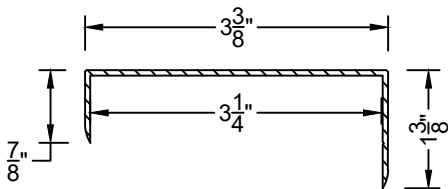
## HEAD EXPANDER (FIELD APPLIED)



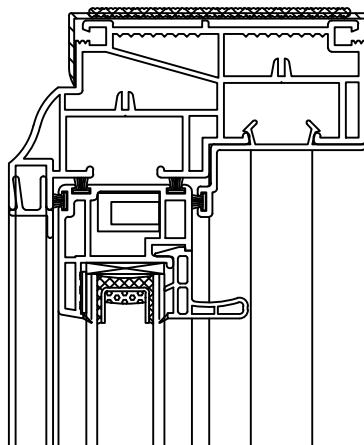
**HEAD EXPANDER  
AVAILABLE FOR  
SERIES 100**



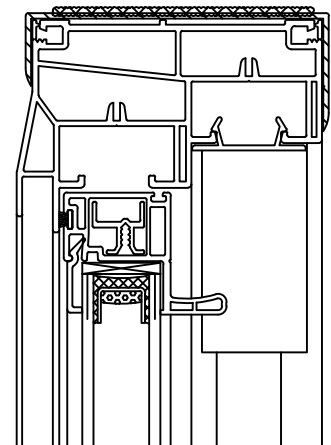
**SERIES 100**



**HEAD EXPANDER  
AVAILABLE FOR  
SERIES 200 & 500**

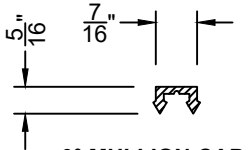


**HEAD EXPANDER  
ON SERIES 200**

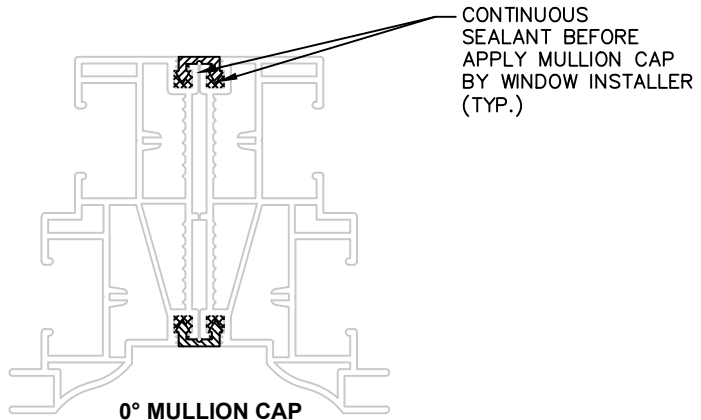


**HEAD EXPANDER  
ON SERIES 500**

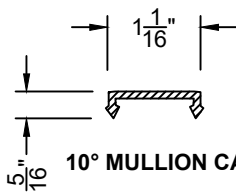
## MULLION (FIELD MULL)



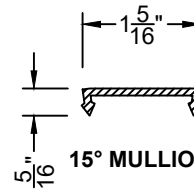
**0° MULLION CAP**  
For Series  
200, 300, 400, 500



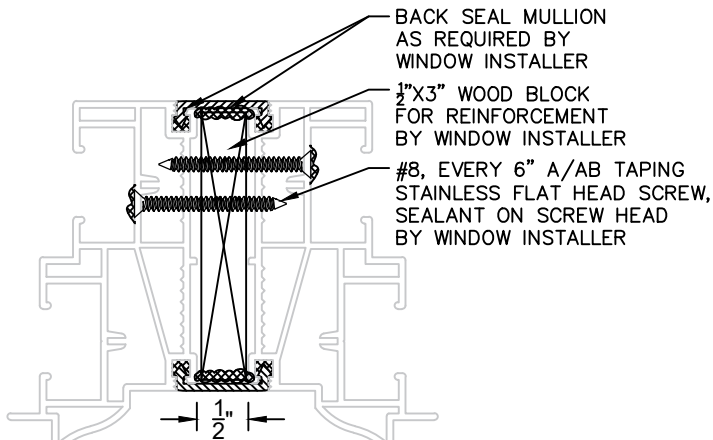
**0° MULLION CAP**



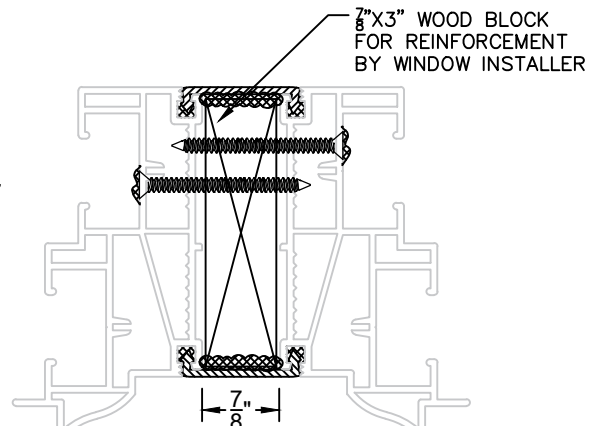
**10° MULLION CAP**



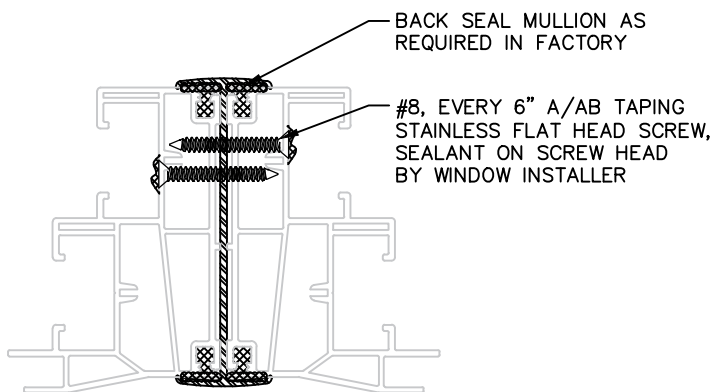
**15° MULLION CAP**



**10° MULLION CAP**



**15° MULLION CAP**



**3/4" H MULLION**