

1. DOOR CLOSER FOR PULL/HINGE SIDE

The Surface Mount DC54 Door Closer is an option for 1400/1410 Series Terrace door and is assembled using a regular arm installation for Pull/Hinge side of the door application. The door closer is supplied with an adjustable back check feature to protect the door and hardware from damage due to wind or violent door swings in the opening cycle. Both the closing and latching speeds are adjustable for smooth operating door control. A Parallel Arm Bracket and mounting hardware are included with each closer permitting universal installation for regular, top jamb or parallel arm applications. Also comes with the mounting self adhesive template for user friendly door closer installation.

2. APPLY SELF ADHESIVE DOOR CLOSER TEMPLATE

Use Pull Side/Hinge Self Adhesive Template from Door Closer Box. Align edge of templates from hinge side, corner of Door head frames and upper sash (See figure #1). Center punch template holes. Remove template and start mounting Door Closer body, rod and shoe.

3. INSTALL DOOR CLOSER

Fasten Door Closer body with self tapping (4x) 1/4-20x3/4" Phillips Flat Head Machine Screw (See figure #2). Then, secure Rod and Shoe with self tapping (2x) 1/4-20x5/8" Phillips Pan Head Machine Screw. Attach main arm to door closer using (1x) 1/4-32x Phillips Hex Machine screw with (2x) washers (See figure #3). Preload Arm to 90 degrees and push towards the rod and secure them both with Phillips pan head machine screw (1x) 1/4-32x1/2" with (2x) washers.

4. ADJUST DOOR CLOSING SPEED

On door closer adjustment side, there are three adjustment valves. Valve #1 is for "Closing". Valve #2 is for "Latch". Valve #3 is for "Back Check". Turn valves clockwise for slower speed, and counter clockwise for faster speed (See figure #4).

CAUTION: Do not adjust valve more than (2x) turns from factory set positions. Valves can be dislodged from the door closer body, resulting in the loss of internal fluid and failure of the door closer device.

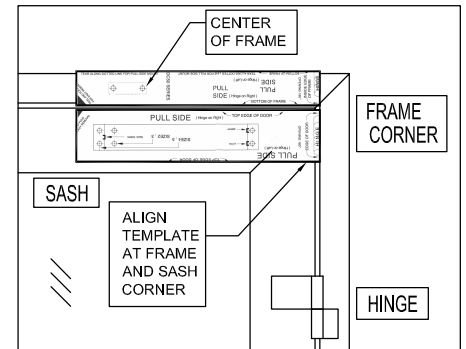


FIGURE 1

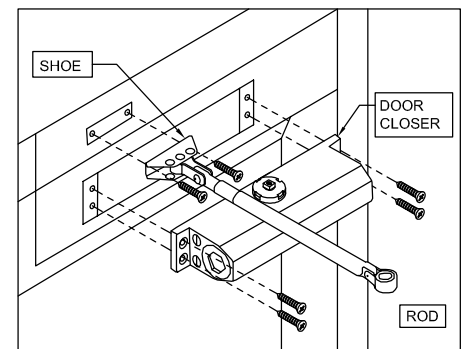


FIGURE 2

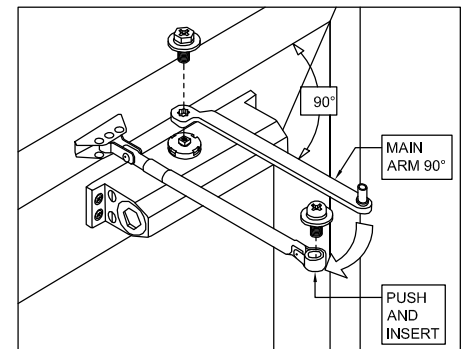


FIGURE 3

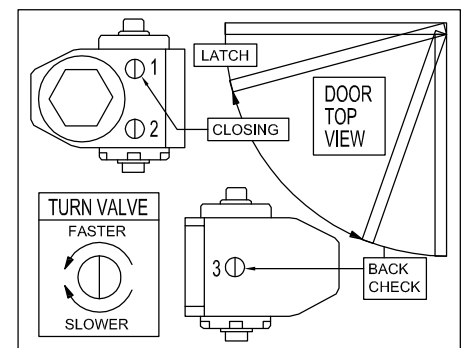


FIGURE 4