

1. ROUGH OPENING PREPARATION & FLASHING

Rough opening must be plumb, level and square (See figure #1). Opening width and height must be at least 3/4", 3/8" on each side at perimeter, larger than the door make size. Add sill pan flashing on rough opening sill (Not by CWD) (See figure #4). Apply bed of sealant (Not by CWD) in between rough opening sill, sill pan and in between end dam and rough opening jamb to create seal wash.

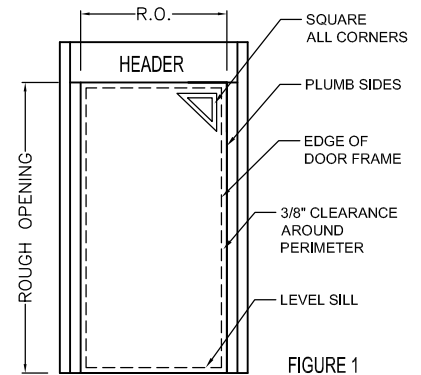


FIGURE 1

2. SETTING THE DOOR INTO THE OPENING

Ensure that the door sashes are in a closed and locked position to maintain the squareness of the frame. Snap in anchor clips at perimeter of window frame, locate at 4" from corners and at 16" O.C. in-between screws using #12x2" SS screws (see figure #2 & #3). You can crimp the anchor clips to help it stay in place if needed. Add or replace an extra #1/4"x4" screw at hinges, straight to building structure. Set the new door O.C. on the sill shims and adjust the jamb clearance to be equal on both sides. Check that the sill is level. Apply shims (Not by CWD) on the bottom of anchor clips and frame as needed to level and plumb the door. Check the frame for squareness by measuring diagonal corners. Diagonal dimensions shouldn't be more than 1/8". Ensure that the clearance between the sash and frame is uniform throughout.

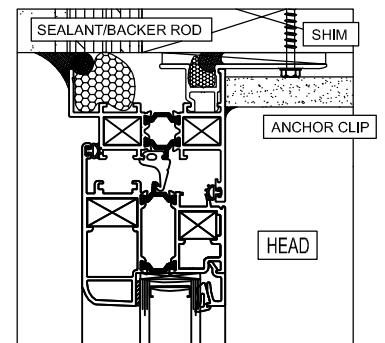


FIGURE 2

3. APPLYING INSULATION

Apply batt insulation or a low expansion expandable foam for window or door as required (Not by CWD) on the head and jamb as required.

Caution: Do not use regular expandable foam as these are known to bow and/or damage the frame. Crystal warranty will be voided under this circumstances.

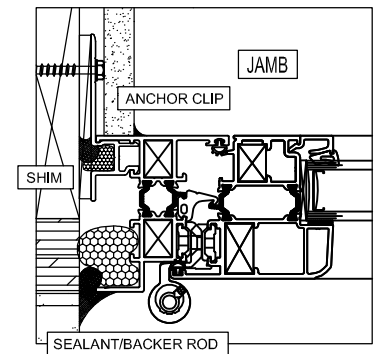


FIGURE 3

4. APPLYING PERIMETER SEAL

Once the door is secured, make sure the condition are clean and dry. Remove any loose debris. Apply sealant primer (Not by CWD) around door leg perimeter. Add proper backer rod (Not by CWD) to avoid 3 point adhesion at the interior and exterior door perimeter. Apply compatible sealant (Not by CWD) (See figure #2, #3 and #4) at exterior and interior door perimeter. Tool sealant. Check the door for operation.

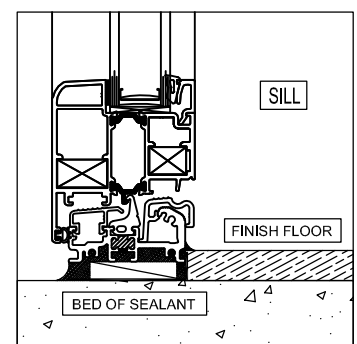


FIGURE 4