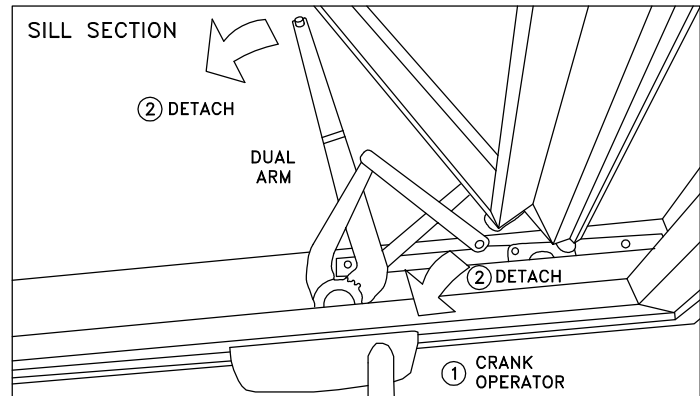


**1. OPEN SASH**

Crank the operator and open the window sash in full swing.

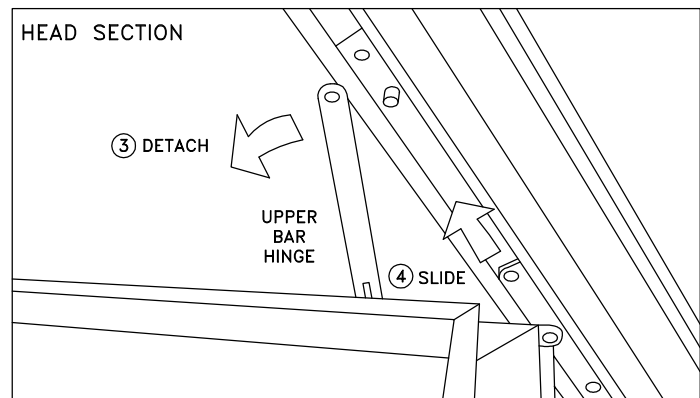
**2. DETACH DUAL ARM OPERATOR**

Detach Dual arms from the slider and from the stud bracket by pressing downward. Apply pressure.



**3. DETACH BAR HINGES**

Clear the dual arms away from the lower hinge. Detach lower bar hinge by pulling upward. Then, detach upper bar hinge and pull bar downward.

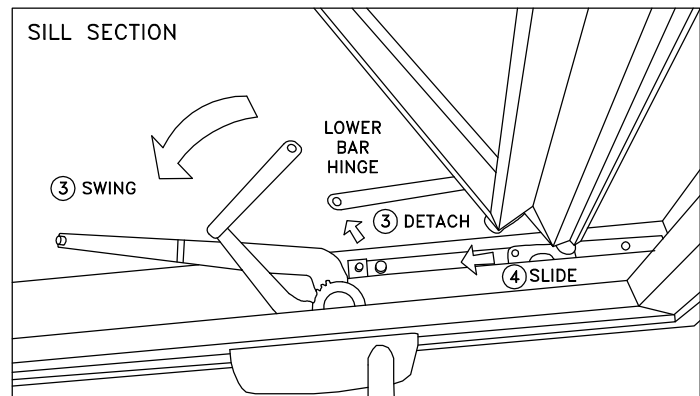


**4. REMOVE SASH**

Slide the sash off the track and pull away from the frame.

**5. CHANGE GLASS**

This procedure must be done with protective gloves and goggles. Lay the sash flat on table. Remove the glazing beads. Remove the broken glass. Clean all dust and debris. Replace double tape. Replace Glass Unit (IGU). Apply new setting blocks (see illustration). Replace and secure Glass unit (IGU) with new glazing beads.



**6. CHECK FOR OPERATION**

Slide sash back to the track. Snap back the lower and upper bar hinges. Snap back in place operator dual arms. Crank and test operator for operation.

