

1. WINDOW PREPARATION

Clean jamb area any visible residue. Use non abrasive cloth. Then, make sure that the sashes of the window are fully closed. use a marker and a measuring tape to mark sash stop limited device location 4" away from the face of the lock rail (see figure #1) to limit bottom sash opening. Mark sash stop limited device location 4" away from the keeper rail (see figure #2) to limit the top sash opening.

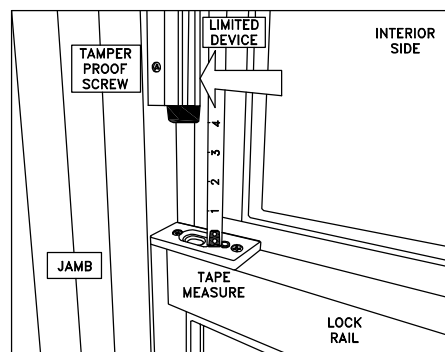


FIGURE 1

2. TO INSTALL LIMITED DEVICE

To Install Top Sash Stop Limited Devices, use Crystal Window part no. THX-99-15. Use (2) #10 x 3/4" Tamper Proof Stainless Steel Screw to secure each limited device. Apply pressure and fasten screws an inch from every corner edge of the limited device.

To Install Bottom Sash Stop Limited Devices, use Crystal Window part no. THX-99-15. Use (2) #10 x 3/4" Tamper Proof Stainless Steel Screw to secure each limited device. Apply pressure and fasten screws an inch from every corner edge of the limited device.

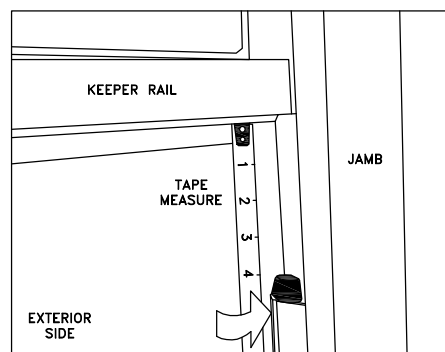


FIGURE 2

3. TEST FOR OPERATION

Pull up the bottom sash to open and check opening. The opening should only have 4" bottom opening space (see figure #3). Pull down top sash to open and check opening. The opening should also only have 4" top opening space (see figure #4).

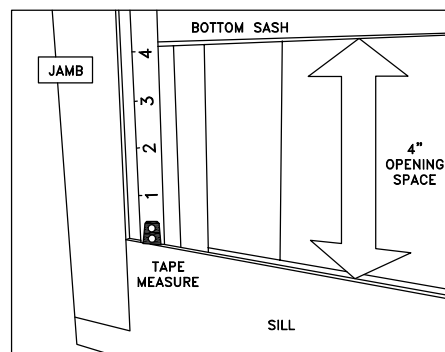


FIGURE 3

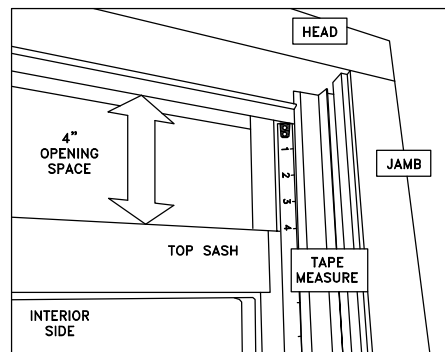


FIGURE 4

1. REMOVE OLD LIMITED DEVICE

Remove old tamper proof screws with proper tamper proof drill bit (see figure #1) for bottom sash, (figure #2) for top sash. Clean jamb area any visible residue. Use non abrasive cloth.

2. TO INSTALL LIMITED DEVICE

Make sure that the top and bottom sashes of the window are fully closed. use a marker and a measuring tape to mark sash stop limited device location 4" away from the face of the lock rail (see figure #3) for the bottom sash. Mark sash stop limited device location 4" away from the face of the keeper rail (see figure #4) for the top sash.

To Install Top Sash Stop Limited Devices, use Crystal Window part no. THX-99-15. Use (2) #10 x 3/4" Tamper Proof Stainless Steel Screw to secure each limited device. Apply pressure and fasten screws an inch from every corner edge of the limited device.

To Install Bottom Sash Stop Limited Devices, use Crystal Window part no. THX-99-15. Use (2) #10 x 3/4" Tamper Proof Stainless Steel Screw to secure each limited device. Apply pressure and fasten screws an inch from every corner edge of the limited device.

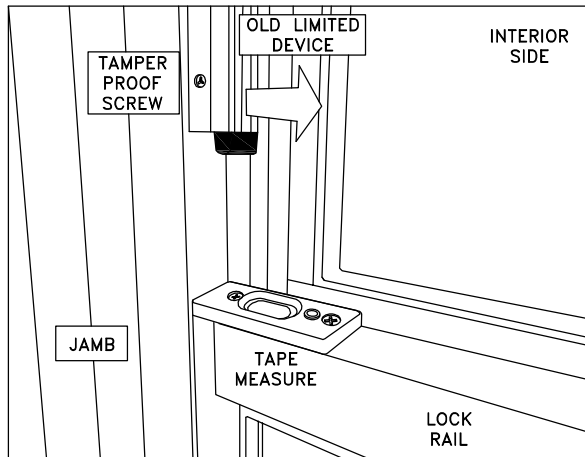


FIGURE 1

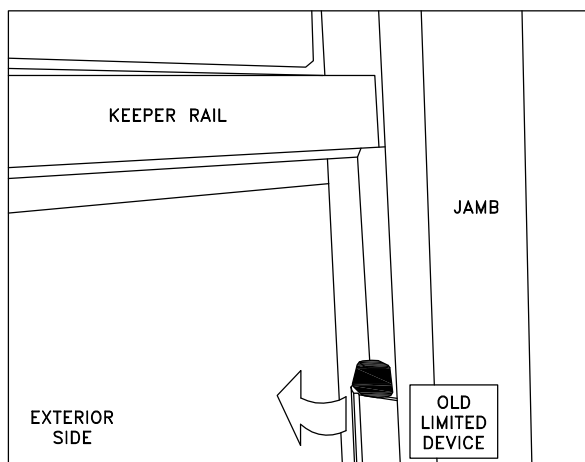


FIGURE 2

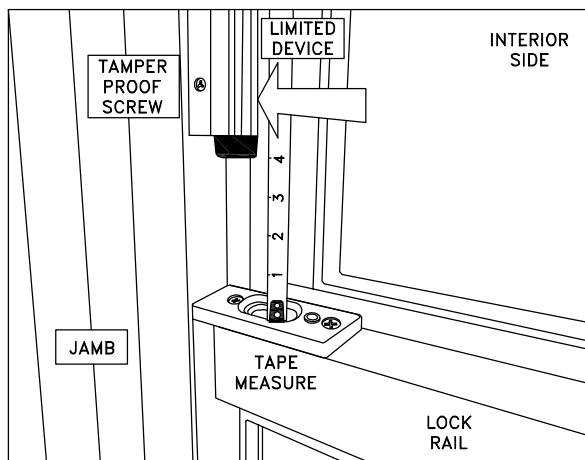


FIGURE 3

3. TEST FOR OPERATION

Pull up the bottom sash to open and check opening. The bottom opening should only have 4" opening space (see figure #5). Pull down top sash to open and check opening. The top opening should also have 4" opening space (see figure #6).

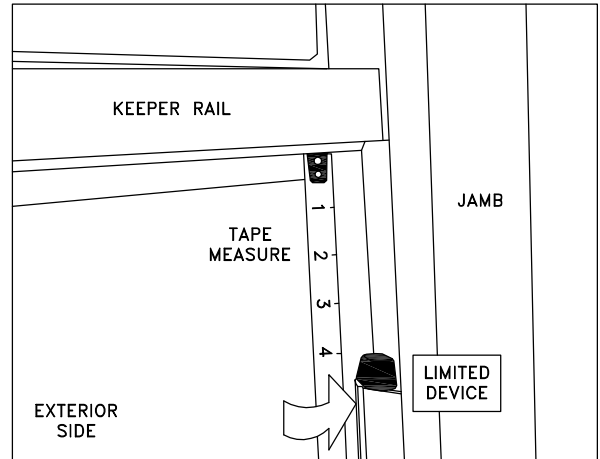


FIGURE 4

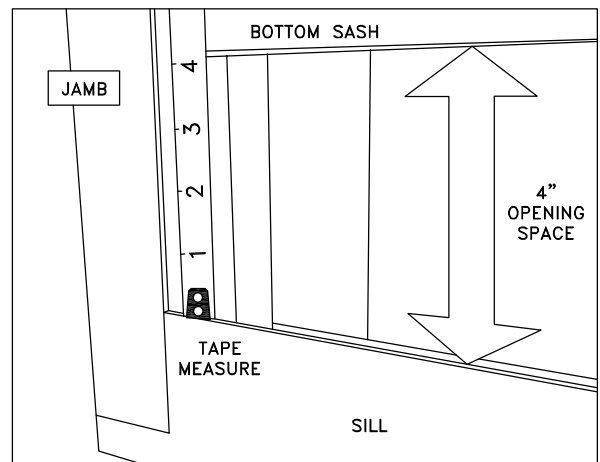


FIGURE 5

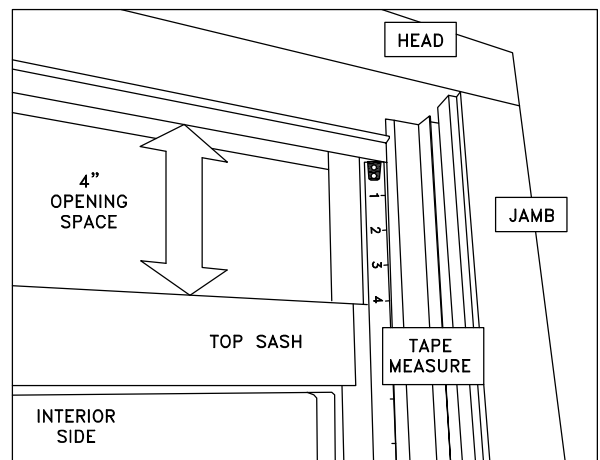


FIGURE 6