

1. WINDOW PREPARATION

Clean sill area any visible residue and debris. Use non abrasive cloth. Then, make sure that the sashes of the window are fully closed. use a marker and a measuring tape to mark sash stop limited device location 4" away from the face of the interlock rails of moving panels at head (see figure #1) and at sill location (see figure #2).

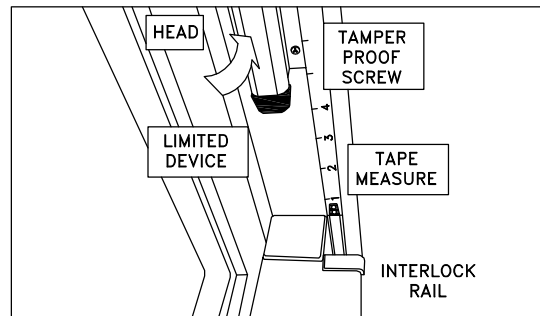


FIGURE 1

2. TO INSTALL LIMITED DEVICE

Install sash stop limited device Crystal window part no. THX-62-X19. Center limited device at the middle of the sill rail (see figure #2) and at the head channel (see figure #1) of the moving panel. Use (4) #8x 1/2" Tamper Proof Stainless Steel Screw to secure each limited device. Apply pressure and fasten screws an inch from every corner edge of the limited device.

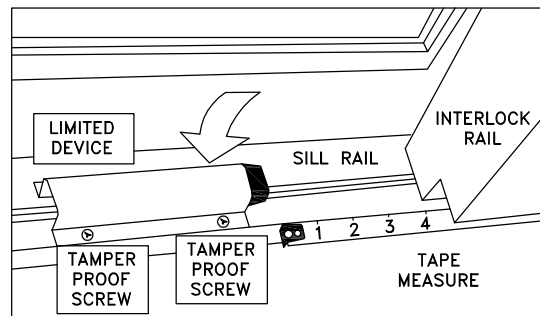


FIGURE 2

3. TEST FOR OPERATION

Slide the sash to open and check opening. The opening should only have 4" opening space (see figure#3).

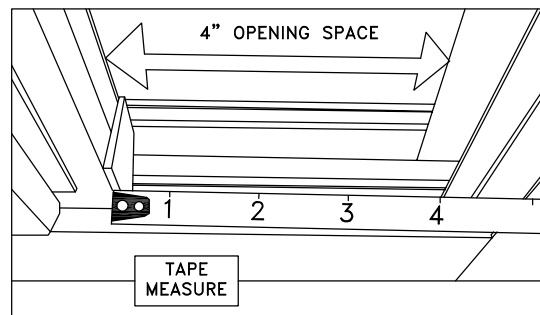


FIGURE 3