

**1. WINDOW PREPARATION**

Clean sill area for any visible residue and debris. Use non abrasive cloth. Make sure that the sashes of the window are fully closed. Use a marker and a measuring tape to mark sash stop location 5 1/2" (or required location) away from the face of the interlock rails on interior and 5" away on exterior top (see figure #1 & #2) for interior & exterior view examples.

**2. TO INSTALL SASH STOP**

Center sash stop at sill and head on the interior and exterior of the window. Use (2) #8 x 1" (Tri-wing Tamper Proof Stainless Steel screw at per device at sill area, and (2) per device at head. Mark and Pre-drill clear holes in the head and sill for ease of installation. Use (2) of the required screws per stop location.

**3. TEST FOR OPERATION**

Slide the sash open and check opening. The opening should be 4 1/2" max (or required location). (see figure no.3).

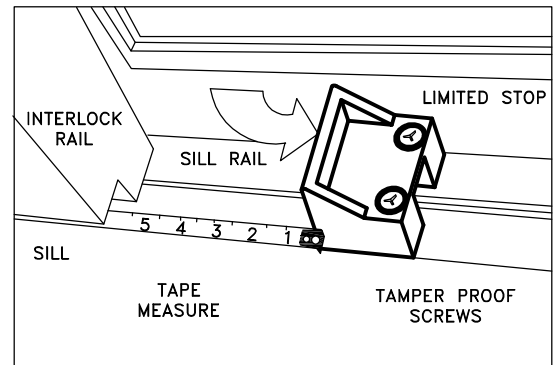


FIGURE 1 (INTERIOR)

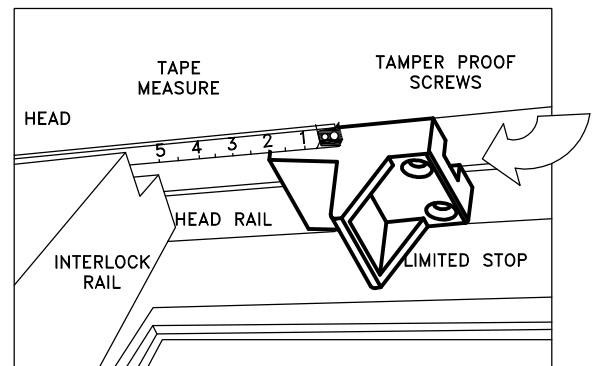


FIGURE 2 (EXTERIOR)

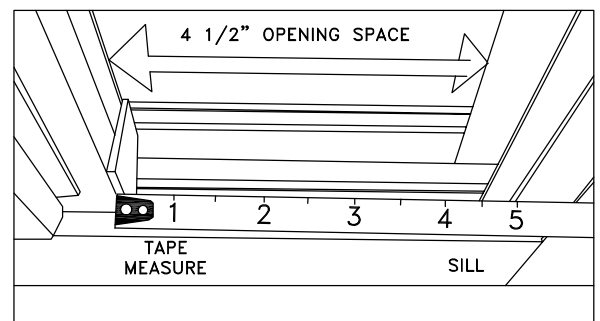


FIGURE 3