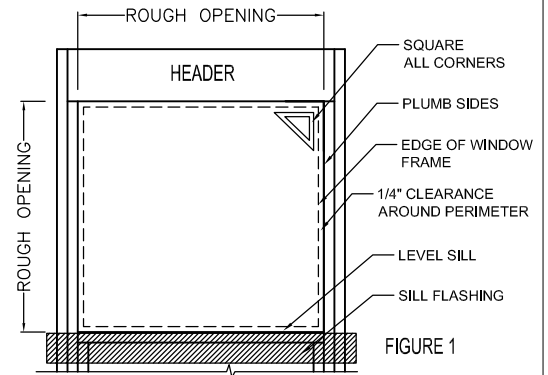


1. ROUGH OPENING PREPARATION & FLASHING

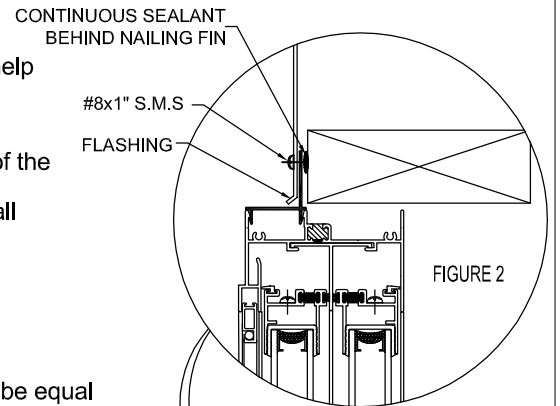
Rough opening must be plumb, level and square. Opening width and height must be at least 1/2" larger than the window make size (not including the nailing fins). Install 6" self-adhesive flexible flashing at sill. Length of flashing is to extend past the nailing fin by at least 4". (NOTE: Head and jamb flashing to be installed after window has been set). Set 1/4" shims at the sill to support the window in a straight and level position. Locate shims at 4" from each side and at 24" O.C. max. in-between.



2. NEW WINDOW FRAME PREPARATION

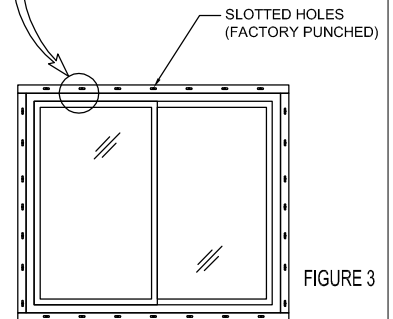
Ensure that the window sashes are in a closed and locked position to help maintain the squareness of the frame.

Apply 3/8" continuous bead of silicone sealant to the interior surface of the nailing fin, covering the holes in the fin (to seal the fin to the building wall sheathing when window is set in the opening).



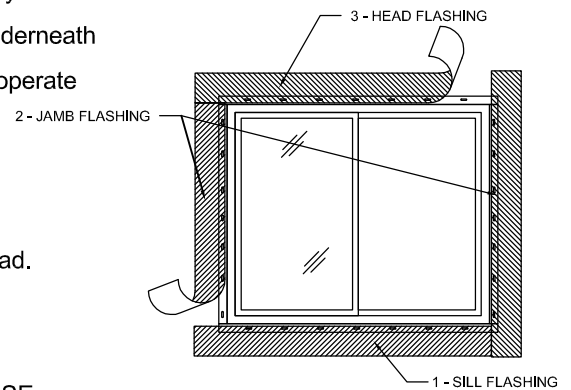
3. SETTING THE WINDOW INTO THE OPENING

Set the new window on the sill shims and adjust the jamb clearance to be equal on both sides. With a #8x1" sheet metal screw, fasten one upper corner of the nailing fin to hold the window in place temporarily. Check that the sill is level and adjust shims as necessary. Apply shims on the sides, 4" from top and bottom and at the meeting rail location, careful not to bow the jamb. Check the frame for squareness by measuring diagonal corners - diagonal dimensions should not differ by more than 1/8". When the frame is plumb, square and level, FASTEN THE WINDOW with #8 sheet metal screws at 16" O.C. through the perimeter nailing fin penetrating the wood (or stud) substrate by at least 1". Try to center the screw in each slotted hole to allow movement of the framing underneath during thermal expansion and contraction. Check that the sashes operate freely.



4. APPLYING JAMB & HEAD FLASHING

Apply 6" flexible adhesive flashing at the jambs and lastly at the head.



5. INSULATION

Apply batt insulation on the head and jamb as required. DO NOT USE EXPANDABLE FOAM INSULATION AS THESE ARE KNOWN TO BOW AND/OR DAMAGE THE FRAME. CRYSTAL WARRANTY WILL BE VOIDED UNDER THESE CIRCUMSTANCES.