

1. ROUGH OPENING PREPARATION & FLASHING

Rough opening must be plumb, level and square (See figure #1). Opening width and height must be at least 1/2" larger than the window make size. Add sill pan flashing on rough opening sill (Not by CWD). Apply bed of sealant (Not by CWD) in between rough opening sill, sill pan and in between end dam and rough opening jamb to create seal wash.

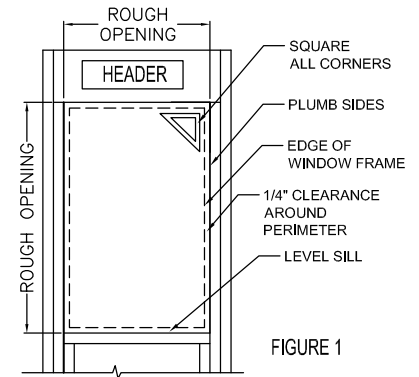


FIGURE 1

2. REMOVAL OF COVER

To install the windows straight from the jambs using screws, remove carefully the cover using a flat head screw driver or a blunt probe and start from the corners (Figure 2). Wedge the flat head tip between the frame and cover (Figure 3). If needed, use mallet to push the flat head screw driver away from the frame not downward. Avoid damaging the frame, cover or scratch the glass. Remove the cover and place it on safe area where no one can step on or damage them. Label the right cover if possible so the same cover is replace back to have the right fittings.

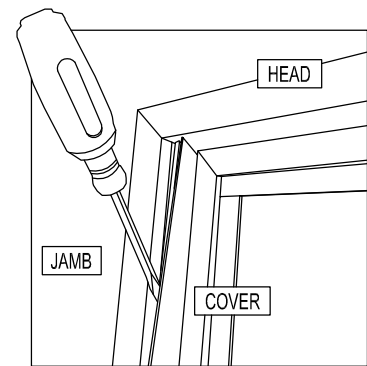


FIGURE 2

3. SETTING THE WINDOW INTO THE OPENING

Set 1/4" shims (Not by CWD) at the sill to support the window in a straight and level position. Locate shims at 4" from each side and at 24" O.C. max. in-between. Set the new window O.C. on the sill shims and adjust the jamb clearance to be equal on both sides. Check that the sill is level and adjust shims as necessary. Apply shims (Not by CWD) at the jambs, 4" from top and bottom and on center location, careful not to bow the jamb. Add fasteners (Not By CWD) 4" away from every corner of window width and height (Figure 4) Or use pre-drilled hole to fasten window. 16" spacing for each fastener must be applied. Anything greater, add fastener O.C. at the frame channel to secure head and sill. Inject sealant (Not by CWD) at the pre-drilled holes and apply sealant (Not by CWD). Do not drill on sill to avoid water and air infiltration. Check the frame for squareness by measuring diagonal corners. Diagonal dimensions shouldn't be more than 1/8". Ensure that the clearance between the sash and frame is uniform throughout. Tighten up each fastener around frame perimeter until plumb, square and level is achieved. Do not over tighten fasteners to avoid frame distortion. Check the window.

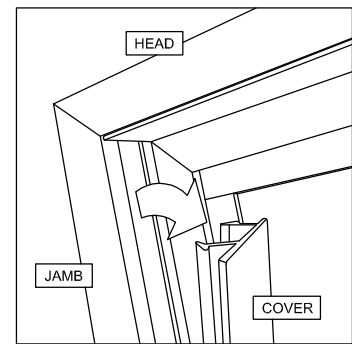


FIGURE 3

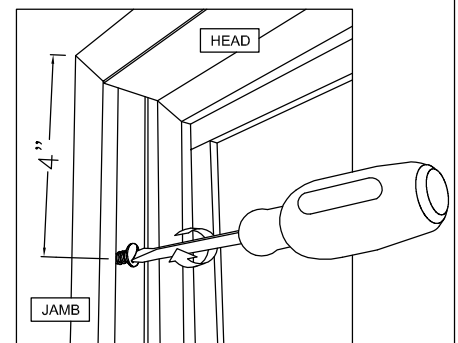


FIGURE 4

4. APPLYING PERIMETER SEAL

Make sure the window condition are clean and dry. Remove any loose debris. Apply sealant primer (Not by CWD) around window leg perimeter. Apply sealant/backer rod (Not by CWD) (Figure 5) around exterior window perimeter and cap bead (Not by CWD) interior window perimeter. Apply sealant (Not by CWD) at screw heads at perimeter prior to replacing back cover.

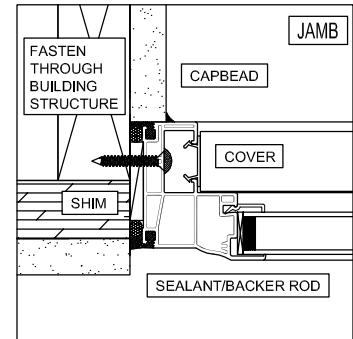


FIGURE 5

5. REPLACE COVER

Replace and install cover back to its proper location as labeled to match exact original cover location. Snap carefully cover back in place. Double check to make sure all covers are secured.