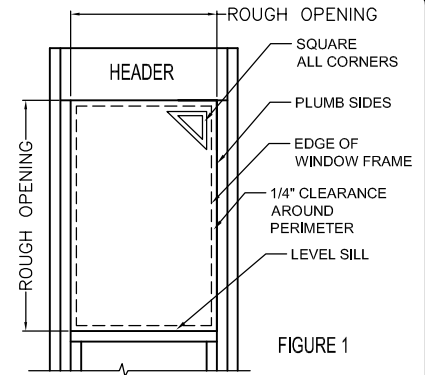


1. ROUGH OPENING PREPARATION & FLASHING

Rough opening must be plumb, level and square (See figure #1). Opening width and height must be at least 1/2" larger than the window make size. Add sill pan flashing on rough opening sill (Not by CWD) (See figure #4). Apply bed of sealant (Not by CWD) in between rough opening sill, sill pan and in between end dam and rough opening jamb to create seal wash.



2. SETTING THE WINDOW INTO THE OPENING

Ensure that the window sashes are in a closed and locked position to maintain the squareness of the frame. Set 1/4" shims (Not by CWD) at the sill to support the window in a straight and level position. Locate shims at 4" from each side and at 24" O.C. max. in-between. Set the new window O.C. on the sill shims and adjust the jamb clearance to be equal on both sides. Check that the sill is level and adjust shims as necessary. Apply shims (Not by CWD) on the sides, 4" from top and bottom and at the meeting rail location, careful not to bow the jamb. Install snap trim clips and fastened 4" away from every corner of window width and height at entire window perimeter, 16" spacing for each fastener applied. Anything greater, add fastener O.C. Do not drill on window sill to avoid water/air infiltration. Check the frame for squareness by measuring diagonal corners. Diagonal dimensions shouldn't be more than 1/8". Ensure that the clearance between the sash and frame is uniform throughout. Tighten up each fastener around frame perimeter until plumb, square and level is achieved. Do not over tighten fasteners to avoid frame distortion. Check the window for operation.

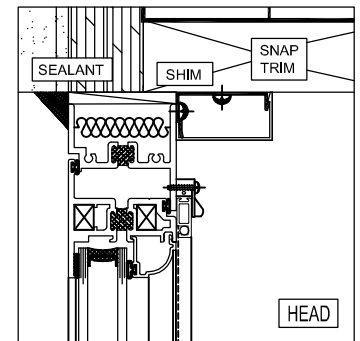


FIGURE 2

3. APPLYING INSULATION

Apply batt insulation (Not by CWD) on the head and jamb as required.

Caution: Do not use expandable foam as these are known to bow and/or damage the frame. Crystal warranty will be voided under this circumstances.

(See figure #2 & #3).

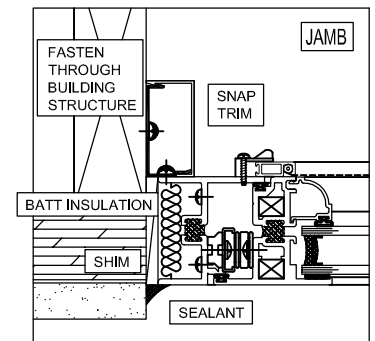


FIGURE 3

4. APPLYING PERIMETER SEAL

Once the window is secured, make sure the condition are clean and dry. Remove any loose debris. Apply sealant primer (Not by CWD) around window leg perimeter. Apply compatible sealant (Not by CWD) (See figure #2, #3 and #4) around exterior window perimeter. Then, add proper backer rod (Not by CWD) to avoid 3 point adhesion at the interior window perimeter. Apply compatible sealant (Not by CWD) around interior window perimeter.

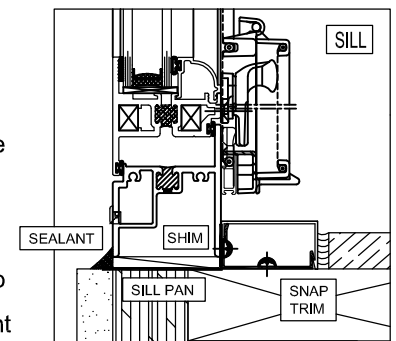


FIGURE 4