

1. SASH OPERATION

Unlock sash by turning handle counter clockwise if handle is on left, and clockwise if handle is on right (Figure 1) and pull sash in an inward swing motion to open. To close the sash, leave the handle in the open position, and push it to close against the frame. Once the sash is in close tight position, turn handle downward to lock.

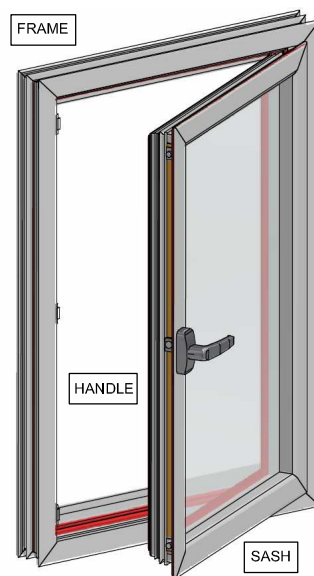


FIGURE 1

2. KEEPER ADJUSTMENT

To adjust keeper position, release keeper with 2.5mm allen key by turning counter clockwise and slide keeper up or down to the desired position (see Figure 2).

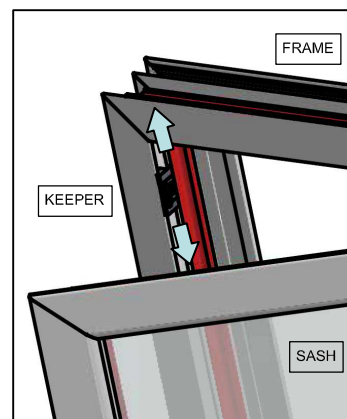


FIGURE 2

3. SASH ADJUSTMENT

To adjust frontward or reverse for compression, insert 2.5mm allen key at the middle of the keeper where the screw to release keeper leg is located. Pull keeper leg towards positive sign indicator of the keeper for more compression (see Figure 3). push toward negative sign indicator if sash is too tight.

4. RELEASING LIMIT DEVICE (OPTION)

Release limit device metal bracket mounted on the slide bar at frame groove by removing the security screw with T-25H torx drill bit (see Figure 4). slide down bracket to release mushroom head connecting pin (see Figure 5). To replace, insert back in place the connecting pin to the limit device bracket. Pull back until the screw boss hole for the security torx screw is perfectly aligned, then fasten to tight. Do not over torque.

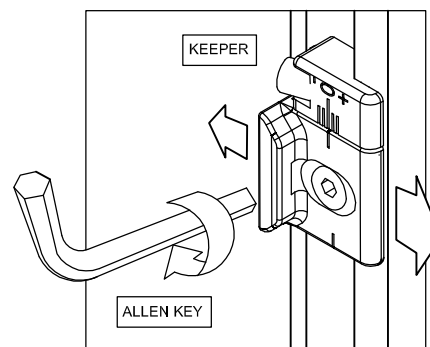


FIGURE 3

5. CLEANING

Remove any visible residue on the window frame and sashes. Use Vacuum cleaner to pickup loose debris. Inspect and clean all weep holes to ensure proper drainage. Use lukewarm water and a damp cloth. Start from the top, working your way to the bottom of the window. First clean on horizontal direction, then in vertical direction. Cloth must be frequently rinsed and clean. Use soft sponge or squeegee and scrub gently to remove tough dirt while applying water to the surface. Use a mild detergent to remove other tough stains. Dry with clean cloth.

Never use liquid grease removers, paint removers, chlorine bleach, acid, abrasive cleaners and any other harsh chemicals. Never use abrasive pads to clean finished surfaces. Do not use excessive abrasive rubbing to remove stubborn stains for it may damage finished surfaces. Do not clean on sun-heated surfaces, only in shaded areas, or areas not exposed to sunlight. Do not use razor sharp blades to clean glass. Do not leave masking tapes, for when sun-baked, it will be permanently attached and impossible to remove without damaging the surface.

6. SCREEN MAINTENANCE (IF APPLICABLE)

To remove for cleaning, release screen clip located on both jambs. Slide screen frame sideways at screen rails and pull out. Be careful not to bend the screen frame. To replace, slide back to the screen rails the screen frame in place. Snap the screen clips back on jamb and screen frame.

Caution: Insect screens are intended to provide insect control. They are not designed as a retaining device for children.

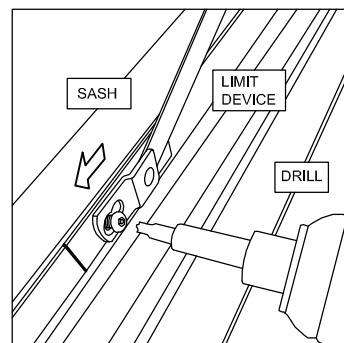


FIGURE 4

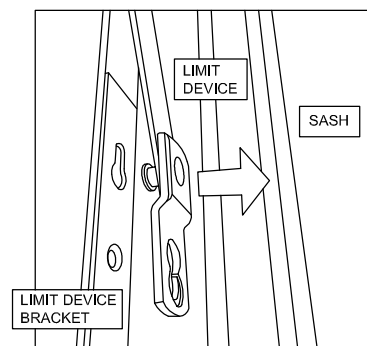


FIGURE 5

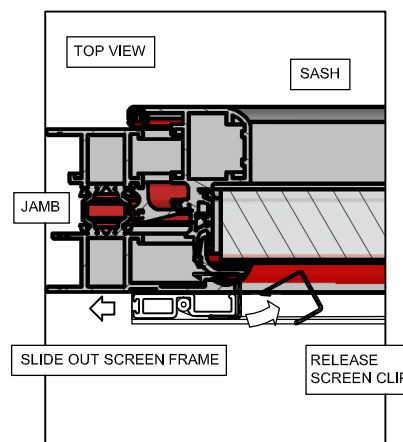


FIGURE 6