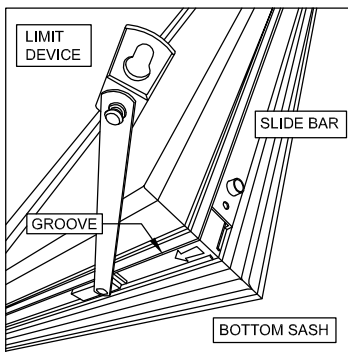
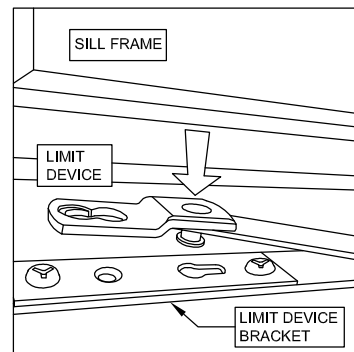


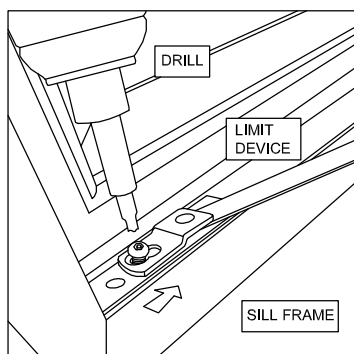
STEP 1 - INSTALL LIMIT DEVICE BRACKET



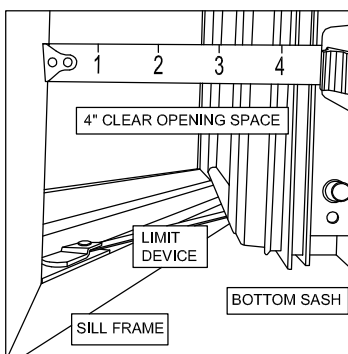
STEP 2 - INSERT LIMIT DEVICE INTO GROOVE



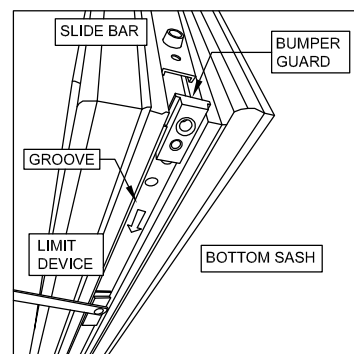
STEP 3 - CONNECT LIMIT DEVICE INTO BRACKET



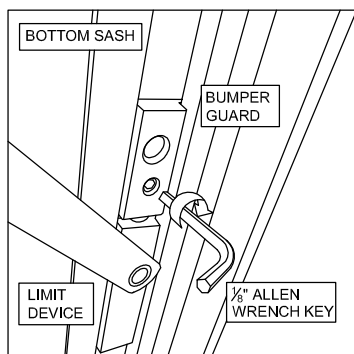
STEP 4 - SECURE WITH TAMPER PROOF SCREW



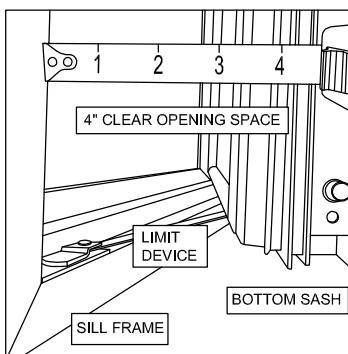
STEP 5 - MEASURE FOR 4" OPENING SPACE



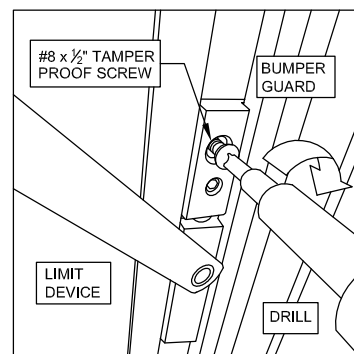
STEP 6 - SLIDE IN BUMPER GUARD



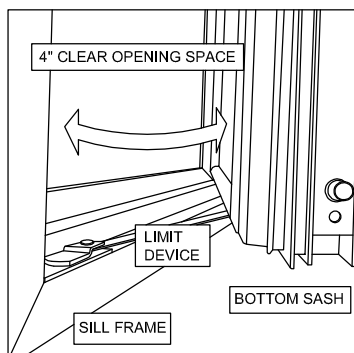
STEP 7 - SET BUMPER GUARD IN PLACE



STEP 8 - CHECK 4" CLEAR OPENING SPACE



STEP 9 - SECURE WITH TAMPER PROOF SCREW



STEP 10 - TEST FOR OPERATION