

**1. PREPARATION FOR RECEPTOR SYSTEM INSTALLATION**

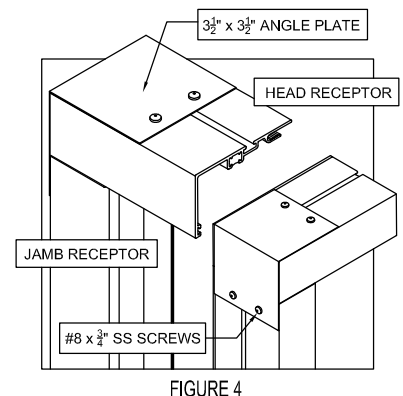
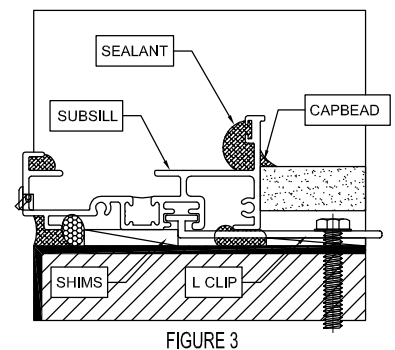
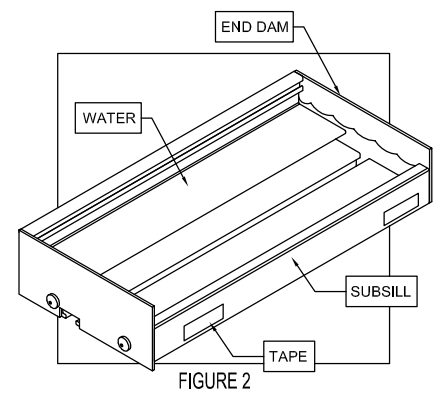
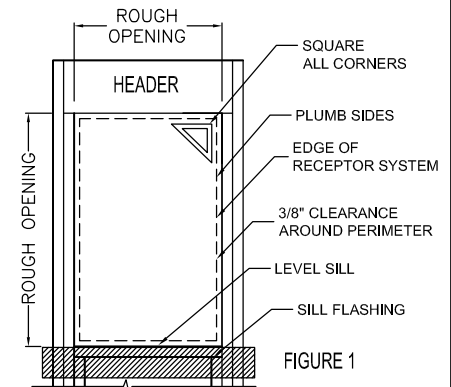
Verify the opening size and check each opening if it is plumb, level and square (see figure #1). Determine that there is flashing at the perimeter of the rough opening and sill pan at rough sill and check that the receptor installation will not penetrate flashing. Make sure that the right fasteners will be used for the specified conditions. Check that the subsill is water tight seal. Perform a water leakage field test. Cover the weepholes with tape and fill the subsill with water. Let the water stand for 15 minutes while checking for water penetration (see figure #2). Seal with sealant if there is leakage (by installer).

**2. SUBSILL INSTALLATION**

Set and shim the subsill within the opening. Ensure that the subsill is level and straight. Secure the subsill with slide in anchor L-Clips, (see figure #3). As much as possible, do not drill a hole into the subsill. Apply continuous bead of sealant on the upturned leg of the subsill. (by installer). Use #12x1-2½" SS screws (by installer) to install L-clips. 4" Away from the corners, 16" OC in between screws. Confirm with structural engineer for screw types, spacing and sizes.

**3. FEMALE RECEPTOR INSTALLATION**

Once the subsill is set, assemble head and jamb female receptor with 3½"x3½" angle plate (see figure #4). Apply bed of sealant at the face of angle plate prior to fastening. Use #8x¾" stainless steel truss head self drill screws (by installer) to assemble head and jamb female receptor. Notch (by installer) the female jamb receptors bottom tip, adjoining the subsill (see figure #5) Install the receptor. Add shims as required (by installer). Line up the head receptor and the subsill. Level the female head & plumb jamb receptor along its length. Secure receptor system with anchor L-clip. Use #12x1-2½" SS screws (by installer) to install L-clips. 4" Away from the corners, 16" OC in between screws. Confirm with structural engineer for screw types, spacing and sizes.



**4. WINDOW INSTALLATION**

Recheck the opening with the female receptor and subsill to verify that the window that will set into is plumb, level and square. Remove any loosed debris. Seal the joint between the end dam and jamb female receptor, creating a wash (see figure #7) to divert water in to the subsill. Apply continuous bead of sealant at the back face of the female receptor before setting window in place. Double check gaskets making sure that they are not dislodged. Add temporary clips for the window to temporarily hold on to while finishing up the male receptor installation. Install the window in place. Check the window by placing a level at the sill. Make adjustments as required. The window will not be anchored to the receptor or subsill. This allow the window to float within the opening allowing it for seismic movement and for product expansion.

If the window has hinges, apply additional 1" fasteners and wood blocking away from the hinge points. directly to the structural jamb condition. On hung windows, apply wood blocking at the meeting rail jambs to keep it plumb and working. Apply blocking at the center of jambs of window sliders to help resist the load when sash is shut.

**5. MALE RECEPTOR CLIP INSTALLATION**

When window is set in place, prepare male receptor. Measure and trim as required at full width of female head and jamb receptor. Male receptor at jamb might terminate at length at the tip of the subsill leg. Apply a bed of sealant (by installer) to the back side, bottom clip and face of the male receptor clip (see figure#8). Snap male receptor with a rubber mallet in place at head and jamb female receptor adapter.

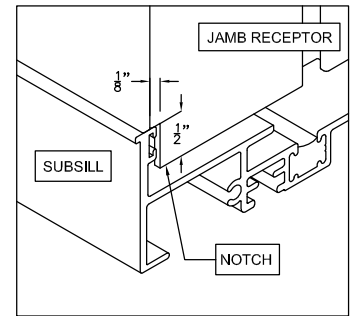


FIGURE 5

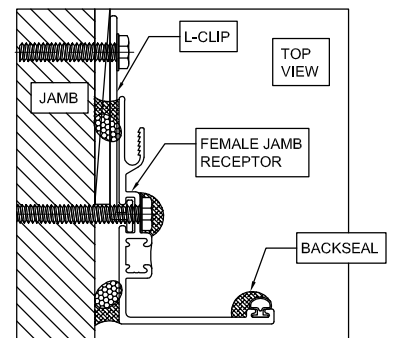


FIGURE 6

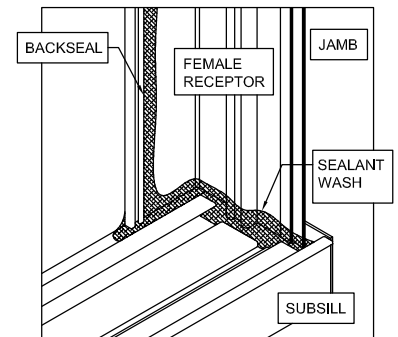


FIGURE 7

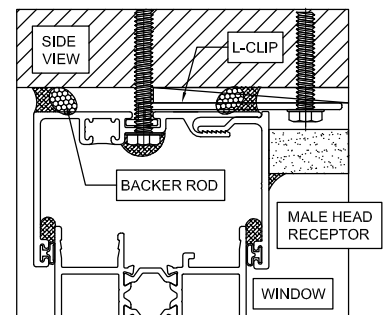


FIGURE 8