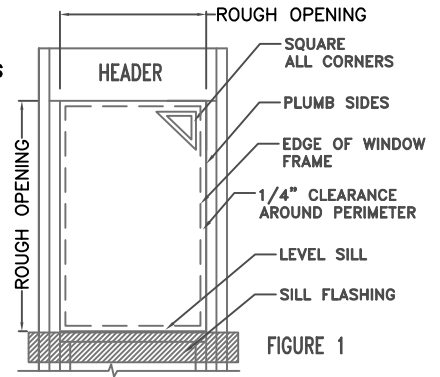


**1. PREPARATION FOR RECEPTOR SYSTEM INSTALLATION**

Verify the opening size and check each opening if it is plumb level and square. Determine that there is flashing at the perimeter of the rough opening and sill pan at rough sill and check that the receptor installation will not penetrate flashing. Make sure that the right fasteners will be used for the specified conditions. Check that the subsill is water tight seal. Perform a water leakage field test. Cover the weepholes with tape and fill the subsill with water. Let the water stand for 15 minutes while checking for water penetration (see figure #2).



**2. SUBSILL INSTALLATION**

Set and shim the subsill within the opening. Ensure that the subsill is level and straight. Secure the subsill at its leg with an angle bar (by others) (see figure #3) As much as possible, do not drill a hole into the subsill. Apply sealant (Not by CWD) for Weatherproofing (see figure #3) as indicated.

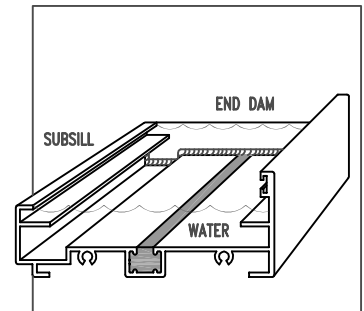


FIGURE 2

**3. FEMALE RECEPTOR INSTALLATION**

Once the subsill is set, install the female head receptor to the head condition (see figure #4). Add shim as required. (Not by CWD). Line up the female head receptor and the subsill. Level the female head receptor along its length. Fasten the female head receptor in place. Then, female jamb receptor must be installed and should be measured and fit properly in-between the head receptor and subsill Shim and fasten (Not by CWD) with the appropriate fasteners for the type of condition (see figure #5). Plumb the Jamb female receptor before finally tightening the fasteners.

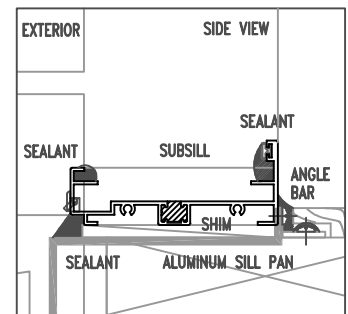


FIGURE 3

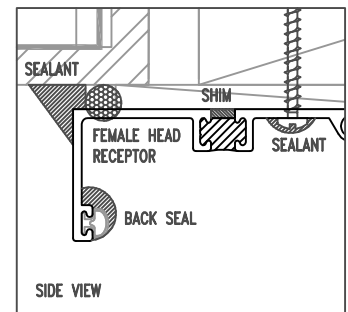


FIGURE 4

## RECEPTOR SYTEM WITH SUBSILL AND 3 PIECE MULLION

### 4. 3 PIECE MULLION INSTALLATION

If the window combination requires a 3 piece mullion for horizontal ribbon, install the 3 piece male mullion first prior to installation of windows (see figure #6). Determine the exact location of the mullions (typically at the center of in-between windows.) Install the 3 piece male mullion first and secure it with an angle bar (Not by CWD). Fasten it into the head and sill condition. Encapsulate the entire fastener heads with sealant (Not by CWD) to ensure a water tight joint (see figure #6). Once the 3 piece male mullion is secured, the installation of the window can begin.

### 5. WINDOW INSTALLATION

Recheck the opening with the female receptor and subsill to verify that the window that will set into is plumb, level and square. Remove any loosed debris. Seal the joint between the end dam and jamb female receptor, creating a wash (see figure #7) to divert water in to the subsill. Apply continuous bead of sealant on the upturned leg of the subsill. Apply continuous bead of sealant at the back face of the female receptor before setting window in place. Double check gaskets making sure that they are not dislodged. Add temporary clips for the window to temporarily hold on to while finishing up the male receptor installation. Install the window in place (see figure #8). Check the window by placing a level at the sill. Make adjustments as required. The window will not be anchored to the receptor or subsill. This allow the window to float within the opening allowing it for seismic movement and for product expansion.

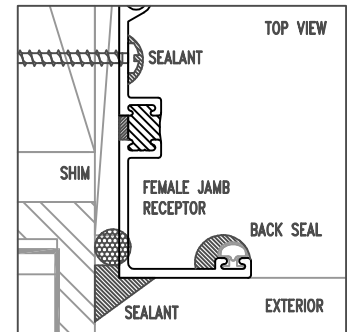


FIGURE 5

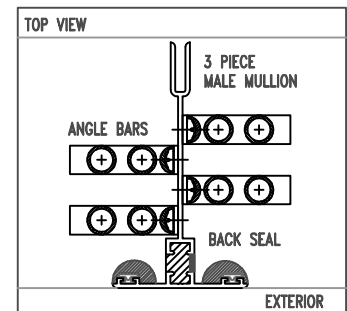


FIGURE 6

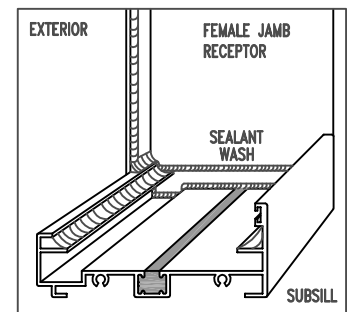


FIGURE 7

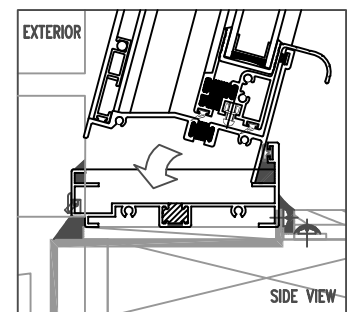


FIGURE 8

If the window has hinges, apply additional 1" fasteners and wood blocking away from the hinge points. directly to the structural jamb condition. On hung windows, apply blocking (wood or shims) at the meeting rail jambs to keep it plumb and working (see figure #9). Apply blocking at the center of jambs of window sliders to help resist the load when sash is shut.

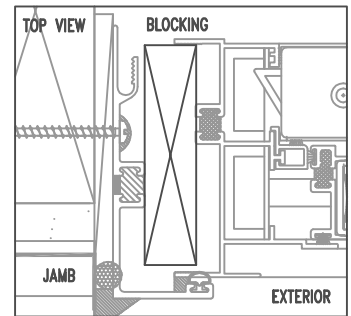


FIGURE 9

**6. MALE RECEPTOR CLIP INSTALLATION**

When window is set in place, prepare male receptor. Measure and trim as required at full width of female head and jamb receptor. Male receptor at jamb might terminate at length at the tip of the subsill leg. Apply a bed of sealant (Not by CWD) to the back side, bottom clip and face of the male receptor clip (see figure#10). Snap male receptor in place at head and jamb female receptor adapter.

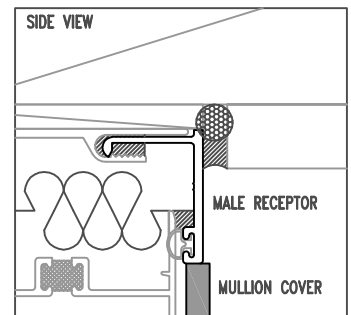


FIGURE 10

**7. COMPRESSED PLATE AND COVER INSTALLATION**

Once the receptor system and the window is in place, apply the pressure plates (3 piece female mullion). Make sure to measure properly the compressed plate from the tip leg of the male receptor (see figure #10) to the tip upper leg of the subsill. Apply sealant (Not by CWD) at the face of the compressed plate before installing it (see figure #11). Check and measure the 3 piece mullion cover is running from the tip of the male receptor clip up to the bottom face of the sill stool. Then notch leg cover to form with the subsill (see figure #12).

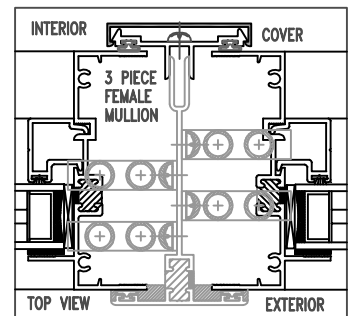


FIGURE 11

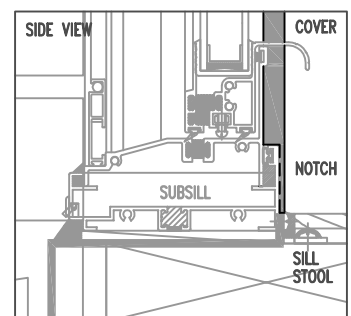


FIGURE 12