

# 8800 Evolution Series



## The Evolution Has Arrived.

The 8800 In-Swing and 8900 Out-Swing are AW-Rated with featuring Energy Struct+Glazing technology for superior thermal & acoustical performance.

The Evolution of architectural windows begins today.



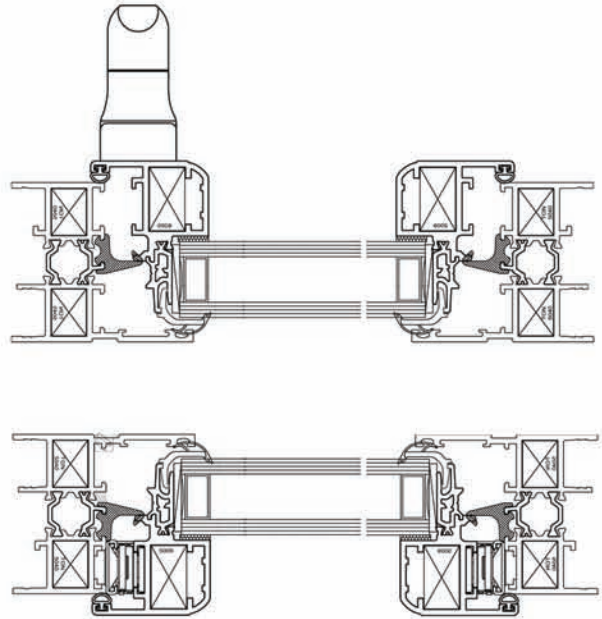
Crystal's 8800 & 8900 are AAMA-rated AW100. The (AW) Architectural Window rating is the highest rating AAMA grants to a window product. The **Evolution** product line is a prime example of performance meeting beauty - offering a wide range of benefits: easy cleaning and ventilation, superior structural performance and an advanced thermal barrier to improve thermal performance. The distinct exterior profile, European-style hardware and the unmatched versatility of two-tone custom color capabilities will enhance the most sophisticated and cutting-edge designs.

**CRYSTAL**<sup>TM</sup>  
WINDOW & DOOR SYSTEMS, LTD.  
[WWW.CRYSTALWINDOWS.COM](http://WWW.CRYSTALWINDOWS.COM)

# 8800 Evolution Series

## PRODUCT FEATURES

- . 2+5/8" FRAME DEPTH  
(Upgraded Option of 8900 with 3-1/4" Frame Depth)
- . AAMA RATING: CLASS AW-PG100
- . 1+1/4" OVERALL IGU
- . ENERGY STRUCT+GLAZING
- . STRUCTURALLY GLAZED SASH
- . EUROPEAN-STYLE FRAME AND SASH
- . CONCEALED 4-BAR HINGES
- . TRIPLE GASKET SEAL
- . PRESSURE EQUALIZED DESIGN
- . ZERO SIGHTLINE SASH
- . EUROPEAN-STYLE CORNER KEYS



Speak to your Crystal representative regarding the wide array of accessories for anchorage, esthetics, and enhanced performances

## PRODUCT PERFORMANCE

Product	8800
Style	In-Swing Casement
Frame Depth	2+5/8"
Overall IGU Depth	1+1/4"
AAMA Rating	AW-PG100
Whole Window U-Value*	0.37
Water (psf)	15
Uniform Load (psf)	127.5
Wall Thickness	0.093"

\* with ESG package

## Evolution Product Family



**8810f**  
Fixed



**Continuous  
Master Frame  
Combo Units**

## Crystal Window & Door Systems, Ltd.

NYC, NY (HQ) 31-10 Whitestone Expressway, Flushing, NY 11354 Tel: 800.472.9988/718.961.7300 Fax: 718.460.4594  
 SCRANTON, PA 204 Franklin Valley Rd, Benton, PA 18414 Tel: 800.472.9988 Fax: 718.460.4594  
 CLEVELAND, OH 29299 Clemens Rd. 1-B, Westlake, OH 44145 Tel: 440.871.8694 Fax: 440.871.8690  
 ST. LOUIS, MO 300 Axminster Dr., Fenton, MO 63026 Tel: 636.305.7880 Fax: 636.305.7881  
 CHICAGO, IL 1300 W. 35<sup>th</sup> st. Chicago, IL 60609 Tel: 773.376.6688/888.280.3288 Fax: 773.376.6868

WWW.CRYSTALWINDOWS.COM Follow us on: 

**CRYSTAL**<sup>TM</sup>  
WINDOW & DOOR SYSTEMS, LTD.  
WWW.CRYSTALWINDOWS.COM



MANUFACTURER RESERVES THE RIGHT TO CHANGE PRODUCT DESIGNS, SPECIFICATIONS, DETAILS AND PRICING AT ANY TIME WITHOUT PRIOR NOTIFICATION.