

Series 2100



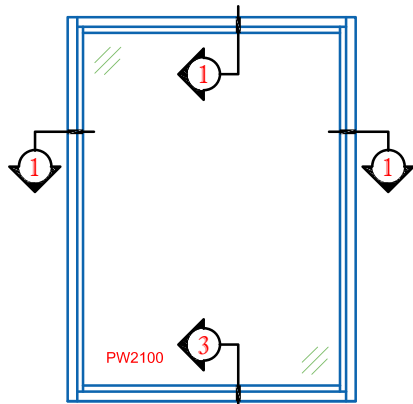
Features

- **Frame Depth = 3 1/4"**
- **Insulated Glass Unit Depth = 1"**
 - *Optimum insulation & sound reduction*
- **Double Strength Glass**
- **Maximum Daylight / Glass with Minimum Frame**
- **AAMA 2604 Powder Coat Finish**
 - *The durable finish that's also environmentally friendly*

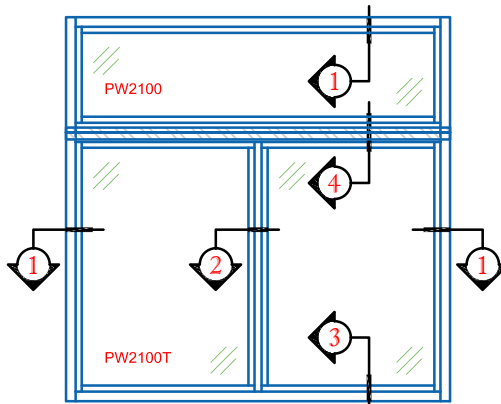
Options

- **Low-E Coating & Argon**
 - *Enhances energy efficiency*
- **1" Insulated Glass Unit**
- **Between-the-Glass or Applied Grids**
- **Custom Colors & Finishes**
- **Nailing Fin**
 - *Designed for New Construction*
- **Casement Fin**
 - *Provides a fast, easy and neat replacement*
- **Continuous T-Mull Configuration**
- **Architectural Shapes**

PRODUCT SPECS	SERIES	STYLES	FRAME DEPTH	IG DEPTH	AAMA RATING	AIR (cfm/ft ²)	WATER (psf)	UNIFORM LOAD (psf)	WALL THICKNESS (frame/sill)
		2100	Picture Fixed	3 1/4"	7/8"	FW-HC55	< 0.30	10	82

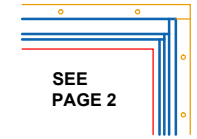


2100 PICTURE WINDOW



2100 OVER 2100T

OPTIONAL FRAME



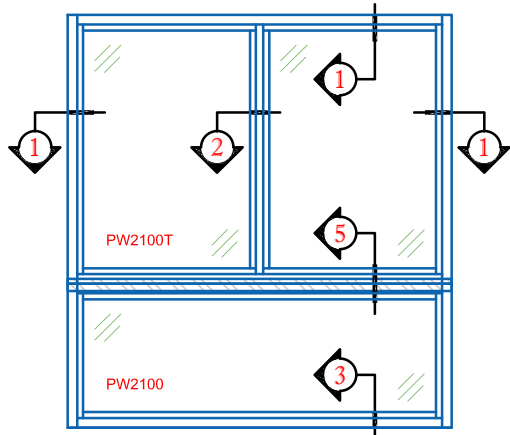
SEE
 PAGE 2

1 1/2" NAILING FIN
 FRAME

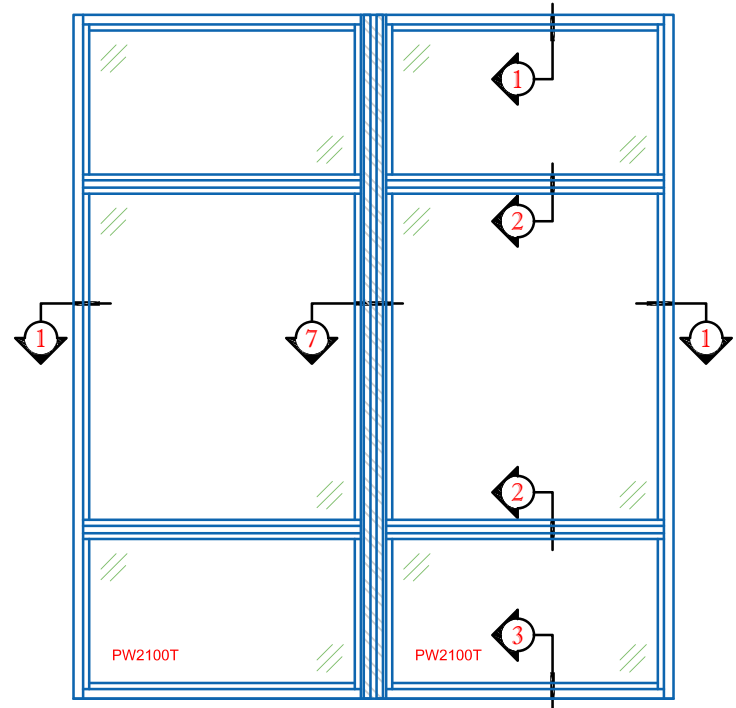


SEE
 PAGE 3

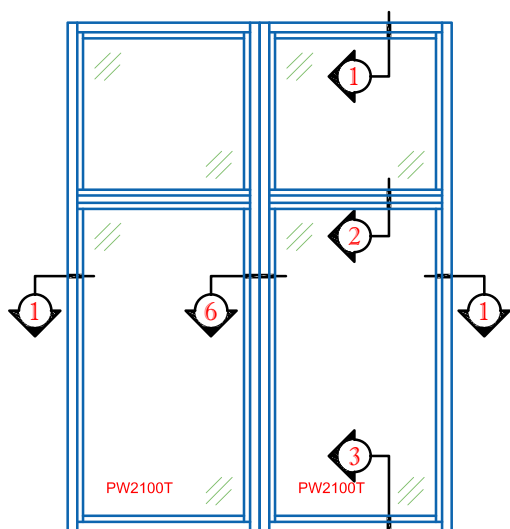
1 1/2" OR 2" FLANGE
 FRAME



2100T OVER 2100
 W/ STACK MULLION



2100T W/ 3PC MULLION

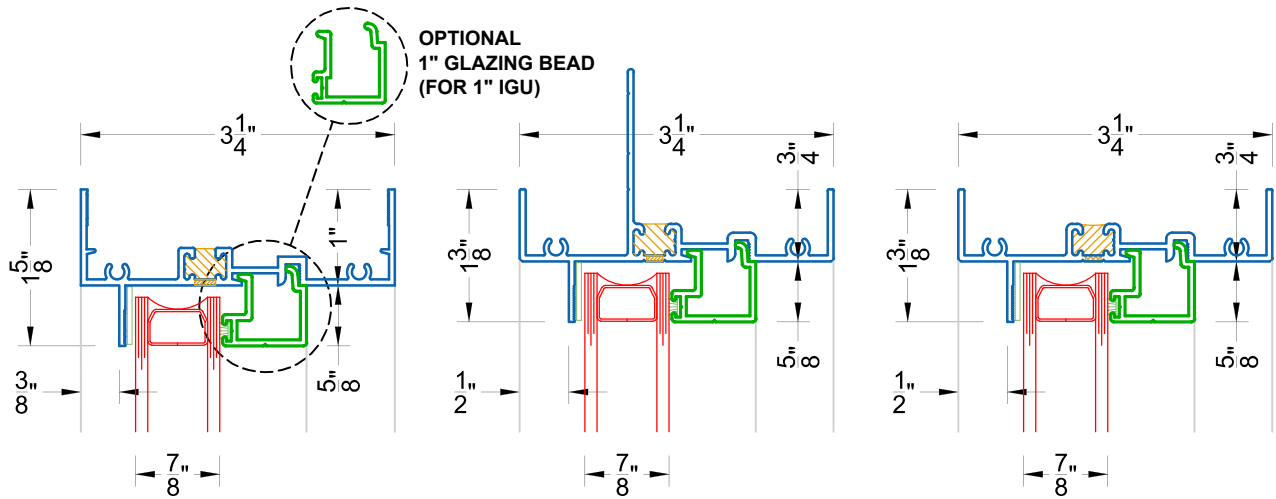


2100T W/ H MULLION

- FEATURES**
- 3 1/4" FRAME DEPTH
 - 7/8" INSULATED GLASS
 - DOUBLE STRENGTH GLASS
 - MAXIMUM DAYLIGHT GLASS WITH MINIMUM FRAME
 - POWDER COAT PAINT
 - AAMA RATING F-HC50

- OPTIONAL**
- LOW-E COATING & ARGON GAS
 - 1" INSULATED GLASS
 - 1 1/2" NAILING FIN FRAME
 - 1 1/2" - 2 1/2" FLANGE FRAME
 - CUSTOM COLORS & FINISHES
 - BETWEEN THE GLASS & APPLIED GRID

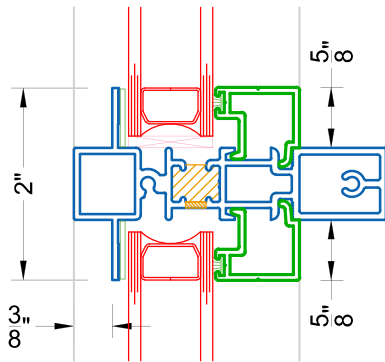
VER: 2014.01



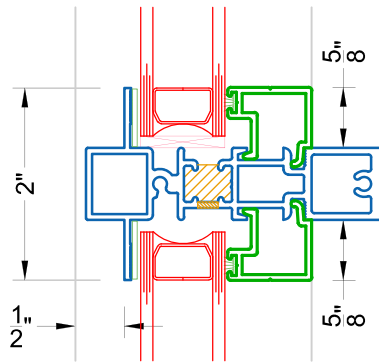
1 STANDARD FRAME
 2100 FIXED

1A OPTIONAL FRAME
 NAILING FIN FRAME
 2100 FIXED

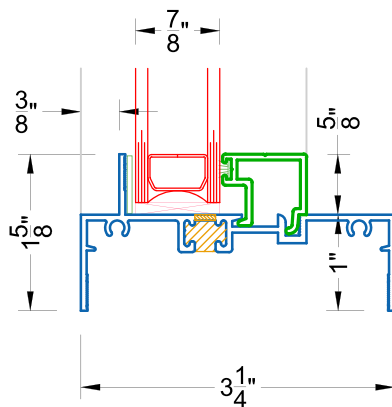
1B OPTIONAL FRAME
 NO FIN FRAME
 MAX. DAYLIGHT



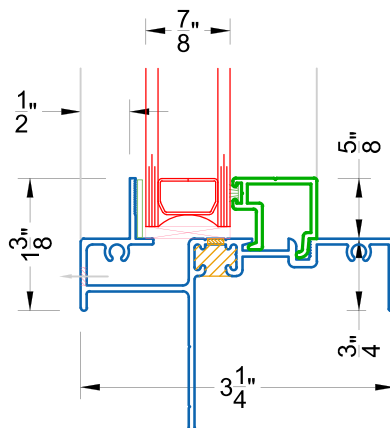
2 T-MULLION
 FOR STANDARD FRAME



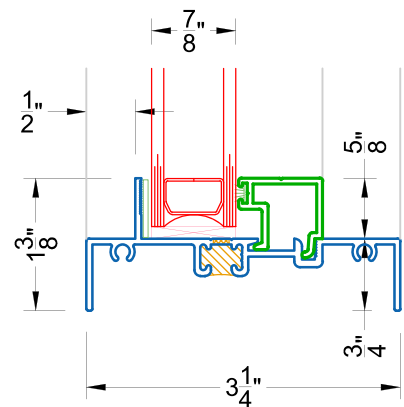
ALTERNATE
 2A T-MULLION
 FOR NAILING FIN / NO FIN FRAME



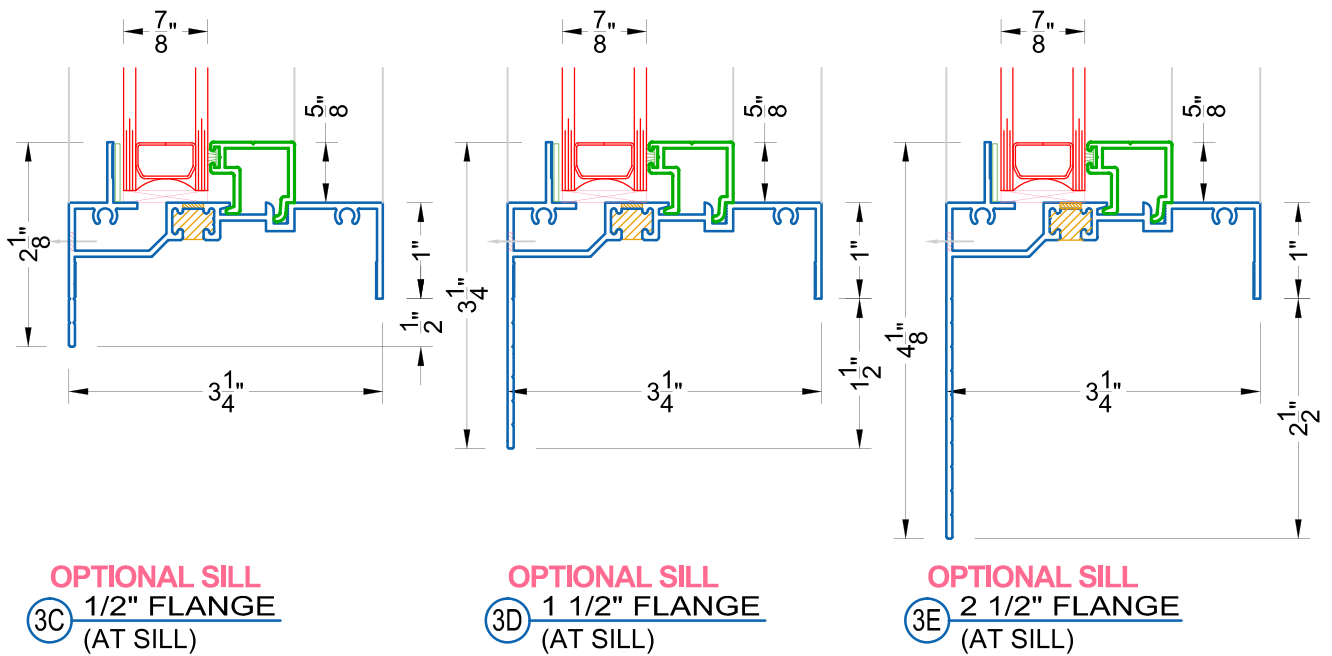
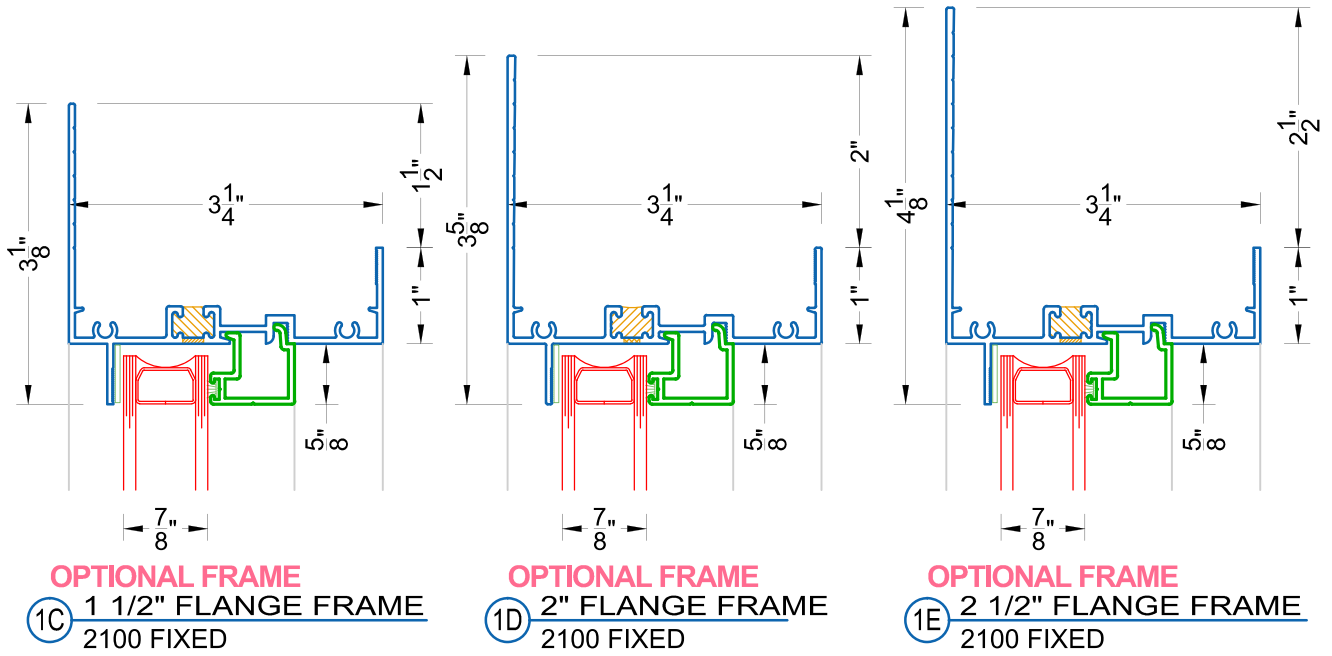
3 STANDARD SILL
 2100 FIXED

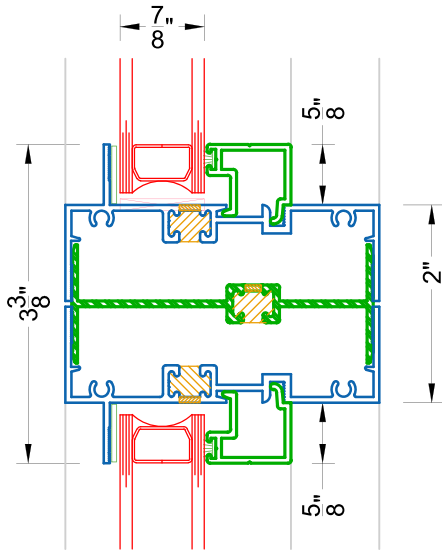


3A OPTIONAL SILL
 NAILING FIN SILL
 2100 FIXED

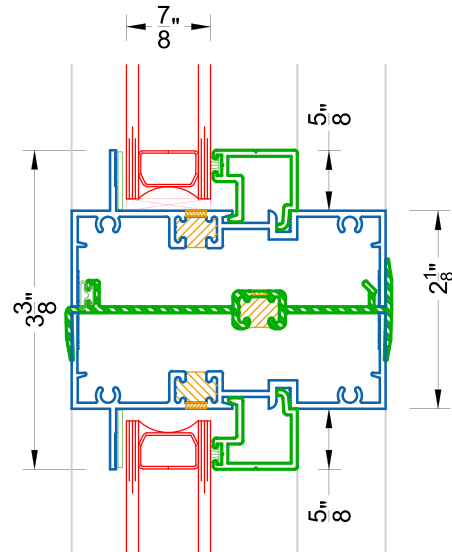


3B OPTIONAL SILL
 NO FIN SILL
 MAX. DAYLIGHT

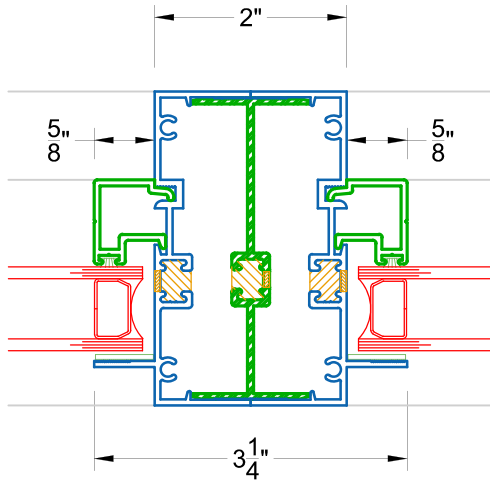




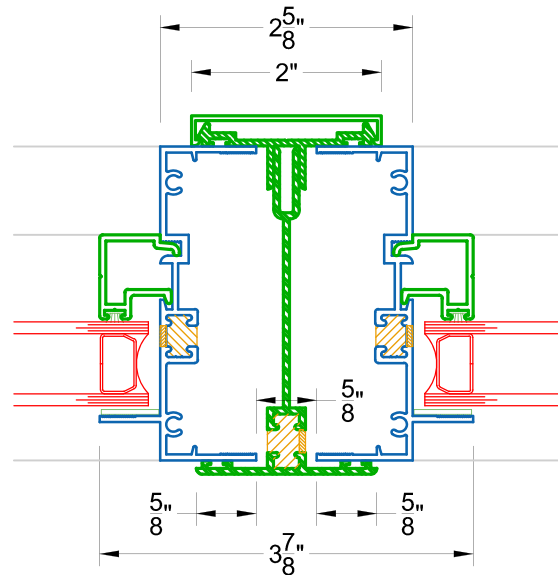
④ 2100 OVER 2100
 H MULLION



⑤ 2100 OVER 2100
 STACK MULLION



⑥ 2100 & 2100
 H MULLION



⑦ 2100 & 2100
 3 PC MULLION