

**Series 235**



**Features**

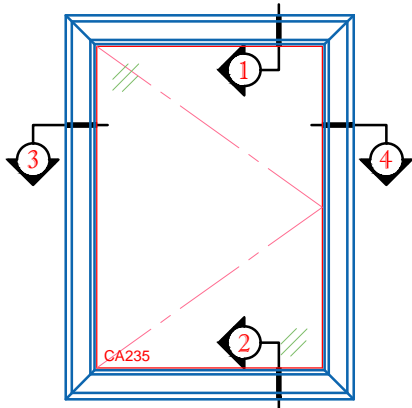
- Frame Depth = 3¼”
- Insulated Glass Unit Depth = 7/8”
- Soft Coat Low-E & Argon filled IGU
- Strong Multi-Chamber Construction
- Stainless Steel Hinges
- Fusion Welded Frame & Sashes
- Continuous Polyethylene Rigid Seal
- Roto Type Operator
- Designer Beveled Sash

**Options**

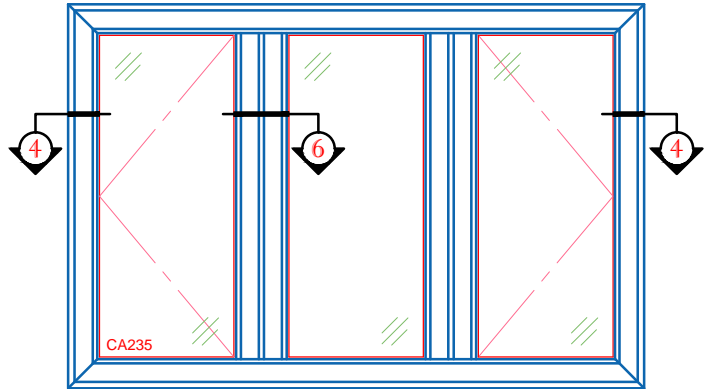
- Extruded Beige Color
- Painted Exterior Custom Color
- Triple Glazed Insulated Glass Unit
- Performa TC™ High Performance Low-E Upgrade
- Between the Glass Grids or Exterior Applied Grids
- Nailing Fin Attachment
- Snap-On J Channel



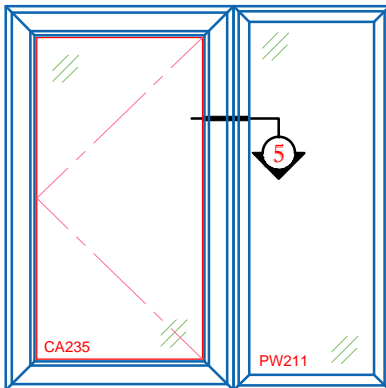
PRODUCT SPECS	SERIES	STYLES	FRAME DEPTH	IG DEPTH	AAMA	ENERGY STAR	ENHANCED W/ PERFORMA TC™ GLASS PACKAGE
	235	Casement	3¼”	7/8”	R60	0.28	0.27



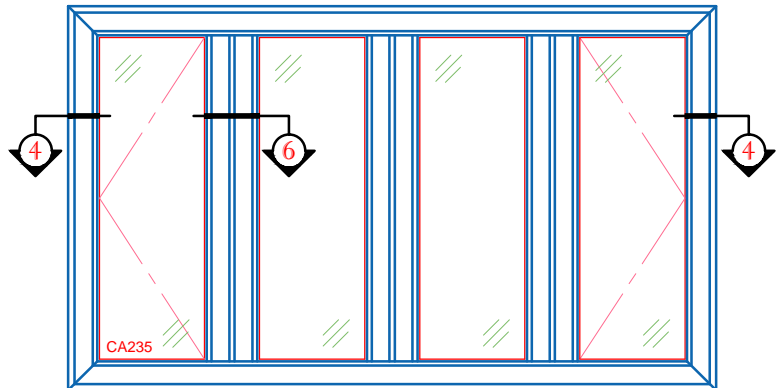
**235 OUT-SWING  
 CASEMENT**



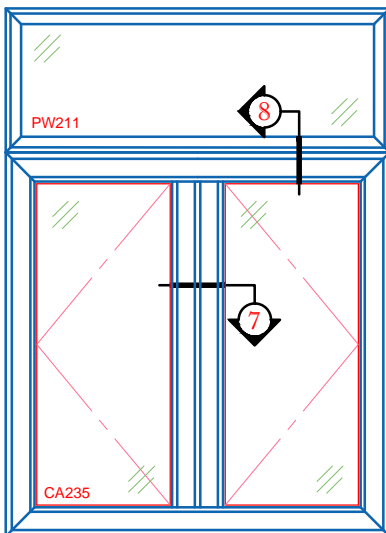
**235 CASEMENT CONTINUOUS MASTER FRAME  
 THREE LITE**



**235 OUT-SWING CASEMENT  
 WITH PICTURE WINDOW 211**



**235 CASEMENT CONTINUOUS MASTER FRAME  
 FOUR LITE (UP TO FIVE LITE)**



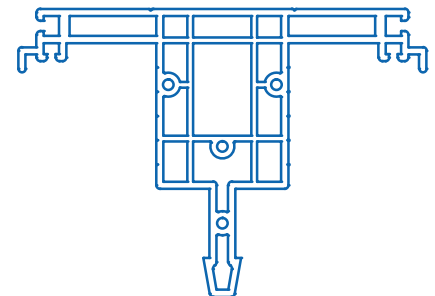
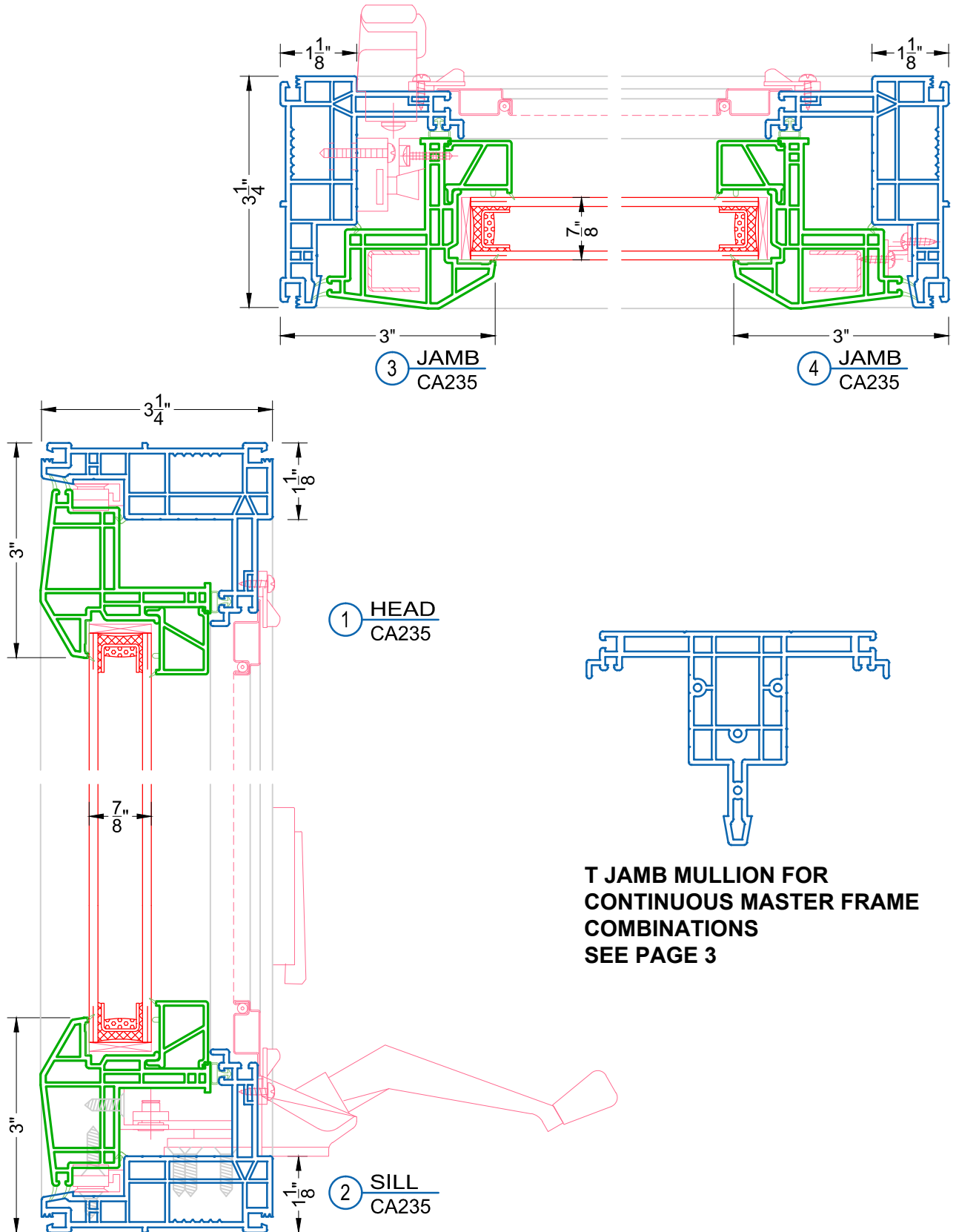
**PICTURE WINDOW 211  
 OVER 235 CASEMENT**

**FEATURES**

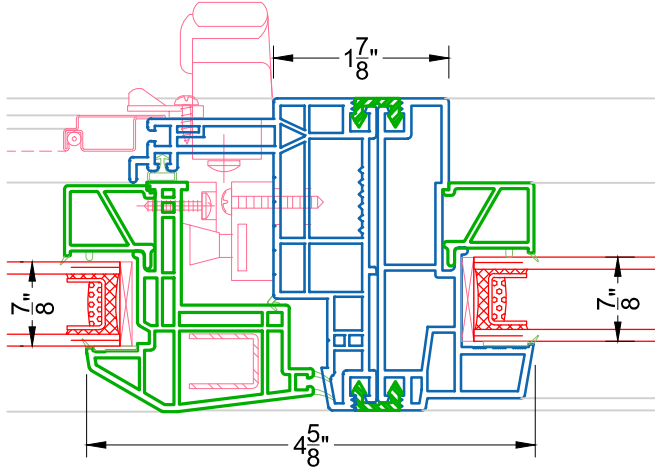
- 3 1/4" FRAME DEPTH
- 7/8" INSULATED GLASS
- SOFT COAT LOW-E & ARGON FILLED IGU
- STAINLESS STEEL HINGES
- ROTO TYPE OPERATOR
- FUSION WELDED FRAME & SASHES
- STRONG MULTI-CHAMBER CONSTRUCTION
- DESIGNER BEVELED SASH
- CONTINUOUS POLYETHYLENE RIGID SEAL

**OPTIONAL**

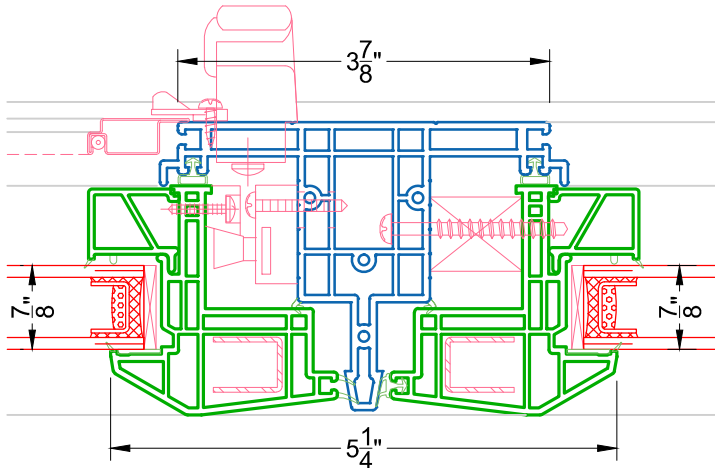
- TRIPLE-GLAZED INSULATED GLASS UNIT
- PERFORMA TC<sup>TM</sup> HIGH PERFORMANCE LOW-E UPGRADE
- BETWEEN THE GLASS OR EXTERIOR APPLIED GRIDS
- PAINTED EXTERIOR CUSTOM COLOR
- EXTRUDED BEIGE COLOR
- NAILING FIN ATTACHMENT
- SNAP-ON J-CHANNEL



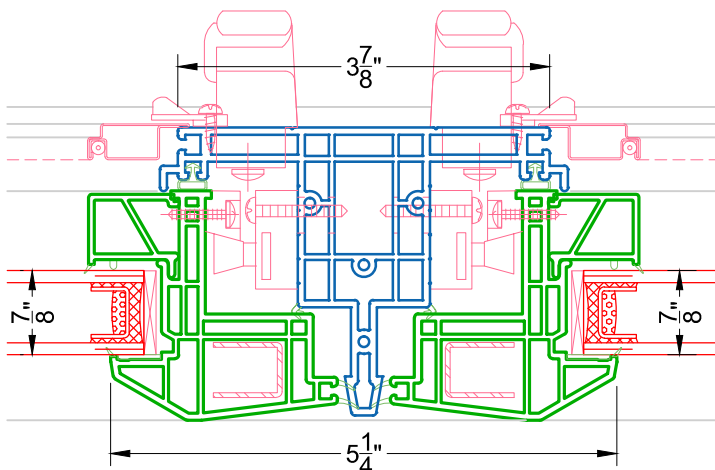
**T JAMB MULLION FOR  
 CONTINUOUS MASTER FRAME  
 COMBINATIONS  
 SEE PAGE 3**



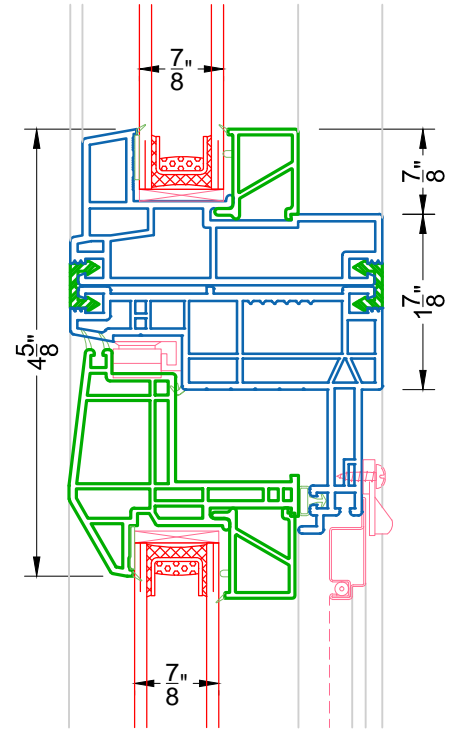
5 0 DEGREE MULLION  
 CA235 & PW211



6 T JAMB MULLION  
 CA235 & FIXED



7 T JAMB MULLION  
 CA235 & CA235



8 0 DEGREE MULLION  
 PW211 OVER CA235