

Series 245



Features

- Frame Depth = 3¼”
- Insulated Glass Unit Depth = 7⁄8”
- Soft Coat Low-E & Argon filled IGU
- Designer Beveled Sash
- Fusion Welded Frame & Sashes
- Continuous Polyethylene Rigid Seal
- Strong Multi-Chamber Construction
- Single Activator with Folding Handle

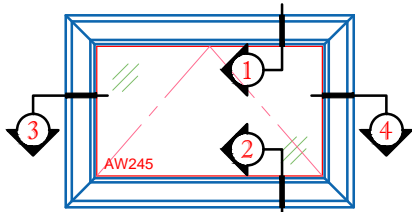
Options

- Extruded Beige Color
- Painted Exterior Custom Color
- Triple Glazed Insulated Glass Unit
- Performa TC™ High Performance Low-E Upgrade
- Between the Glass Grids or Exterior Applied Grids
- Nailing Fin Attachment
- Snap-On J Channel

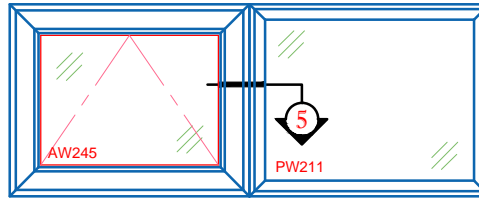


PRODUCT SPECS

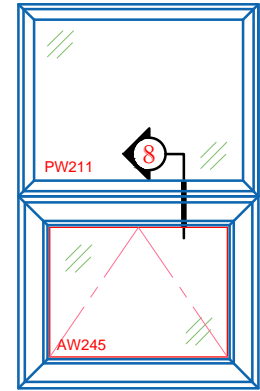
SERIES	STYLES	FRAME DEPTH	IG DEPTH	AAMA	ENERGY STAR	ENHANCED W/ PERFORMA TC™ GLASS PACKAGE
245	Awning	3¼”	7⁄8”			



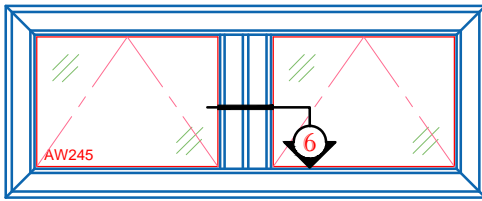
245 AWNING WINDOW



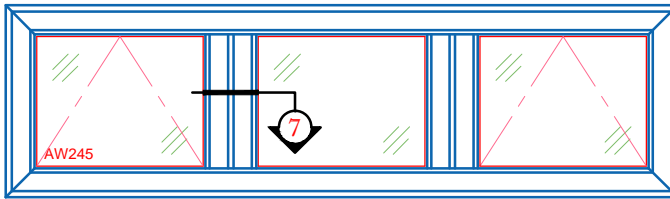
245 AWNING & PICTURE WINDOW 211



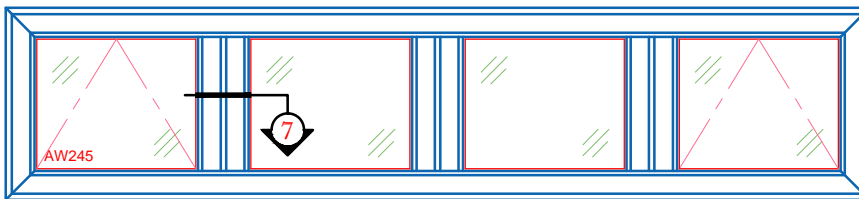
PW211 OVER AW245



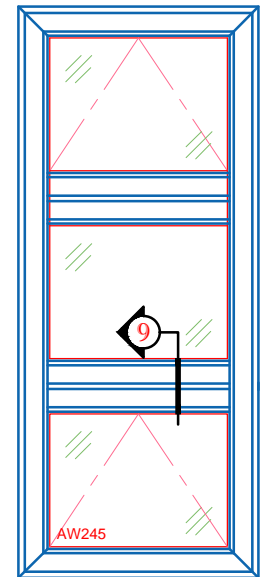
**245 AWNING CONTINUOUS MASTER FRAME
 TWO LITE**



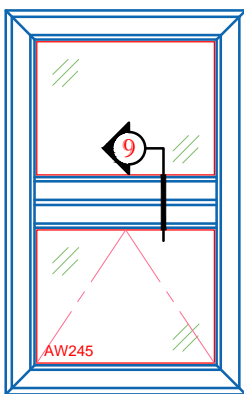
**245 AWNING CONTINUOUS MASTER FRAME
 THREE LITE**



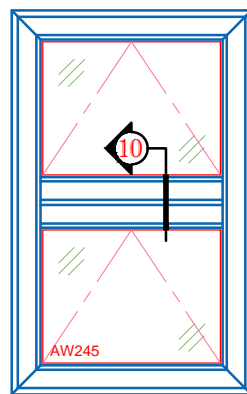
**245 AWNING CONTINUOUS MASTER FRAME
 FOUR LITE (UP TO FIVE LITE)**



**245 AWNING
 CONTINUOUS FRAME**



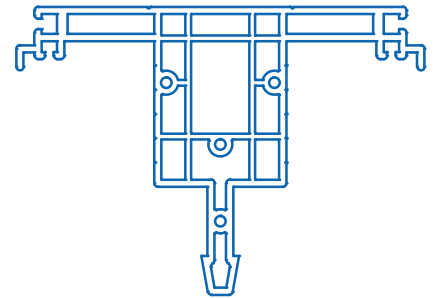
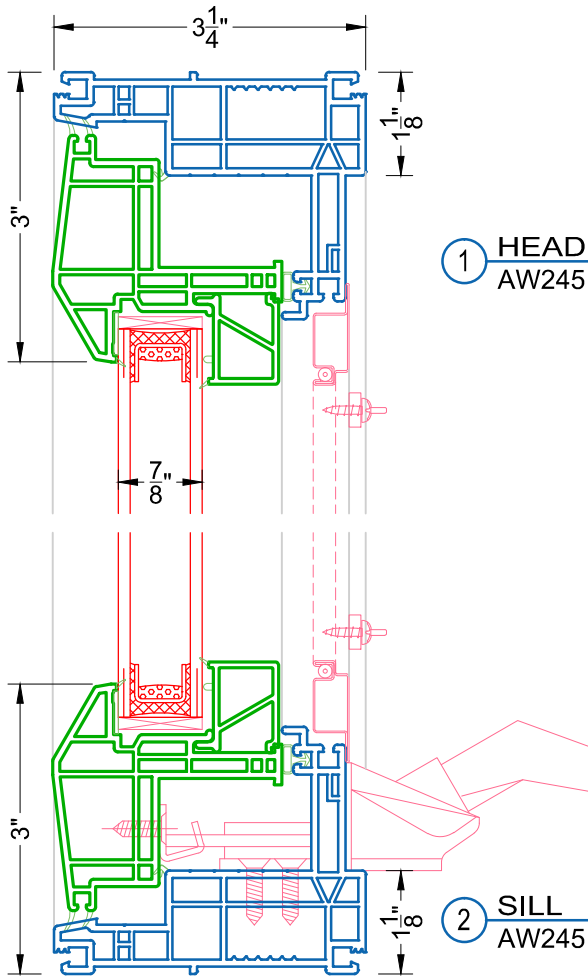
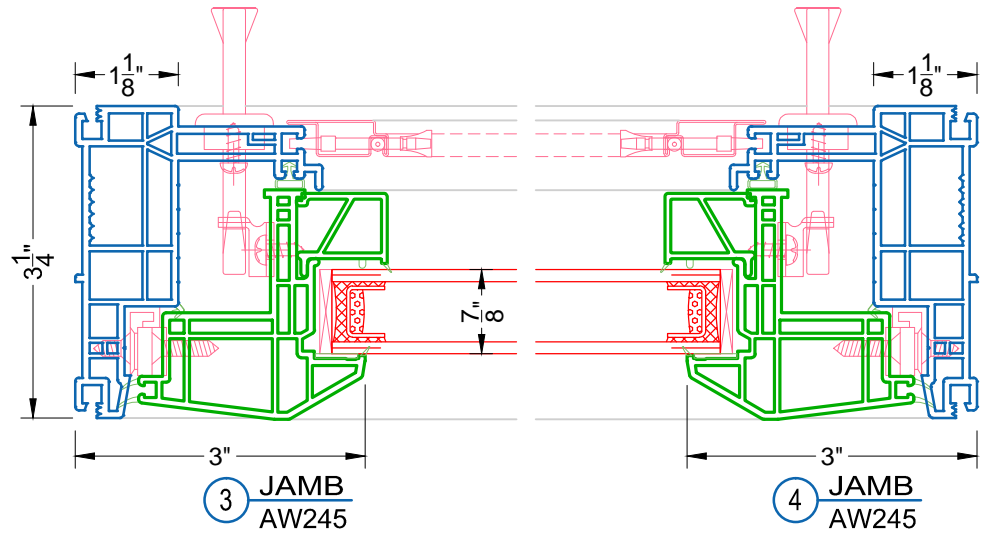
**245 AWNING
 CONTINUOUS FRAME**



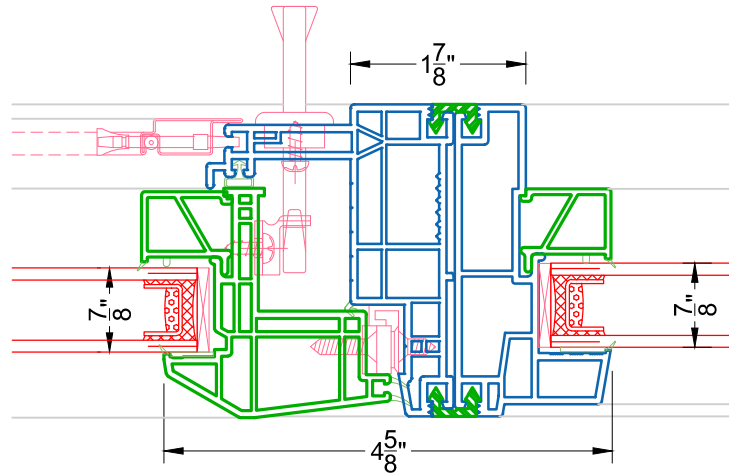
**245 AWNING
 CONTINUOUS FRAME**

- FEATURES**
- 3 1/4" FRAME DEPTH
 - 7/8" INSULATED GLASS
 - SOFT COAT LOW-E & ARGON FILLED IGU
 - FUSION WELDED FRAME & SASHES
 - CONTINUOUS POLYETHYLENE RIGID SEAL
 - STRONG MULTI-CHAMBER CONSTRUCTION
 - DESIGNER BEVELED SASH
 - SINGLE ACTIVATOR WITH FOLDING HANDLE

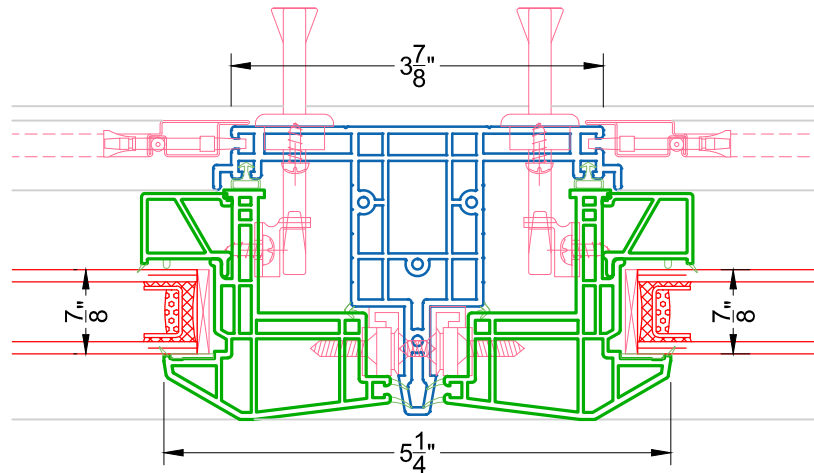
- OPTIONAL**
- TRIPLE-GLAZED INSULATED GLASS UNIT
 - PERFORMA TCTM HIGH PERFORMANCE LOW-E UPGRADE
 - BETWEEN THE GLASS OR EXTERIOR APPLIED GRIDS
 - PAINTED EXTERIOR CUSTOM COLOR
 - EXTRUDED BEIGE COLOR
 - NAILING FIN ATTACHMENT
 - SNAP-ON J-CHANNEL



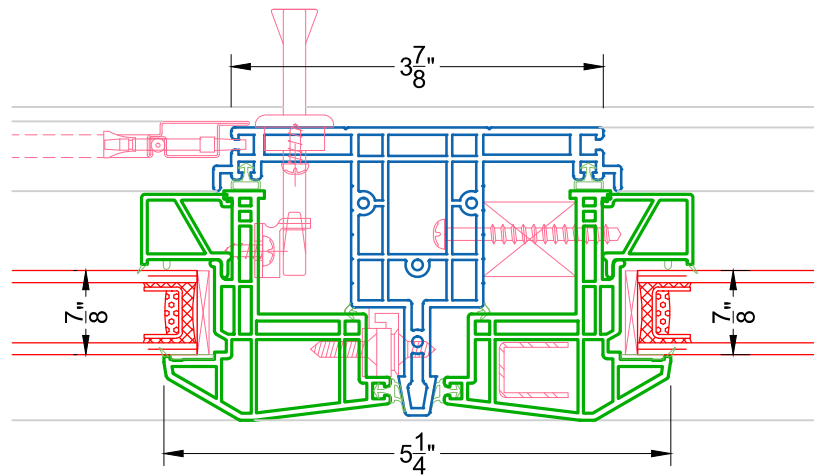
**T JAMB MULLION FOR
 CONTINUOUS MASTER FRAME
 COMBINATIONS
 SEE PAGE 3 & 4**



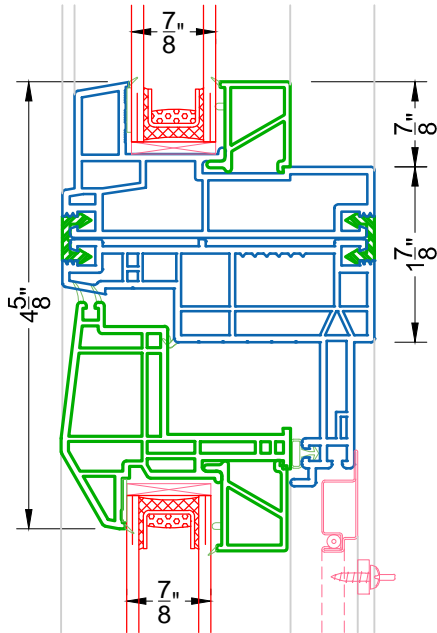
5 0 DEGREE MULLION
 AW245 & PW211



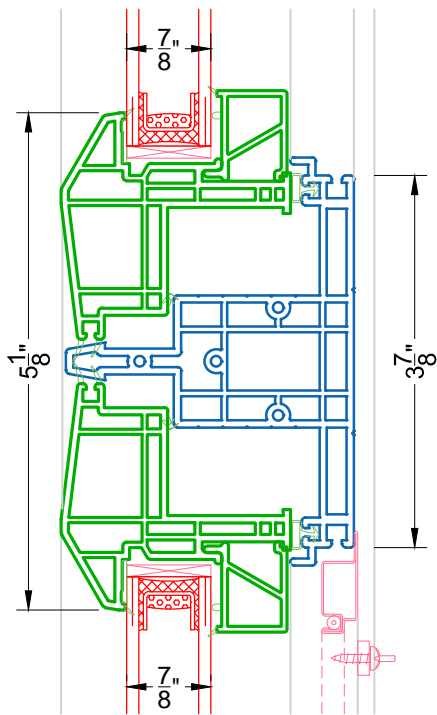
6 T JAMB MULLION
 AW245 & AW245



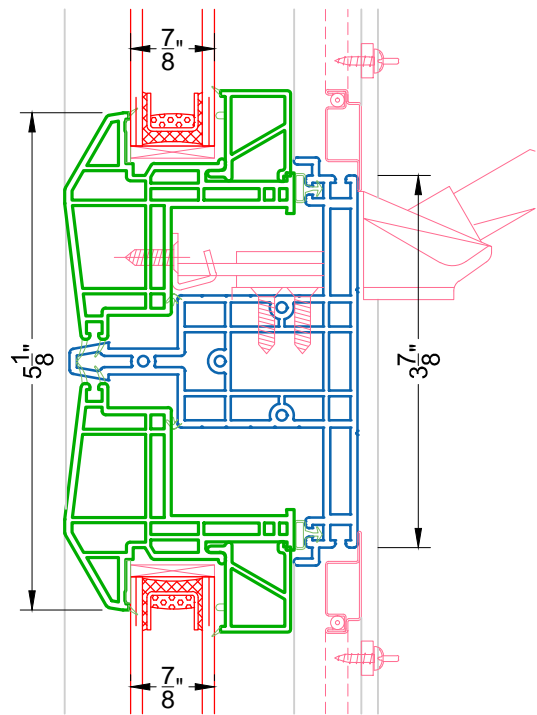
7 T JAMB MULLION
 AW245 & FIXED



8 0 DEGREE MULLION
 PW211 OVER CA235



9 T MULLION
 FIXED OVER AW245



10 T MULLION
 AW245 OVER AW245