

Series 100



Features

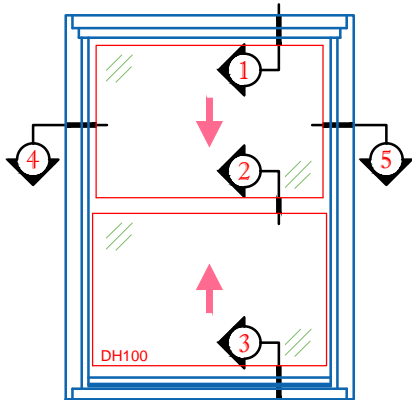
- **Frame Depth = 3¹/₄"**
- **Insulated Glass Unit Depth = 7⁷/₈"**
- **Soft Coat Low-E & Argon filled IGU**
 - *Maximizes energy efficiency*
- **Constant Force Balances**
- **Tilt Sashes**
 - *For safe, easy cleaning of both sashes*
- **Full Width Ergonomic Lift Rail**
 - *Comfortable & Easy Operation*
- **Dual Vent Locks**
- **Perimeter Foam Wrap**
- **Butterfly Jamb Adjuster**
 - *Large surface adjustable "Shim" plate*

Options

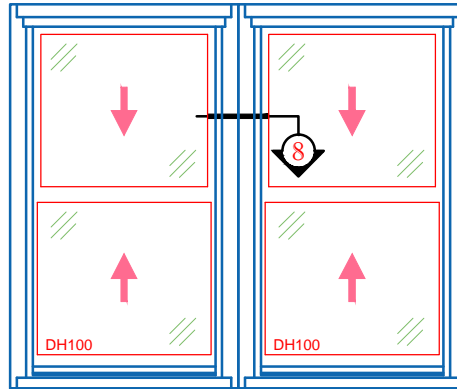
- **Triple Glazed Insulated Glass Unit**
- **Performa TC™ High Performance Low-E Upgrade**
- **Between the Glass Grids**
- **Spiral Balances**



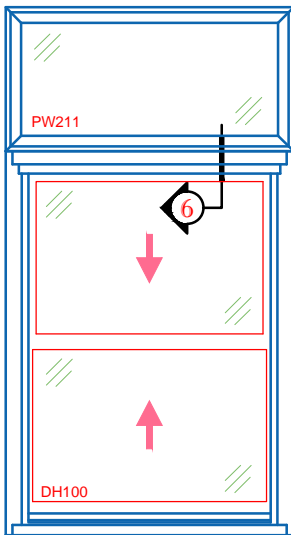
PRODUCT SPECS	SERIES	STYLES	FRAME DEPTH	IG DEPTH	AAMA	ENERGY STAR	ENHANCED W/ PERFORMA TC™ GLASS PACKAGE
	100	Double Hung Tilt	3 ¹ / ₄ "	7 ⁷ / ₈ "		0.33	



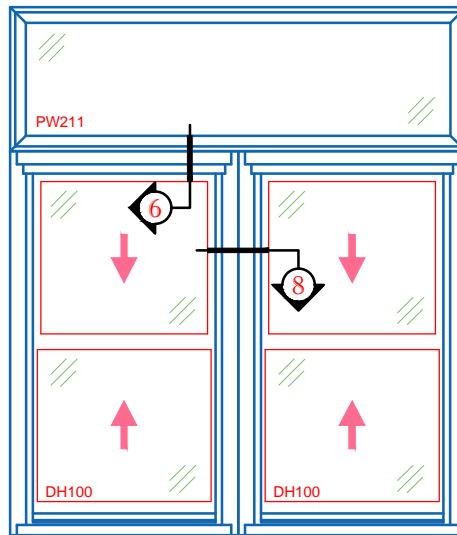
100 DOUBLE HUNG



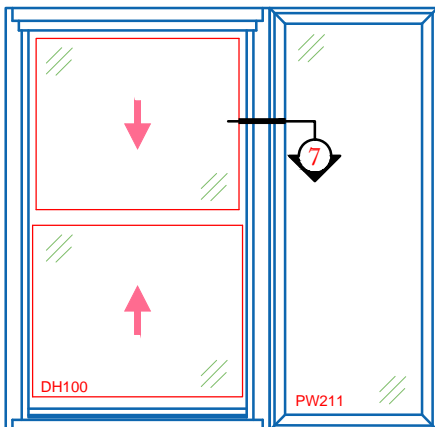
100 DOUBLE HUNG W/ H MULLION



**PICTURE WINDOW OVER
 DH 100**



PICTURE WINDOW OVER DH 100



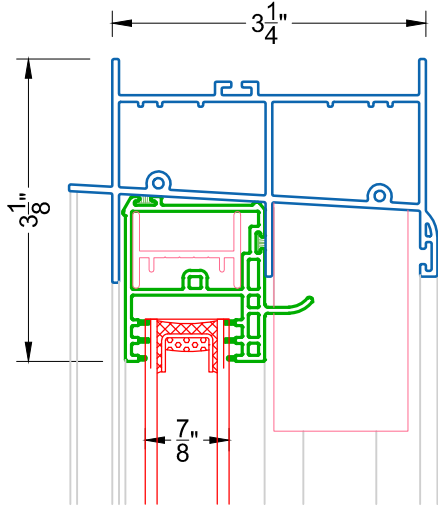
**100 DOUBLE HUNG
 W/ PICTURE WINDOW**

FEATURES

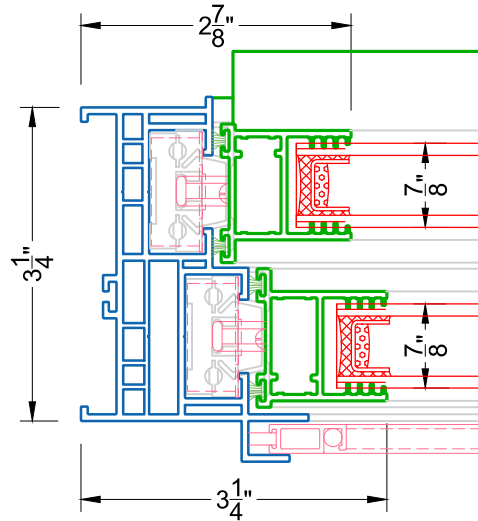
- 3 1/4" FRAME DEPTH
- 7/8" INSULATED GLASS
- SOFT COAT LOW-E & ARGON FILLED IGU
- CONSTANT FORCE BALANCES
- TILT SASHES
- FULL WIDTH ERGONOMIC LIFT RAIL
- DUAL VENT LOCKS
- PERIMETER FOAM-WRAP
- BUTTERFLY JAMB ADJUSTER

OPTIONAL

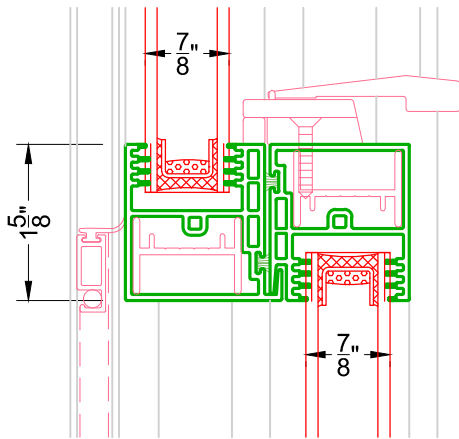
- TRIPLE-GLAZED INSULATED GLASS UNIT
- PERFORMA TCTM HIGH PERFORMANCE LOW-E UPGRADE
- BETWEEN THE GLASS GRIDS
- SPIRAL BALANCES



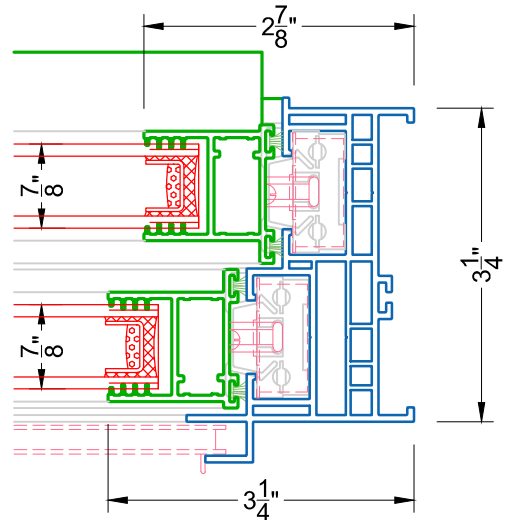
1 STANDARD HEAD
 DH 100



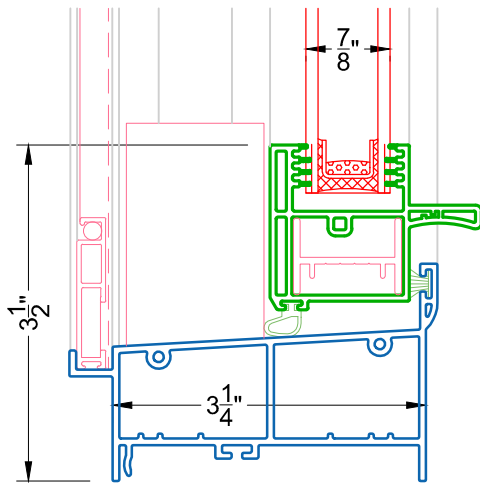
4 STANDARD JAMB
 DH 100



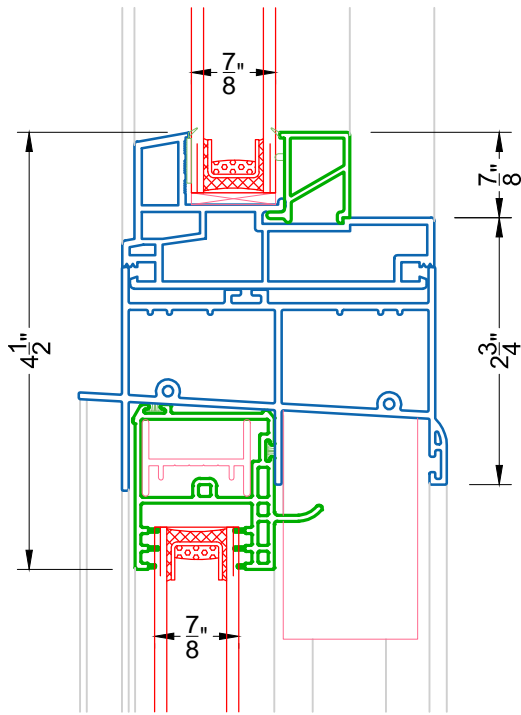
2 MEETING RAIL
 DH 100



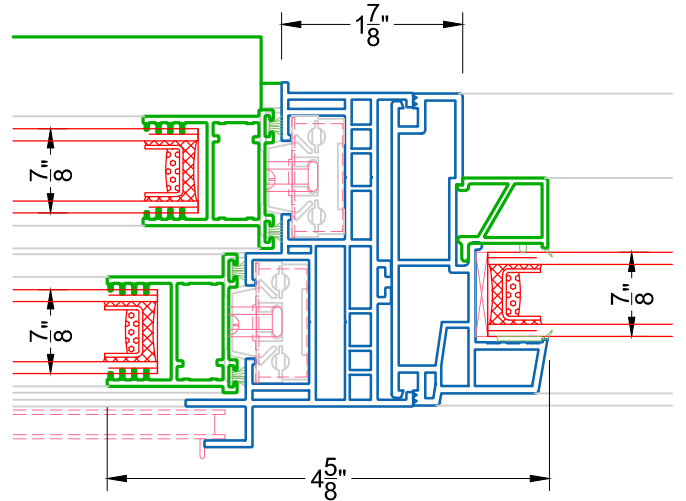
5 STANDARD JAMB
 DH 100



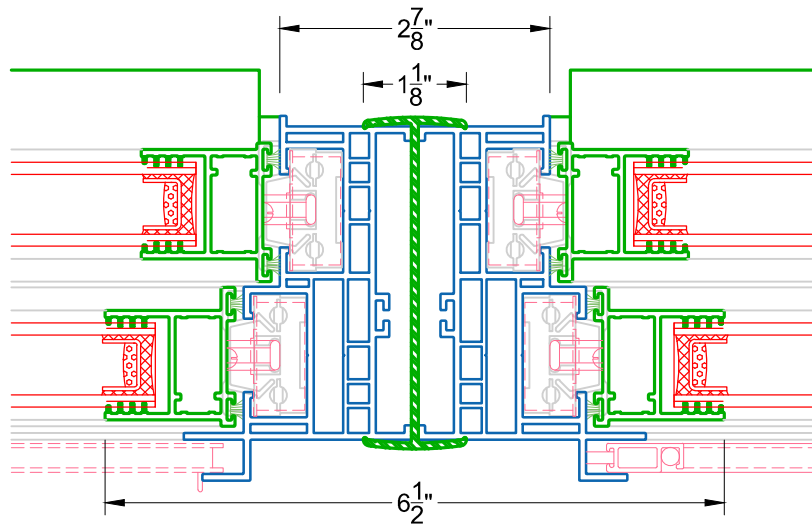
3 STANDARD SILL
 DH 100



6 PICTURE WINDOW
 OVER DH 100



7 PICTURE WINDOW
 AND DH 100



8 H MULLION
 DH 100 & DH 100