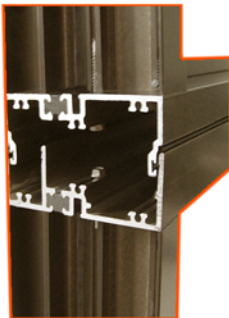


Series 5100



Features

- **Frame Depth = 3 1/4"**
- **Heavy Duty Extrusion - 0.080" thick**
- **Insulated Glass Unit Depth = 1"**
 - *Optimum insulation & sound reduction*
- **AAMA 2604 Powder Coat Finish**
 - *The durable finish that's also environmentally friendly*
- **Male & Female Mulling System**

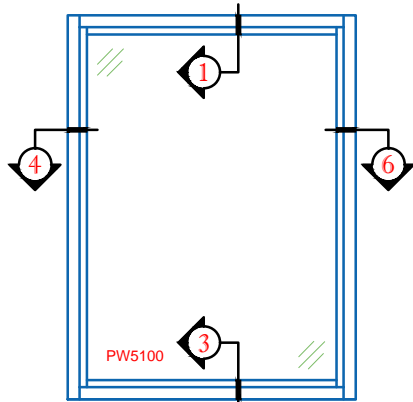


CTP-5100 AW-rated fixed windows feature a unique mulling system that's built into the window master frame. This eliminates the need for separate mullion pieces, thus cutting down installation time and costs without compromising overall unit integrity

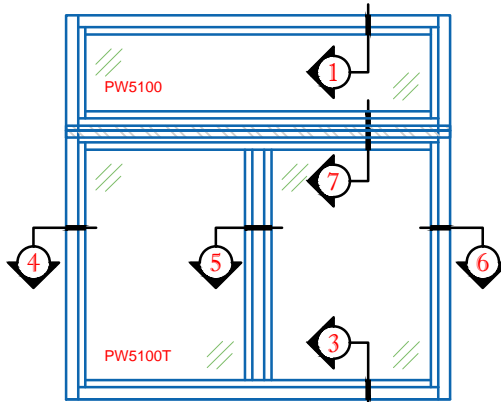
Options

- **Low-E Coating & Argon**
 - *Enhances energy efficiency*
- **1" Insulated Glass Unit**
- **Between-the-Glass or Exterior Applied Grids**
- **Custom Colors & Finishes**
- **Panning & Interior Trim**
- **Architectural Shapes**

| PRODUCT SPECS | SERIES | STYLES | FRAME DEPTH | IG DEPTH | AAMA RATING | AIR (cfm/ft ²) | WATER (psf) | UNIFORM LOAD (psf) | WALL THICKNESS (frame/sill) |
|---------------|--------|--------|---------------|----------|-------------|----------------------------|-------------|--------------------|-----------------------------|
| | | 5100 | Picture Fixed | 3 1/4" | 1" | F-AW100 | < 0.30 | 12 | 150 |



5100 PICTURE WINDOW



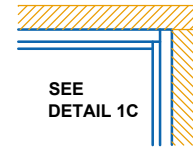
5100 OVER 5100T

OPTIONAL FRAME



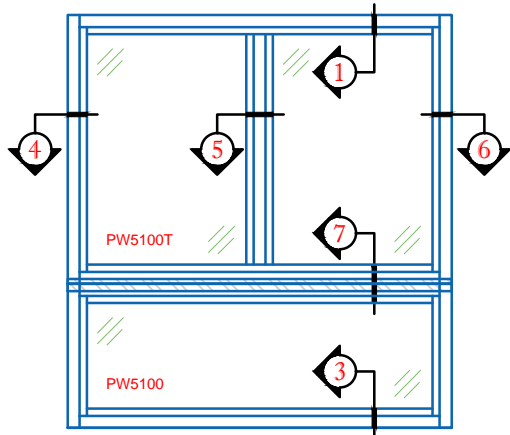
SEE
 DETAIL 1B

1 1/2" FLANGE FRAME

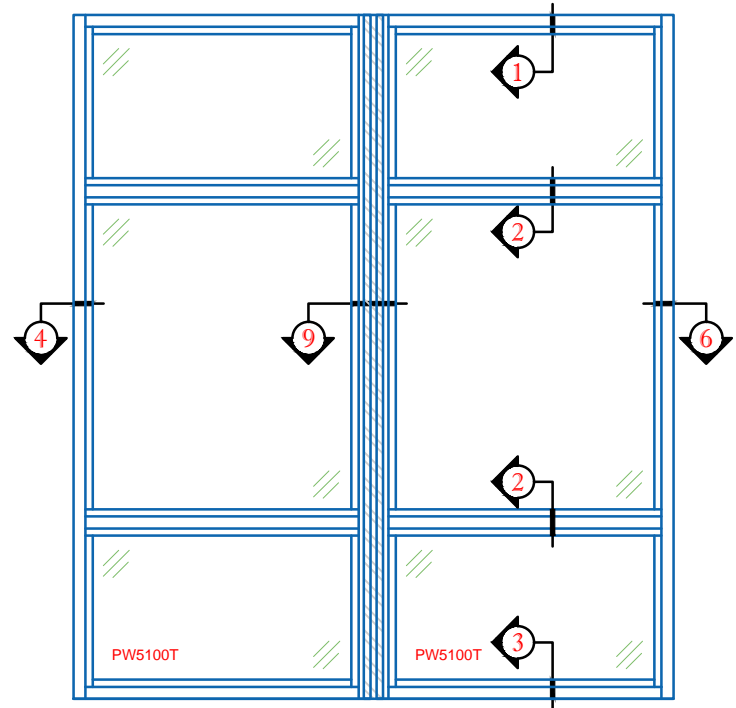


SEE
 DETAIL 1C

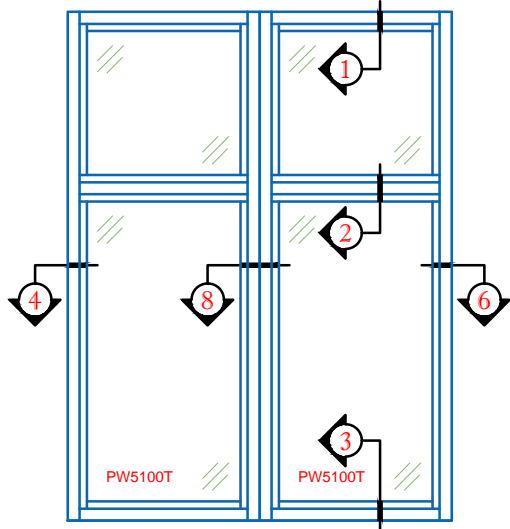
2 1/2" FLANGE FRAME



5100T OVER 5100



5100T W/ 3PC MULLION

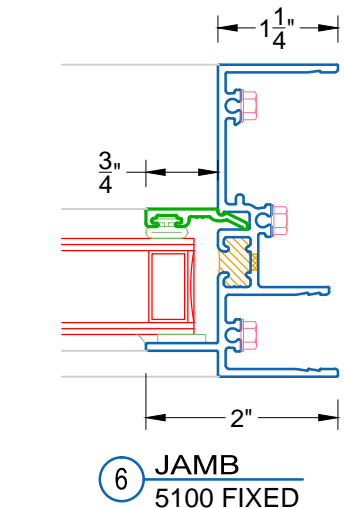
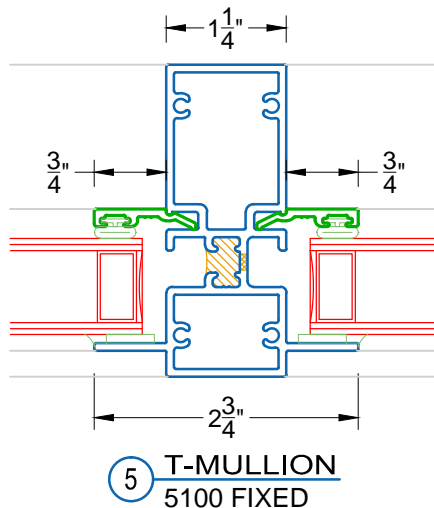
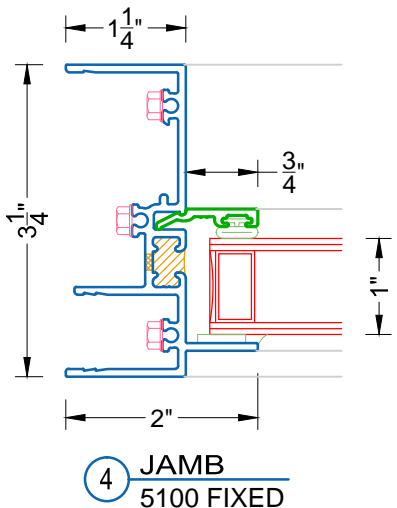
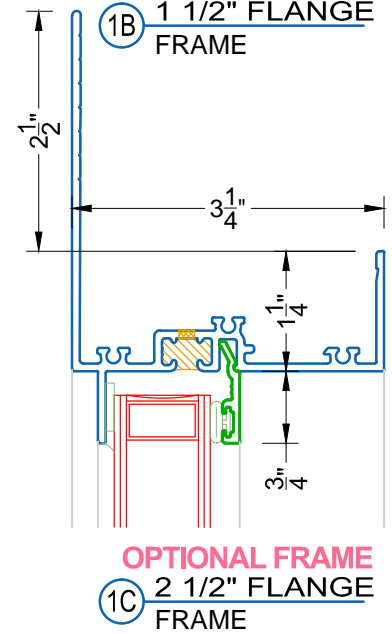
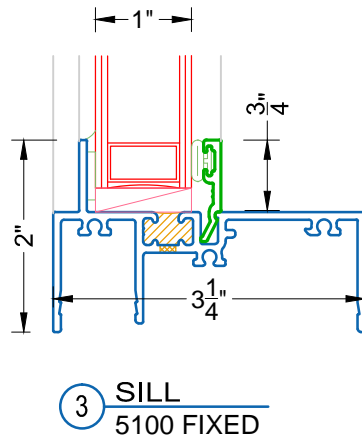
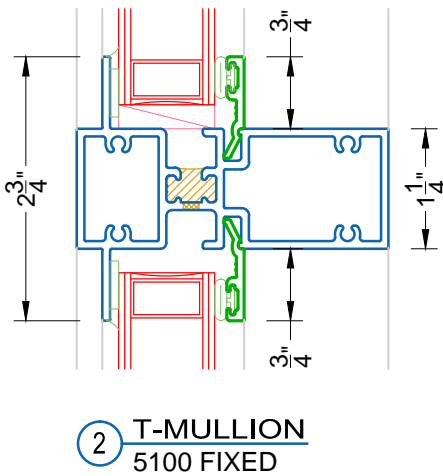
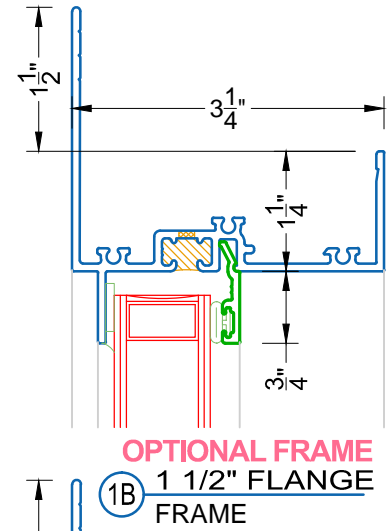
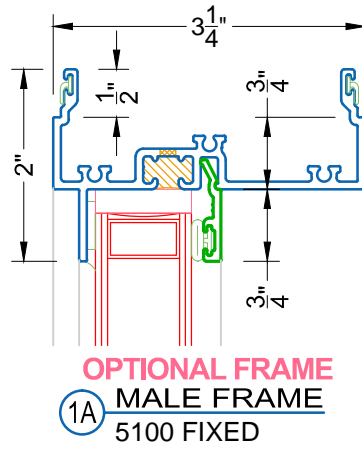
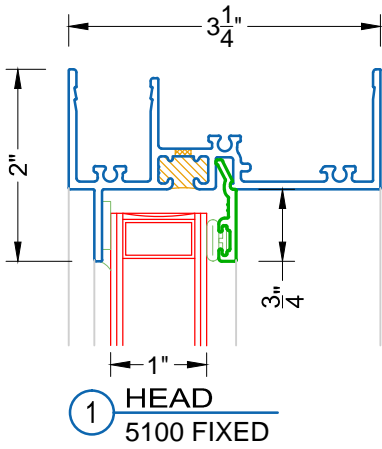


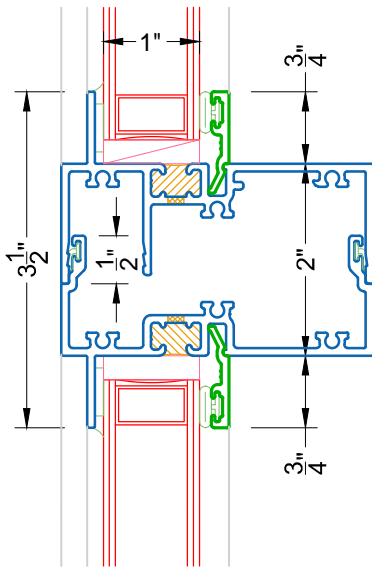
5100T W/ H MULLION

- FEATURES**
- 3 1/4" FRAME DEPTH
 - 1" INSULATED GLASS
 - HEAVY-DUTY EXTRUSION
 - DOUBLE STRENGTH GLASS
 - POWDER COAT PAINT
 - AAMA RATING F-AW100

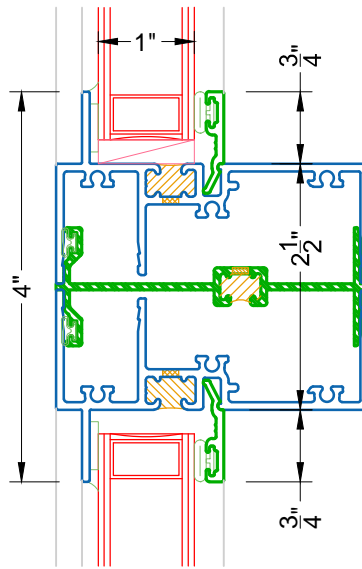
- OPTIONAL**
- LOW-E COATING & ARGON GAS
 - CONTINUOUS MASTER FRAME DESIGN
 - 1 1/2" & 2 1/2" FLANGE FRAME MALE FLANGE FRAME
 - CUSTOM COLORS & FINISHES
 - BETWEEN THE GLASS & APPLIED GRID

VER: 2014.01

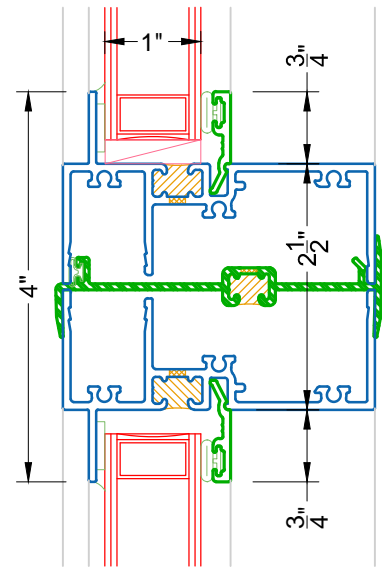




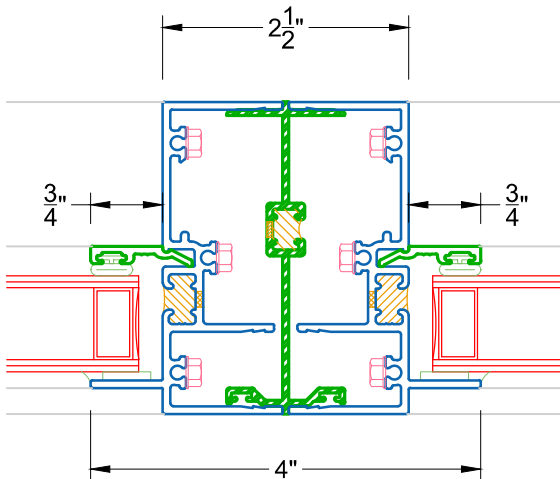
7 5100 OVER 5100
 MALE FRAME



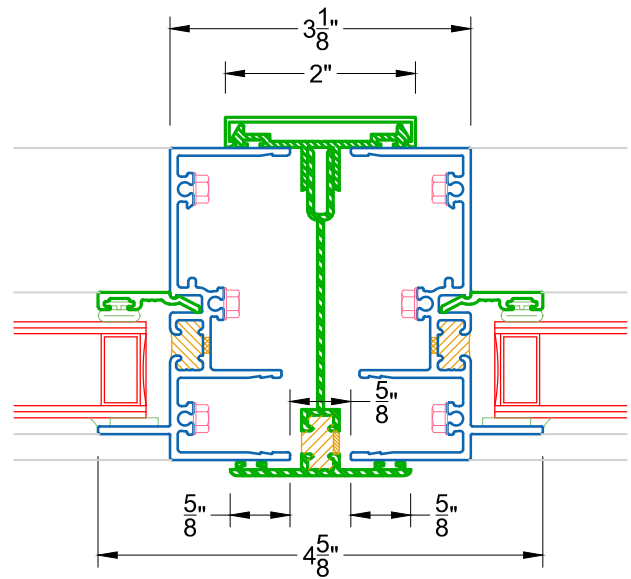
ALTERNATE OF 7
 7A 5100 OVER 5100
 H MULLION



ALTERNATE OF 7
 7B 5100 OVER 5100
 STACK MULLION



8 5100 & 5100
 H MULLION



9 5100 & 5100
 3 PC MULLION