

Series 6100



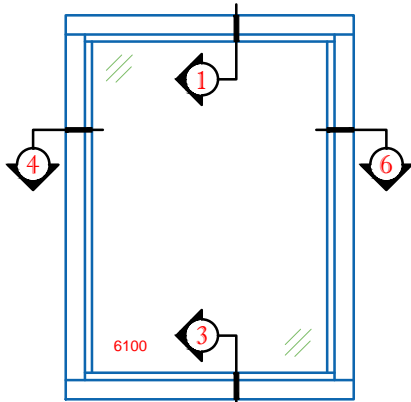
Features

- **Frame Depth = 4 1/4"**
- **Heavy-Duty Extrusion**
 - *Sill frame is 0.125" thick*
- **Insulated Glass Unit Depth = 1"**
 - *Enhanced insulation & sound reduction*
- **Beveled "Puty Line Look" Styling**
- **AAMA 2604 Powder Coat Finish**

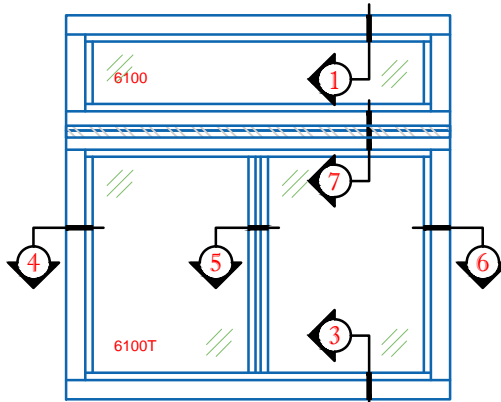
Options

- **Low-E Coating & Argon**
 - *Enhances energy efficiency*
- **Between-the-Glass or Exterior Applied Grids**
- **Custom Colors & Finishes**
- **Casement Fin**
- **Receptor System & Subsill**
- **Custom Accessories Available**

PRODUCT SPECS	SERIES	STYLES	FRAME DEPTH	IG DEPTH	AAMA RATING	AIR (cfm/ft ²)	WATER (psf)	UNIFORM LOAD (psf)	WALL THICKNESS (frame/sill)
	6100	Picture Fixed	4 1/4"	1"	AW-PG75	< 0.30	12	127	0.075



6100 PICTURE WINDOW



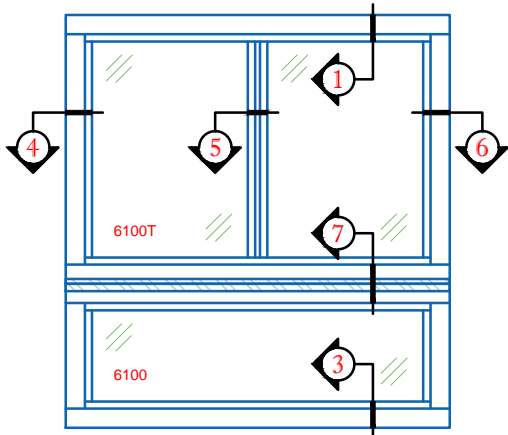
6100 OVER 6100T W/ STACK MULLION

OPTIONAL FRAME

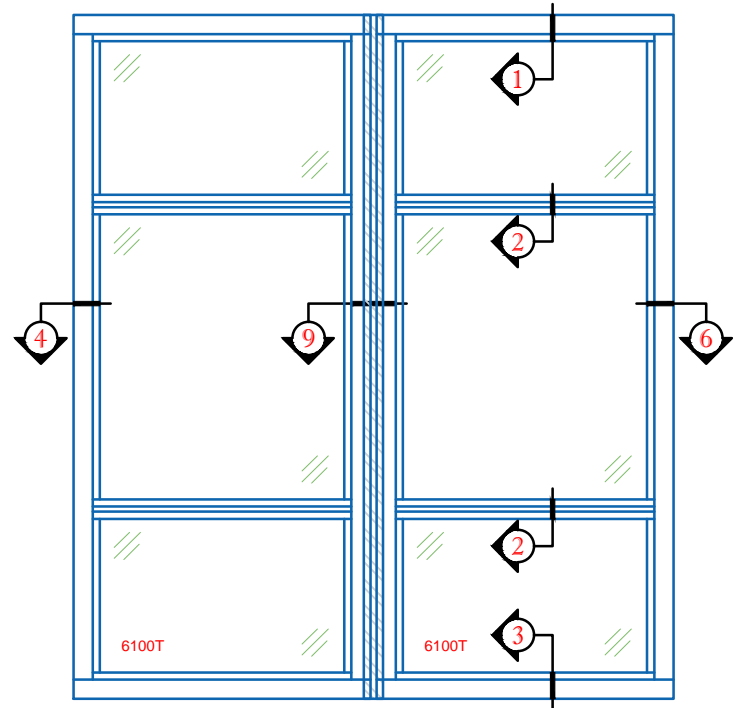


SEE
 PAGE 4

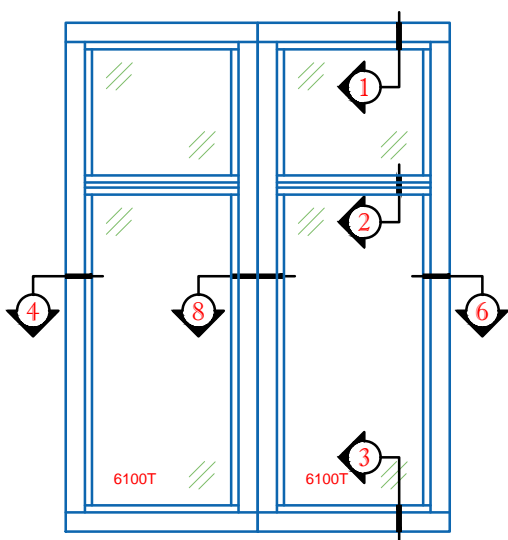
2¹/₂" FLANGE FRAME



6100T OVER 6100
 W/ STACK MULLION



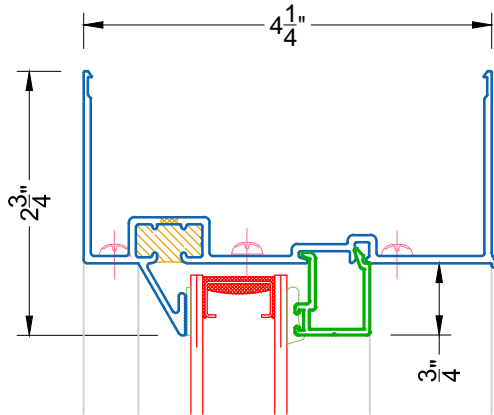
6100T W/ 3PC MULLION



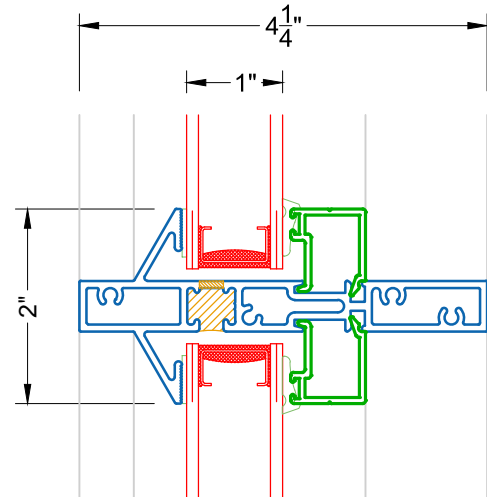
6100T W/ H MULLION

- FEATURES**
- 4 1/4" FRAME DEPTH
 - 1" INSULATED GLASS
 - HEAVY-DUTY EXTRUSION
 - DOUBLE STRENGTH GLASS
 - POWDER COAT PAINT
 - AAMA RATING F-AW75

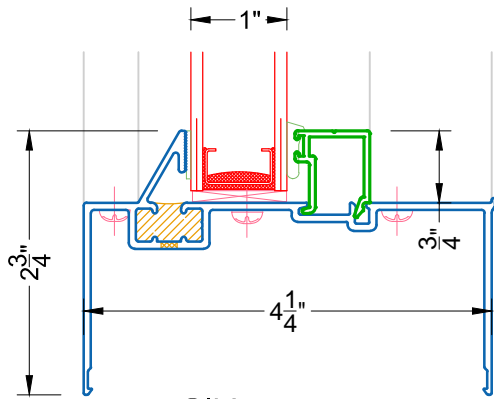
- OPTIONAL**
- LOW-E COATING & ARGON GAS
 - CONTINUOUS MASTER FRAME DESIGN
 - 2¹/₂" FLANGE FRAME
 - CUSTOM COLORS & FINISHES
 - BETWEEN THE GLASS & APPLIED GRID



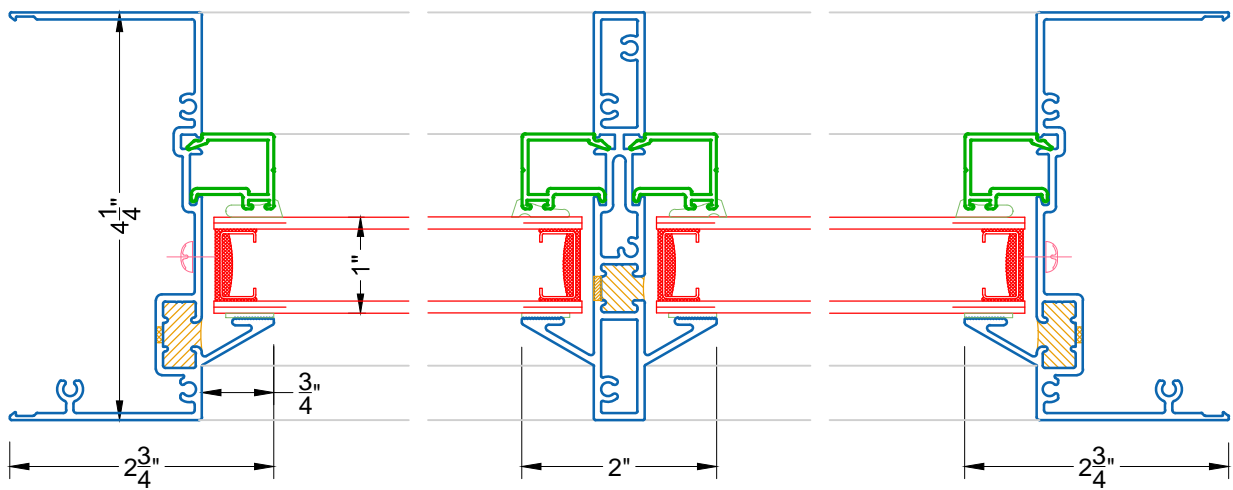
1 HEAD
 6100 FIXED



2 T-MULLION
 6100 FIXED



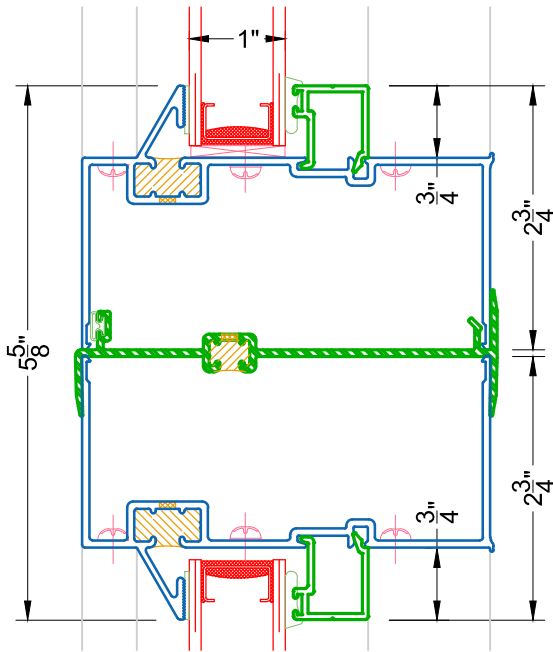
3 SILL
 6100 FIXED



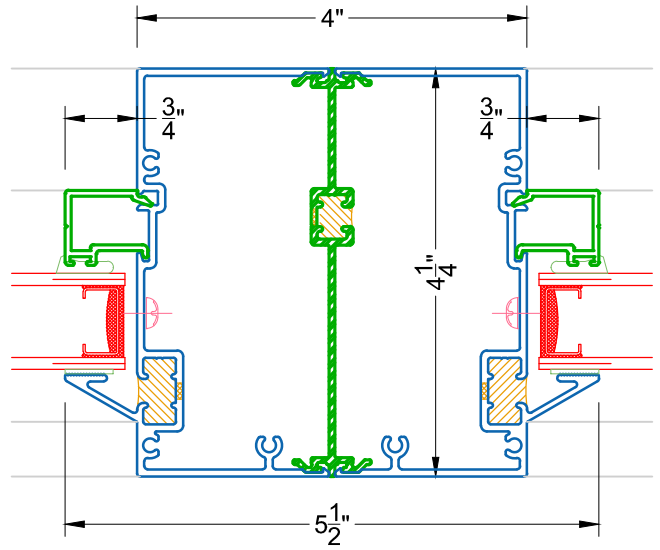
4 JAMB
 6100 FIXED

5 T-MULLION
 6100 FIXED

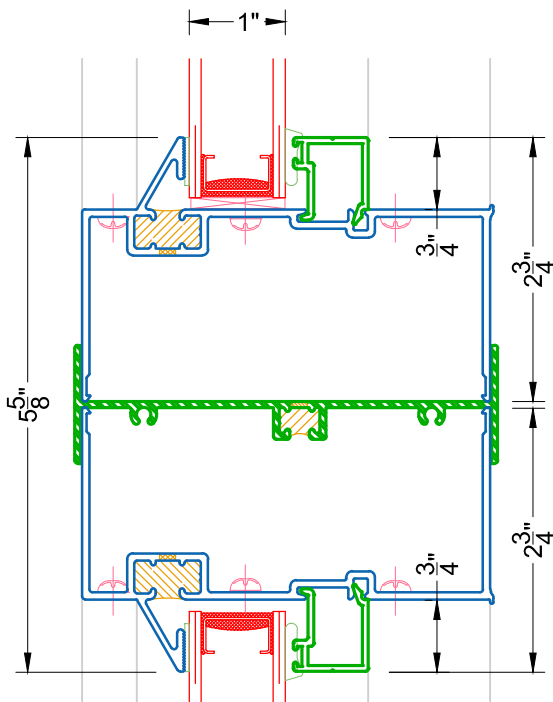
6 JAMB
 6100 FIXED



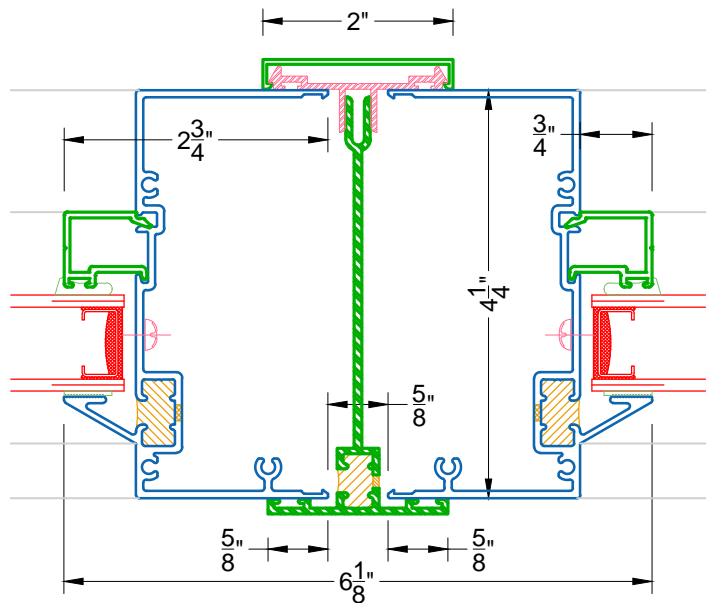
7 6100 OVER 6100
 STACK MULLION



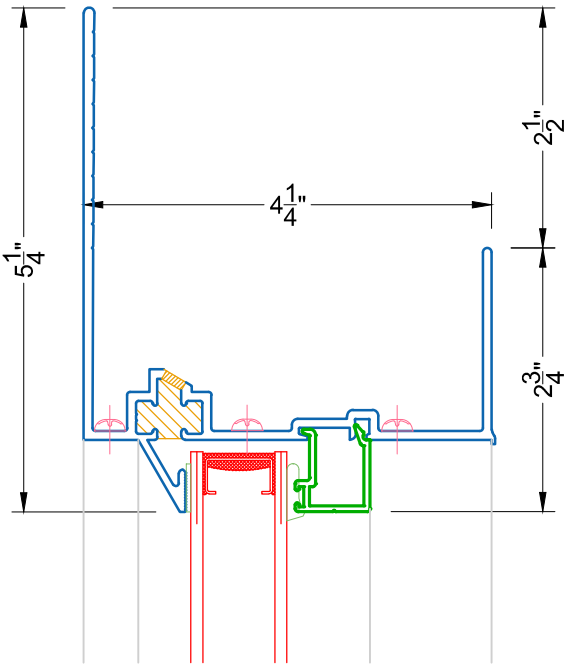
8 6100 & 6100
 H MULLION



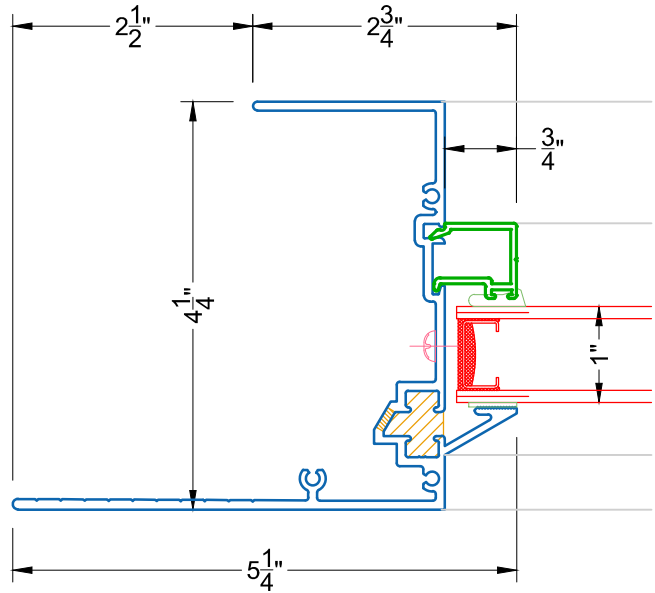
ALTERNATE OF 7
 7A 6100 OVER 6100
 EXTERIOR H MULLION



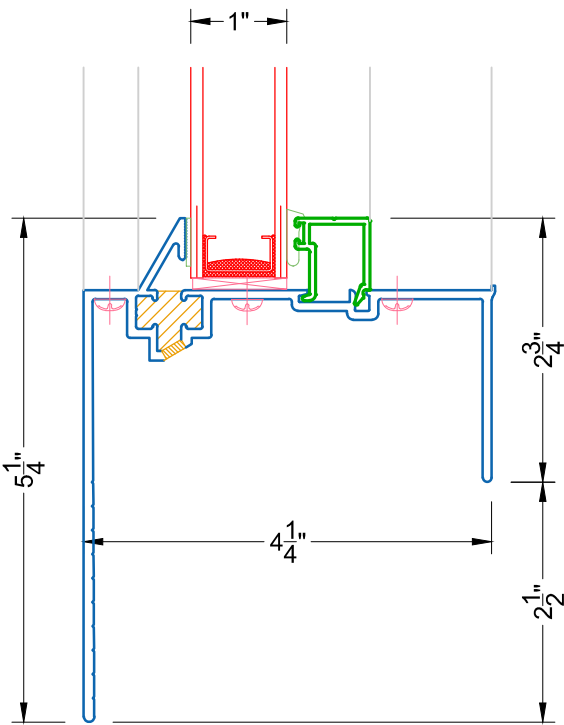
9 6100 & 6100
 3 PC MULLION



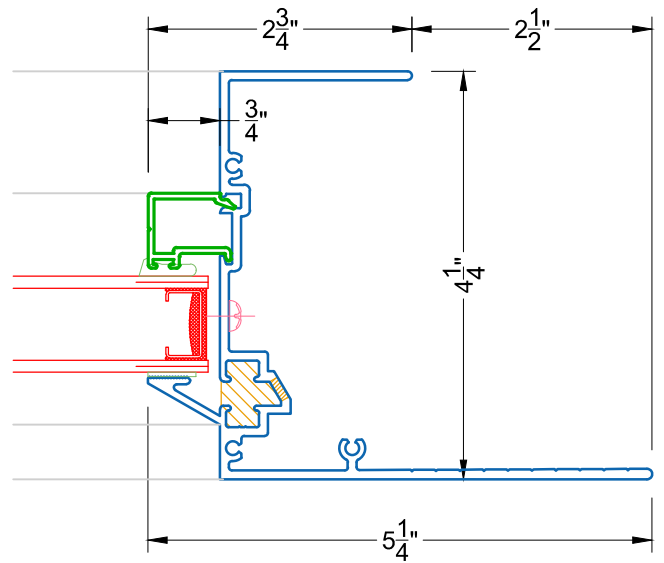
21 HEAD W. 2" FLANGE
 6100 FIXED



23 JAMB W. 2" FLANGE
 6100 FIXED



22 SILL W. 2" FLANGE
 6100 FIXED



24 JAMB W. 2" FLANGE
 6100 FIXED