

## SERIES 2700 DOUBLE HUNG WINDOW

TEST SIZE W X H	AAMA RATING	AIR INFILTRATION	DESIGN PRESSURE	WATER RESISTANCE	U-FACTOR	SHGC	VT
56" x 91"	CW-PG50*	≤0.30 cfm/ft <sup>2</sup>	50 psf	7.5 psf	0.33-0.59	0.18-0.58	0.32-0.61
60" x 99"	AW-PG50	≤0.30 cfm/ft <sup>2</sup>	50 psf	10 psf			

### TABLE OF CONTENT

- CW SECTION DETAIL -P2
- AW SECTION DETAIL -P3
- FIXED SECTION DETAIL -P4
- MULLION DETAIL -P5-P6
- FRAME OPTIONS -P7-P9

### FEATURES

- WIDE ALUMINUM THERMAL BREAK WINDOW
- 3-1/4" FRAME DEPTH
- 1" DOUBLE PANE INSULATED GLASS
- AAMA 2604 POWDER COAT PAINT
- EQUAL SITELINE DESIGN
- CONTINUOUS WEATHERSTRIP AT MEETING RAIL
- CONTINUOUS SNAP LATCH AT HEAD AND SILL
- 13LBS WINDOW SILL
- SURFACE MOUNTED METAL TILT LATCH

### AW FEATURES

- STEEL REINFORCEMENT ON LOCK RAIL
- CONCEALED TILT LATCH AT LOCK RAIL
- ANTI-BOW PIN

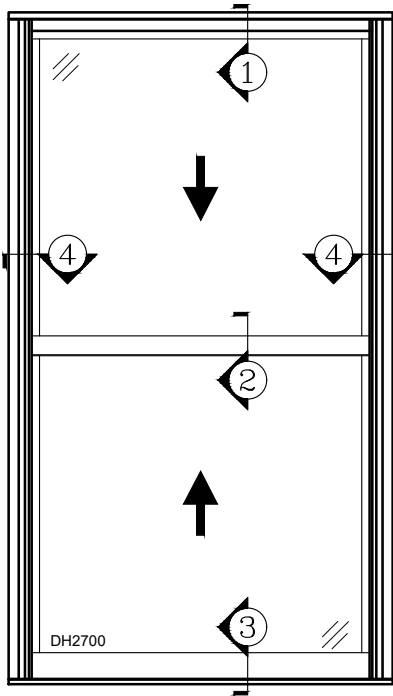
### OPTIONAL SELECTIONS

- LOW-E COATING & ARGON FILLED IGU
- CUSTOM FINISH AND CUSTOM COLORS
- GRIDS
- HALF OR FULL SCREEN
- MEETING RAIL SWEEP LOCK
- BLOCK & TACKLE OR ULTRA LIFT
- OTHER OPTIONAL ACCESSORIES

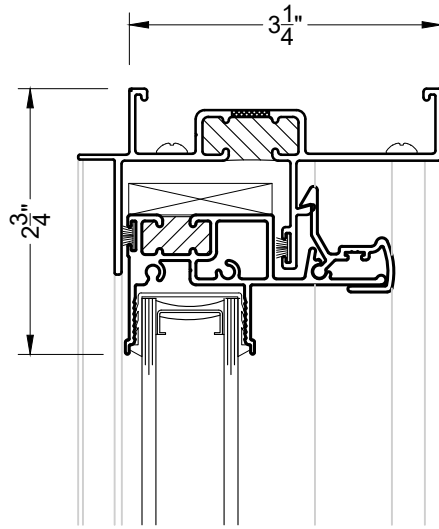
VER: 2022.11

TESTING RESULT IS PENDING .  
 PLEASE CONTACT YOUR SALES REP.  
 FOR MORE INFORMATION

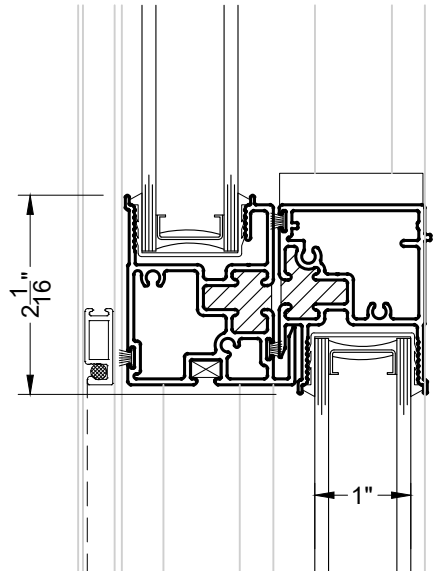
CW SERIES



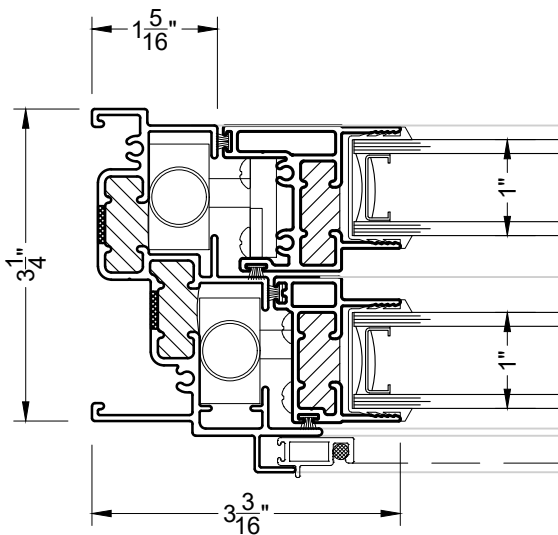
2700 DOUBLE HUNG WINDOW



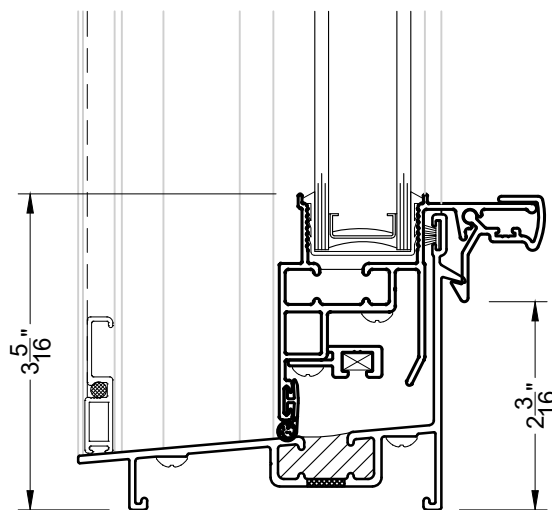
① HEAD  
DH2700



② MEETING RAIL  
DH2700

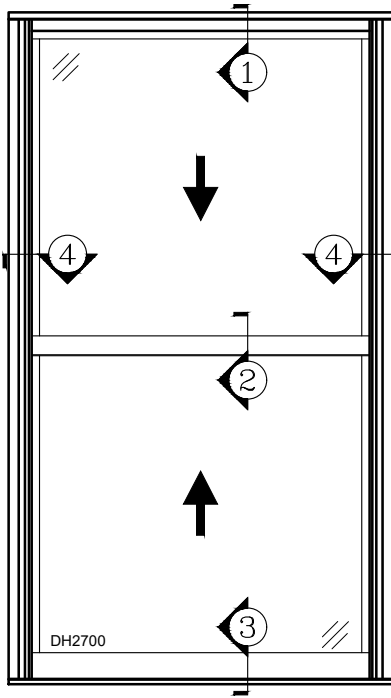


④ JAMB  
DH2700

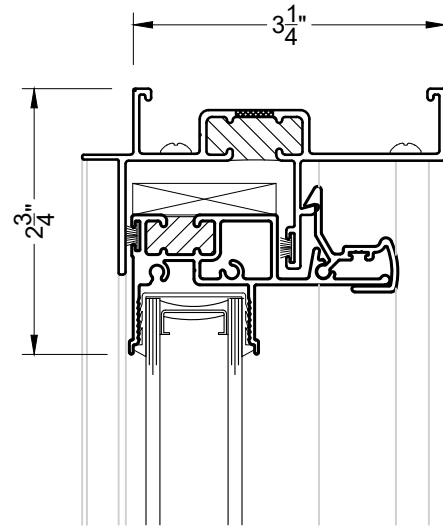


③ SILL  
DH2700

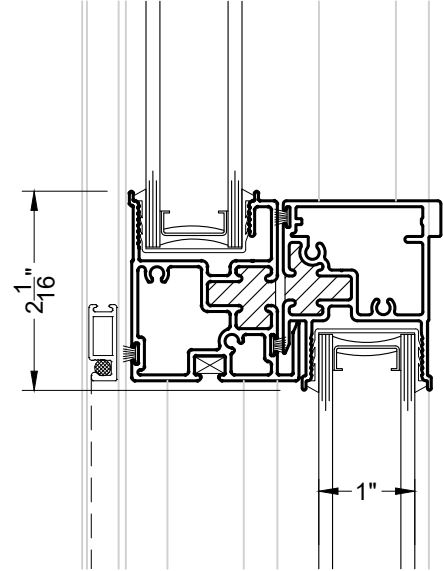
AW SERIES



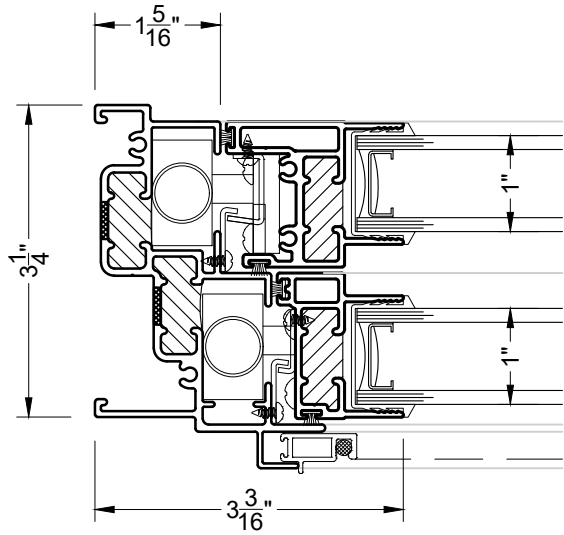
2700 DOUBLE HUNG WINDOW



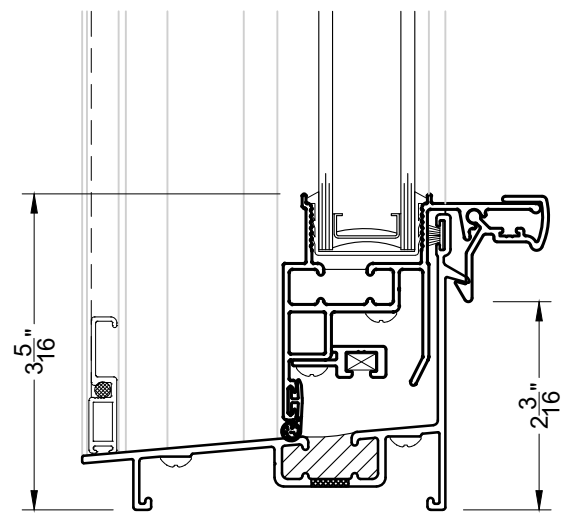
① HEAD  
DH2700



②A MEETING RAIL  
DH2700



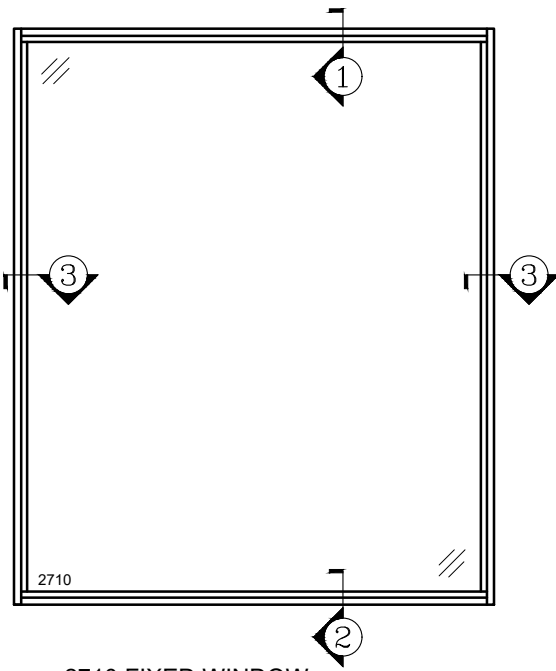
④A JAMB  
DH2700



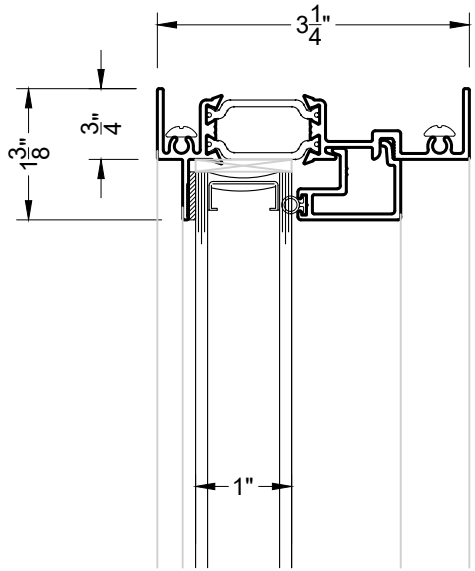
③ SILL  
DH2700

VER: 2022.11

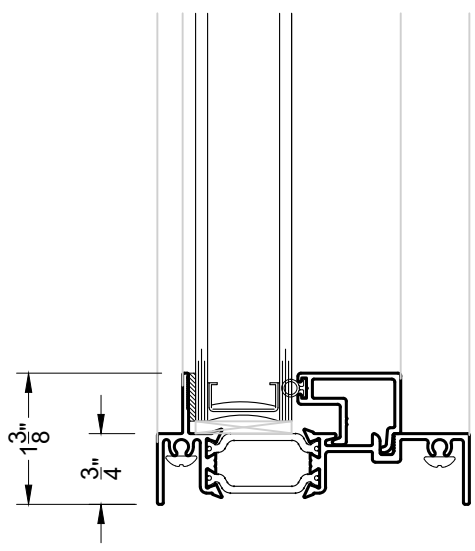
FIXED



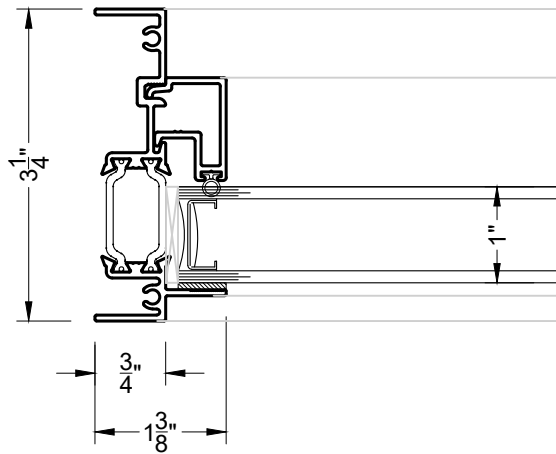
2710 FIXED WINDOW



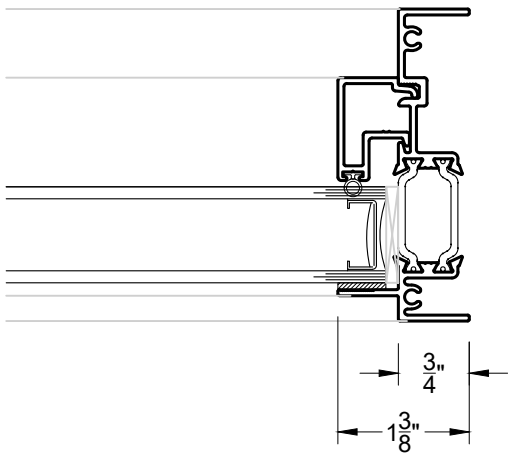
① HEAD  
2710



② SILL  
2710

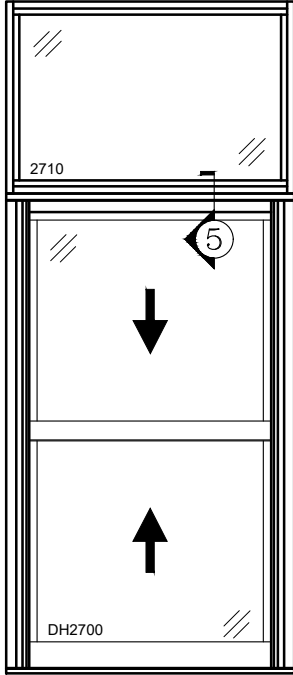


③ JAMB  
2710

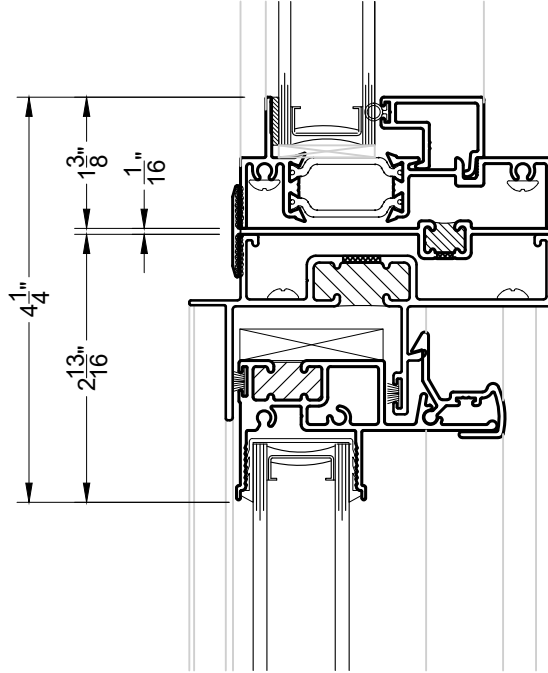


③ JAMB  
2710

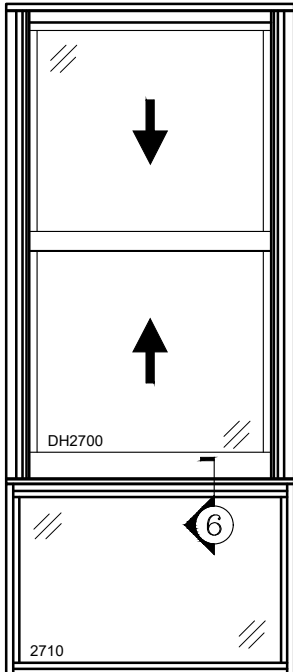
VER: 2022.11



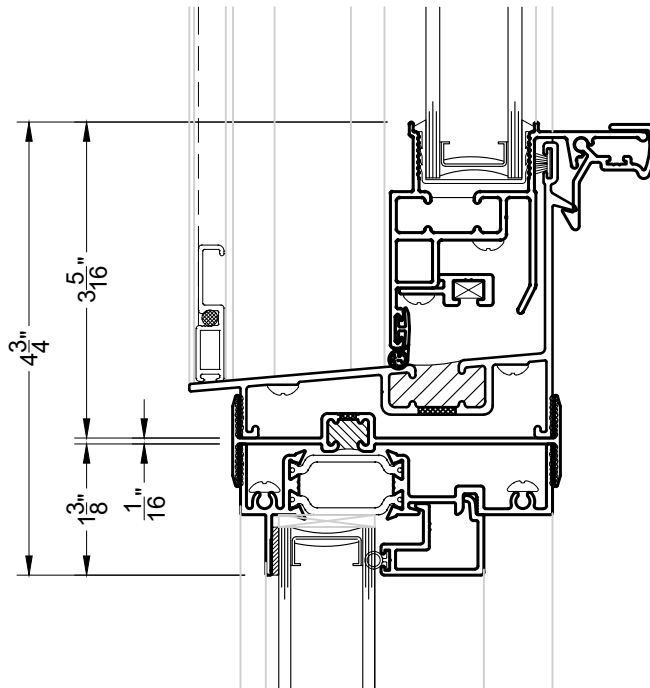
2710 OVER DH2700



5 H MULLION RIGHT  
 2710 OVER DH2700

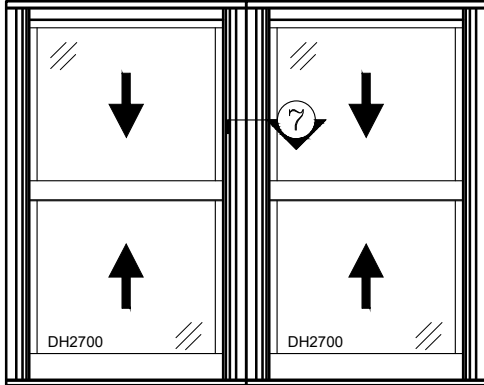


DH2700 OVER 2710

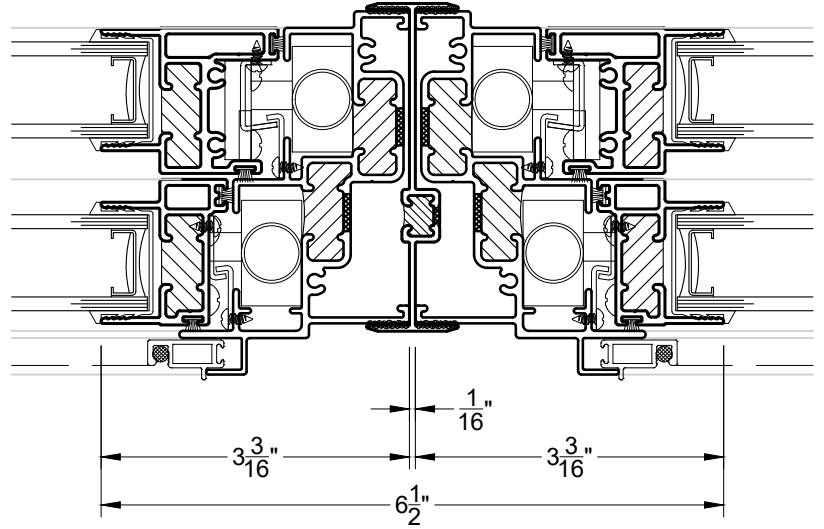


6 H MULLION LEFT  
 DH2700 OVER 2710

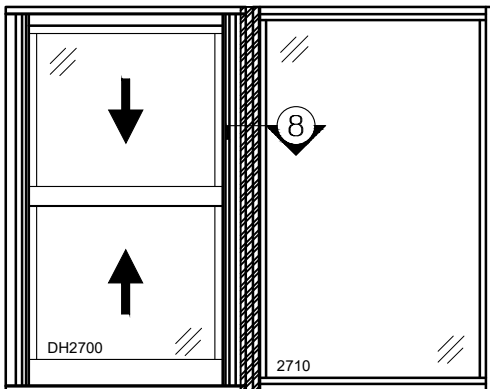
VER: 2022.11



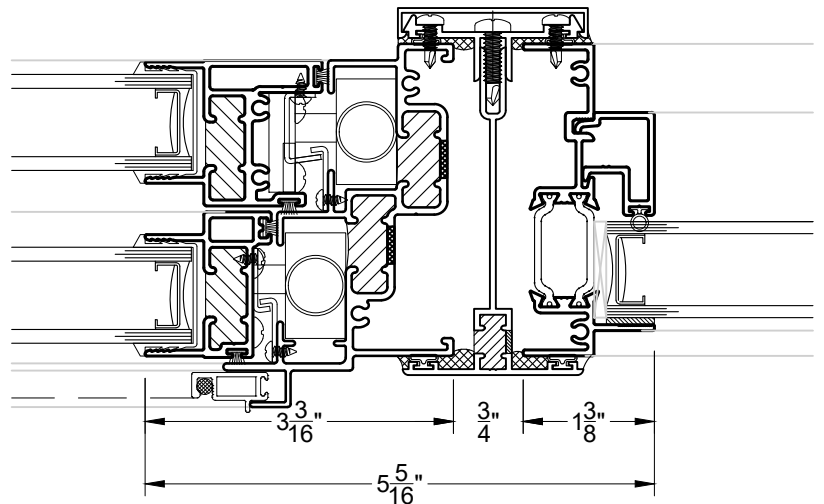
DH2700 & DH2700



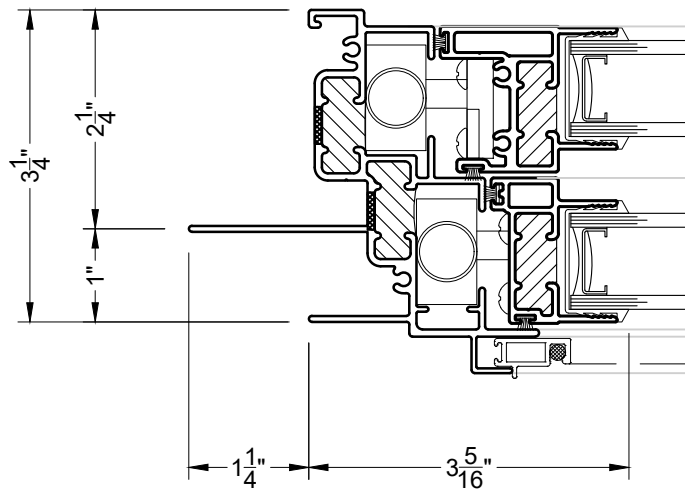
⑦ H MULLION LEFT  
 DH2700 & DH2700



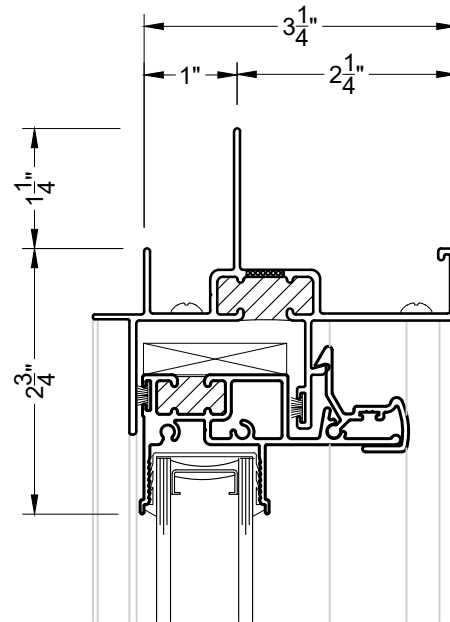
2700DH & 2710



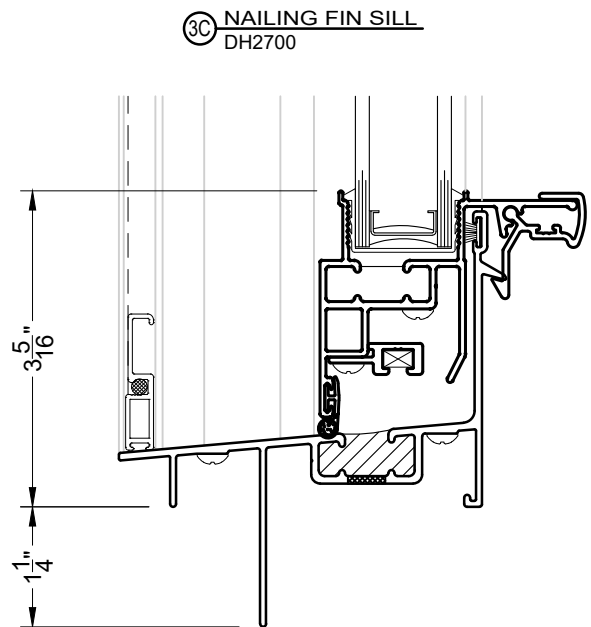
⑧ 3PC MULLION  
 DH2700 & 2710



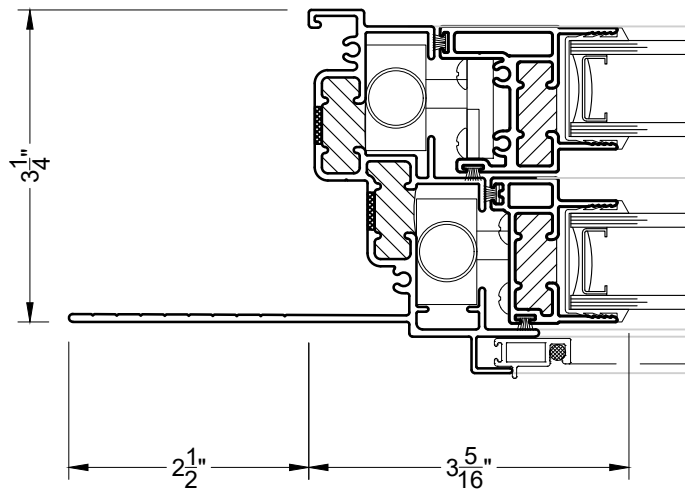
④C NAILING FIN JAMB  
DH2700



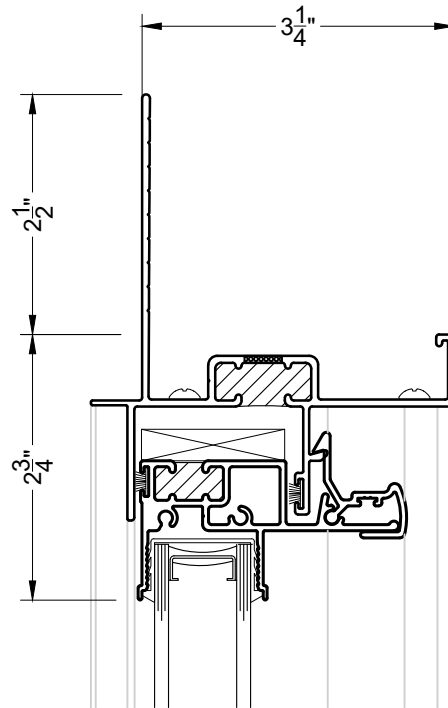
①C NAILING FIN HEAD  
DH2700



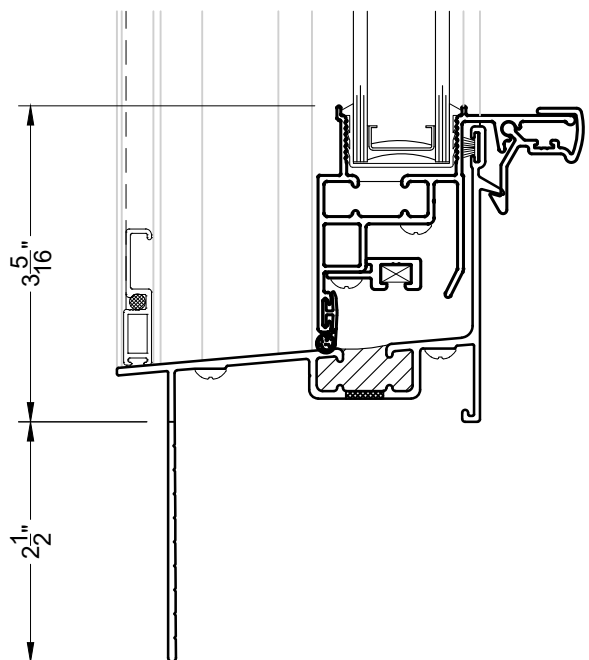
③C NAILING FIN SILL  
DH2700



④ 2.5" FLANGE JAMB  
 DH2700

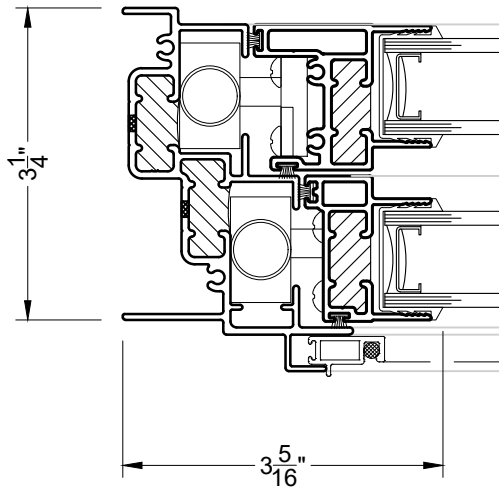


① 2.5" FLANGE HEAD  
 DH2700

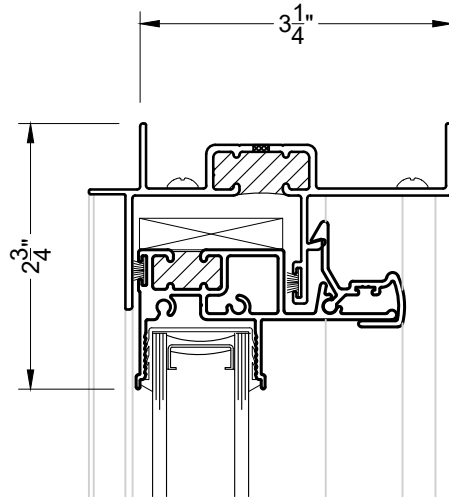


③ 2.5" FLANGE SILL  
 DH2700

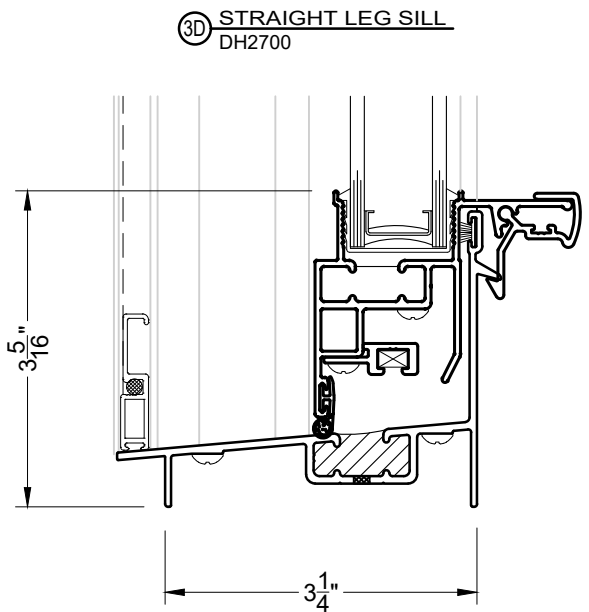




④E STRAIGHT LEG JAMB  
 DH2700



①E STRAIGHT LEG HEAD  
 DH2700



③D STRAIGHT LEG SILL  
 DH2700