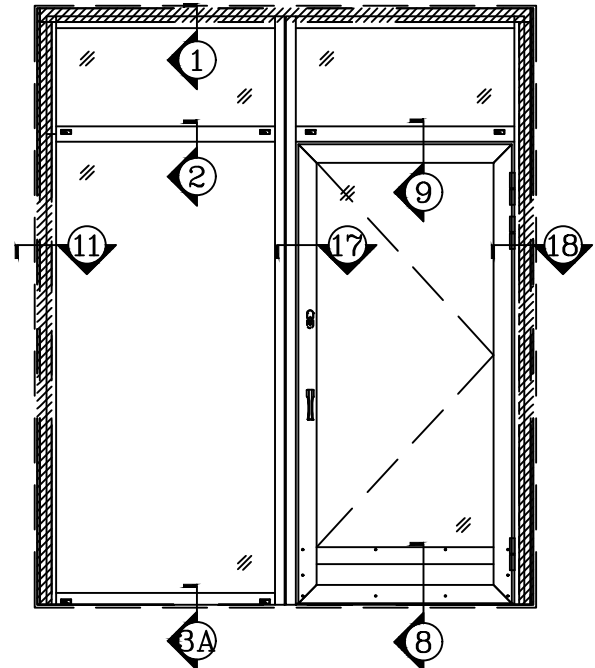
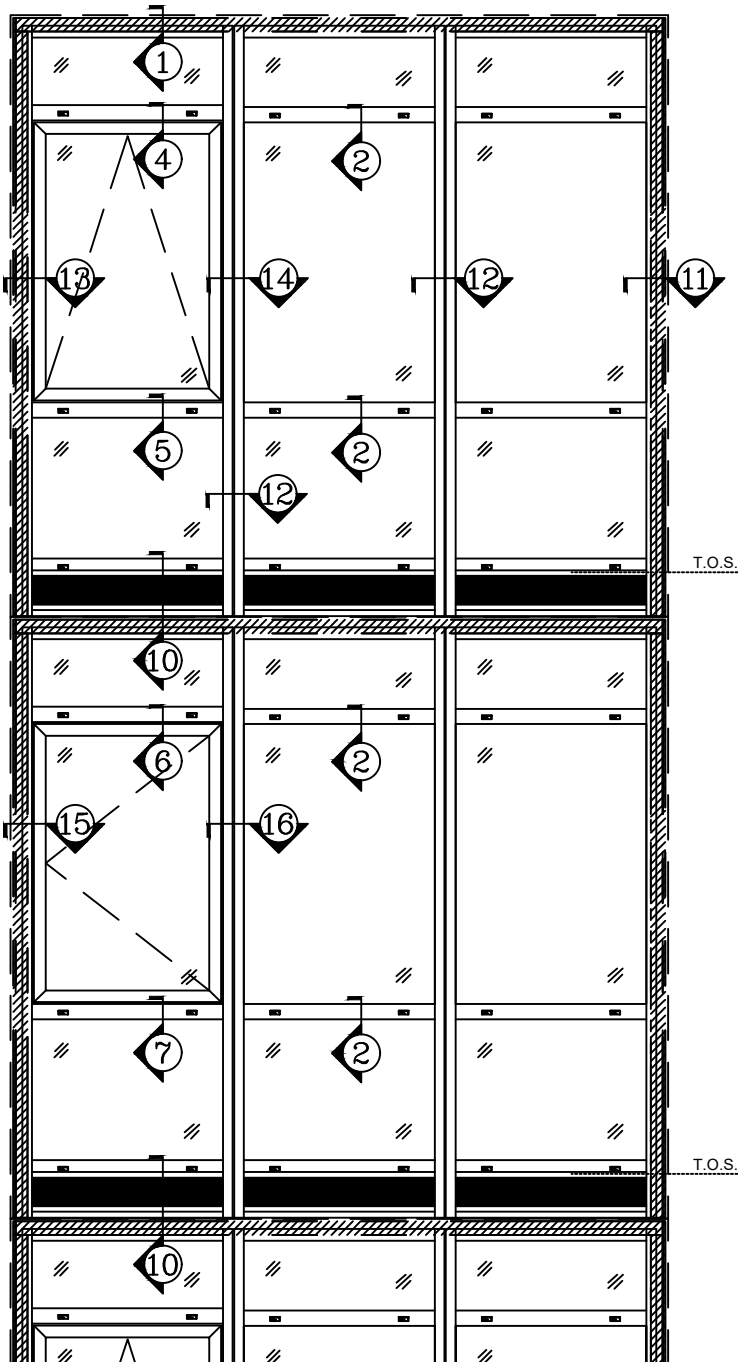
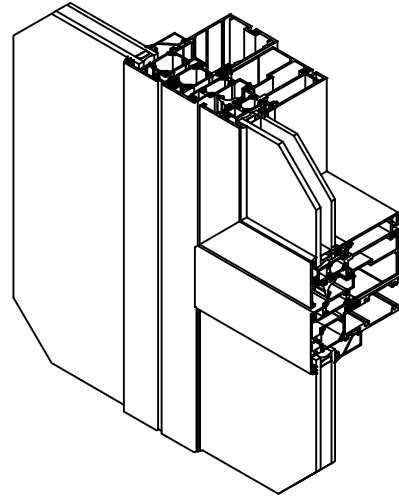


SERIES W50i WINDOW WALL

TYPE	TEST SIZE W X H	AAMA RATING	WATER RESISTANCE	U- FACTOR
IN-SWING	48" x 72"	AW-PG55	12 psf	0.34-0.40
PROJ. OUT	48" x 72"	AW-PG55	15 psf	0.32-0.42
FIXED(2LITE)	83" x 70"	AW-PG70	12 psf	0.22-0.35

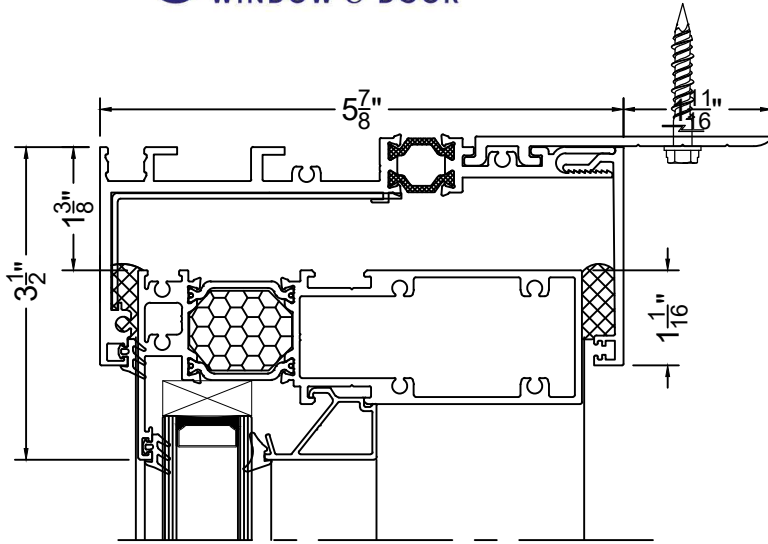


FEATURES

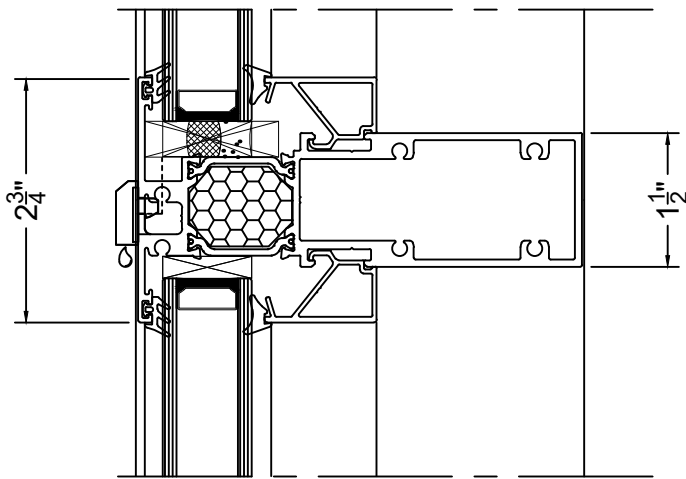
- FRAME DEPTH 5"
- GLAZING OPTIONS WITH 1", 1.25" AND 1.5"
- IMPROVED THERMAL PERFORMANCE (UP TO 0.22 Btu/h ft² F)
- MULTIPLE INSTALLATION OPTIONS (BYPASS, SLAB TO SLAB OPTION, SUB-SILL/ SIDE JAMB RECEPTOR, BREAK METAL SLAB COVER, SHADOW BOX SPANDRELS)
- OPERABLE CAN BE REPLACED FROM INSIDE
- VARIOUS OPTIONS FOR OPERABLE (PROJECT OUT WITH OS OR EURO CRANK OPERATOR, TILT AND TURN WITH HIDDEN SASH, BALCONY DOOR)
- FAST INSTALLATION WITH INTEGRATED SNAP IN SYSTEM (REDUCED CAULK AND FASTENER USAGE, NO METAL TO METAL CONNECTION TO REDUCE POPPING SOUND CAUSED BY THERMAL EXPANSION BETWEEN UNITS)
- HARD FOAM THERMAL INSERTS

OPTIONAL FEATURES

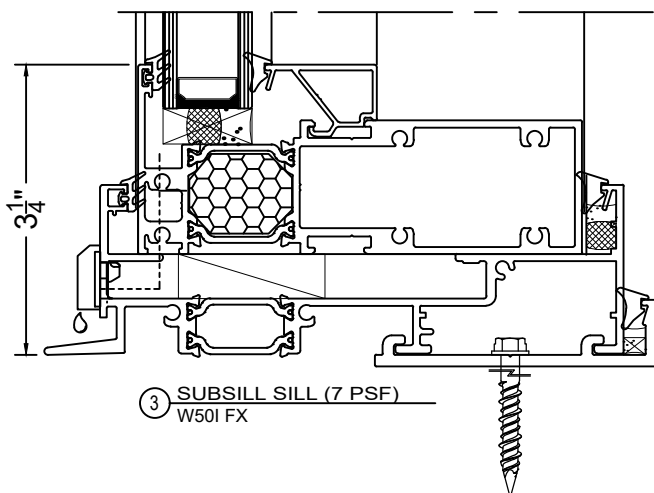
- LOW-E COATING & ARGON FILLED IGU
- CUSTOM COLOR & FINISH (TWO TONE OPTION)
- STEEL INSERTS FOR STRUCTURAL IMPROVEMENT



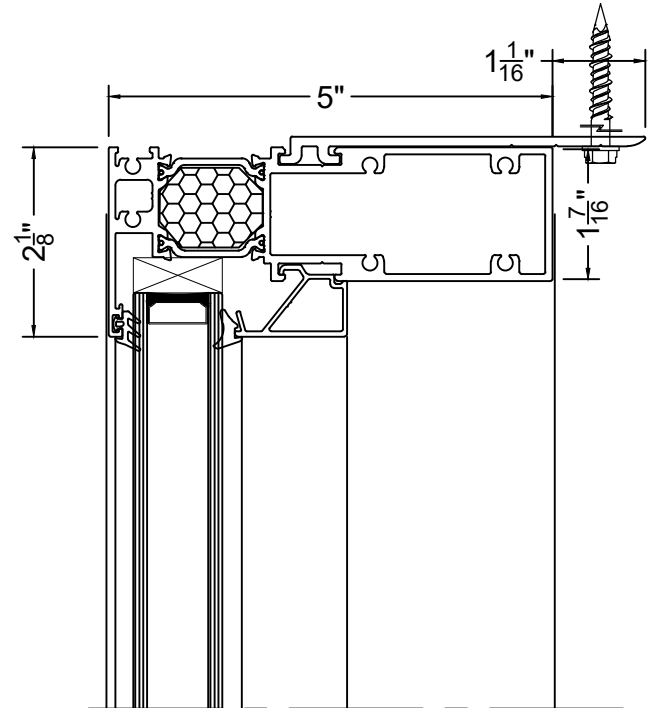
① RECEPTOR HEAD
W50I FX



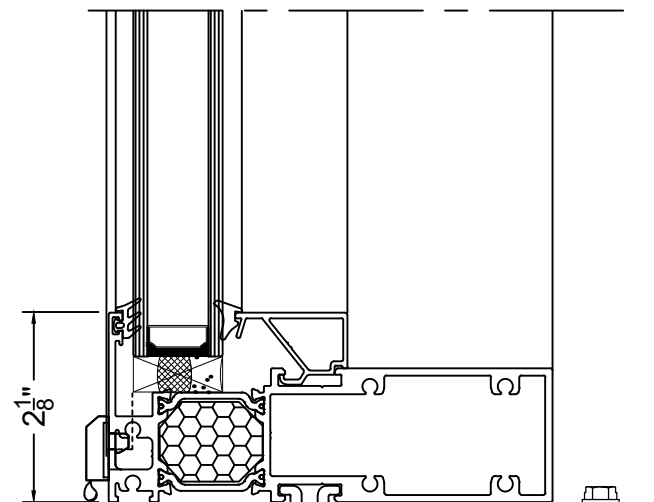
② IMPOST
W50I FX OVER FX



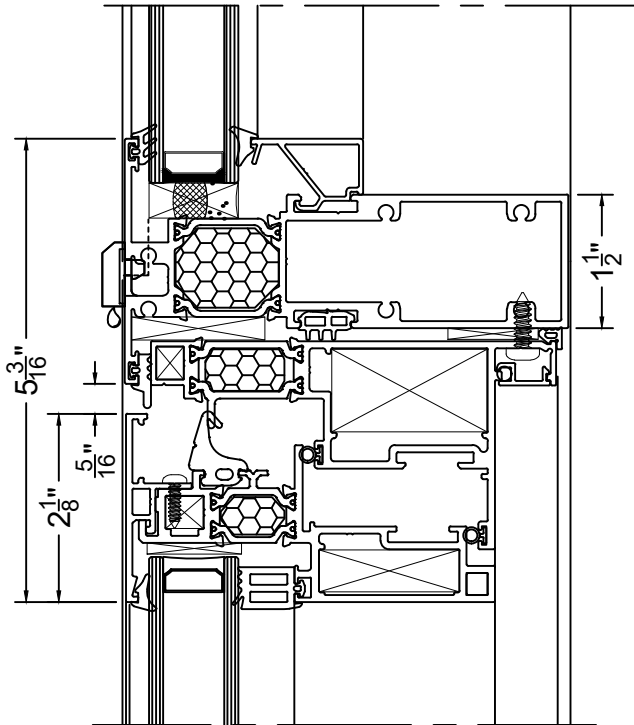
③ SUBSILL SILL (7 PSF)
W50I FX



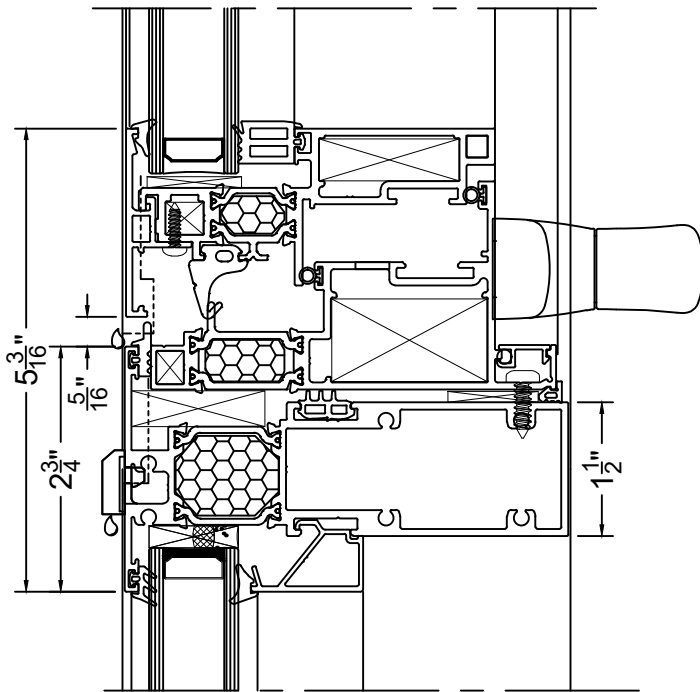
①A HEAD W/ CLIP
W50I FX



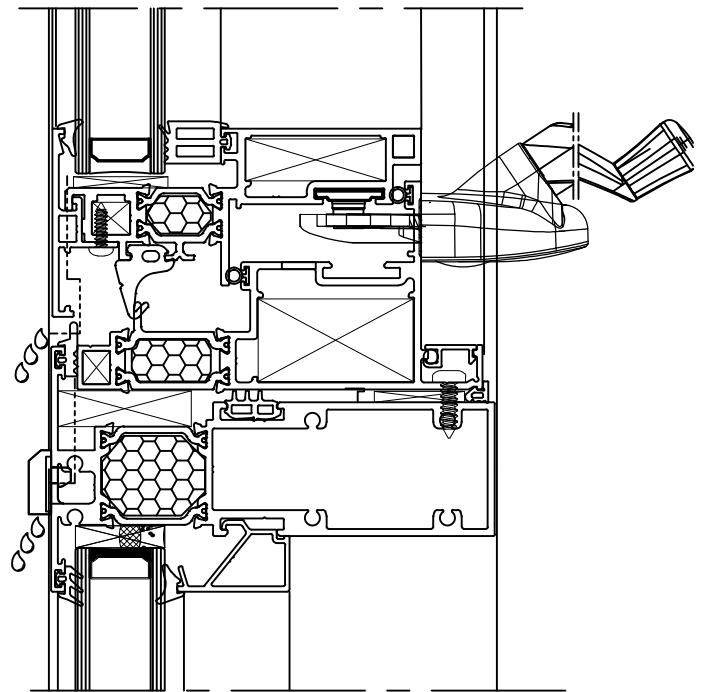
③A SILL W/ CLIP
W50I FX



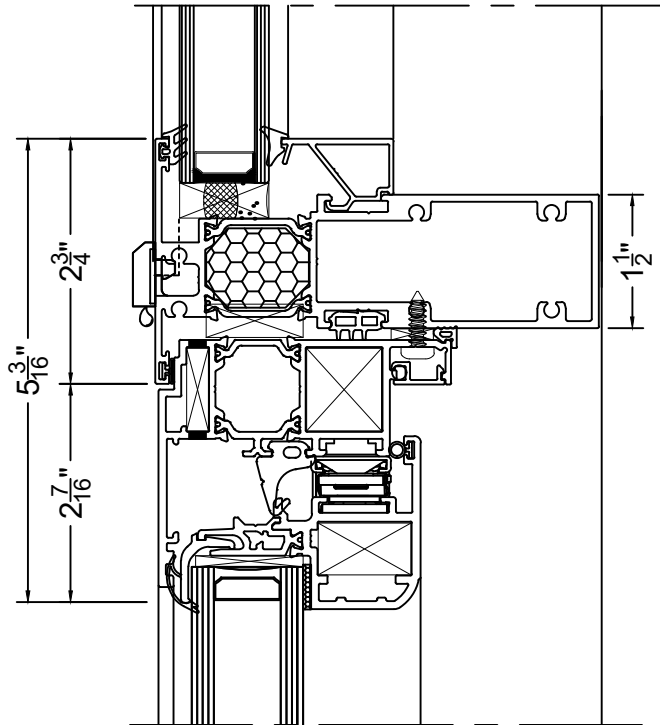
④ IMPOST
W50i FX OVER PROJ. OUT



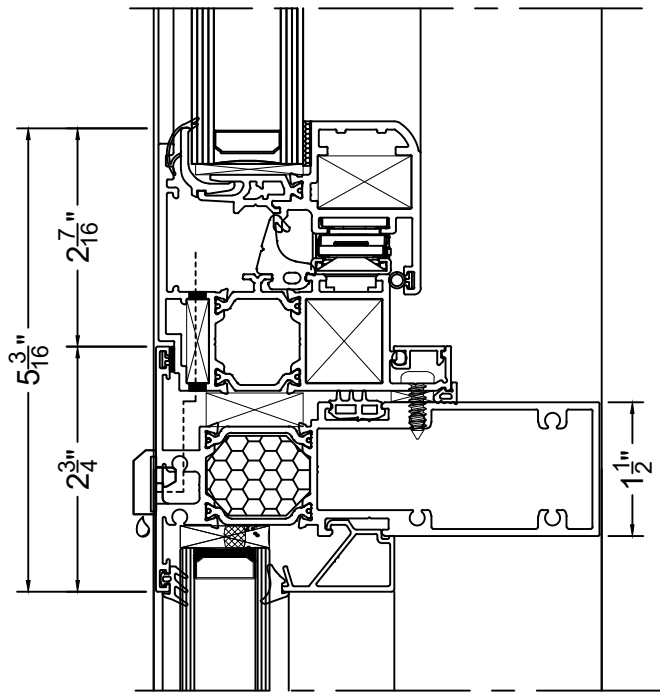
⑤ IMPOST (OS OPERATOR)
W50i PROJ. OUT OVER FX



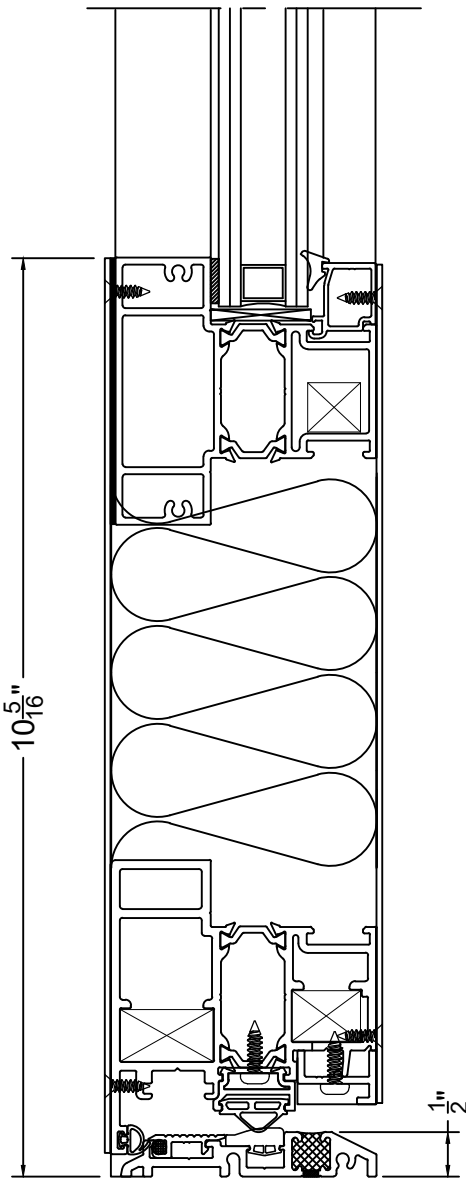
⑤A IMPOST (CRANK OPERATOR)
W50i PROJ. OUT OVER FX



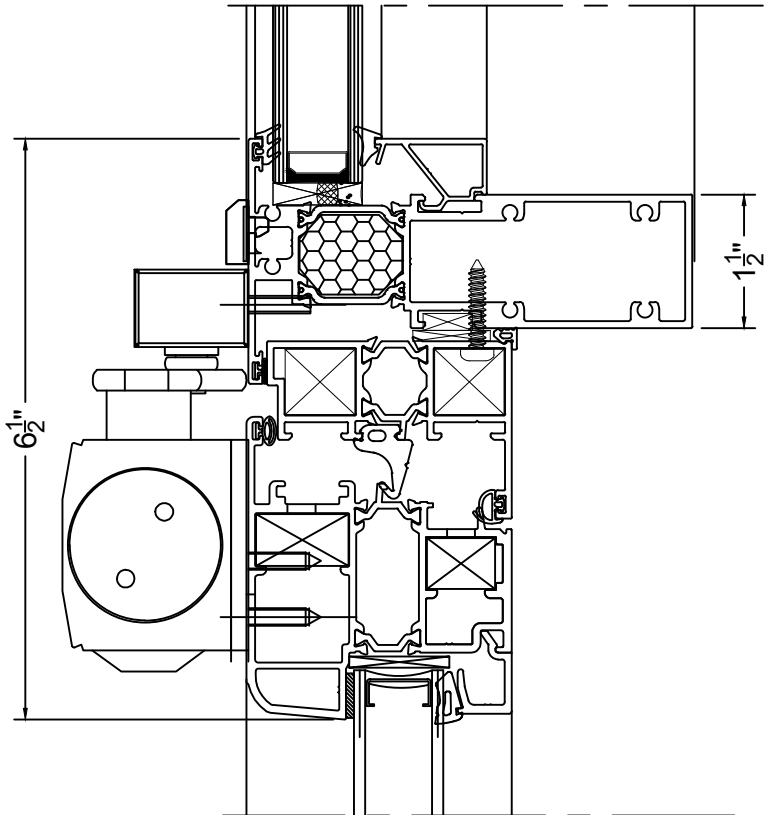
⑥ IMPOST
W50i FX OVER IN-SWING



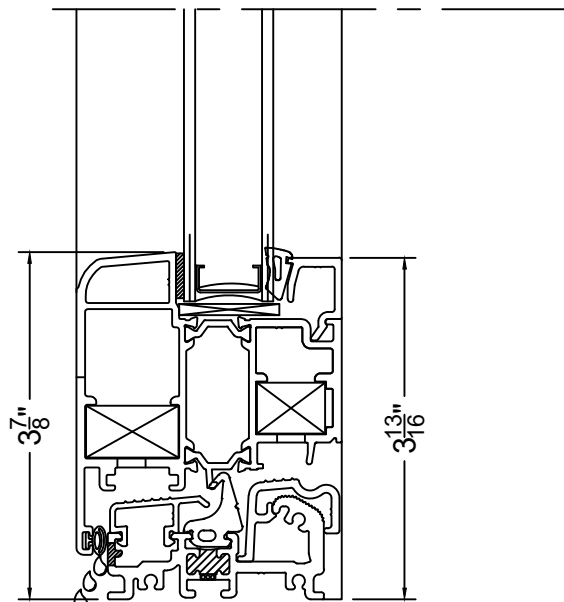
⑦ IMPOST
W50i IN-SWING OVER FX



⑧ ADA SILL W/ KICK PLATE
W50i OUT-SWING DOOR

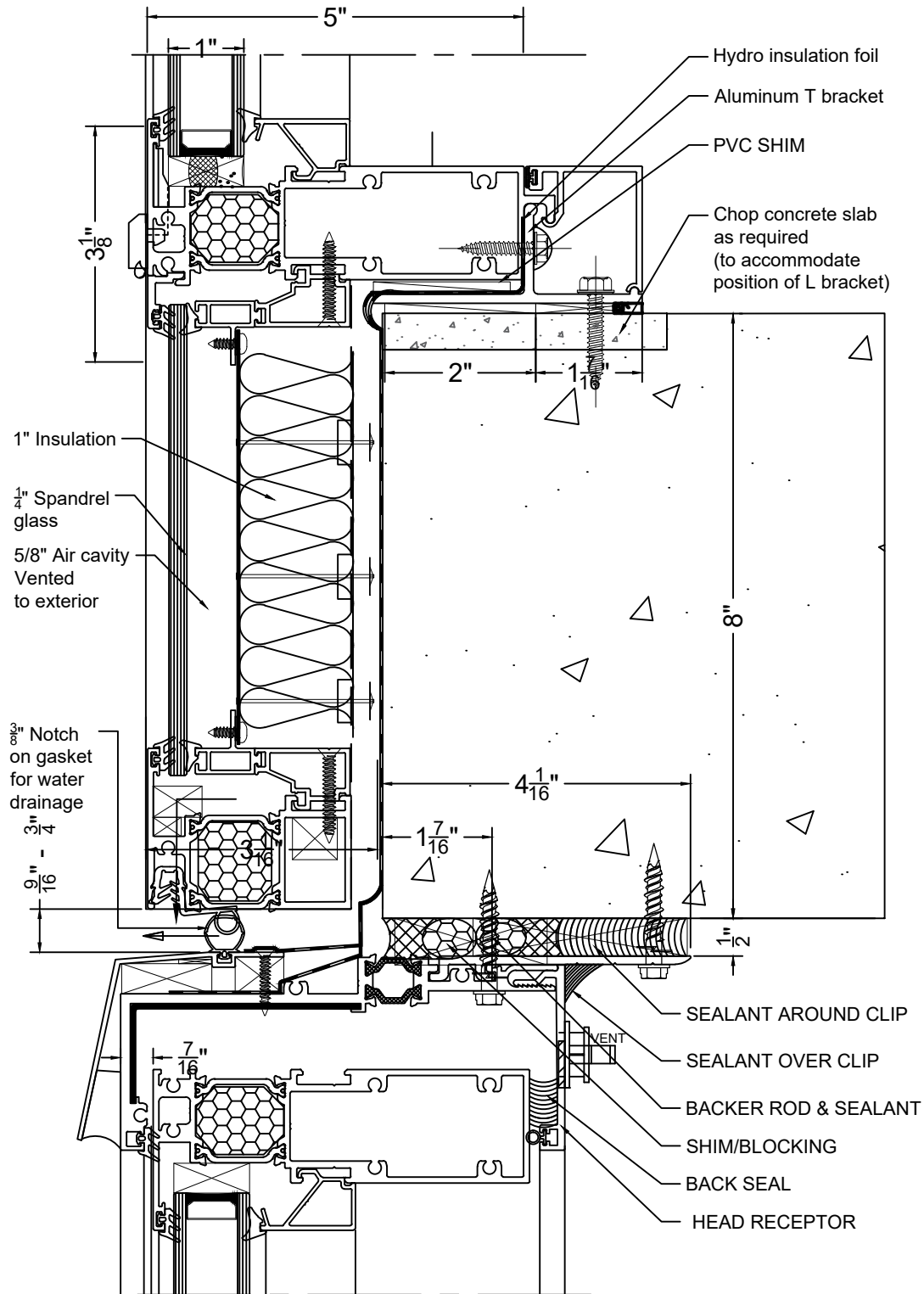


⑨ IMPOST
W50i FX OVER DOOR (WITH DOOR CLOSER)

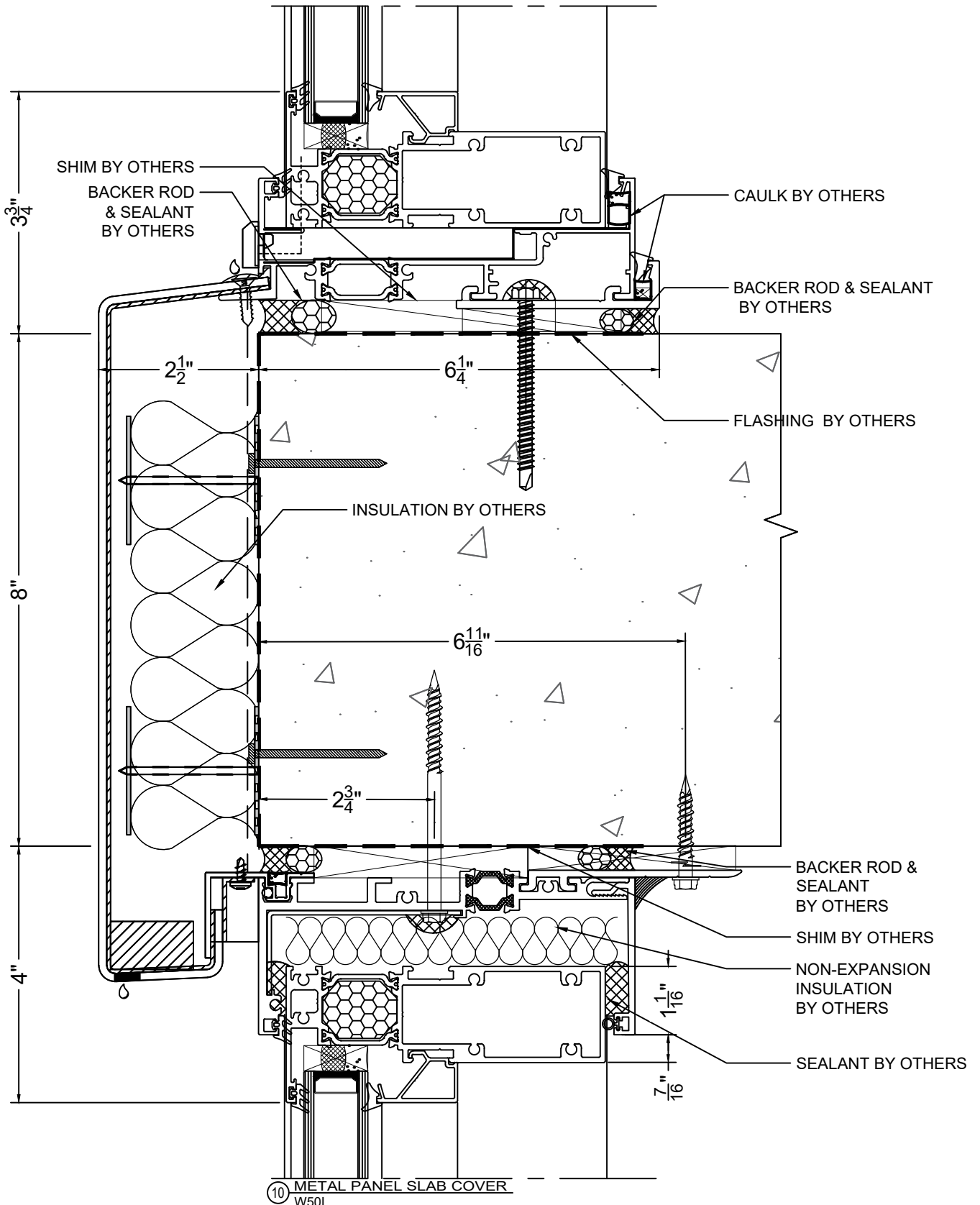


⑧A SILL
W50i OUT-SWING DOOR

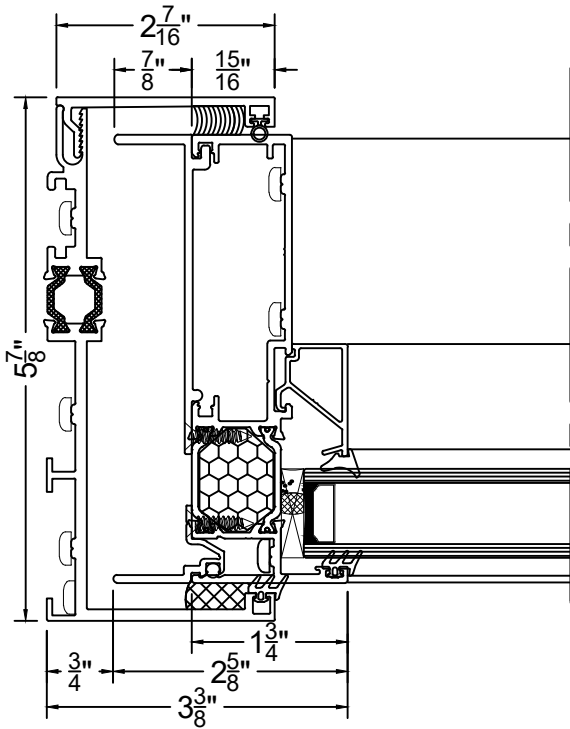
VER: 2022.10



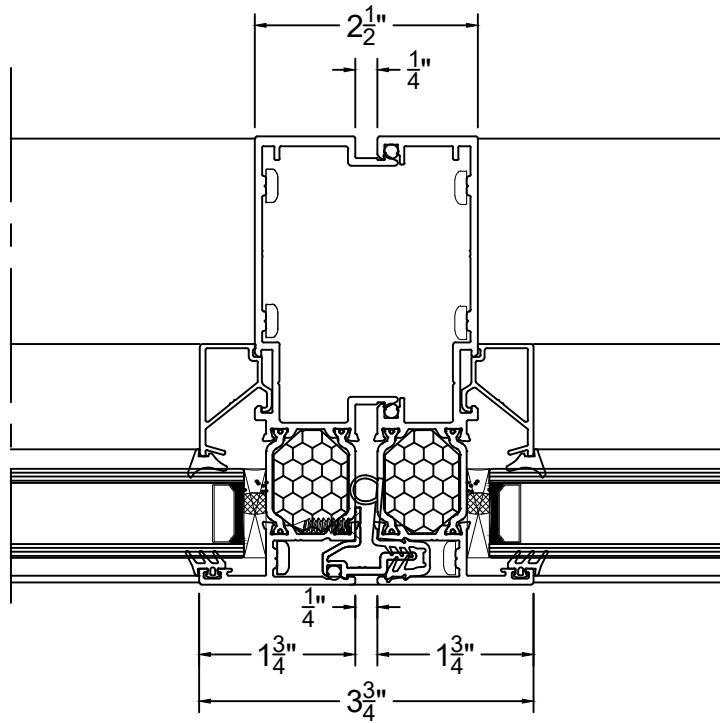
10A SPANDREL/ METAL PANEL BYPASS
W50I



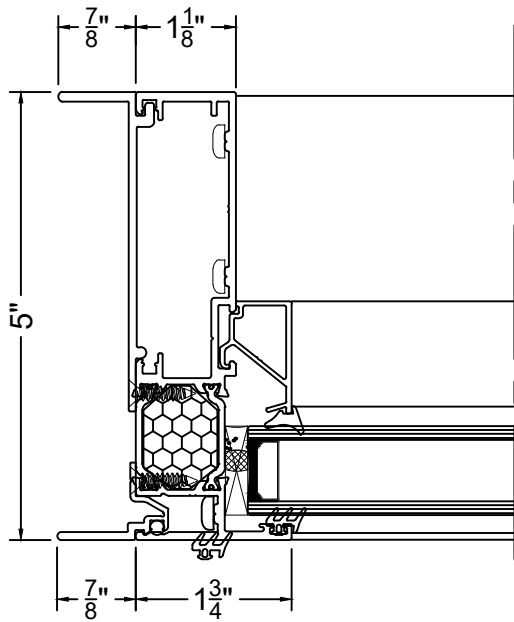
VER: 2022.10



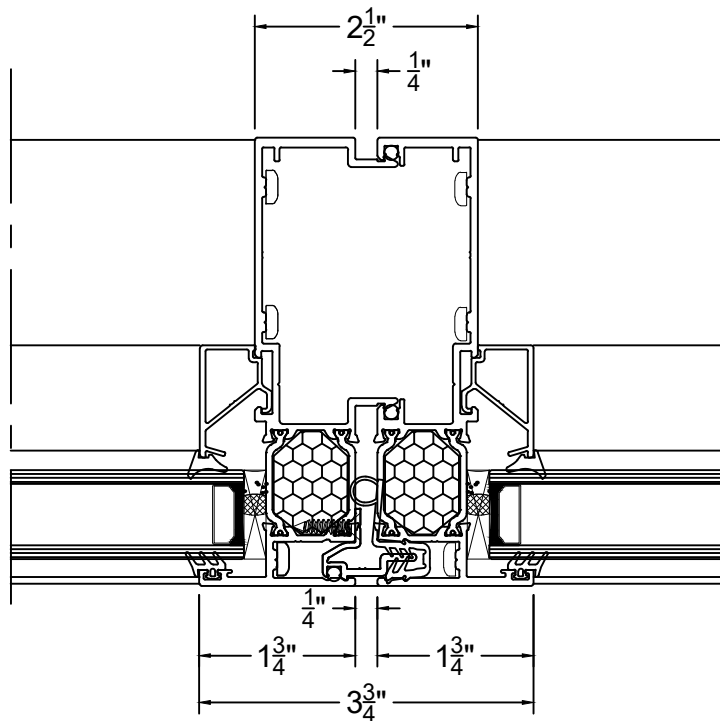
11 JAMB RECEPTOR AND OPTIONAL JAMB EXTENSION
W50i FX



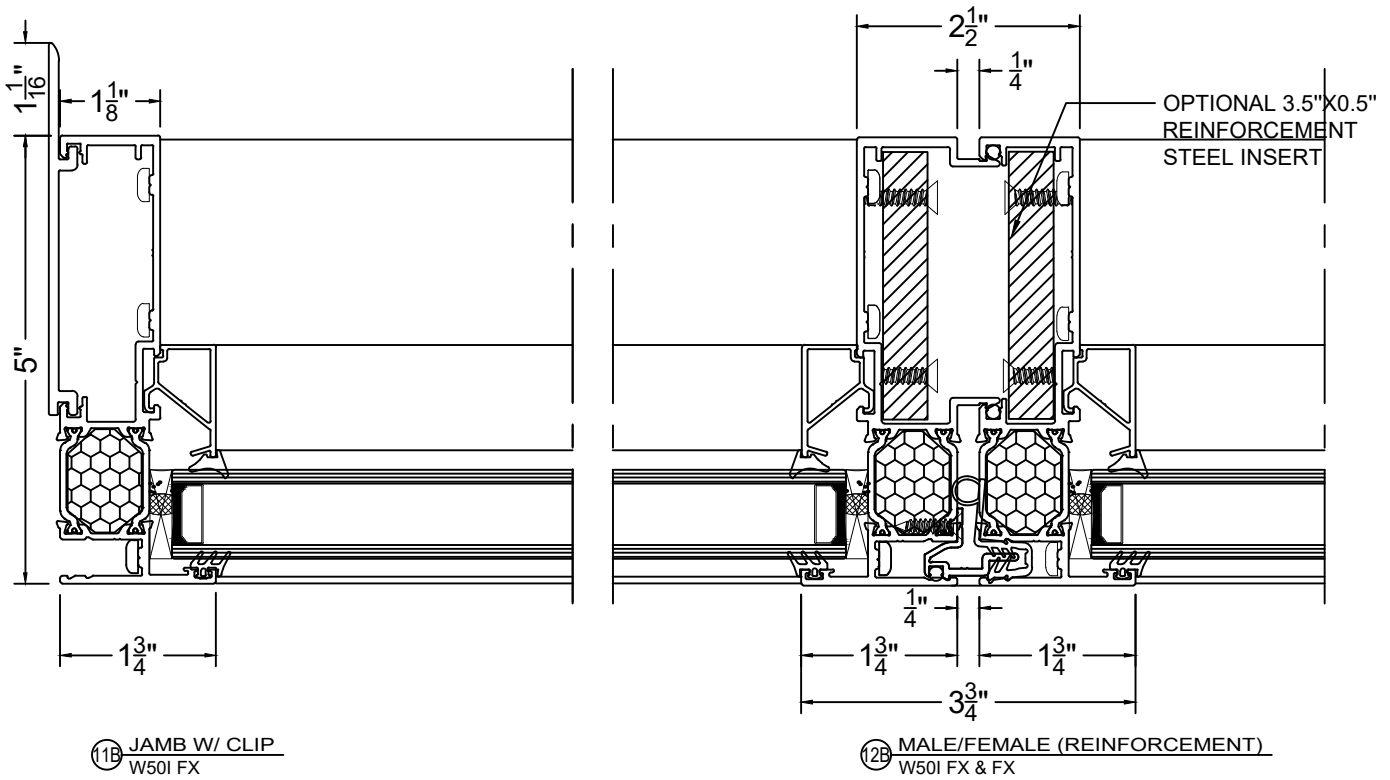
12 MALE/FEMALE
W50i FX & FX

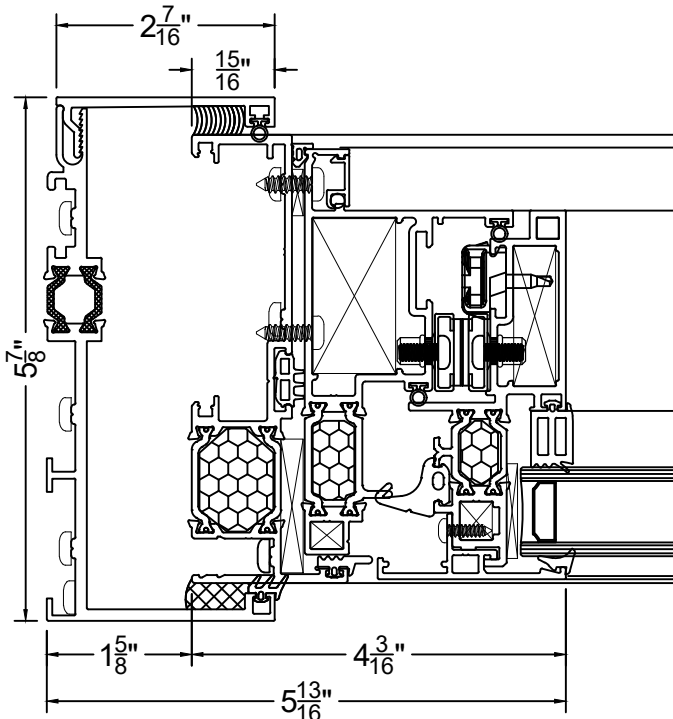


11A JAMB WITH JAMB EXTENSION
W50i FX

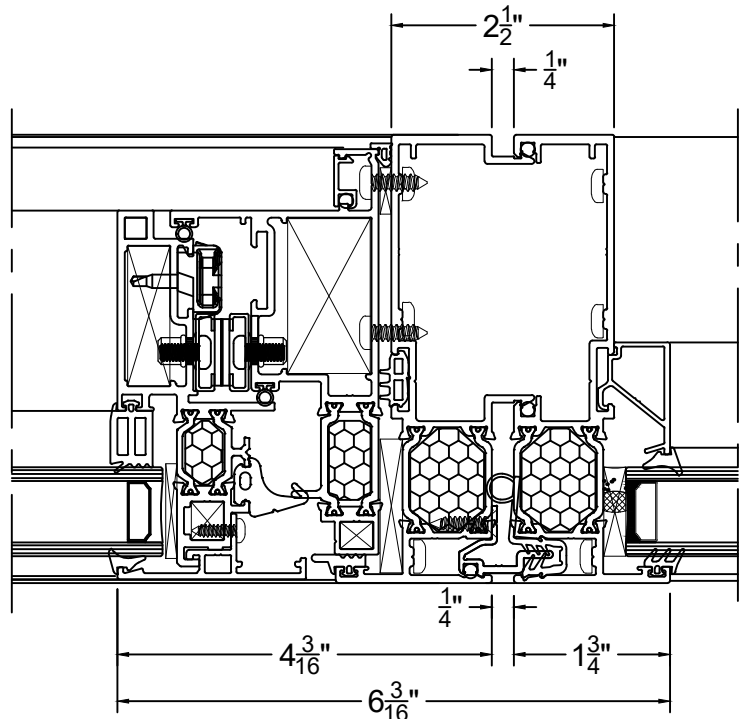


12 MALE/FEMALE
W50i FX & FX

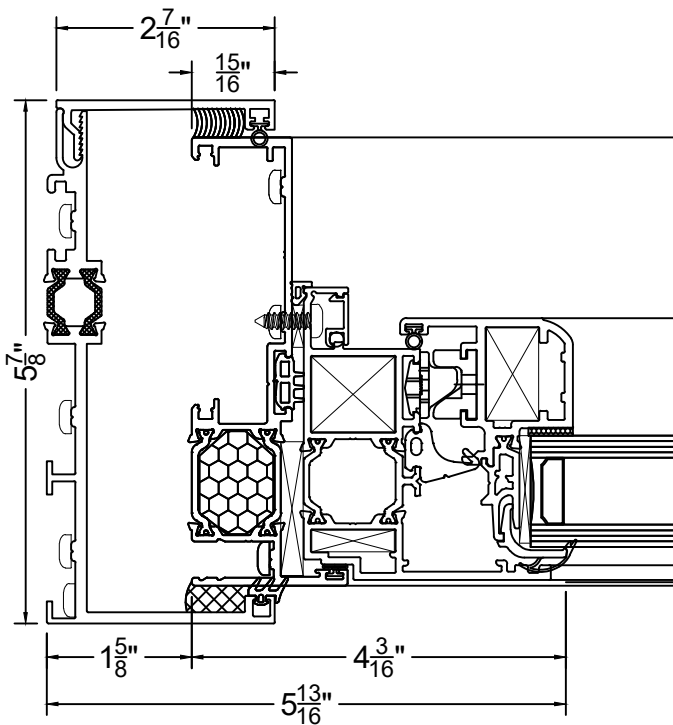




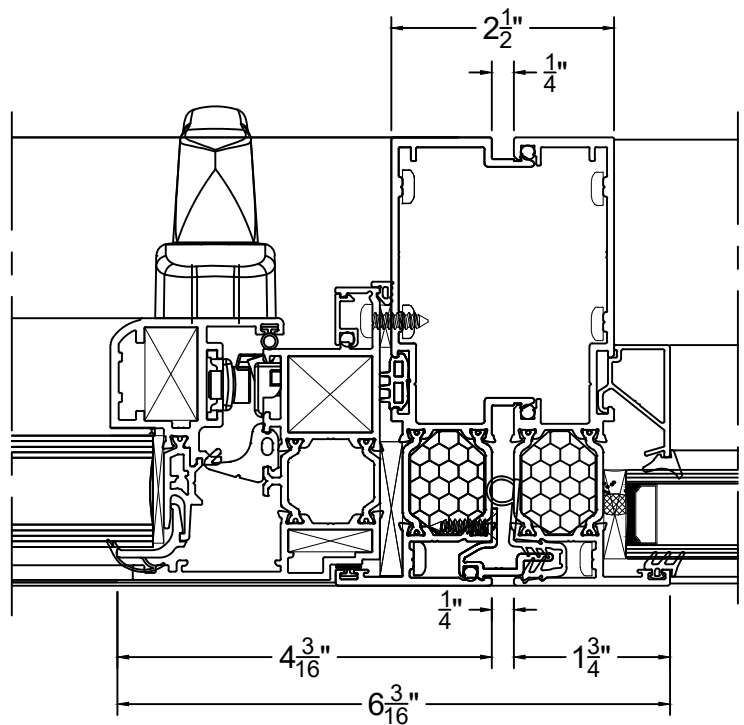
13 JAMB RECEPTOR
W50i PROJ. OUT



14 MALE/FEMALE
W50i PROJ. OUT & FX



15 JAMB RECEPTOR
W50i IN-SWING



16 MALE/FEMALE
W50i IN-SWING & FX

