

SERIES 8810 FIXED WINDOWS

TEST SIZE W x H	AAMA RATING	AIR INFILTRATION	DESIGN PRESSURE	WATER RESISTANCE	U-VALUE	SHGC	VT
60" x 99"	AW-PG75	≤0.10 cfm/ft ²	75 psf	12 psf	0.28-0.47	0.2-0.57	0.43-0.62

TABLE OF CONTENT

- 2⁵/₈" FRAME (PAGE 2-5)
 - SECTION DETAILS -P2
 - MULLION -P3-P4
 - APPLIED ON FLANGE -P5
 - ANCHOR CLIP -P5
- 3¹/₄" FRAME (PAGE 6-9)
 - SECTION DETAILS -P6
 - MULLION -P7-P8

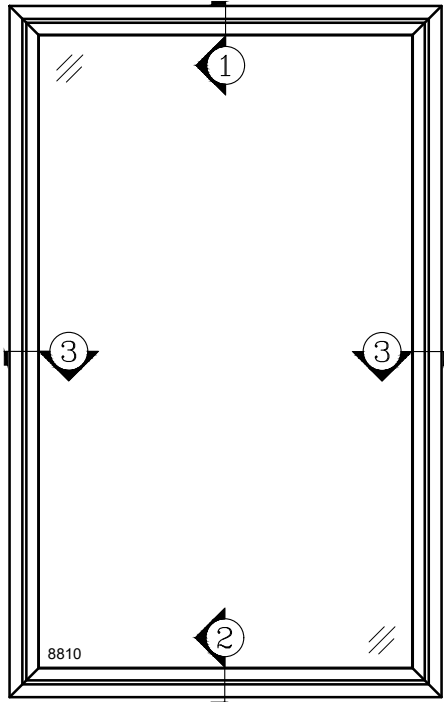
FEATURES

- ALUMINUM THERMAL-BREAK FIXED WINDOW
- POLYAMIDE THERMAL BARRIER
- EUROPEAN-STYLE FRAME & CORNER KEYS
- 2-5/8" FRAME DEPTH
- 1-1/4" DOUBLE PANE INSULATED GLASS
- HEAVY DUTY EXTRUSION
- AAMA 2604 POWDER COAT PAINT

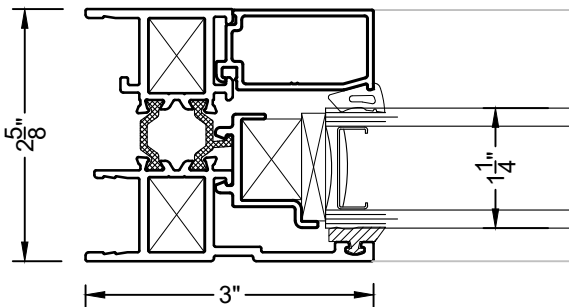
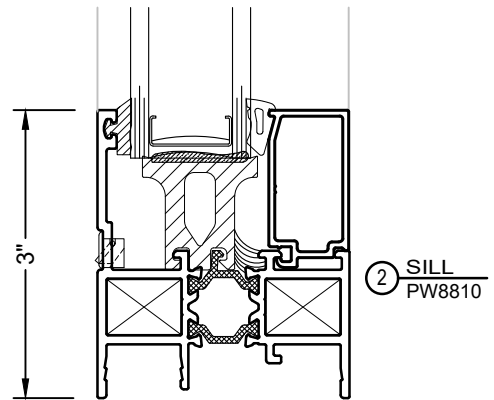
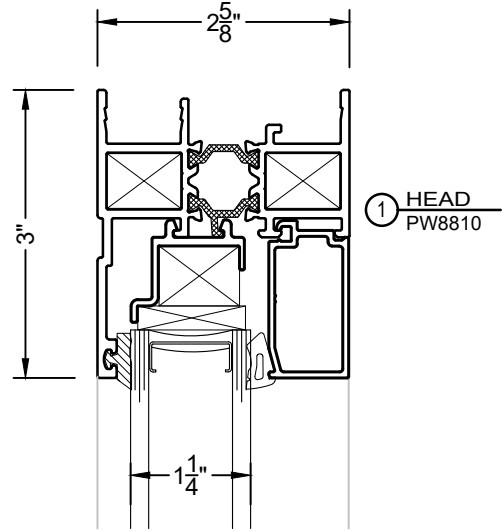
OPTIONAL SELECTIONS

- LOW-E COATING & ARGON FILLED IGU
- CUSTOM FINISH AND CUSTOM COLOR
- 1" INSULATED GLASS
- 3-1/4" FRAME DEPTH
- GRIDS
- 1-1/4" OR 3-1/4" APPLIED ON FACE FLANGE ON 2-5/8" FRAME ONLY
- LOUVER SYSTEM
- OTHER OPTIONAL ACCESSORIES

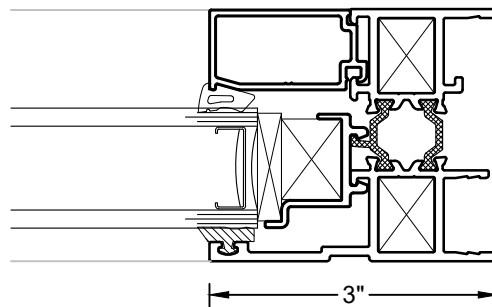
2⁵/₈" FRAME DEPTH



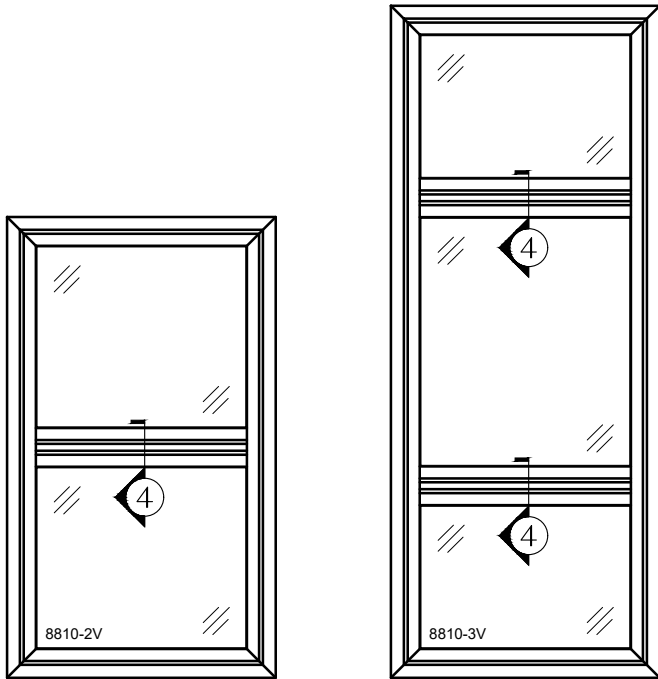
8810 FIXED WINDOW



3 JAMB
PW8810

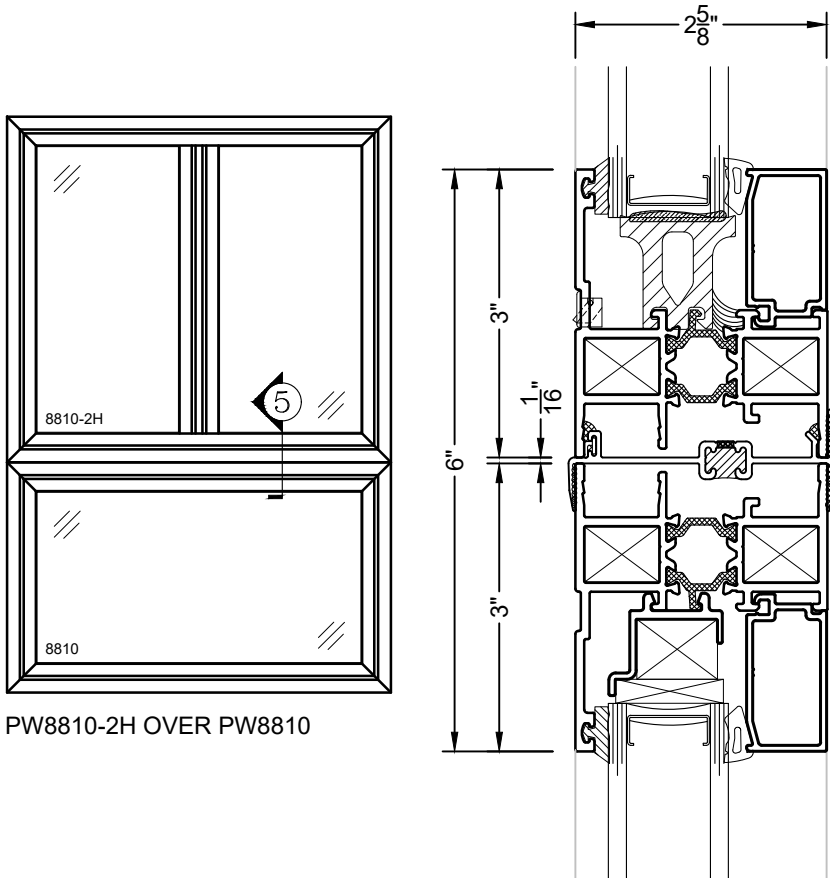
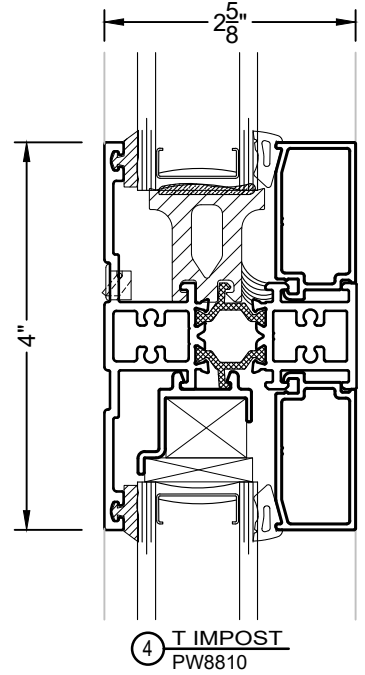


3 JAMB
PW8810



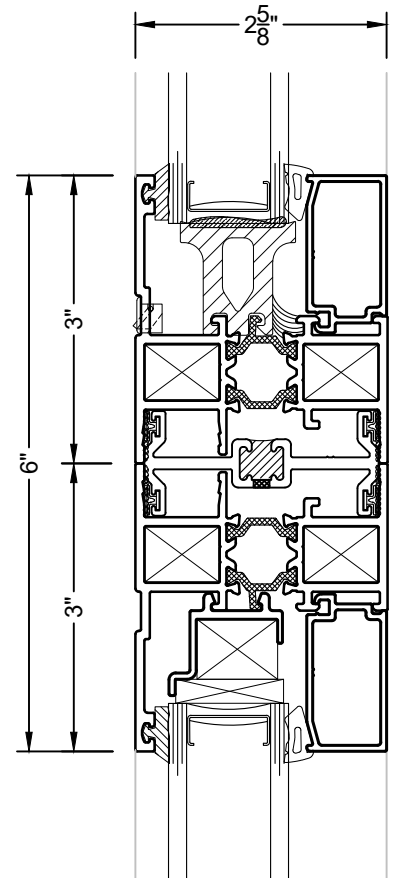
PW8810-2V VERTICAL 2 LITE

PW8810-3V VERTICAL 3 LITE

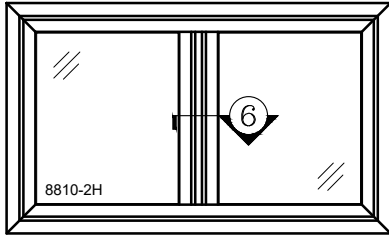


PW8810-2H OVER PW8810

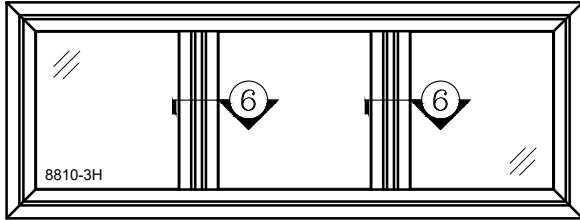
5 STACK MULLION
 PW8810 OVER PW8810



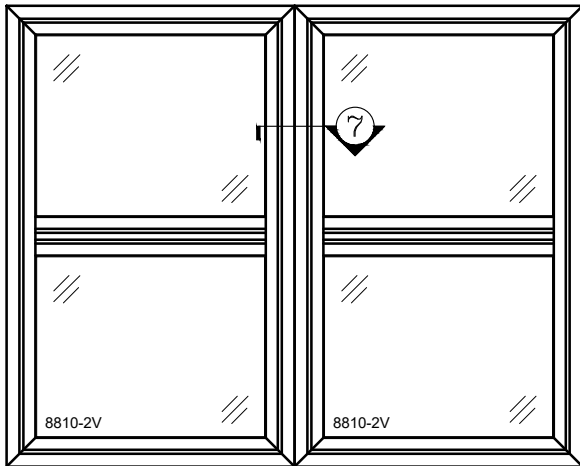
5A H MULLION
 PW8810 OVER PW8810



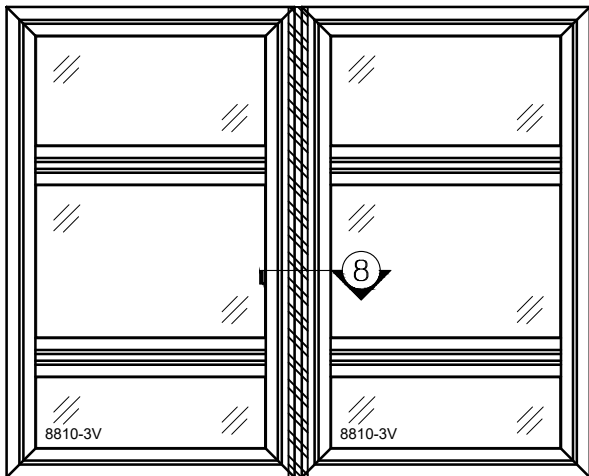
PW8810-2H HORIZONTAL 2 LITE



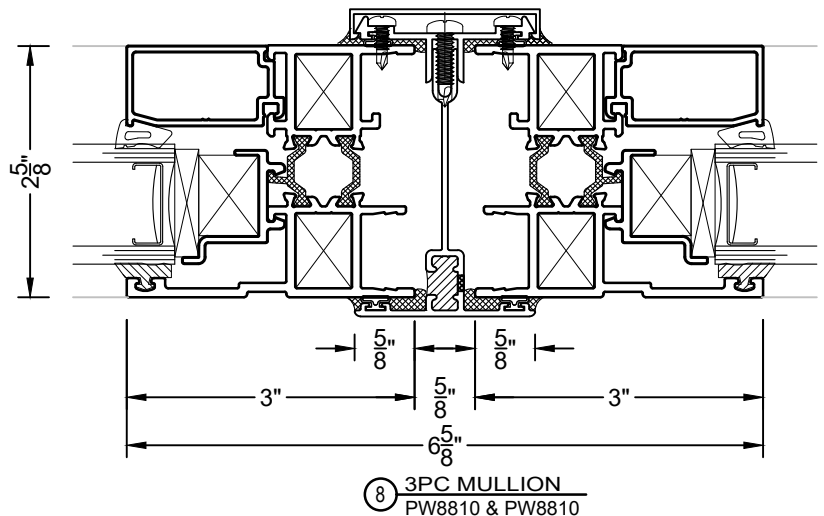
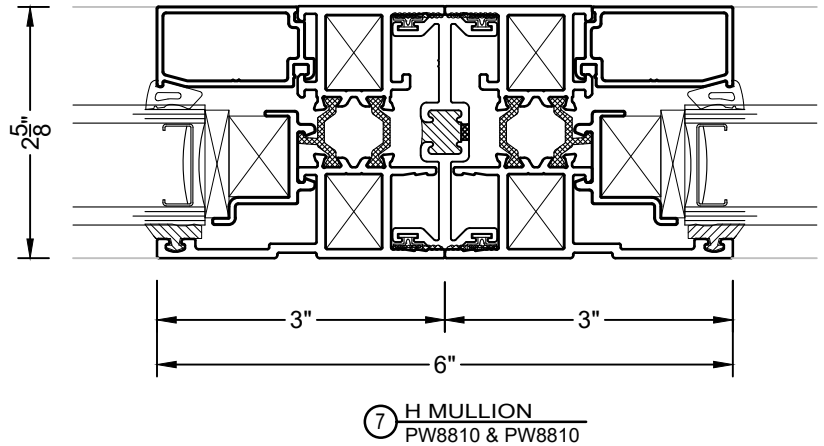
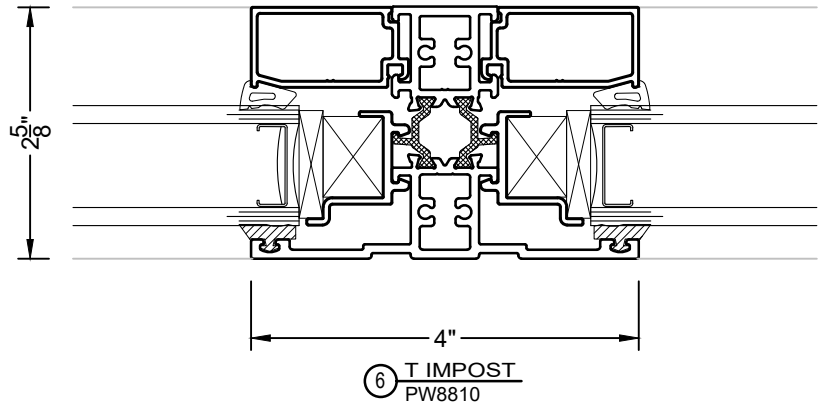
PW8810-3H HORIZONTAL 3 LITE



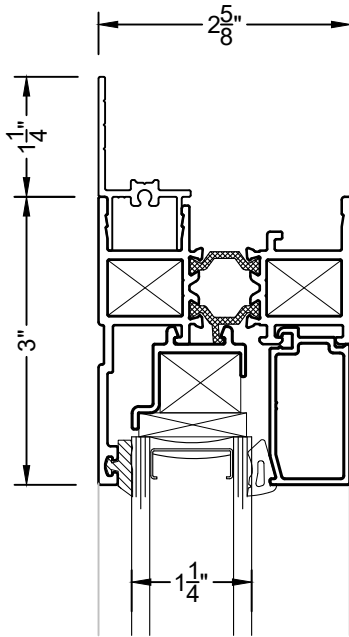
PW8810-2V & PW8810-2V WITH H MULLION



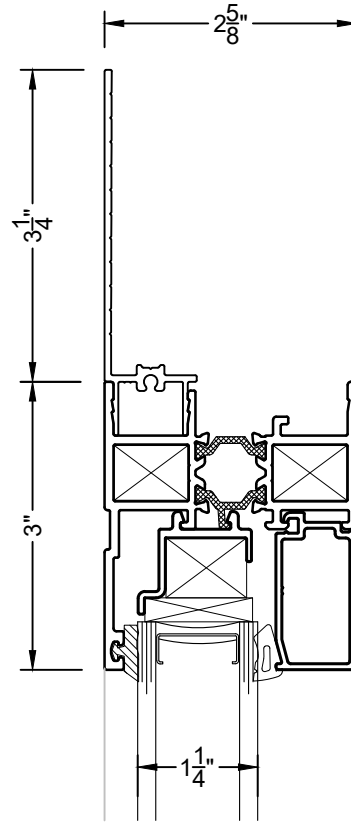
PW8810-3V & PW8810-3V
 WITH 3PC MULLION



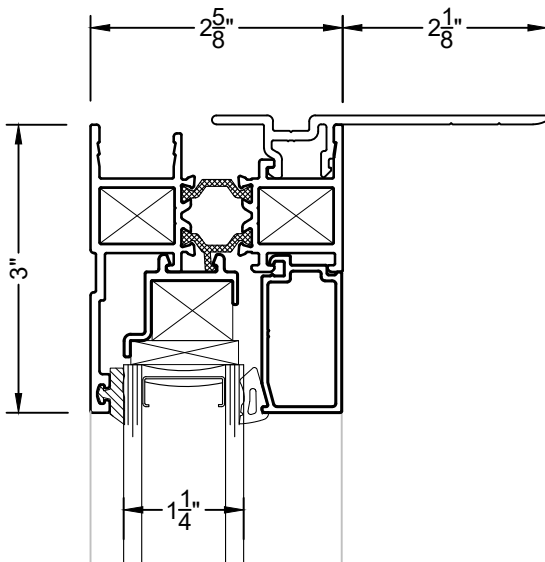
VER: 2020.03



①A HEAD W/ 1-1/4" APPLIED ON FLANGE
 PW8810

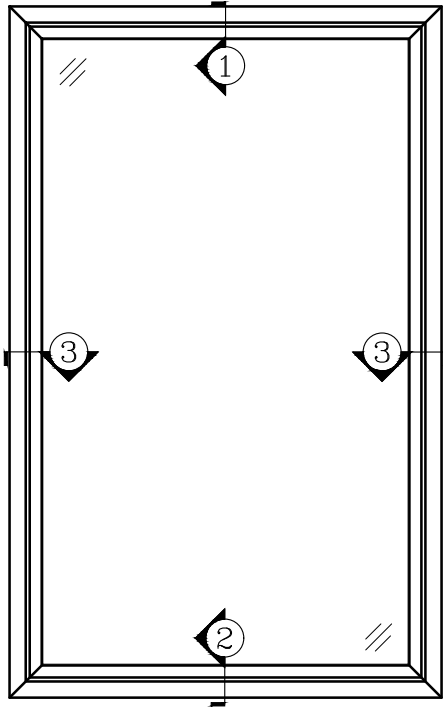


①B HEAD W/ 3-1/4" APPLIED ON FLANGE
 PW8810

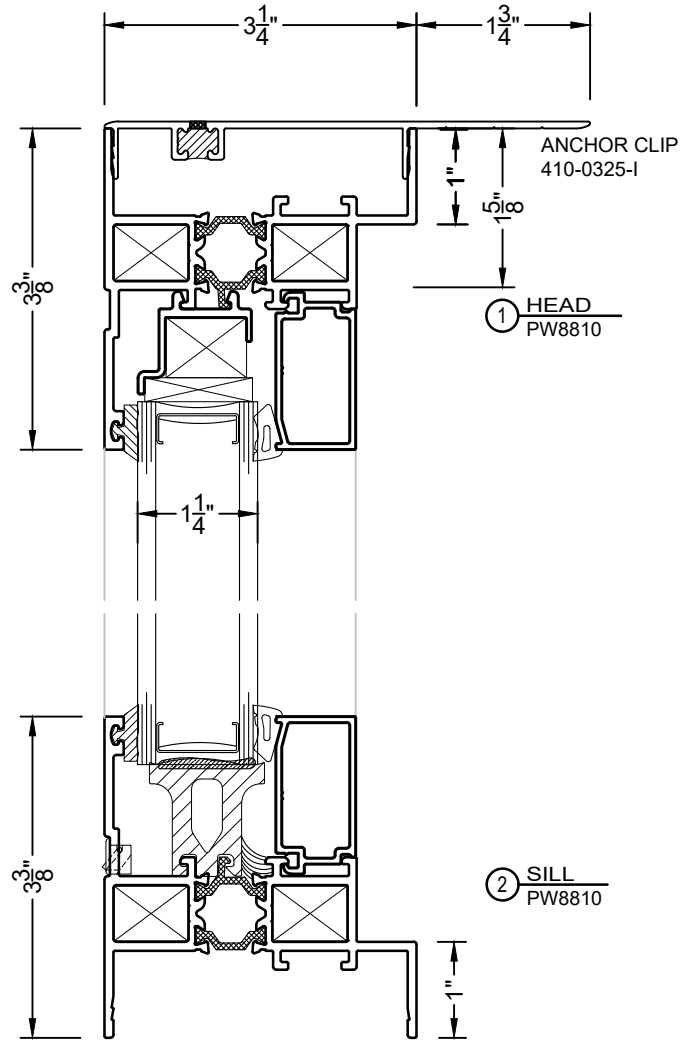


② HEAD W/ SNAP ON ANCHOR CLIP
 PW8810

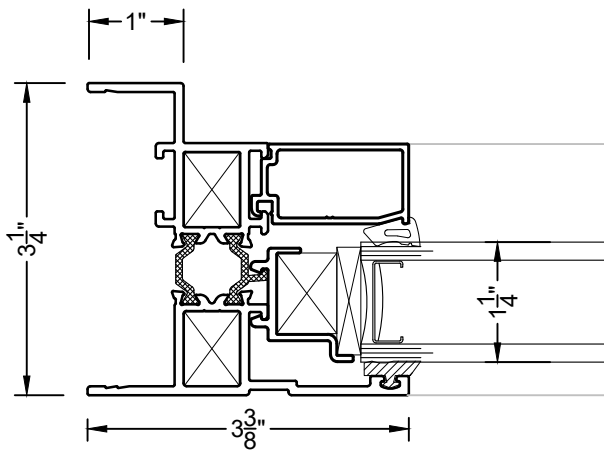
3 1/4" FRAME DEPTH



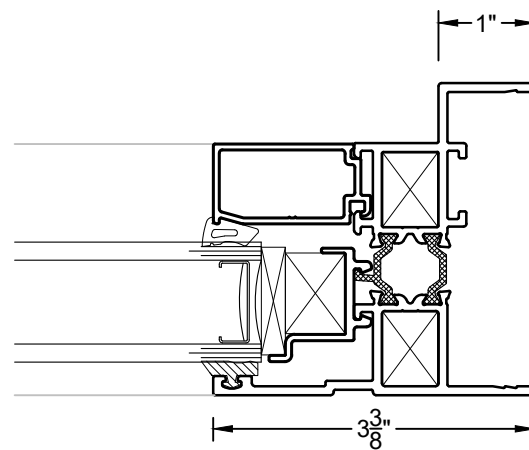
8810 FIXED WINDOW



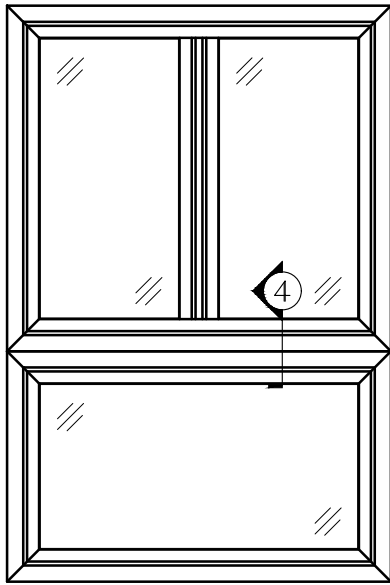
② SILL
PW8810



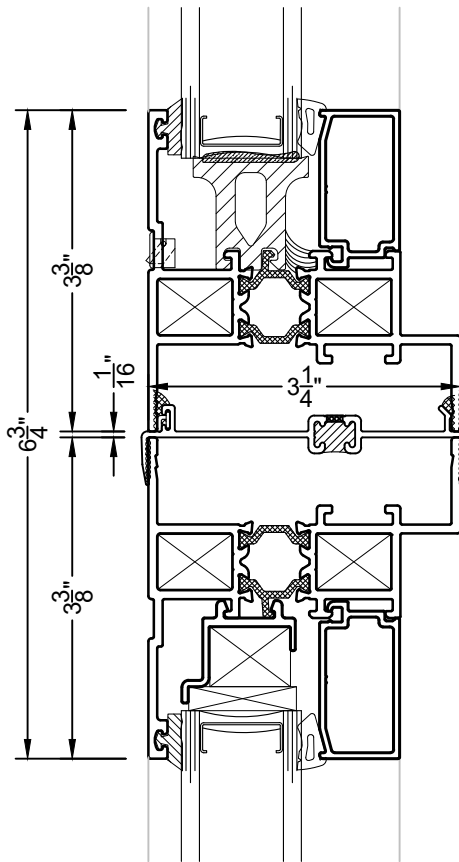
③ JAMB
PW8810



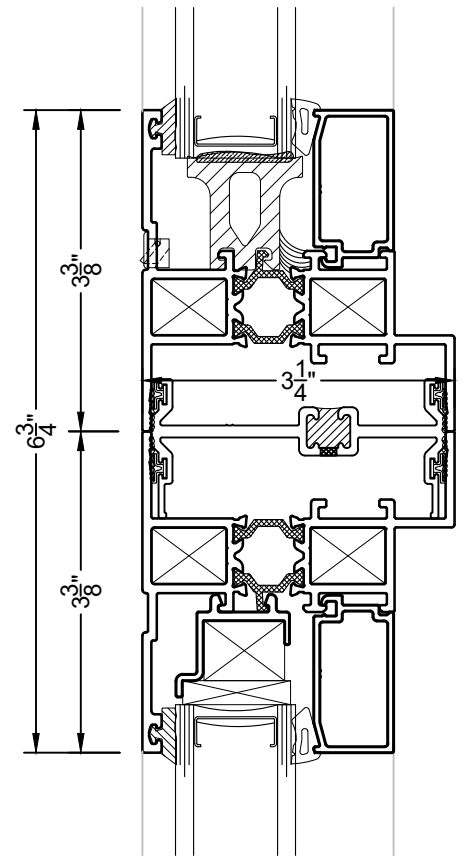
③ JAMB
PW8810



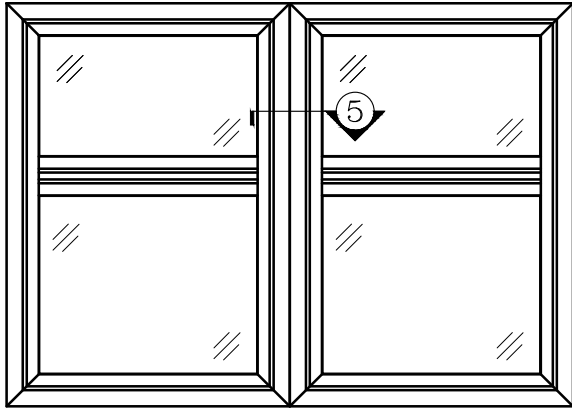
PW8810-2H OVER PW8810



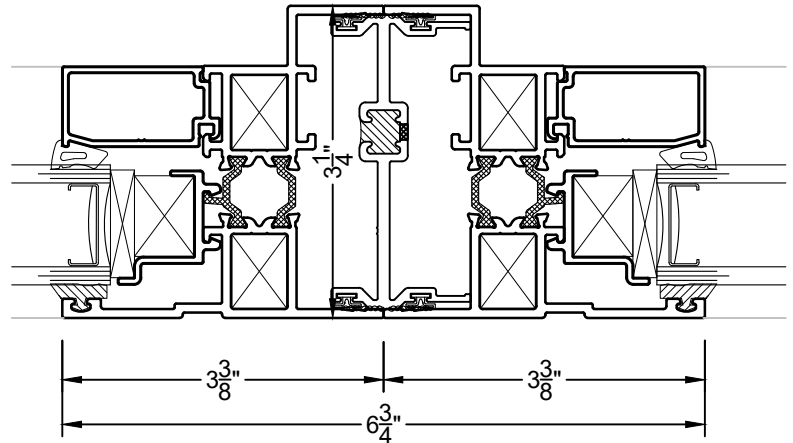
④ STACK MULLION
 PW8810 OVER PW8810



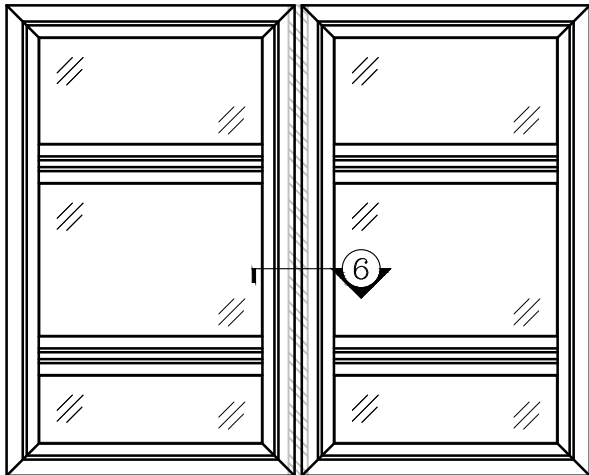
④A H MULLION
 PW8810 OVER PW8810



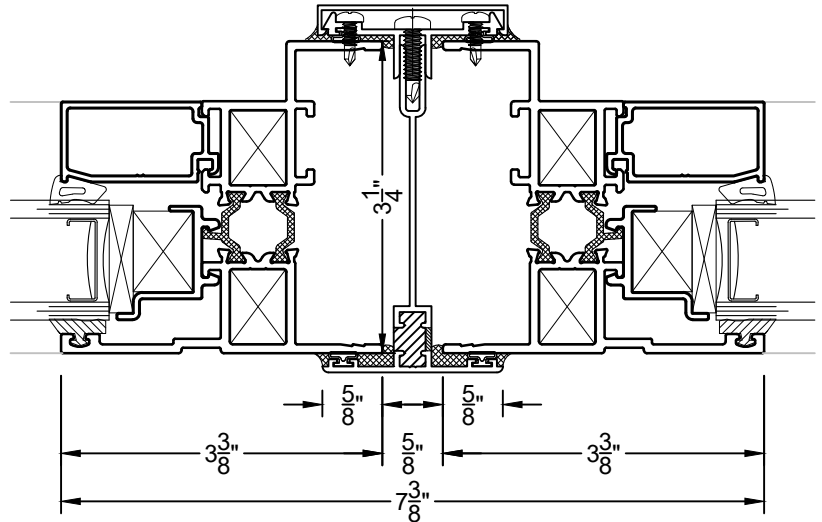
PW8810-2V & PW8810-2H WITH H MULLION



5 H MULLION
 PW8810 & PW8810



PW8810-3V & PW8810-3V (3/4\"/>



6 3PC MULLION
 PW8810 & PW8810