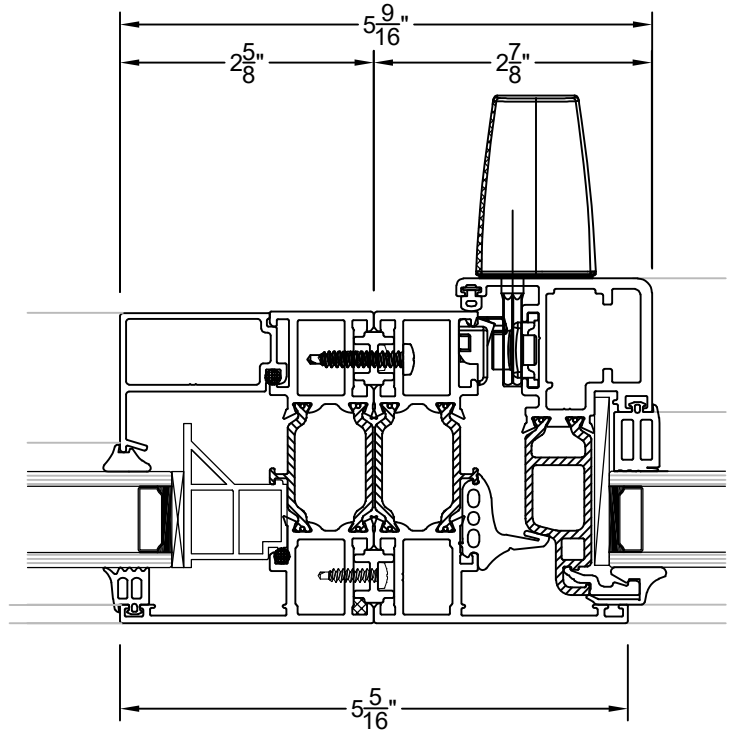


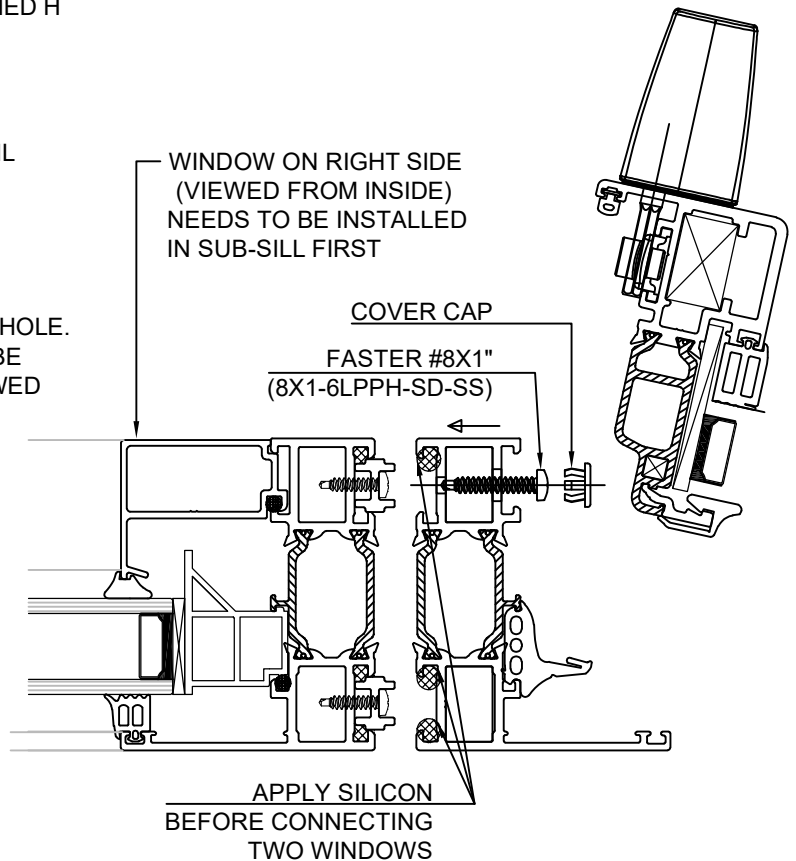
9200 T&T OVER FX & FX OVER WITH H MULLION

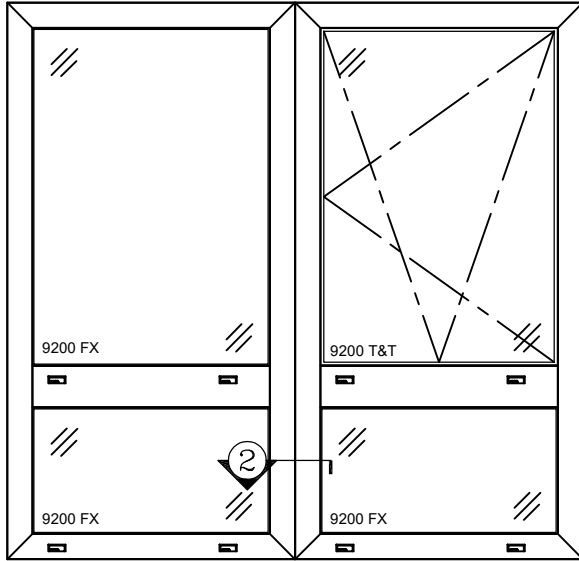


① **INTERIOR MULLION**
9200 TT & FX

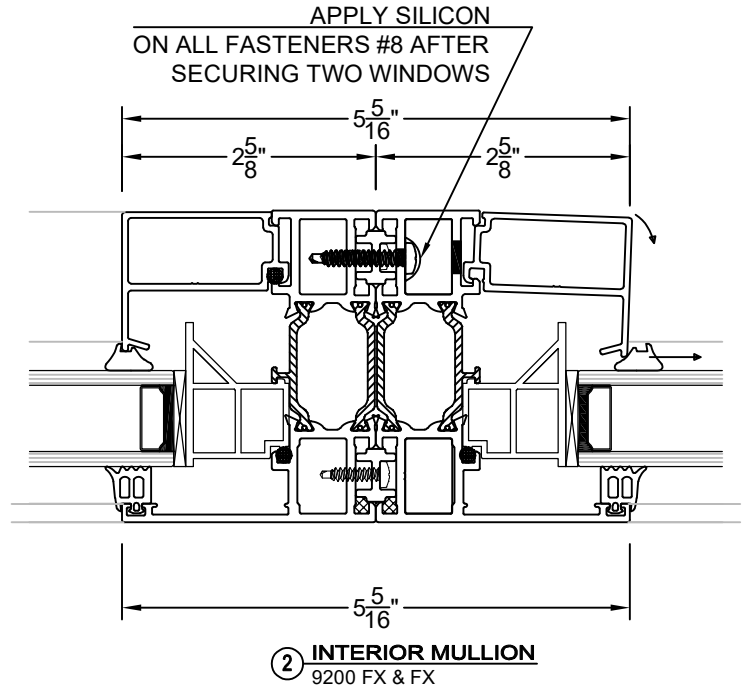
INSTALLATION STEPS FOR JOINING T&T TO FIX

1. INSTALL WINDOW ON RIGHT SIDE FIRST (VIEWED FROM INSIDE). THIS WINDOW IS WITH APPLIED H MULLION ON ITS LEFT SIDE.
2. APPLY SILICON ON THE FRAME JAMB CONTINUOUSLY FROM TOP TO BOTTOM, LOCATED AS PER DETAIL.
3. USE CLAMPS TO JOIN TWO WINDOWS UNTIL THERE IS NO GAP IN BETWEEN.
4. OPEN SASH, REMOVE LIMIT DEVICE
SECURE TWO FRAMES WITH FASTENER
SIZE #8 LONG 1" (8X1-6LPPH-SD-SS)
THRU PREDRILLED HOLES EVERY 12".
5. PUT COVER CAP AT SASH SIDE ON EVERY HOLE.
6. TYPICALLY PRE-DRILLED HOLES SHOULD BE LOCATED ON WINDOW ON LEFT SIDE (VIEWED FROM INSIDE)





9200 T&T OVER FX & FX OVER WITH H MULLION



INSTALLATION STEPS FOR JOINING FIX TO FIX

1. INSTALL WINDOW ON RIGHT SIDE FIRST (VIEWED FROM INSIDE). THIS WINDOW IS WITH APPLIED H MULLION ON ITS LEFT SIDE.
2. APPLY SILICON ON THE FRAME JAMB CONTINUOUSLY FROM TOP TO BOTTOM, LOCATED AS PER DETAIL.
3. USE CLAMPS TO JOIN TWO WINDOWS UNTIL THERE IS NO GAP IN BETWEEN. REMOVE INNER GASKET AND GLAZING BEAD AS PER DETAIL. SECURE TWO FRAMES WITH FASTENER SIZE #8 LONG 1" (8X1-6LPPH-SD-SS) THRU PREDRILLED HOLES EVERY 12".
4. CAULK ON TOP OF SCREW #8 AFTER INSTALLATION.
5. RETURN GLAZING BEAD IN PLACE AND SECURE WITH GASKET
6. TYPICALLY PRE-DRILLED HOLES SHOULD BE LOCATED ON WINDOW ON LEFT SIDE (VIEWED FROM INSIDE)

