

INSTALLATION GUIDE TO CONCEAL HOLES DUE TO SCREEN REMOVAL



CRYSTAL WINDOW & DOOR SYSTEMS
31-10 WHITESTONE EXPWY. FLUSHING NY 11354
TEL. 718.961.7300

VER 09.03.24

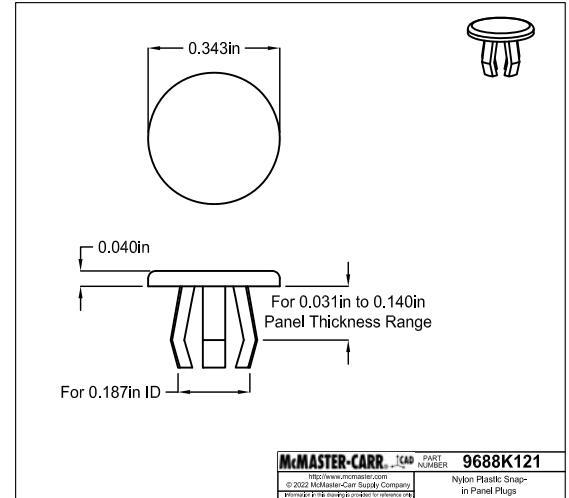
PAGE 1 OF 1

To conceal the holes due to the removal of screen clips, CWD recommends Nylon Plastic Snap-in Plugs available from McMaster-Carr in:

-Black and Off-White (Part # 9688K211)

Specs:

Style	1
For Shape	Round
Plug Type	Snap In
For ID	3/16"
For Panel Thickness	0.031"-0.14"
Head	
Diameter	3/8"
Height	0.04"
Material	Nylon Plastic
Maximum Temperature	180° F
Hardness	Rockwell R120
RoHS	RoHS 3 (2015/863/EU) Compliant
REACH	Not Compliant
DFARS	Specialty Metals COTS-Exempt
Country of Origin	United States
USMCA Qualifying	Yes
Schedule B	392350.0000
ECCN	EAR99



NOT TO SCALE - FOR REFERENCE ONLY

Tapered prongs or a snap-in ring securely hold these plugs in place.

Style 1 and 2 plugs have tapered prongs to hold them in place. Made of nylon, they have good wear resistance.



EXPOSED $\frac{3}{16}$ " HOLE WITH SCREEN CLIP REMOVED



NYLON PLASTIC SNAP-IN PLUG INSTALLED ON A BRONZE FINISH 8500 SERIES

