

SERIES 4500 TILT & TURN, IN-SWING, AND FIXED WINDOW

TYPE	TEST SIZE W X H	AAMA RATING	AIR INFILTRATION	STRUCTURAL LOAD	WATER RESISTANCE	U- FACTOR	SHGC	OITC
FIXED	60" x 99"	AW-PG70	≤0.10 cfm/ft ²	105 psf	12-15 psf	0.18-0.34	0.13-0.48	25-31
FIXED	72" x 72"	CW-PG75	≤0.10 cfm/ft ²	112 psf	12-15 psf	0.18-0.34	0.13-0.48	25-31
TILT & TURN	48" x 71"	CW-PG95	≤0.20 cfm/ft ²	143 psf	12-15 psf	0.20-0.34	0.11-0.50	25-37
TILT & TURN	60" x 99"	AW-PG70	≤0.20 cfm/ft ²	105 psf	12 psf	0.20-0.34	0.11-0.50	25-37

TABLE OF CONTENTS

○ INSWING CASEMENT / TILT & TURN - Z60	-P2
○ INSWING CASEMENT / TILT & TURN - Z74	-P3
○ INSWING CASEMENT / TILT & TURN - Z98	-P4
○ FIXED	-P5
○ IMPOST	-P6-P8
○ 3-LITE CONFIGURATIONS	-P9-P11
○ ALUMINUM ACCESSORIES	-P12-P13
○ ACCESSORIES	-P14-P15
○ MULLIONS	-P16
○ GLAZING OPTIONS	-P17
○ HANDLE OPTIONS	-P18

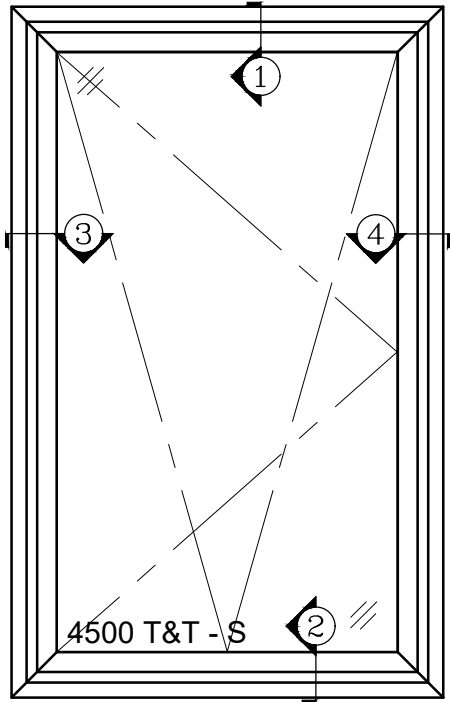
FEATURES

- 2-3/8" FRAME DEPTH
- 1" DOUBLE PANE INSULATED GLASS
- uPVC FORMULATION
- TITANIUM DIOXIDE STABILIZERS & IMPACT MODIFIERS
- AVERAGE SURFACE GLOSS LEVEL
- DURABLE MULTI-CHAMBER DESIGN W/ STEEL REINFORCEMENT
- COMPRESSION-SEAL TECHNOLOGY
- MULTI-POINT LOCKING SYSTEM

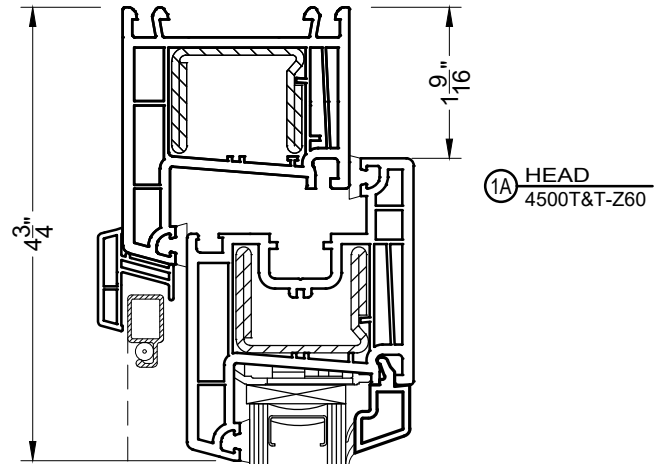
OPTIONAL SELECTIONS

- LOW-E COATING & ARGON FILLED IGU
- CUSTOM FINISH AND CUSTOM COLOR
- 1-3/8" OR 2-1/16" IGU GLAZING POCKETS
- GRIDS
- FULL SCREEN
- LIMIT DEVICES (NYC DOH APPROVED)
- EXTENDED LEVER HANDLE
- OTHER OPTIONAL ACCESSORIES
- 3-1/4" FRAME DEPTH

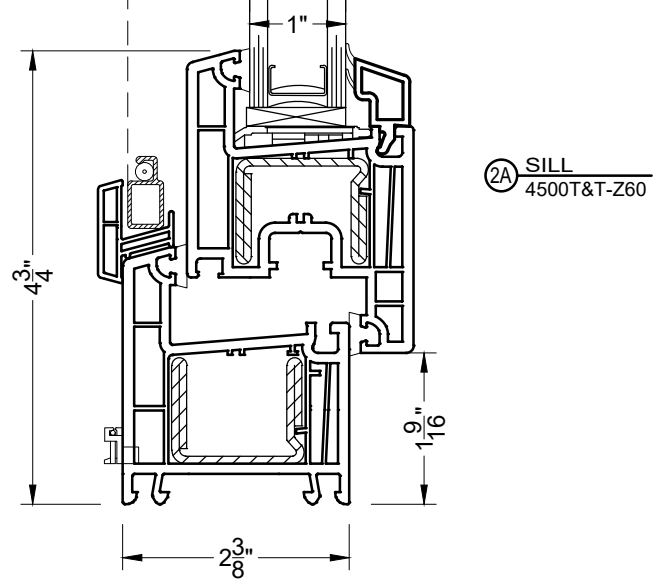
IN SWING CASEMENT / TILT & TURN- Z60 SASH



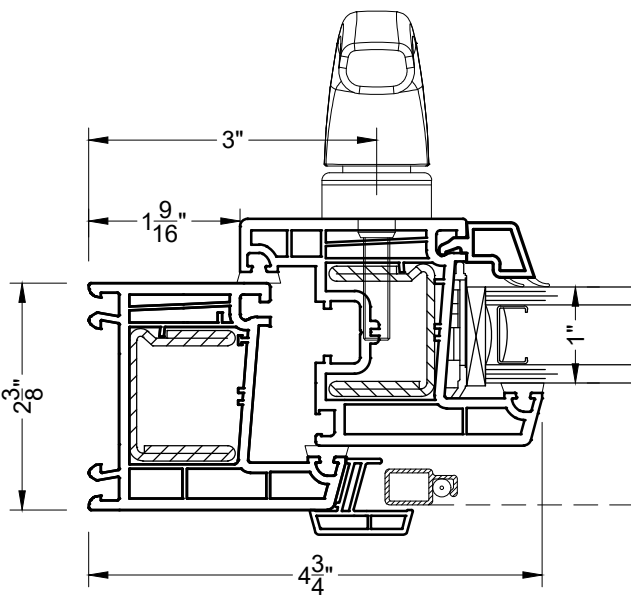
4500 TILT & TURN WINDOW - Z60



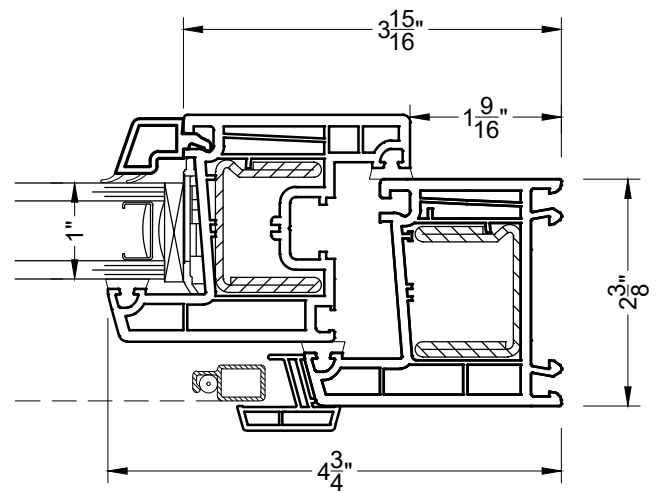
①A HEAD
4500T&T-Z60



②A SILL
4500T&T-Z60

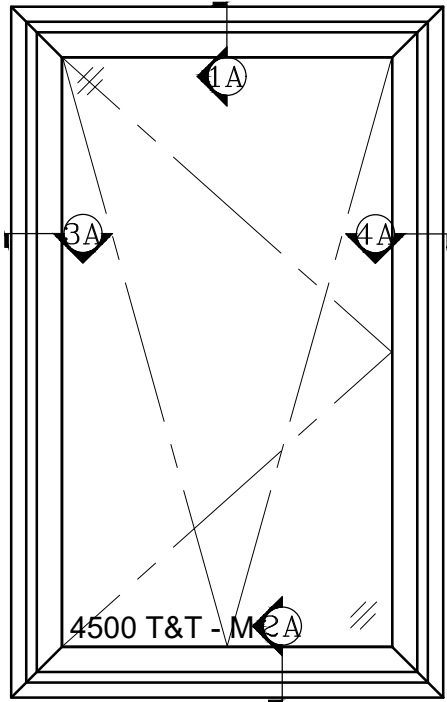


③ JAMB (HANDLE)
4500T&T-Z60

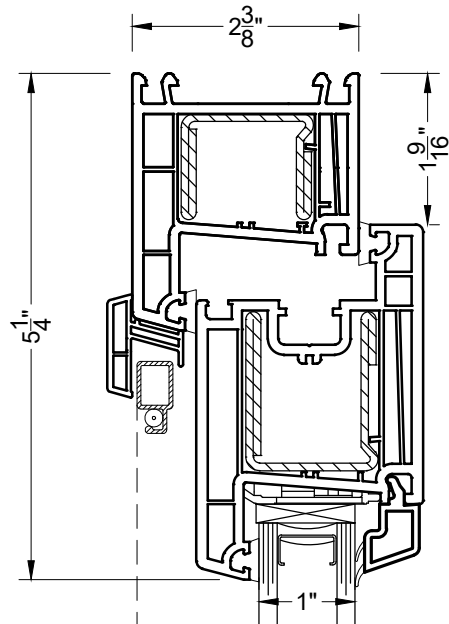


④ JAMB (HINGE)
4500T&T-Z60

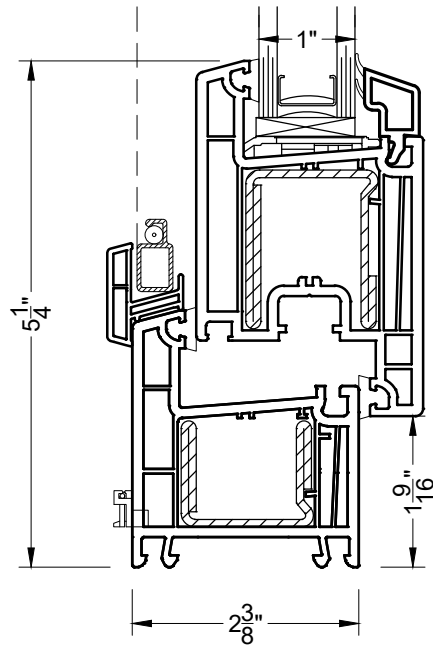
IN SWING CASEMENT / TILT & TURN- Z74 SASH



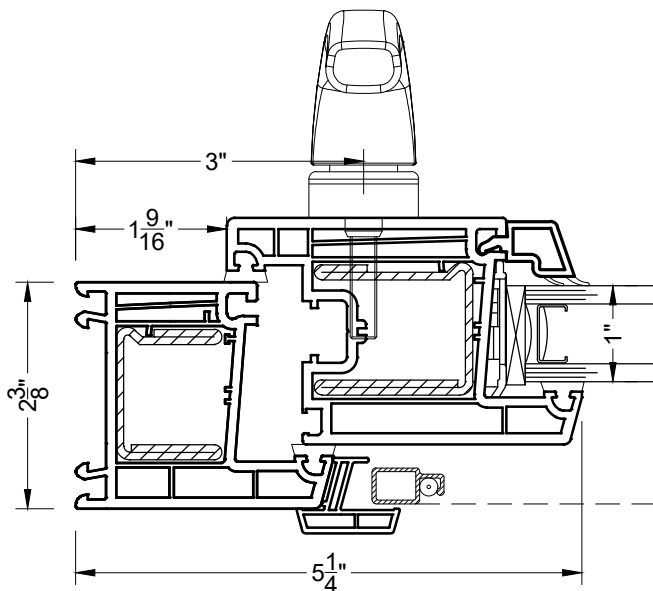
4500 TILT & TURN WINDOW - Z74



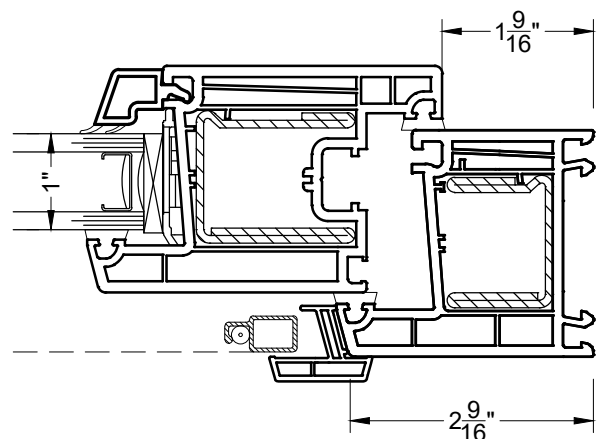
1A HEAD
4500T&T-Z74



2A SILL
4500T&T-Z74



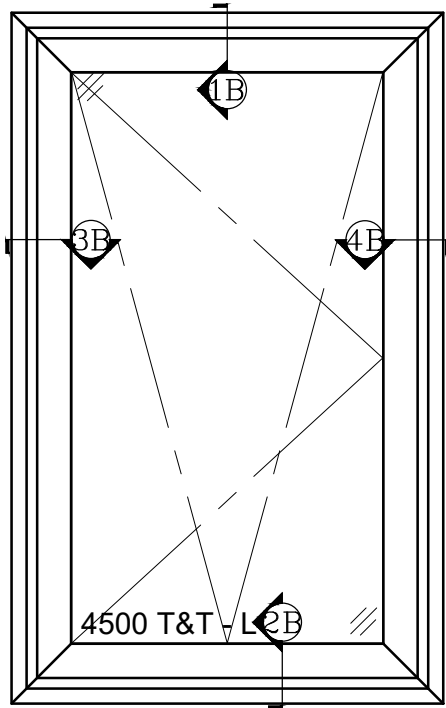
3A JAMB (HANDLE)
4500T&T-Z74



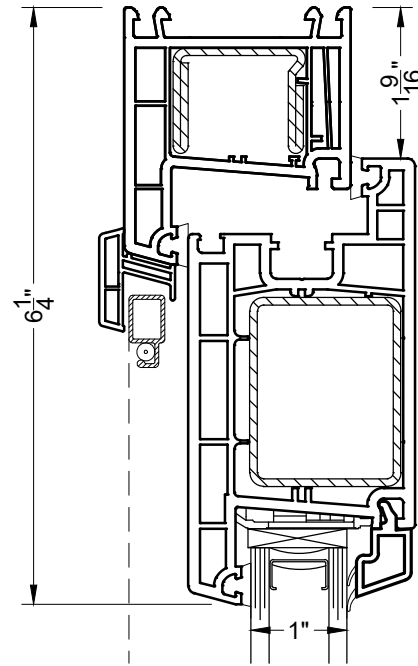
4A JAMB (HINGE)
4500T&T-Z74

VER: 2025.01

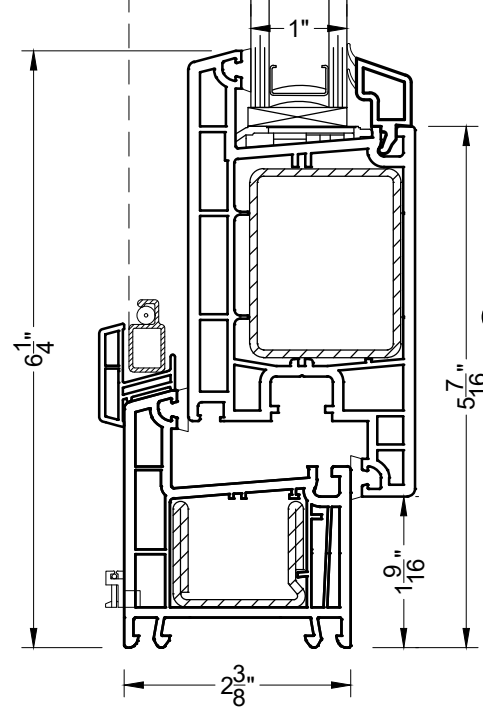
IN SWING CASEMENT / TILT & TURN- Z98 SASH



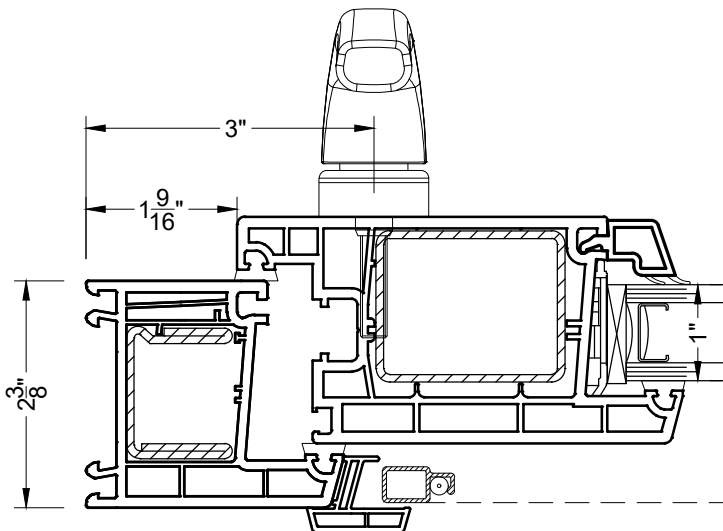
4500 TILT & TURN WINDOW - Z98



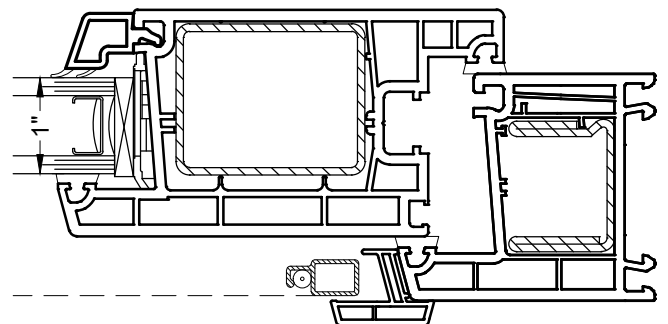
1B HEAD
4500T&T-Z98



2B SILL
4500T&T-Z98



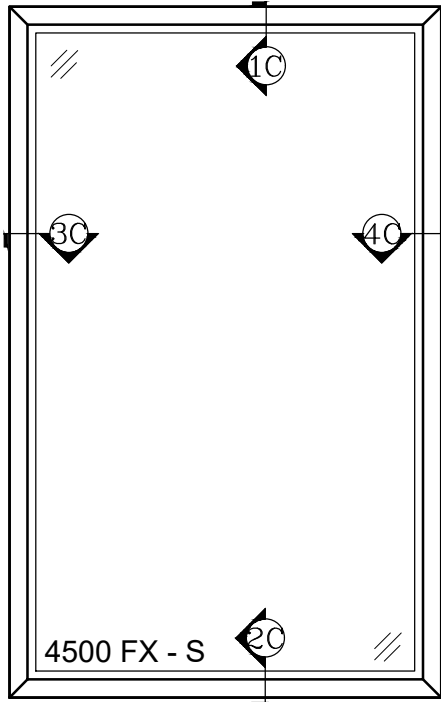
3B JAMB (HANDLE)
4500T&T-Z98



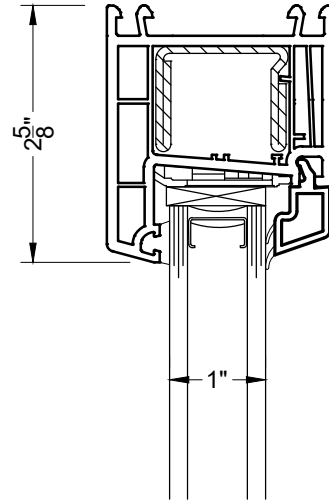
4B JAMB (HINGE)
4500T&T-Z98

VER: 2025.01

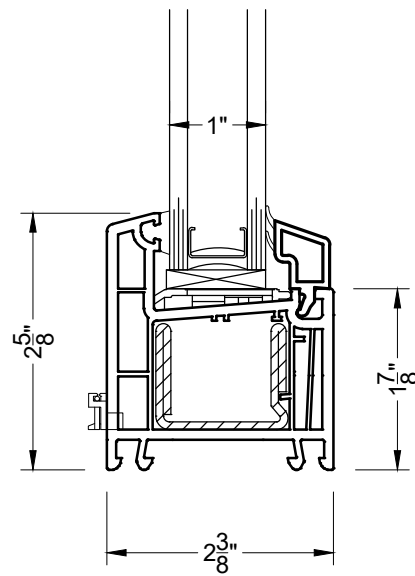
FIXED



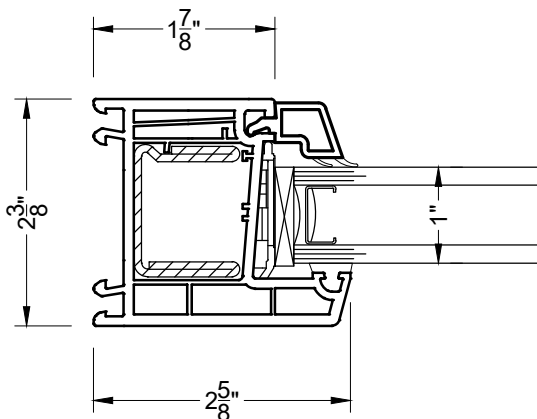
4500 FIXED WINDOW



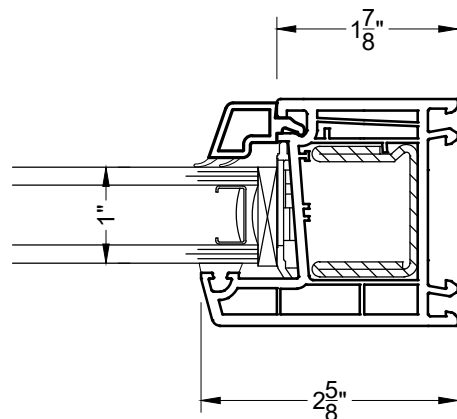
1C HEAD
4500FX



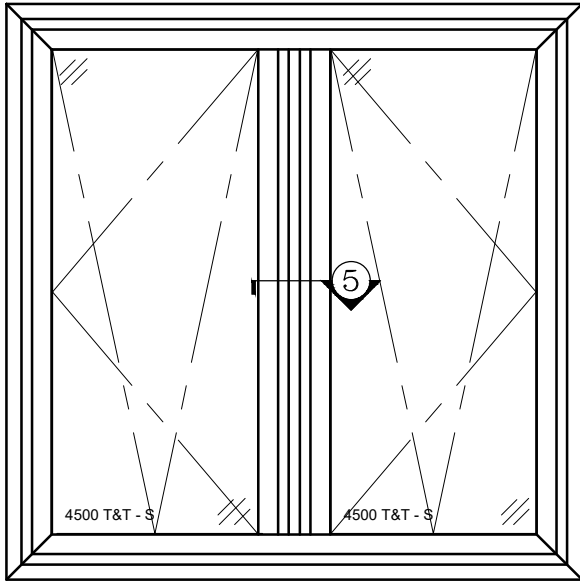
2C SILL
4500FX



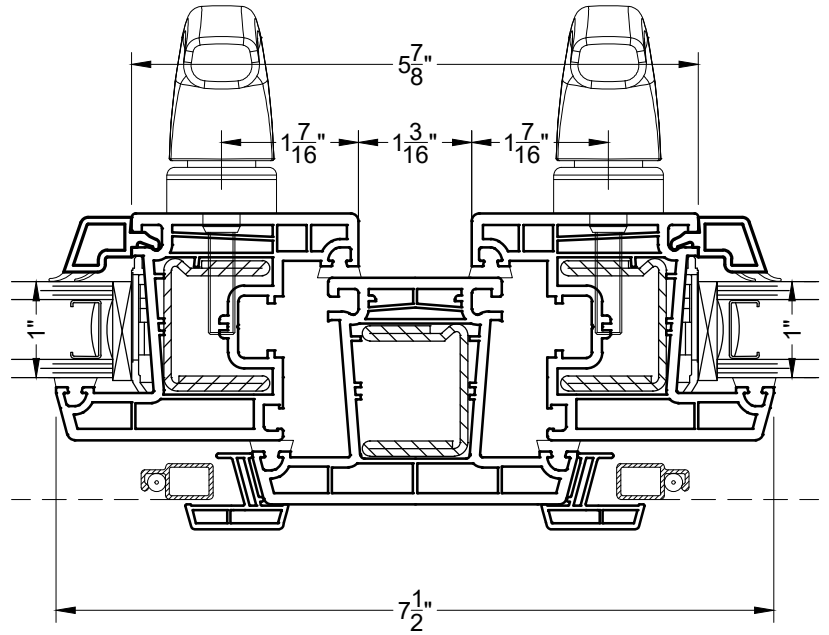
3C JAMB
4500FX



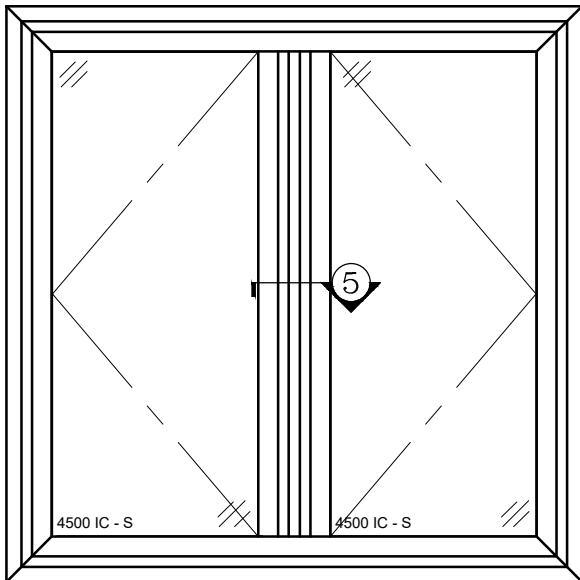
4C JAMB
4500FX



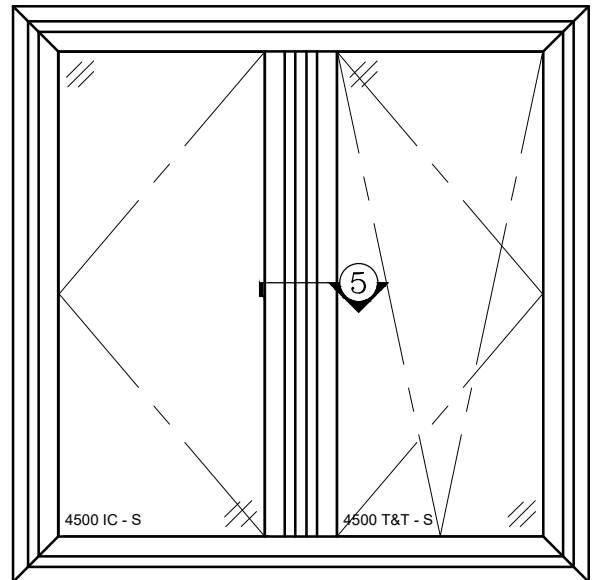
4500 T&T & T&T - Z60 SASH



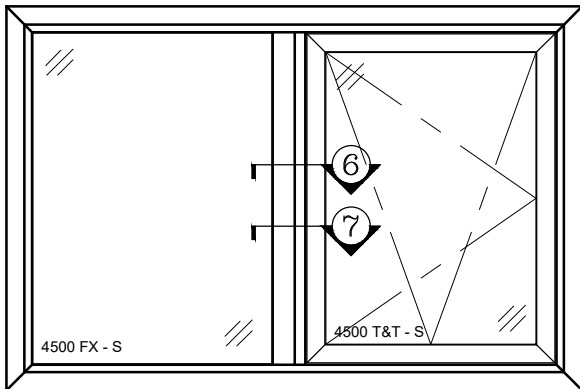
⑤ T IMPOST
4500 TT & IC - T86



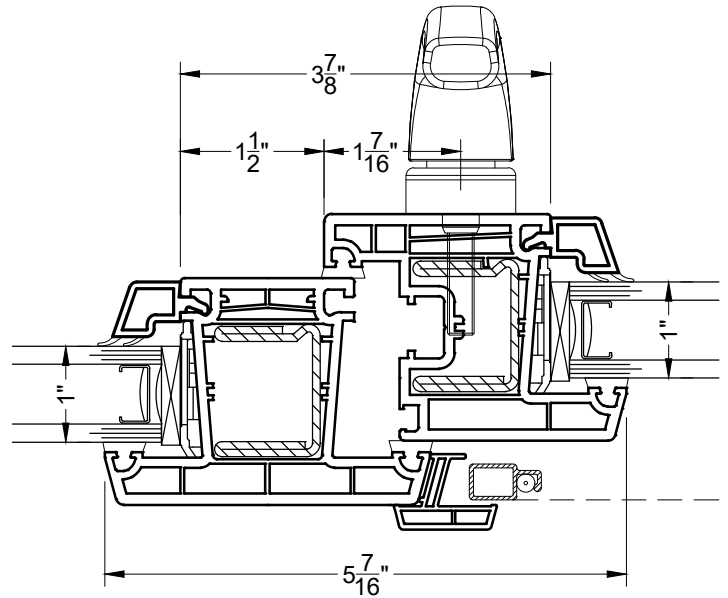
4500 IC & IC - Z60 SASH



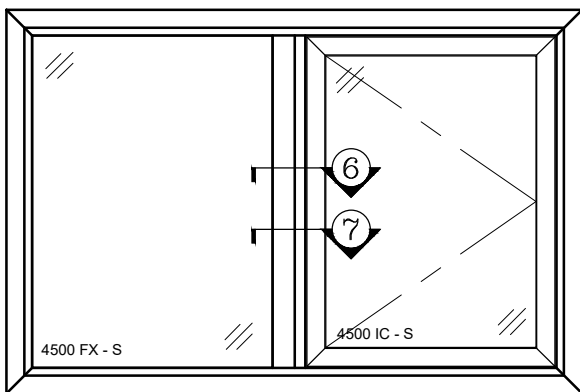
4500 IC & T&T - Z60 SASH



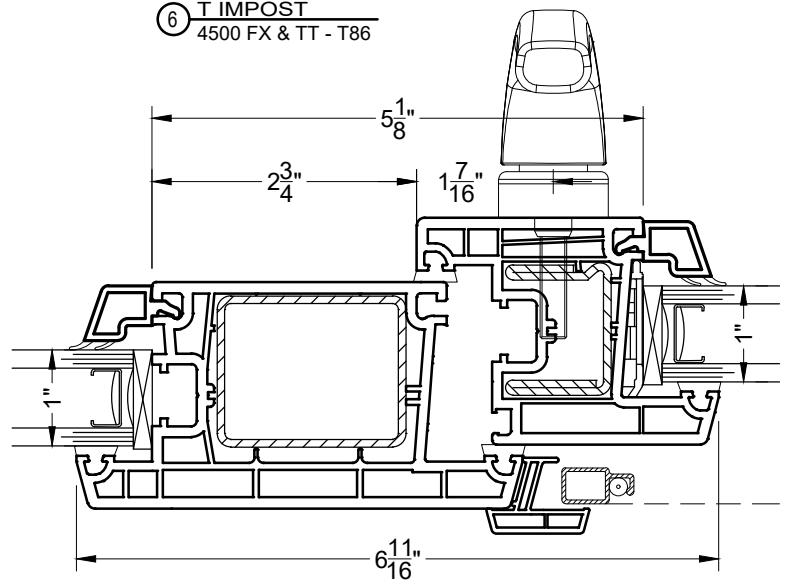
4500 FX & T&T - Z60 SASH



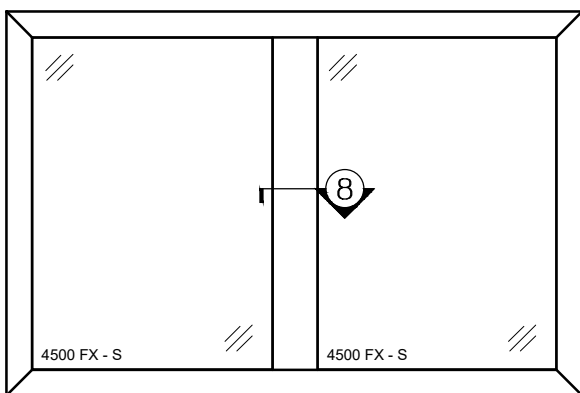
⑥ T IMPOST
4500 FX & TT - T86



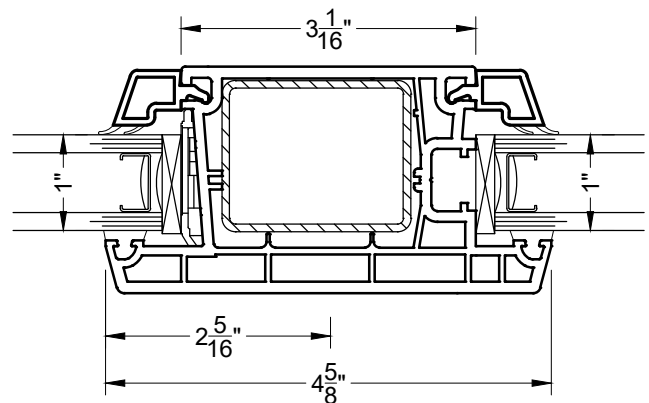
4500 FX & IC - Z60 SASH



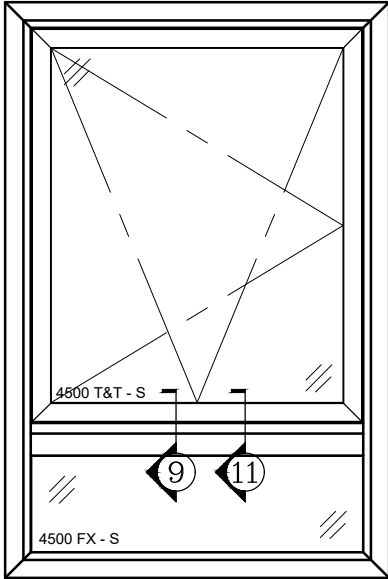
⑦ T IMPOST
4500 FX & IC - T118



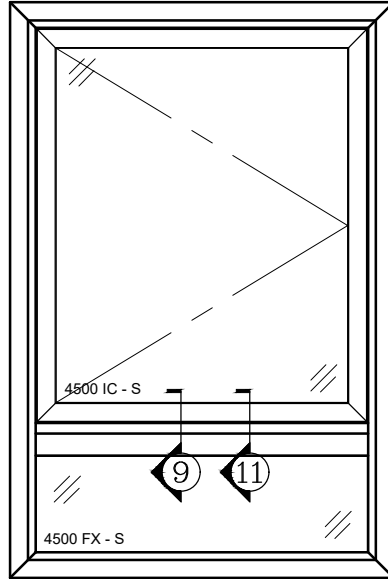
4500 FX & FX - Z60 SASH



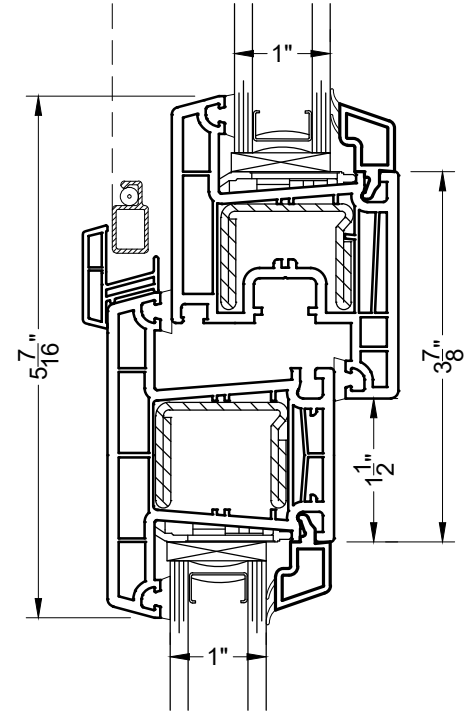
⑧ T IMPOST
4500 FX & FX - T118



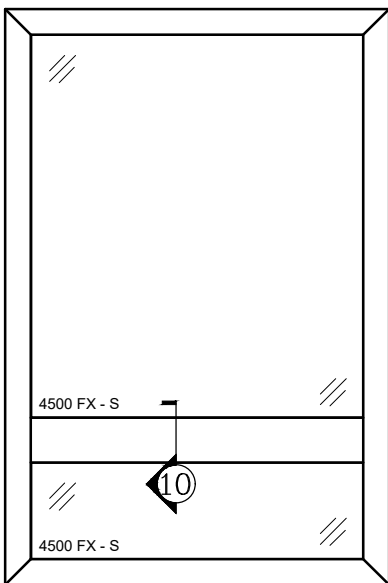
4500 FX OVER T&T - Z60 SASH



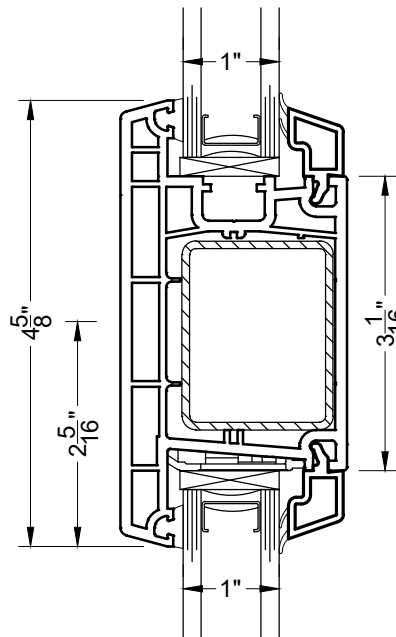
4500 FX OVER IC - Z60 SASH



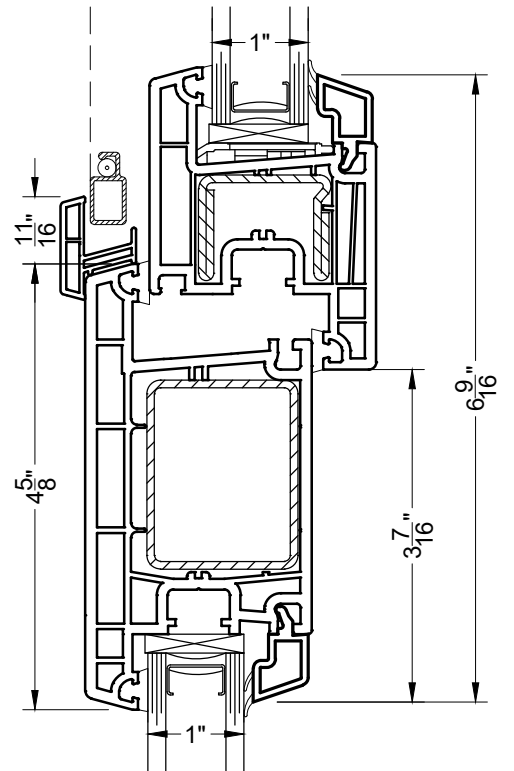
9 T IMPOST
4500 FX OVER TT - T86



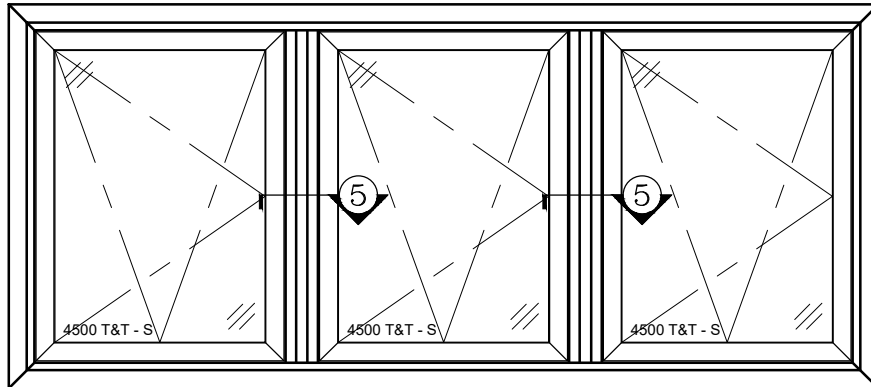
4500 FX OVER FX - Z60 SASH



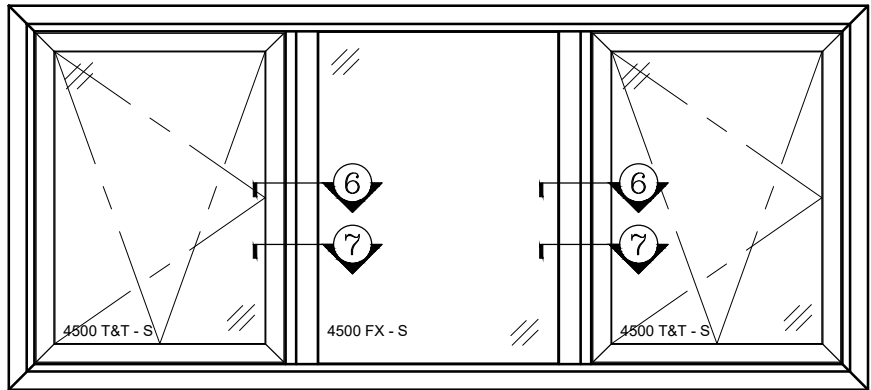
10 T IMPOST
4500 FX OVER FX - T118



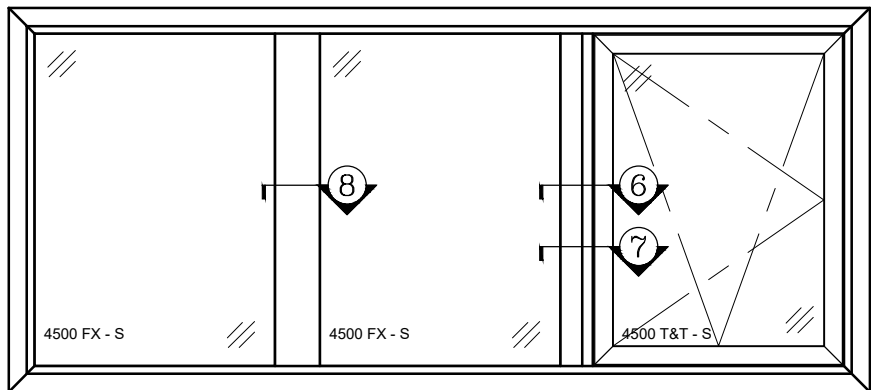
11 T IMPOST
4500 FX OVER FX - T118



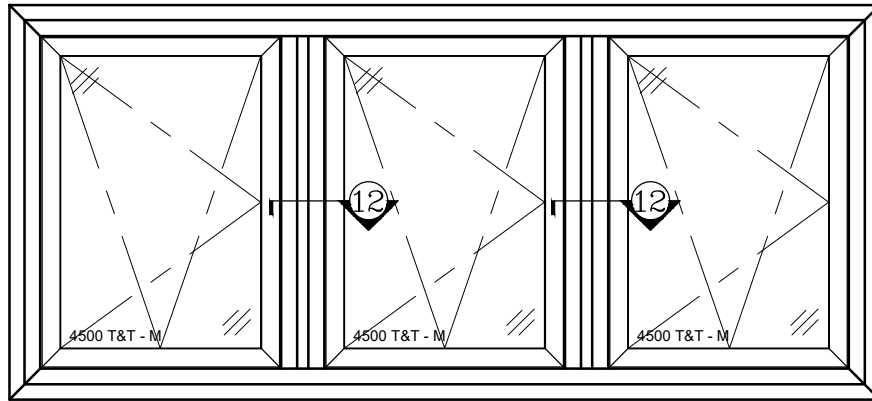
4500 T&T/T&T/T&T - Z60 SASH



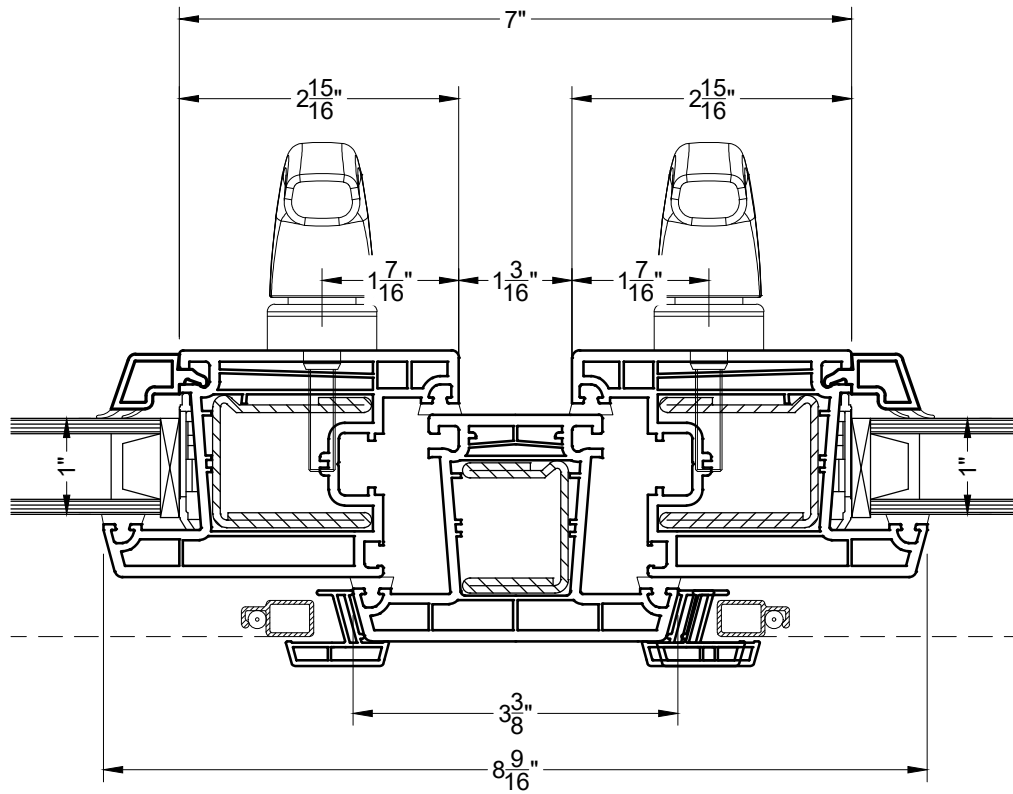
4500 T&T/FX/T&T - Z60 SASH



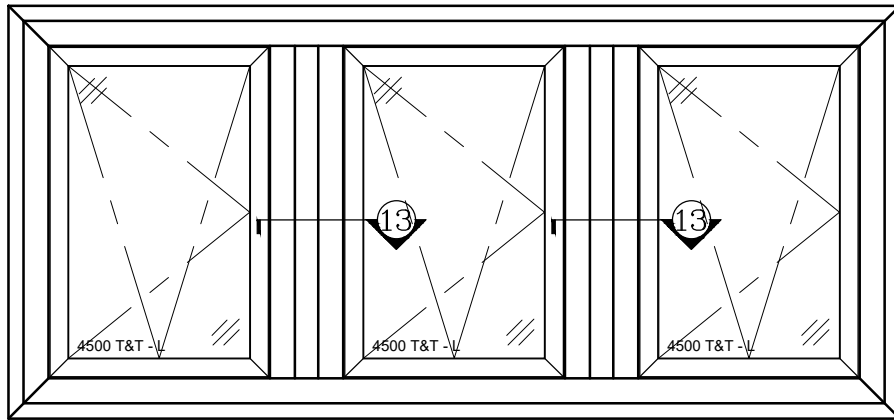
4500 FX/FX/T&T - Z60 SASH



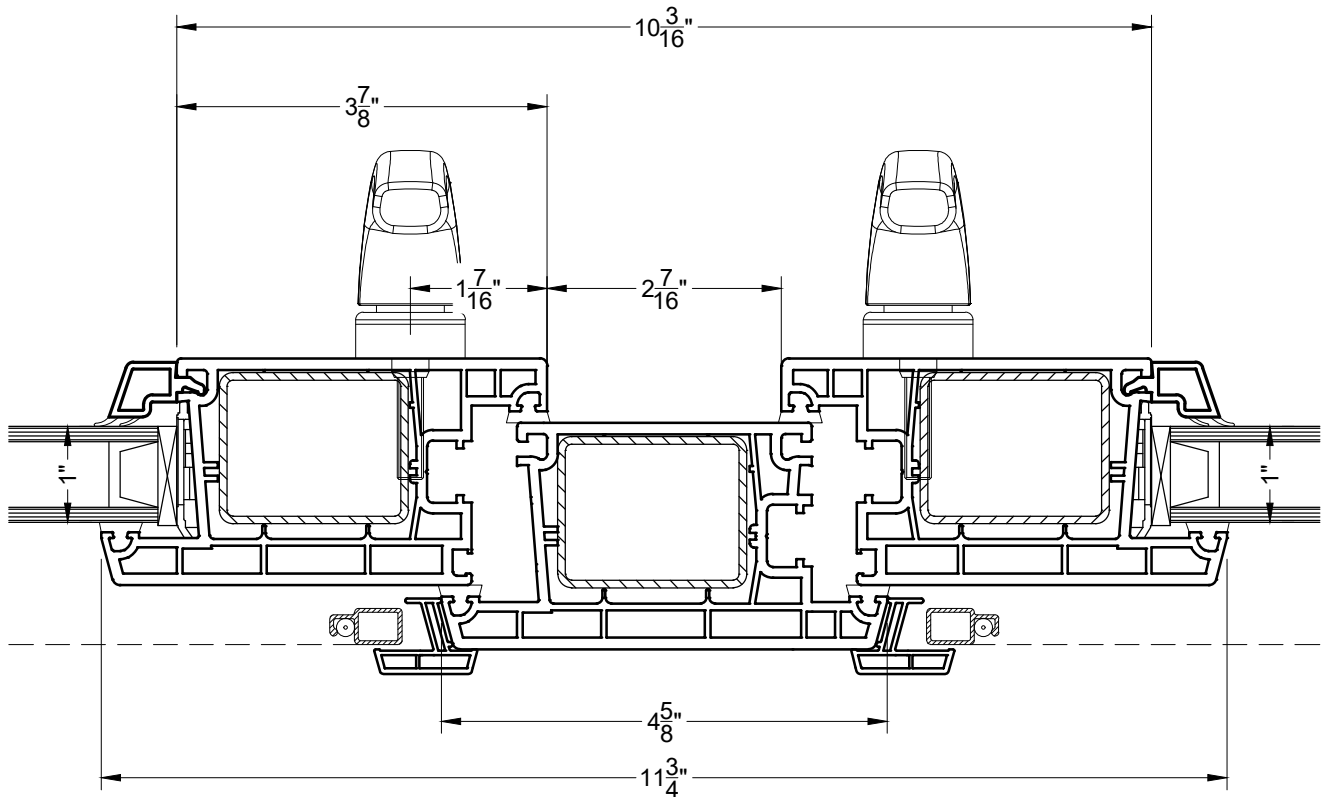
4500 T&T/T&T/T&T - Z74 SASH



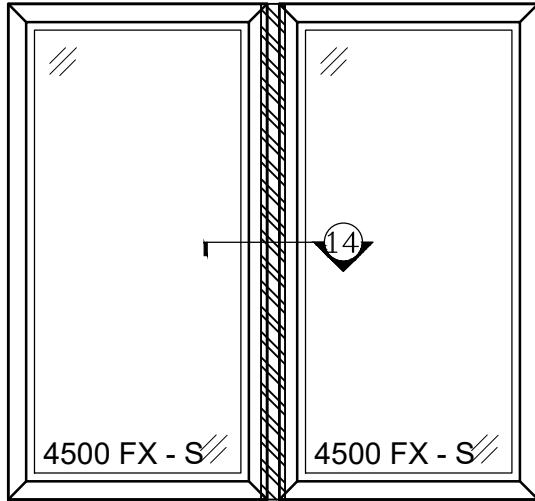
⑫ T IMPOST
4500 TT & TT - T86



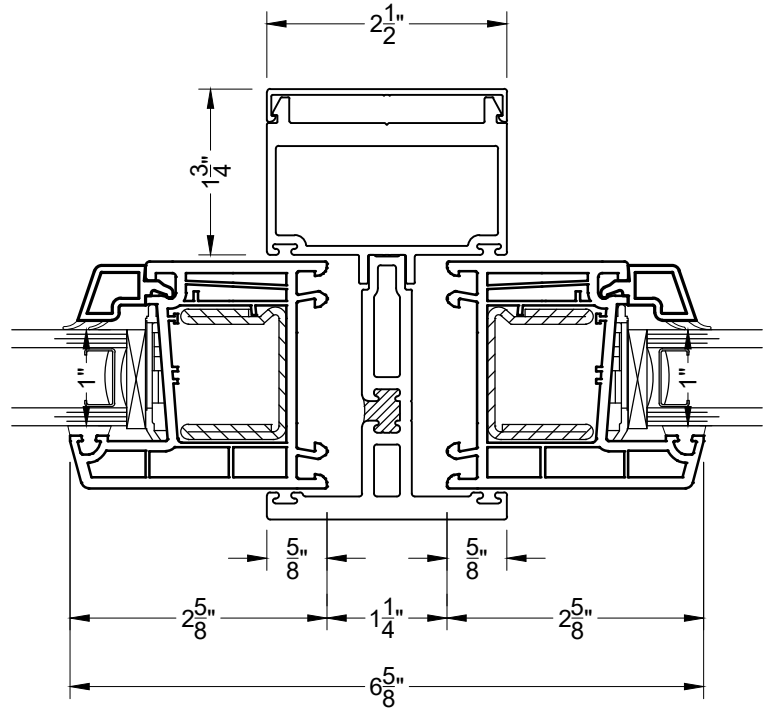
4500 T&T/T&T/T&T - Z98 SASH



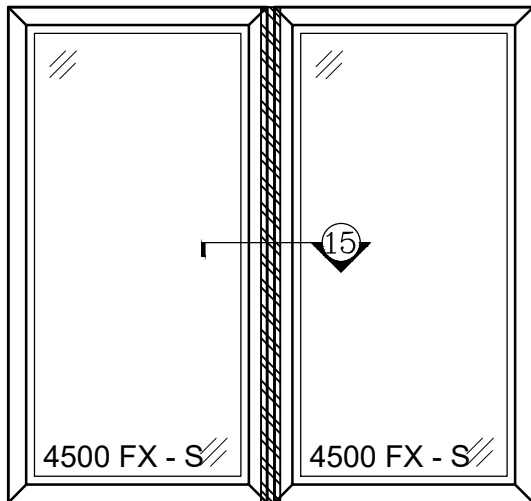
⑬ T IMPOST
4500 TT & TT - T118



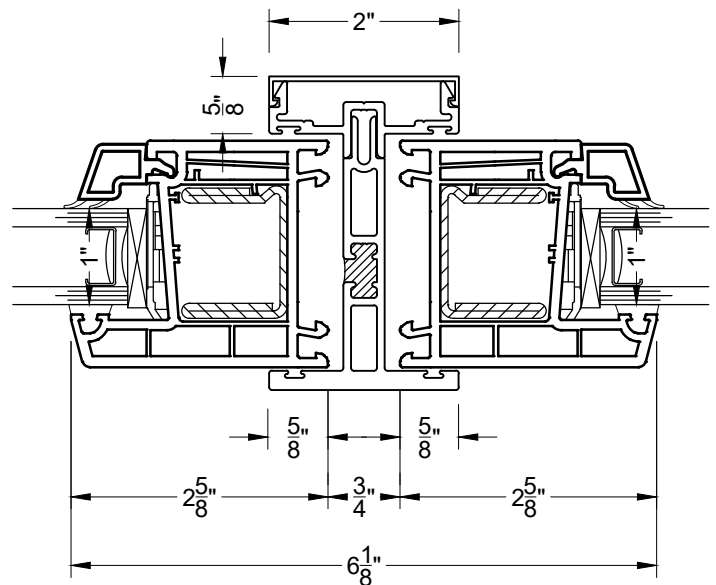
4500FX & 4500FX WITH H1H2 MULLION



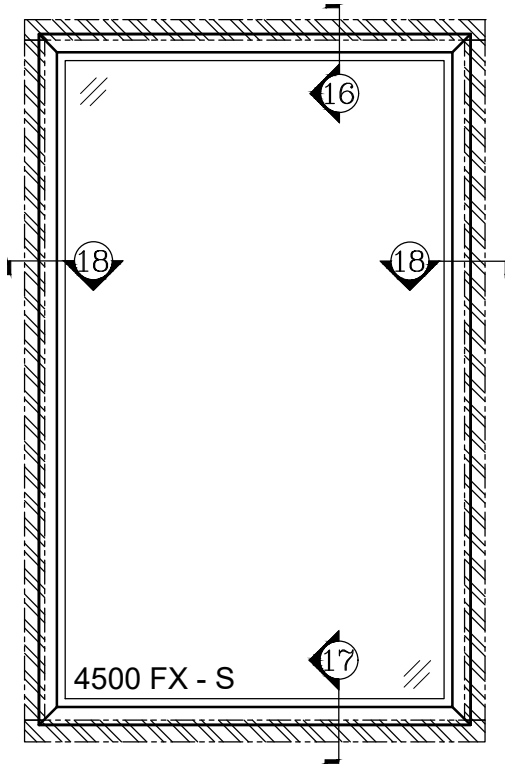
⑭ H1H2 MULLION
4500 FX & 4500 FX



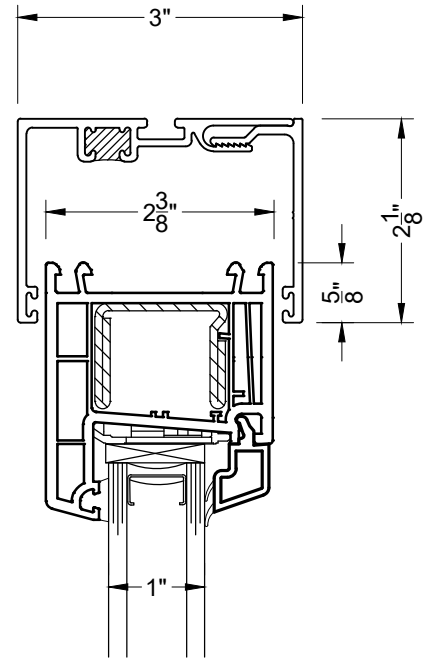
4500FX & 4500FX WITH 3 PIECE MULLION



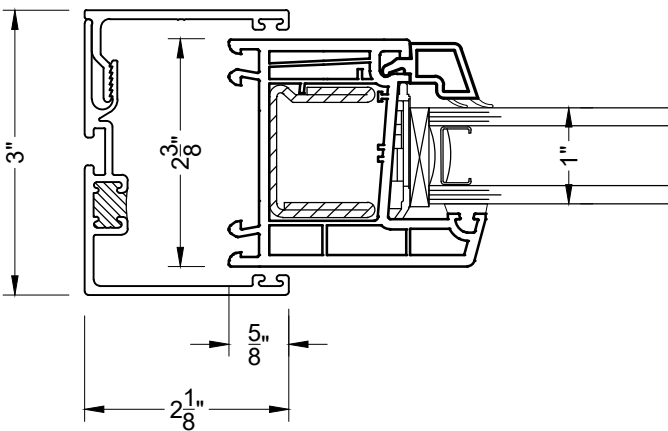
⑮ 3 PIECE MULLION
4500 FX & 4500 FX



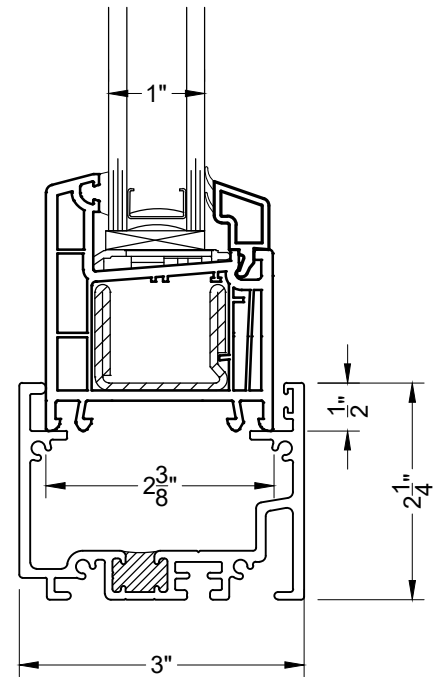
4500 FIXED WINDOW WITH RECEPTOR/SUBSILL SYSTEM



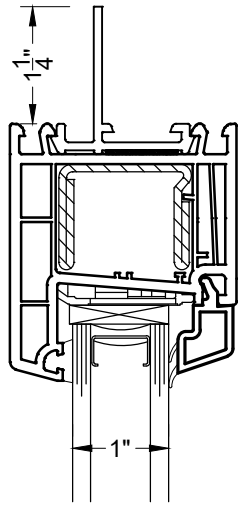
16 2.375" HEAD RECEPTOR
4500



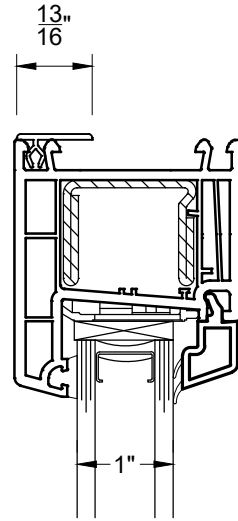
18 2.375" JAMB RECEPTOR
4500



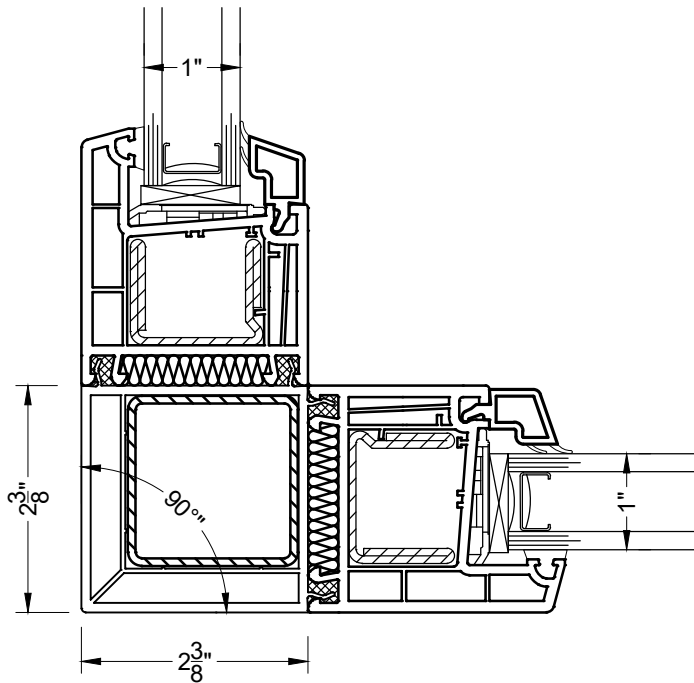
17 2.375" SUBSILL
4500



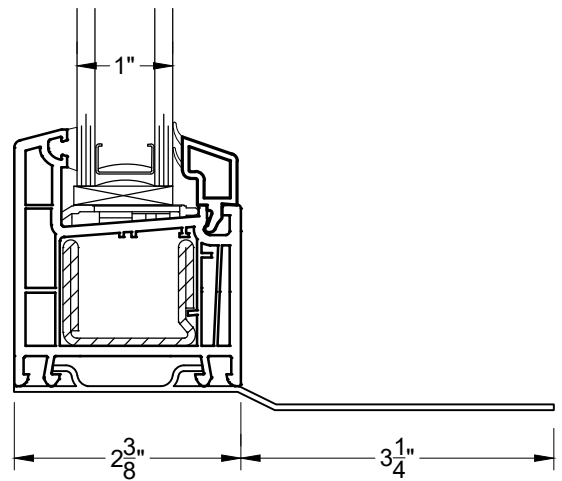
①9 APPLIED EU NAIL FIN
4500



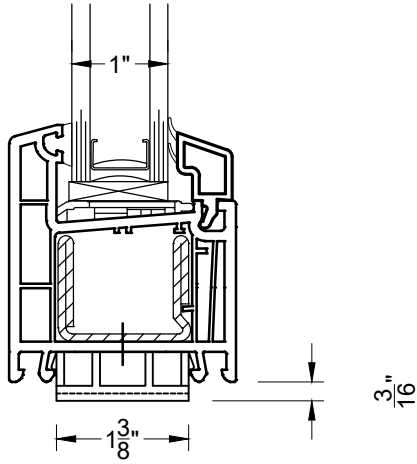
②0 EU CAULK RETURN
4500



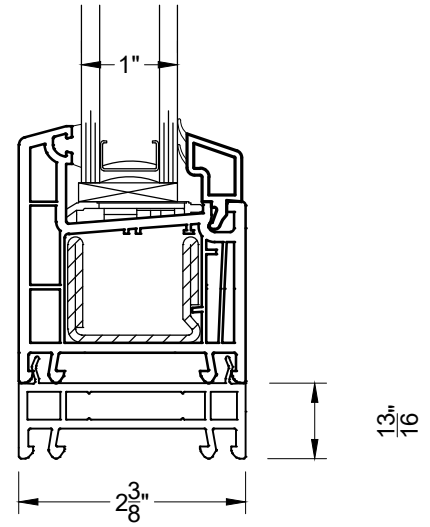
②1 EU 90 DEGREE CORNER MULL
4500



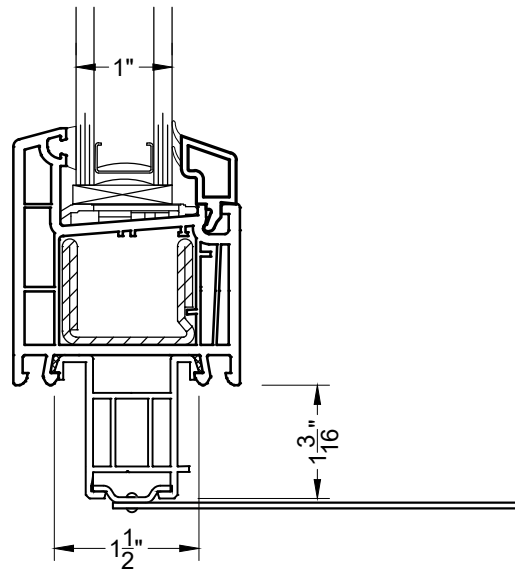
②2 STRAP ANCHOR
4500



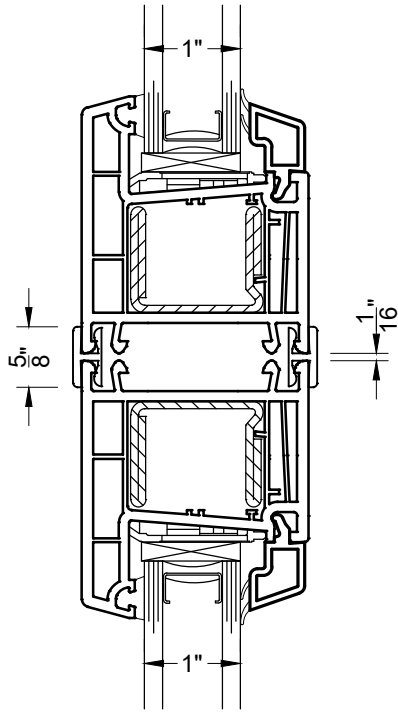
23 3/16" EU SILL EXTENSION
4500



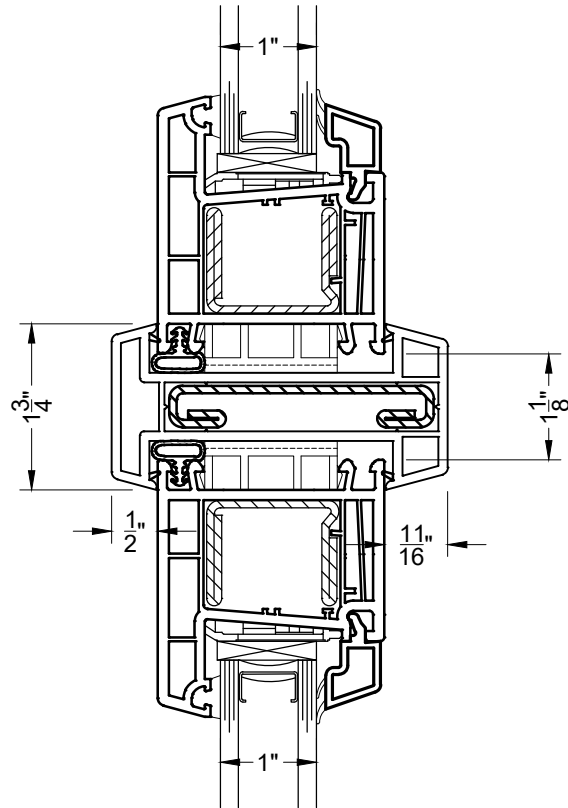
24 13/16" EU SILL EXTENSION
4500



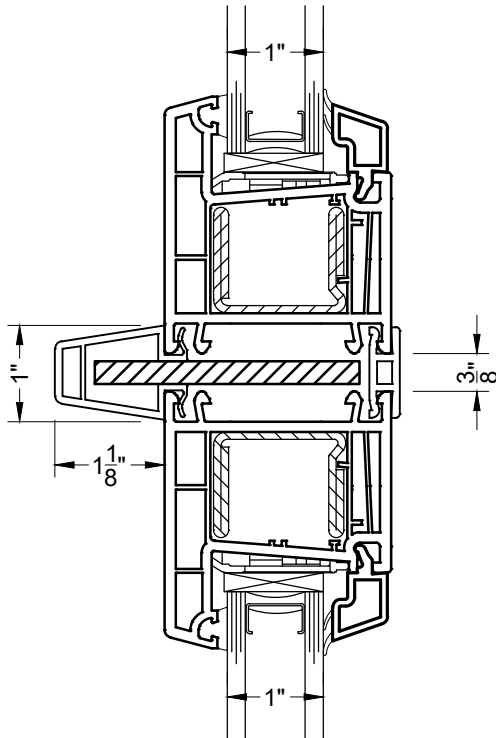
25 1-13/16" EU SILL EXTENSION W/ STRAP ANCHOR
4500



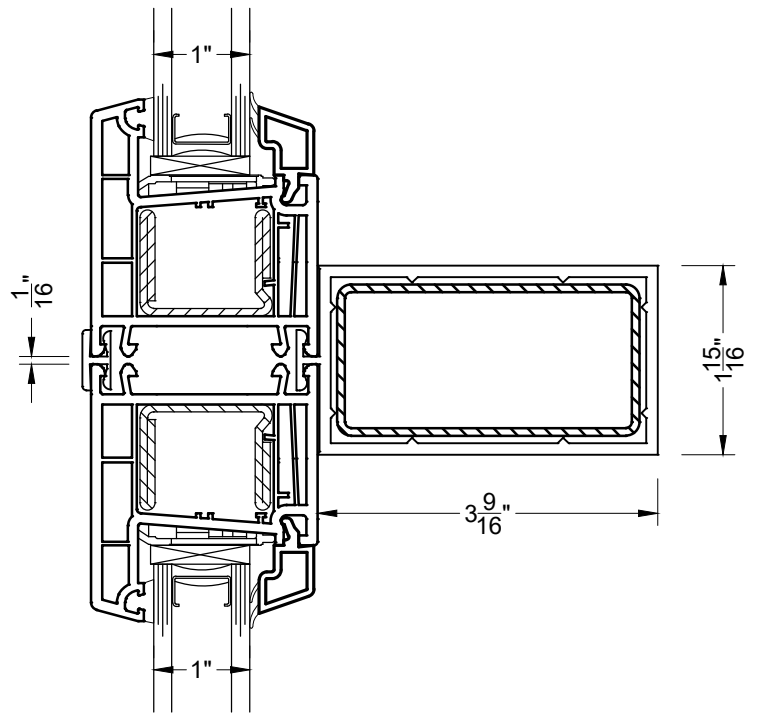
26 FLAT MULLION
4500



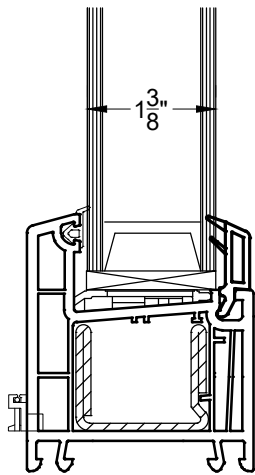
27 1-1/8"X1/2" EXT, 11/16" MULLION
4500



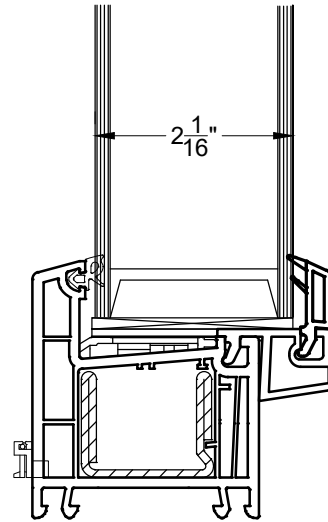
28 3/8"X1-1/8" EXT & INT MULLION
4500



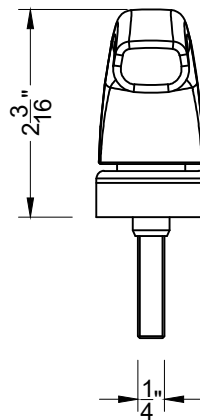
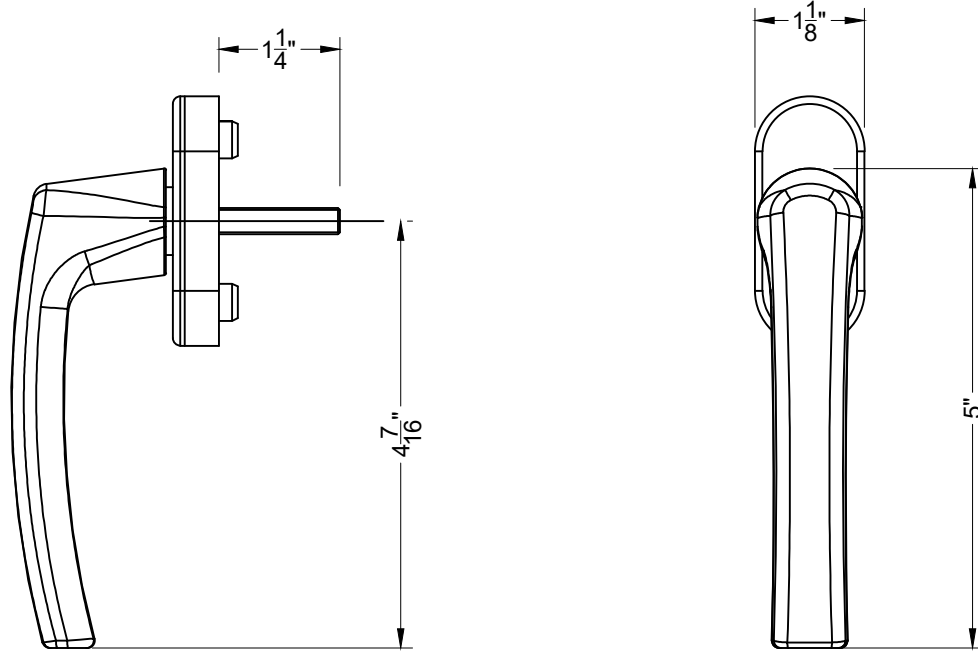
29 1/16"X3-9/16" INTERIOR MULLION
4500



30 1-3/8" IGU FRAME
4500



31 2-1/16" IGU FRAME
4500



HANDLE POSITIONS AND OPERATION