

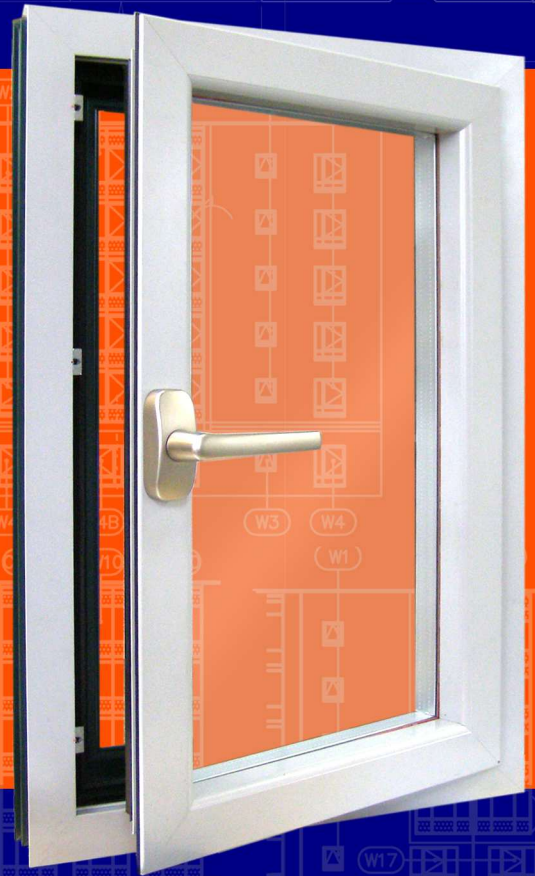
Series 8800/8900

Architectural Rated Thermal Break Projected Aluminum Windows

Discover Crystal's 8800 In-Swing and 8900 Out-Swing aluminum windows, featuring Energy Struct Glazing Technology for superior thermal and acoustical performance. Certified with the prestigious AAMA AW-Class Structural Rating, this line represents the pinnacle of quality in window products.

Why Choose the 8800 Series?

- Effortless Cleaning and Ventilation
- Unrivaled Structural Integrity
- Enhanced Thermal Efficiency with an Innovative Thermal Barrier



Designed with a distinctive exterior profile, European-style hardware, and the versatility of two-tone custom color options, the 8800 series seamlessly blends performance and elegance. Elevate your architectural designs with the most refined and innovative window solution.

Crystal

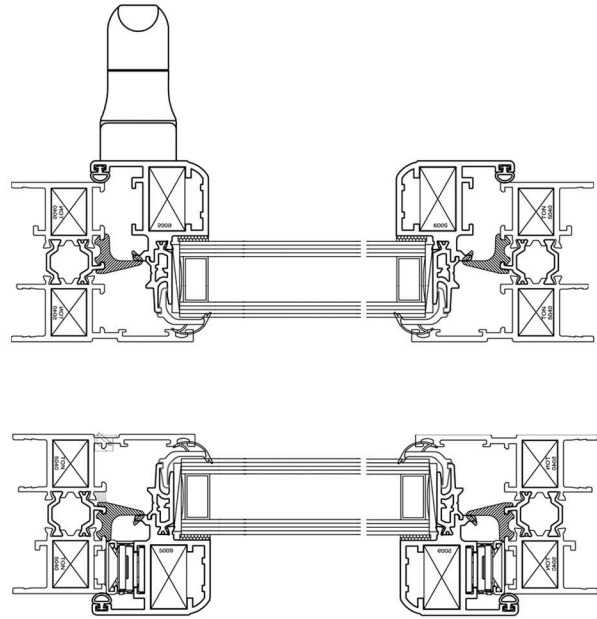
WINDOW & DOOR

Crafted with Passion, Built to Perform™

8800 Evolution Series

Product Features

- . 2⁵/₈" Frame Depth
(Upgraded Option of 8900 with 3¹/₄" Frame Depth)
- . AAMA Rating: AW-PG100
- . 1¹/₄" Overall IGU
- . **Energy Struct+Glazing**
- . Structurally Glazed Sash
- . European-Style Frame and Sash
- . Concealed 4-Bar Hinges
- . Triple Gasket Seal
- . Pressure Equalized Design
- . Zero Sightline Sash
- . European-Style Corner Keys



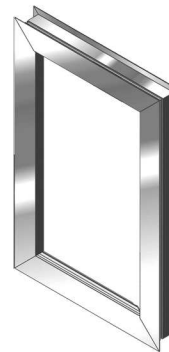
Speak to your Crystal representative regarding the wide array of accessories for anchorage, esthetics, and enhanced performances

Product Performance

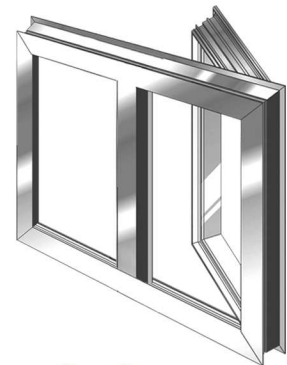
Product	8800
Style	In-Swing Casement
Frame Depth	2+5/8"
Overall IGU Depth	1+1/4"
AAMA Rating	AW-PG100
Whole Window U-Value*	0.37
Water (psf)	15
Uniform Load (psf)	127.5
Wall Thickness	0.093"

* with ESG package

Evolution Product Family



8810f
Fixed



Continuous Master Frame Combo Units

Crystal Window & Door Systems, Ltd.

NYC, NY (HQ) 31-10 Whitestone Expressway, Flushing, NY 11354 | Tel: 800.472.9988/718.961.7300 | Fax: 718.460.4594
SCRANTON, PA 204 Franklin Valley Rd., Dalton, PA 18414 | Tel: 570.276.8000 | Fax: 570.563.5313
CLEVELAND, OH 29299 Clemens Rd. 1-B, Westlake, OH 44145 | Tel: 440.871.8694 | Fax: 440.871.8690
ST. LOUIS, MO 300 Axminister Dr., Fenton, MO 63026 | Tel: 636.305.7880 | Fax: 636.305.7881
CHICAGO, IL 1300 W. 35th st. Chicago, IL 60609 | Tel: 773.376.6688/888.280.3288 | Fax: 773.376.6868
RIVERSIDE, CA 1850 Atlanta Ave., Riverside, CA 92507 | Tel: 951.779.9300 | Fax: 951.779.6300
DALLAS, TX 454 W. Mockingbird Ln, Dallas, TX | Tel: 469.248.3012 | Fax: 469.248.2978
TORONTO, ON 30 West Pearce Street, Richmond Hill, ON, L4B 1E3 | Tel: 905.889.9883 | Fax: 905.889.5891

SCAN ME



Crystal
WINDOW & DOOR



Follow us on:

MANUFACTURER RESERVES THE RIGHT TO CHANGE PRODUCT DESIGNS, SPECIFICATIONS, DETAILS AND PRICING AT ANY TIME WITHOUT PRIOR NOTIFICATION.
© 2024-2025 Crystal Window & Door Systems, Ltd. All Rights Reserved. Printed in USA.
REF V8800 0822