

VINYL SERIES 810 PICTURE WINDOWS

TEST SIZE W x H	AAMA RATING	AIR INFILTRATION	DESIGN PRESSURE	WATER RESISTANCE	U-VALUE	SHGC	VT
72" x 84" TWIN	LC-PG50	≤30 cfm/ft ²	50 psf	7.52 psf	0.22-0.46	0.22-0.67	0.48-0.70

TABLE OF CONTENT

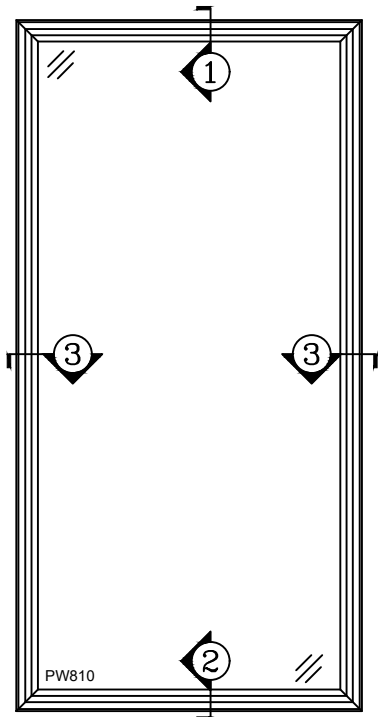
- INTRODUCTION -P1
- SECTION DETAILS -P2-P3
- ACCESSORY OPTIONS -P4-P8

FEATURES

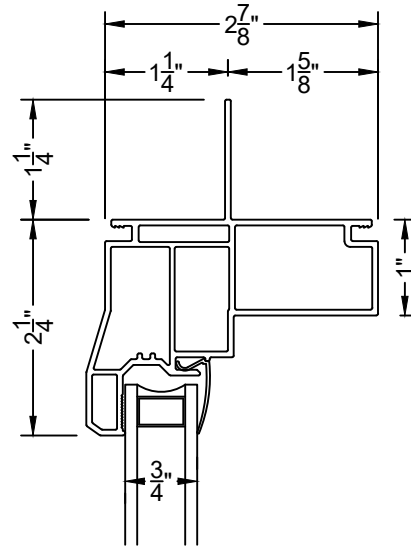
- 2-7/8" FRAME DEPTH
- 3/4" INSULATED GLASS
- LOW-E COATING AND ARGON FILLED IGU
- FUSION WELDED FRAME
- INTEGRAL NAILING FIN

OPTIONAL SELECTIONS

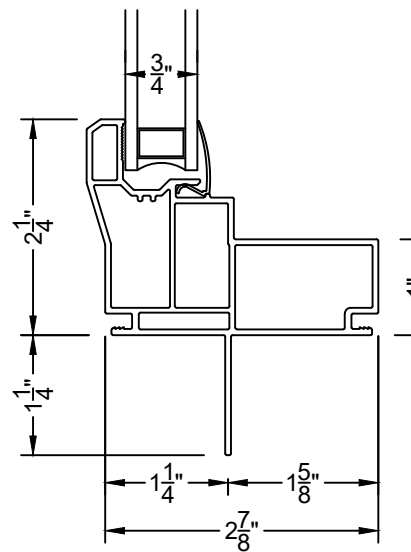
- BLACK AND BRONZE CAPSTOCK
- OTHER OPTIONAL ACCESSORIES



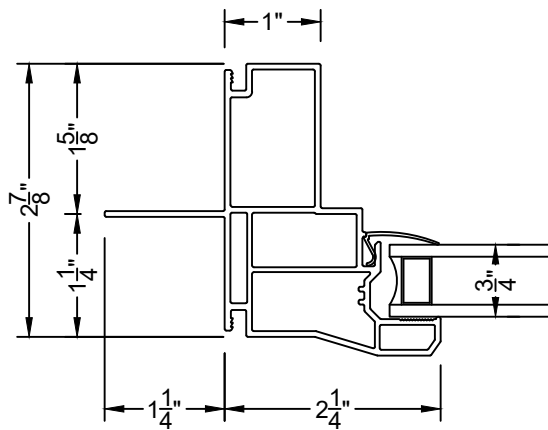
810 PICTURE WINDOW



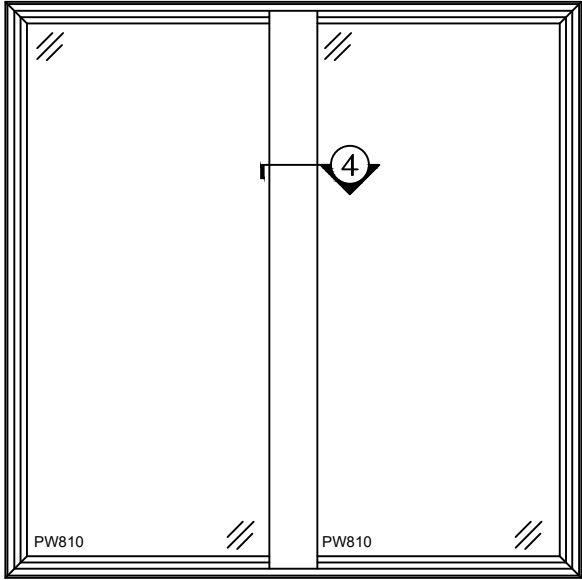
① HEAD
PW810



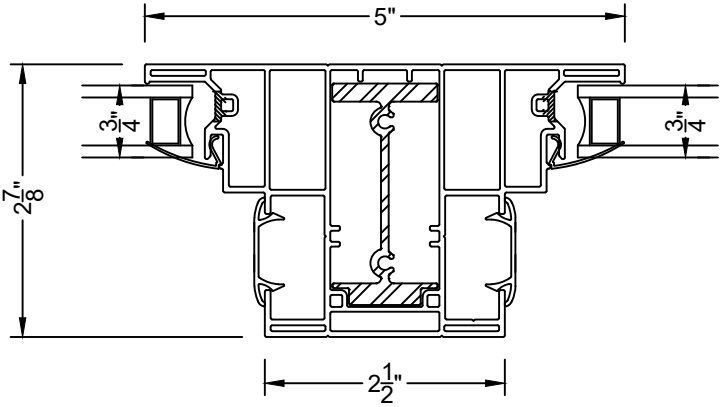
② SILL
PW810



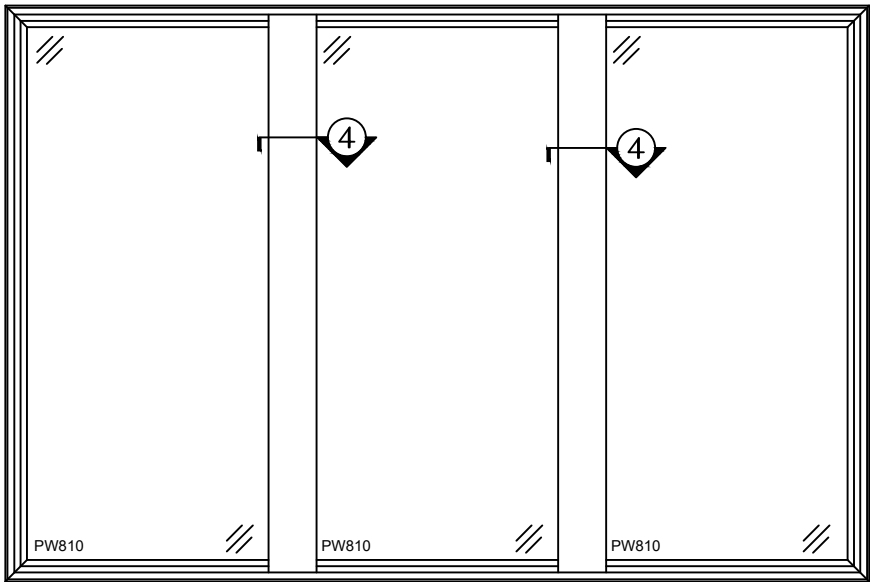
③ JAMB
PW810



TWIN PW810



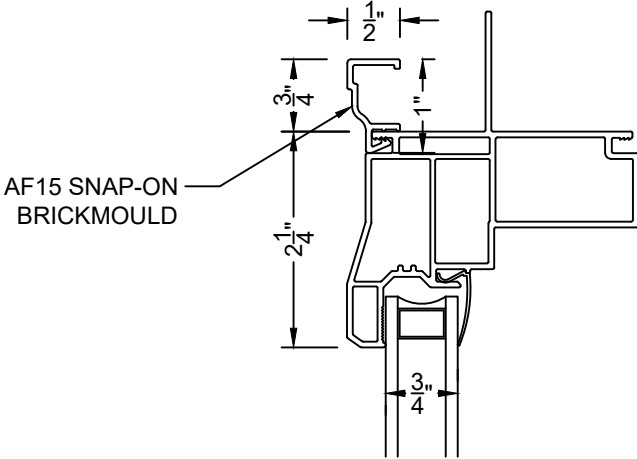
④ INTERMEDIATE JAMB
PW810



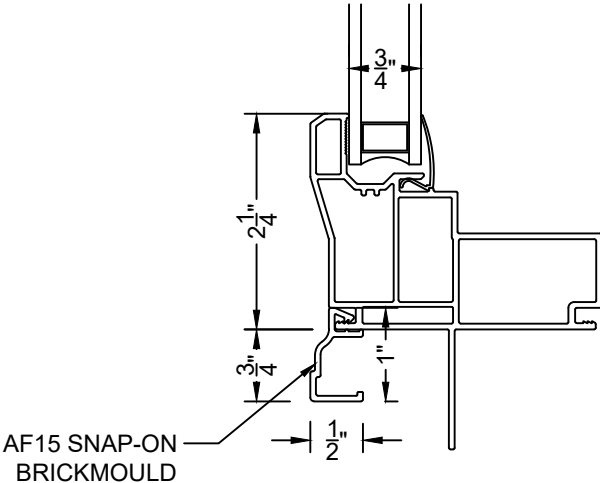
TRIPLE PW810

VER: 2026.03

AF15 SNAP-ON BRICKMOULD

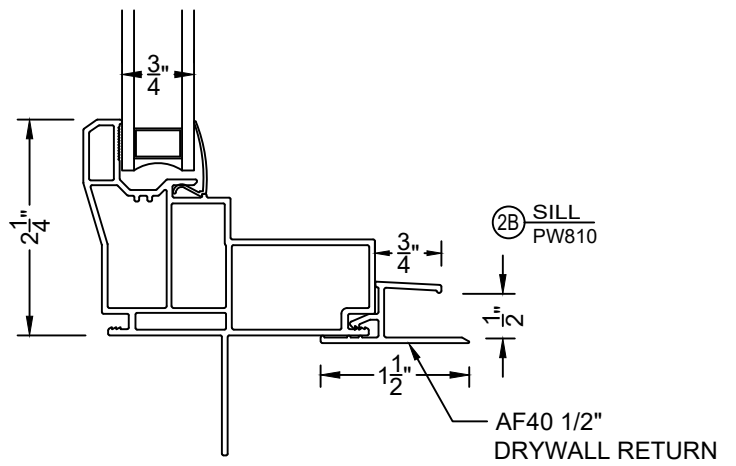
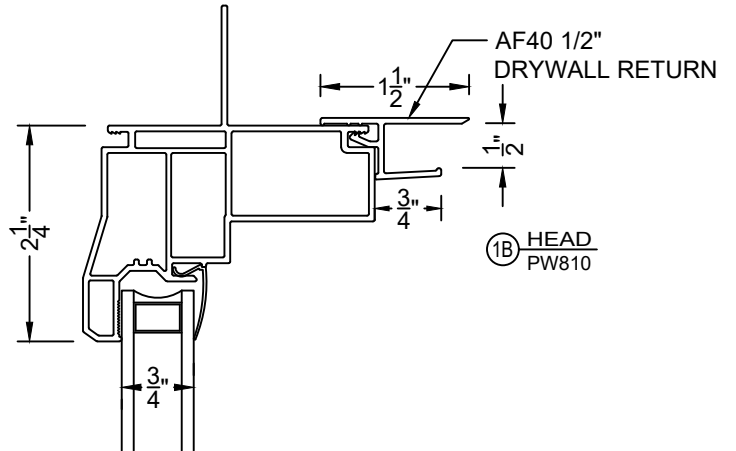


①A HEAD
PW810

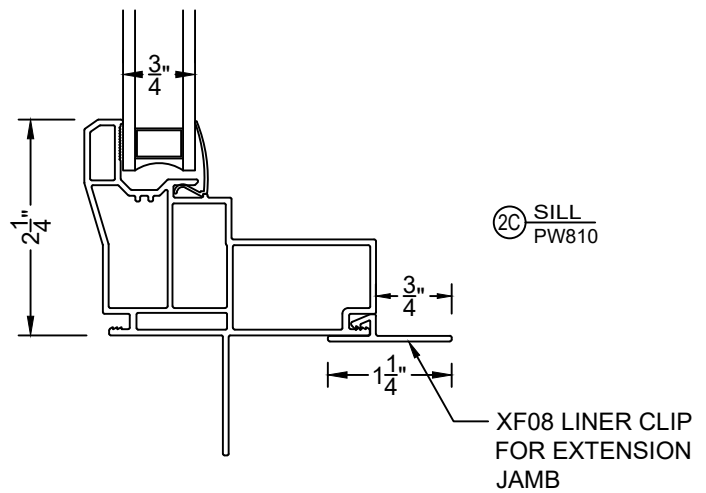
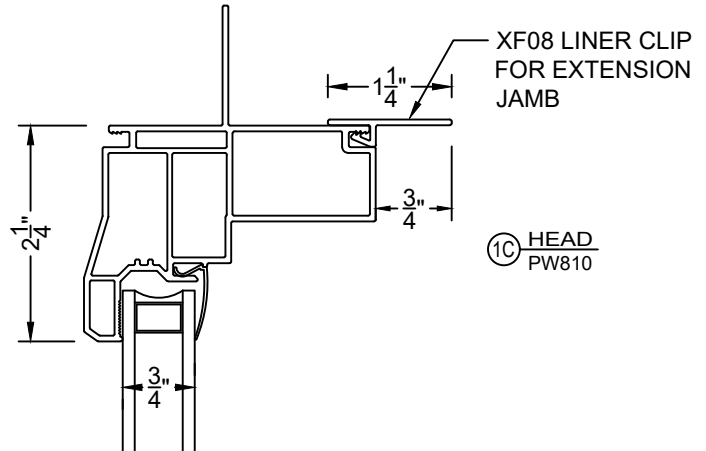


②A SILL
PW810

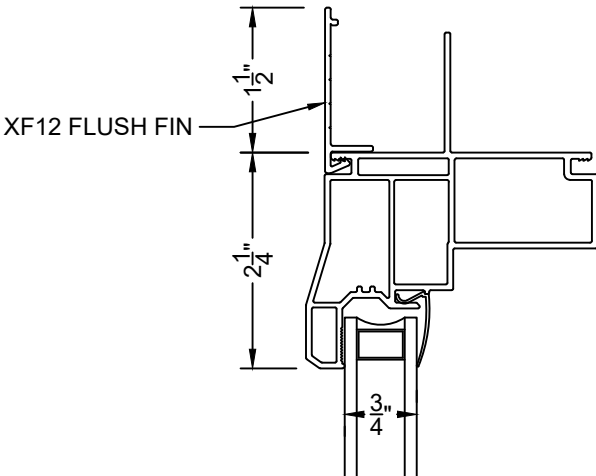
AF40 1/2" DRYWALL RETURN



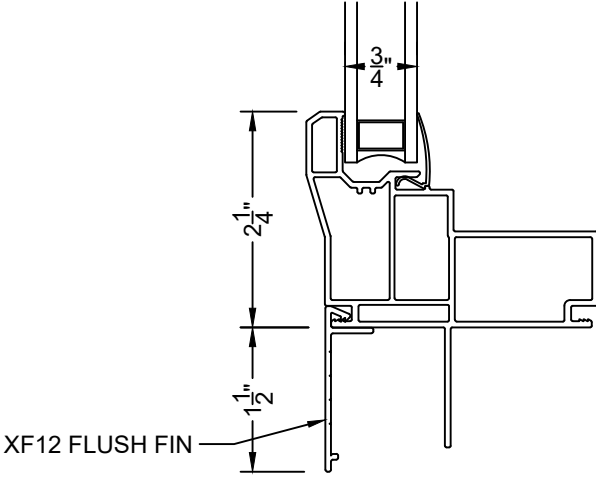
XF08 LINER CLIP FOR EXTENSION JAMB



XF12 FLUSH FIN

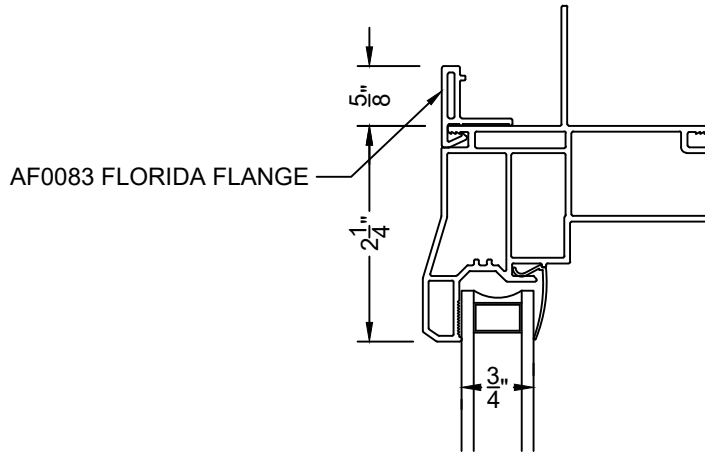


①D HEAD
PW810

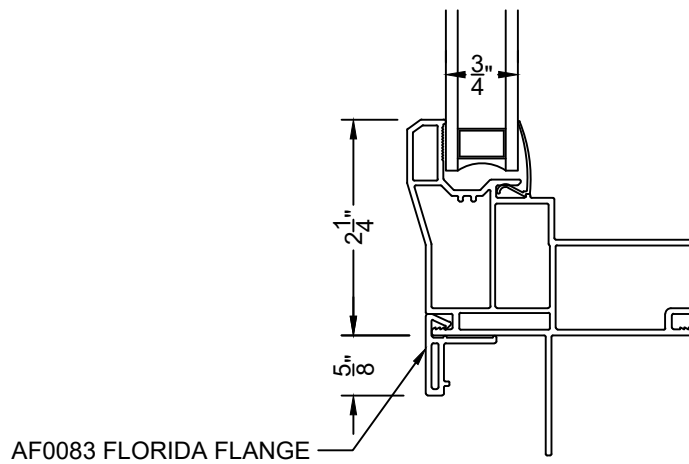


②D SILL
PW810

AF0083 J CHANNEL / FLORIDA FLANGE (AF66 FLORIDA FLANGE no nub)



①E HEAD
PW810



②E SILL
PW810