

VINYL SERIES 820 SLIDER WINDOWS

TEST SIZE W x H	AAMA RATING	AIR INFILTRATION	DESIGN PRESSURE	WATER RESISTANCE	U-VALUE	SHGC	VT
60" x 54"	R-PG30	≤30 cfm/ft ²	30 psf	4.60 psf	0.24-0.47	0.21-0.64	0.47-0.67

TABLE OF CONTENT

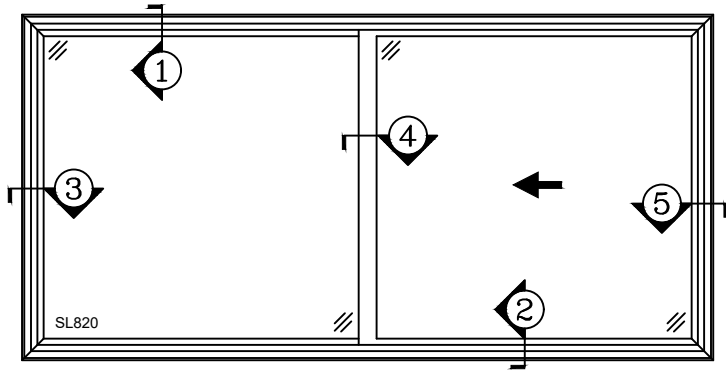
- INTRODUCTION -P1
- SECTION DETAILS -P2-P3
- ACCESSORY OPTIONS -P4-P8

FEATURES

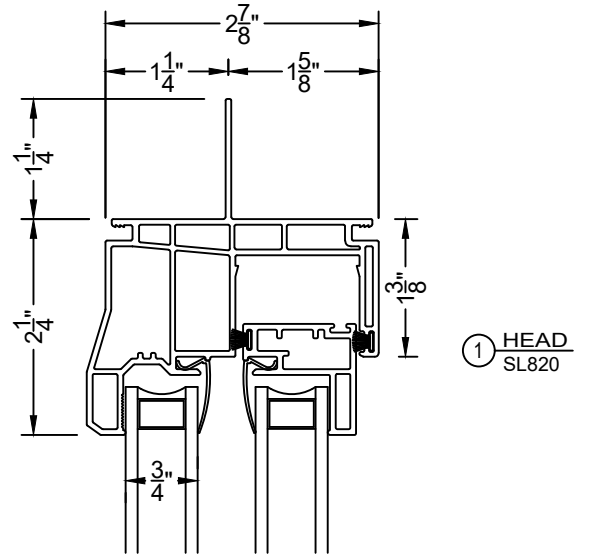
- 2-7/8" FRAME DEPTH
- 3/4" INSULATED GLASS
- LOW-E COATING AND ARGON FILLED IGU
- FUSION WELDED FRAME
- INTEGRAL NAILING FIN
- MEETING RAIL LOCK
- REMOVABLE SASH - SAFE, EASY CLEANING
- HALF SCREEN

OPTIONAL SELECTIONS

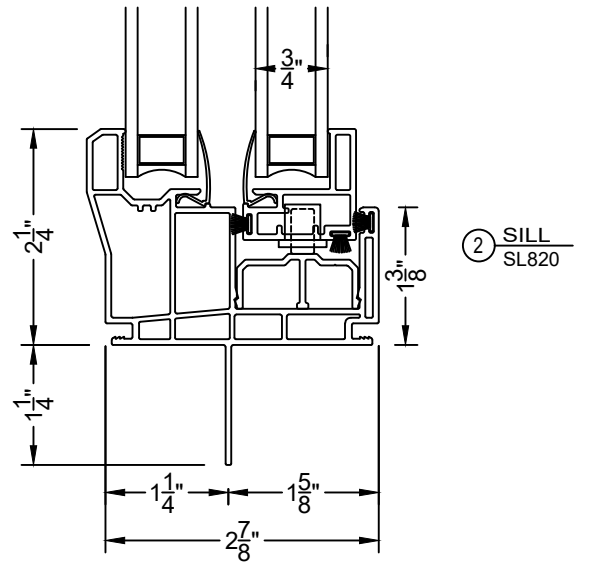
- BLACK AND BRONZE CAPSTOCK
- OTHER OPTIONAL ACCESSORIES



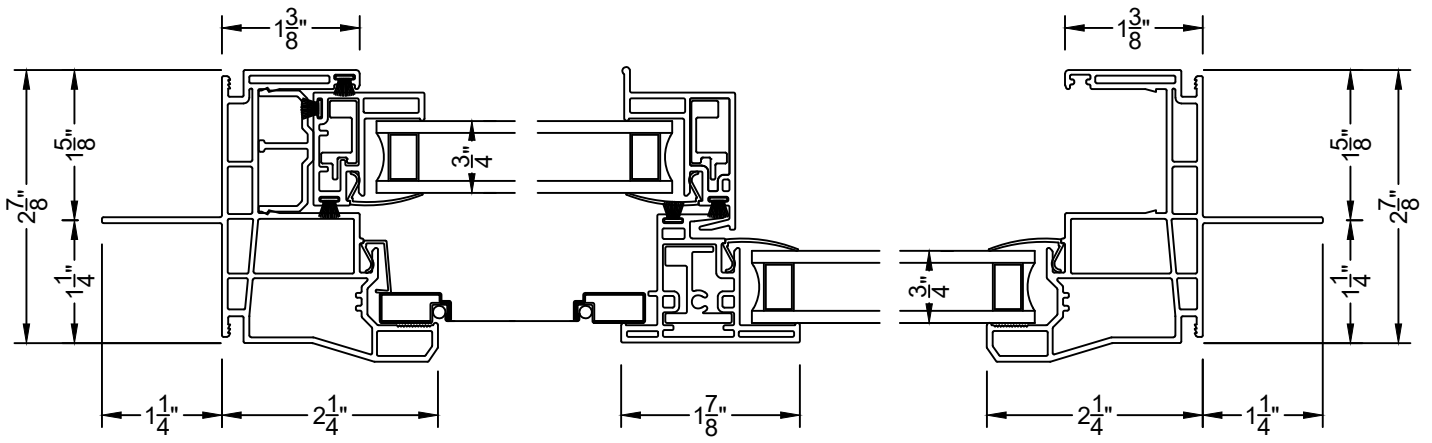
820-2 TWO-LITE SLIDER



① HEAD
SL820



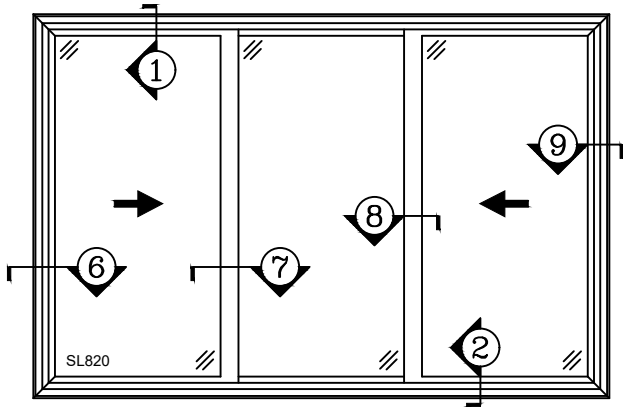
② SILL
SL820



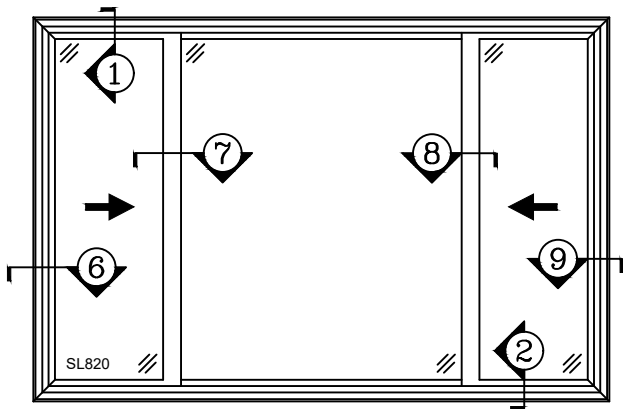
③ JAMB
SL820

④ MEETING RAIL
SL820

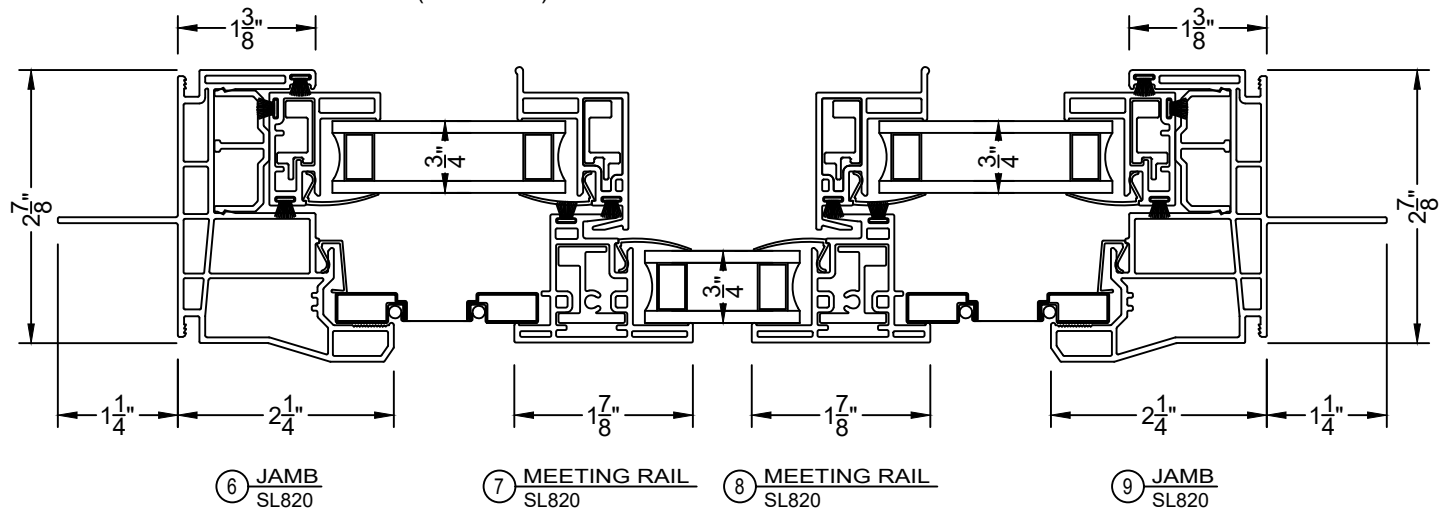
⑤ JAMB
SL820



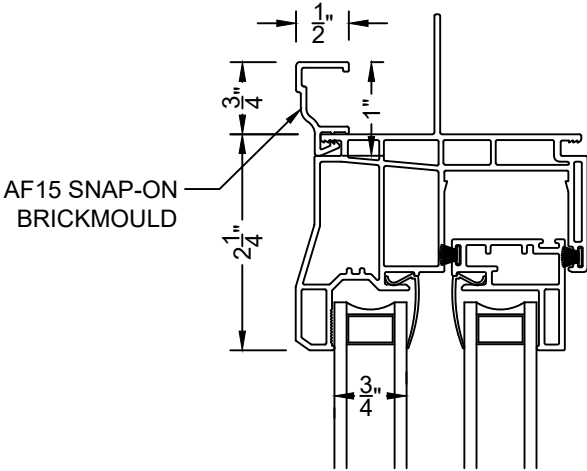
820-3 THREE-LITE SLIDER X-O-X
(EQUAL 1/3, 1/3, 1/3)



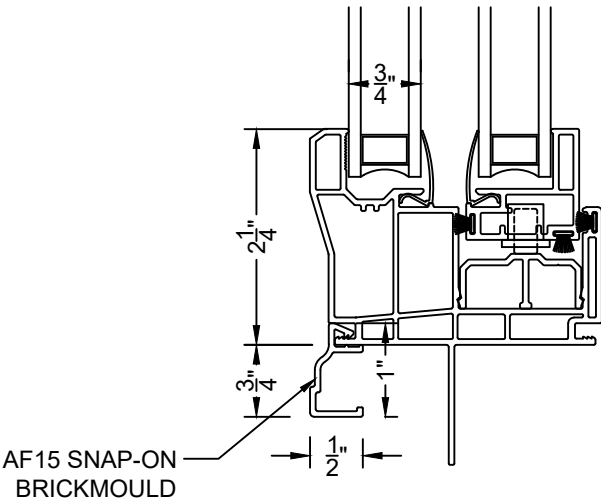
820-3 THREE-LITE SLIDER X-O-X (UNEQUAL)



AF15 SNAP-ON BRICKMOULD

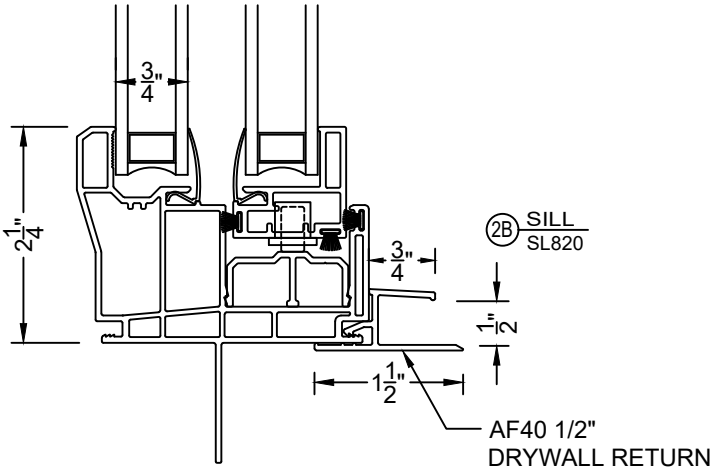
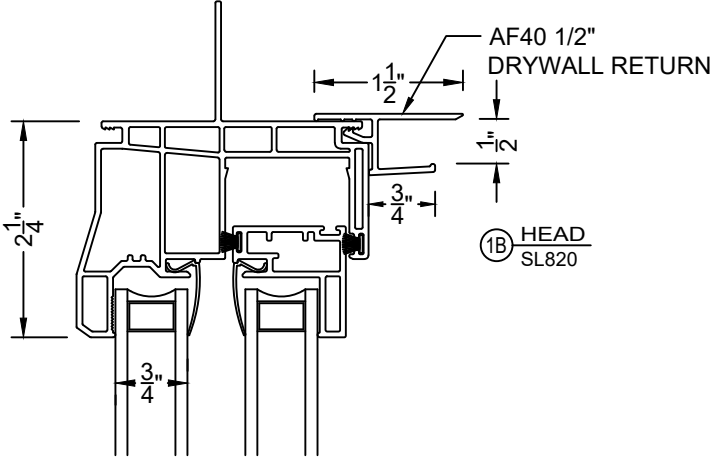


①A HEAD
SL820

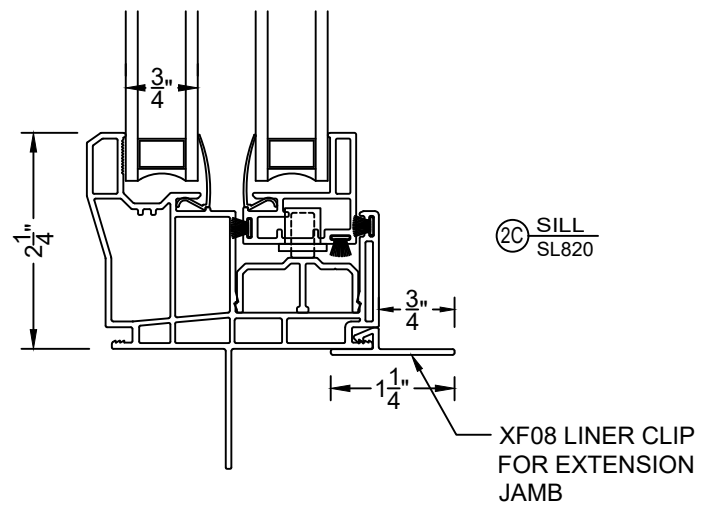
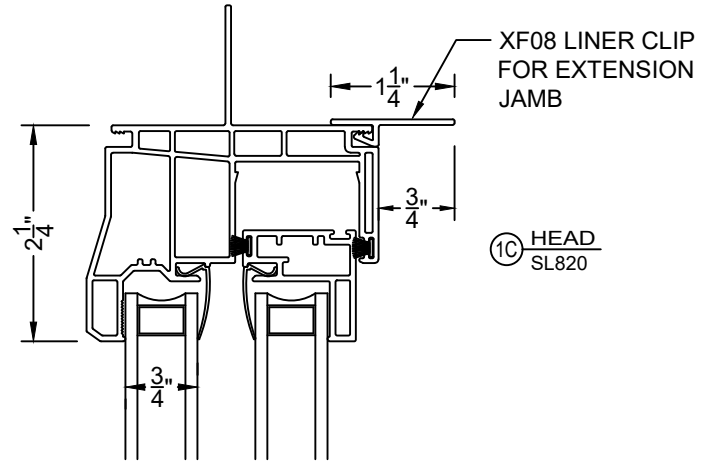


②A SILL
SL820

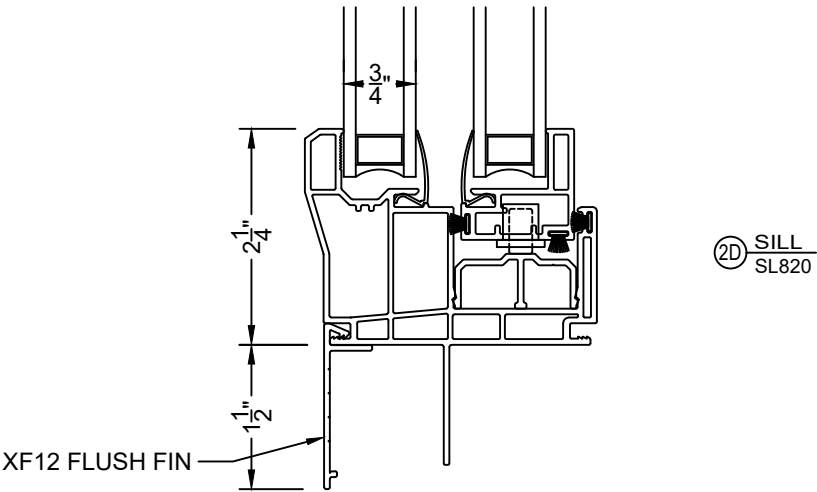
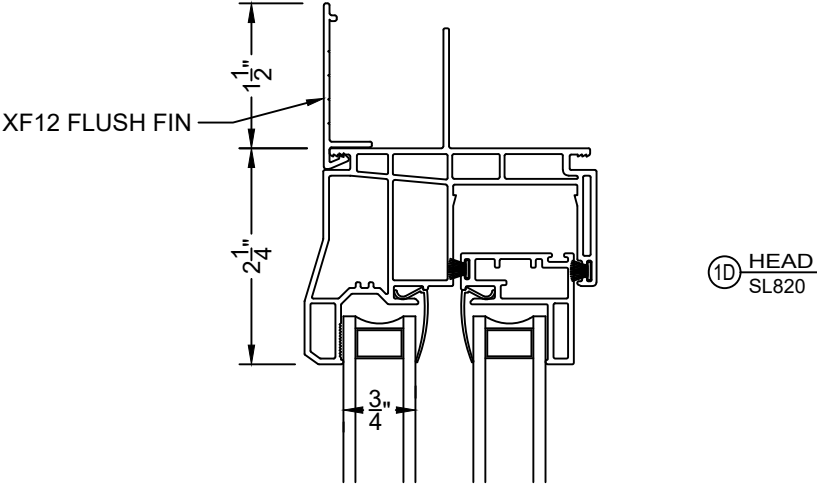
AF40 1/2" DRYWALL RETURN



XF08 LINER CLIP FOR EXTENSION JAMB



XF12 FLUSH FIN



AF0083 J CHANNEL / FLORIDA FLANGE (AF66 FLORIDA FLANGE no nub)

